

Marine High-speed Diesel Engine

WP2.1-WP3.9 Series Marine Diesel Engine

WP2.1-WP3.9 series marine engine is modified based on international advanced technology. According to the standard, rule and customers' requirements, we improved combustion system, inlet and outlet system, cooling system and power output system. As power used for small yacht, short sea fish boat and short sea or inland river transport ship. The products are mainly produced in Weichai Power Yangzhou Diesel Engine CO.,LTD.



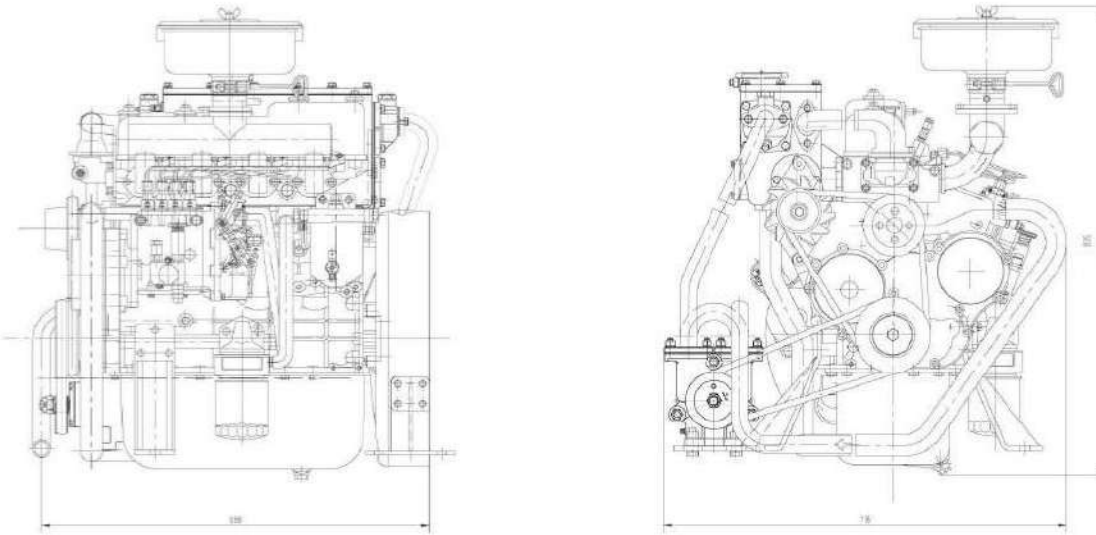
Technical Parameters

Model	WP2.1	WP3.9
Type	In line, direct injection, 4 strokes, double-circulation water cooled	
Cylinder numbers	4	4
Bore(mm)	85	102
Stroke(mm)	92	118
Displacement(L)	2.088	3.86
Compression ratio	18:1	17.5:1
Min. steady idling speed(r/min)	830	650
Min. fuel consumption(g/kW.h)	≤215	≤235
Oil consumption(g/kW.h)		≤0.8
Smoke intensity(Bosch)		≤3.5
Emission		IMO Tier II
Noise[dB(A)]	≤106	≤109
Crankshaft rotating direction (face to flywheel)		Anticlockwise
Fire Sequence		1-3-4-2
Starting method		Electrical
Net weight(kg)	220	450
Overhaul life(h)		> 6000

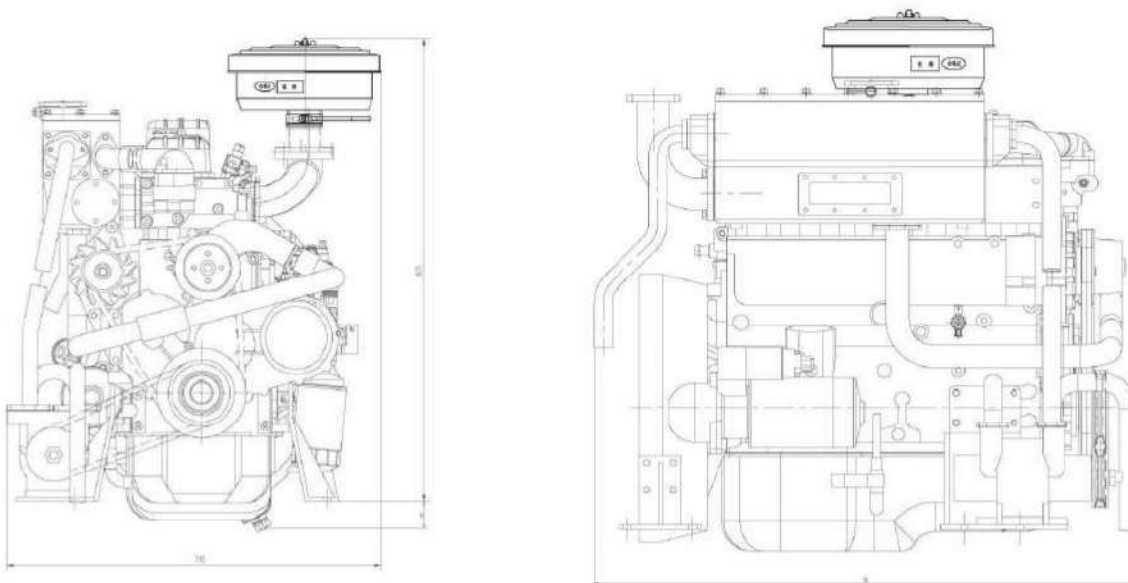
Model List

Model	Rated power Ps (kW)	Rated speed r/min	Intake method	Power output type	Application
WP2.1C27E1	27(20)	2000	Natural aspirated	SAE3/10	Marine main engine
WP2.1C35E1	35(26)	2700	Natural aspirated	SAE3/10	Marine main engine
WP3.9C53E1	53(38)	2000	Natural aspirated	SAE3/10	Marine main engine
WP3.9C61E1	61(45)	2400	Natural aspirated	SAE3/10	Marine main engine

Overall Dimensions of WP2.1 Series



Overall Dimensions of WP3.9 Series



DEUTZ WP4/6 Series Marine Diesel Engine

226B series engine is a kind of high-speed diesel engine manufactured by the joint venture company established by Weichai Power and DEUTZ AG. Based on the 226B series engine, WP4/6 series engine was developed by enlarging the stroke and optimizing design. It is characterized by compact structure, reliable performance, advanced economic, simple operation and convenient maintenance, etc. It is mainly used as the main engine or the auxiliary engine of the ship.



■ Technical Parameters

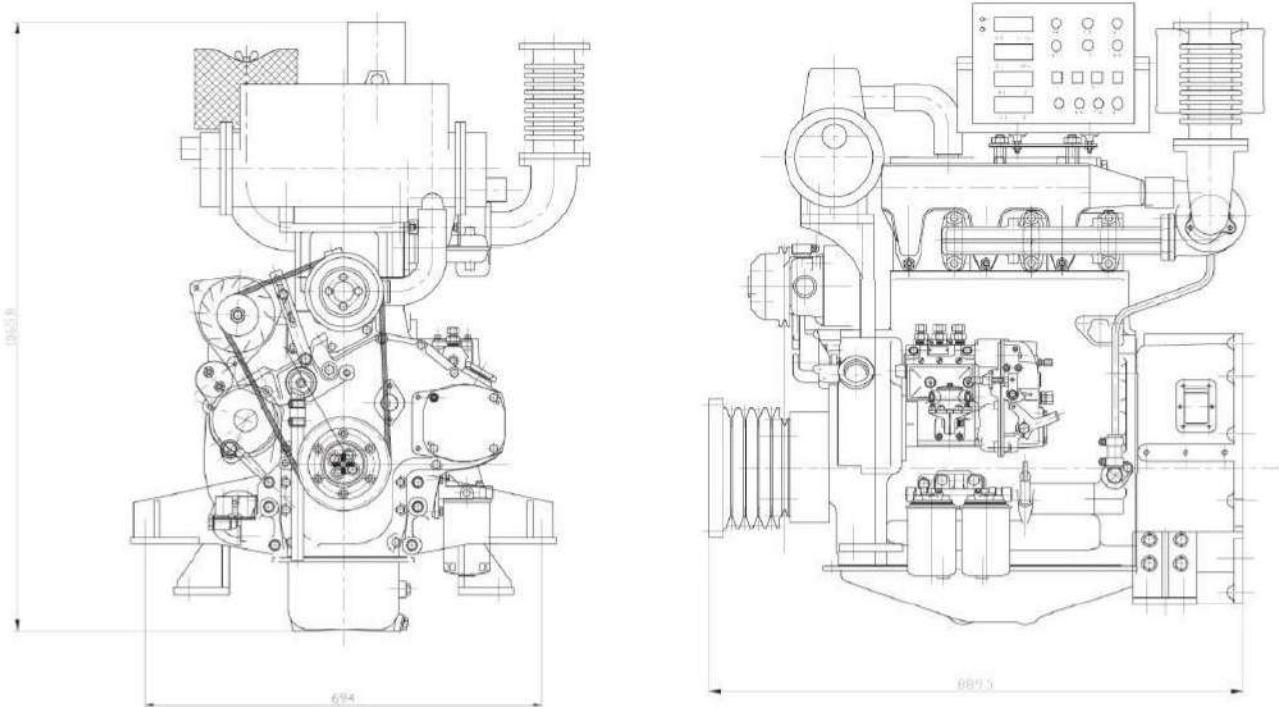
Model	226B-3C	WP4	WP6
Type	In line, direct injection, 4 strokes, double-circulation water cooled		
Cylinder numbers	3	4	6
Bore(mm)	105		105
Stroke(mm)	120		130
Displacement(L)	3.12	4.5	6.75
Compression ratio	16		18
Min. steady working speed(r/min)	675		675
Min. steady idling speed(r/min)	600		650
Min. fuel consumption(g/kW.h)	≤200		≤200
Oil consumption(g/kW.h)	≤1.36		≤0.5
Smoke intensity(Bosch)	≤1.5		≤1.0
Emission	IMO Tier II		IMO Tier II
Noise[dB(A)]	≤111		≤117
Crankshaft rotating direction (face to flywheel)		Anticlockwise	
Fire Sequence	1-3-2	1-3-4-2	1-5-3-6-2-4
Starting method		Electrical	
Oil sump capacity(L)	7.25	10	18
Net weight(kg)	400	600	750
Overhaul life(h)		12000	

■ Model List

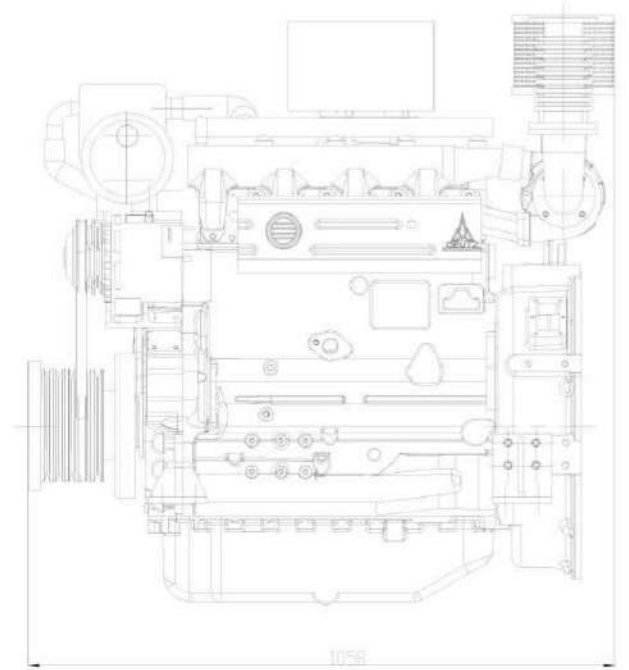
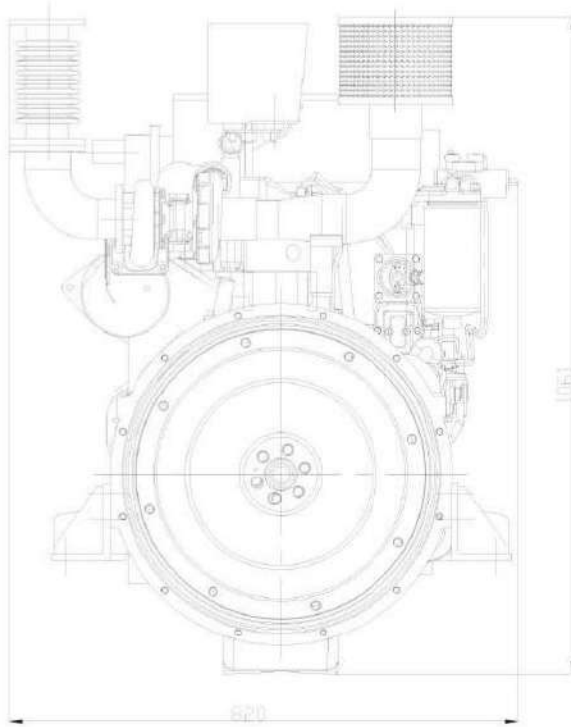
Model	Rated power Ps (kW)	Rated speed r/min	Intake method	Power output type	Application
D226B-3C1	48(35)	1800	Natural aspirated	SAE3/11.5	Marine main engine
TD226B-3C	54(40)	1500	Turbocharged	SAE3/11.5	Marine main engine
TD226B-3C1	68(50)	1800	Turbocharged	SAE3/11.5	Marine main engine
WP4C82-15	82(60)	1500	Turbocharged	SAE1/14	Marine main engine
*WP4C95-18	95(70)	1800	Turbocharged	SAE1/14	Marine main engine
WP4C102-21	102(75)	2100	Turbocharged	SAE1/14	Marine main engine
*WP4C120-18	120(88)	1800	Turbocharged and intercooled	SAE1/14	Marine main engine
WP6C122-15	122(90)	1500	Turbocharged	SAE1/14	Marine main engine
*WP6C142-18	142(105)	1800	Turbocharged	SAE1/14	Marine main engine
WP6C156-21	156(115)	2100	Turbocharged	SAE1/14	Marine main engine
WP6C150-15	150(110)	1500	Turbocharged and intercooled	SAE1/14	Marine main engine
* WP6C165-18	165(122)	1800	Turbocharged and intercooled	SAE1/14	Marine main engine
WP6C185-21	185(136)	2100	Turbocharged and intercooled	SAE1/14	Marine main engine
WP6C140-23	140(103)	2300	Turbocharged	SAE1/14	yacht
WP6C163-23	163(120)	2300	Turbocharged	SAE1/14	yacht
WP6C198-23	198(145)	2300	Turbocharged and intercooled	SAE1/14	yacht
WP6C220-23	220(162)	2300	Turbocharged and intercooled	SAE1/14	yacht
WP6C250-25	228(168)	2425	Turbocharged and intercooled	SAE1/14	yacht

* Recommend Models

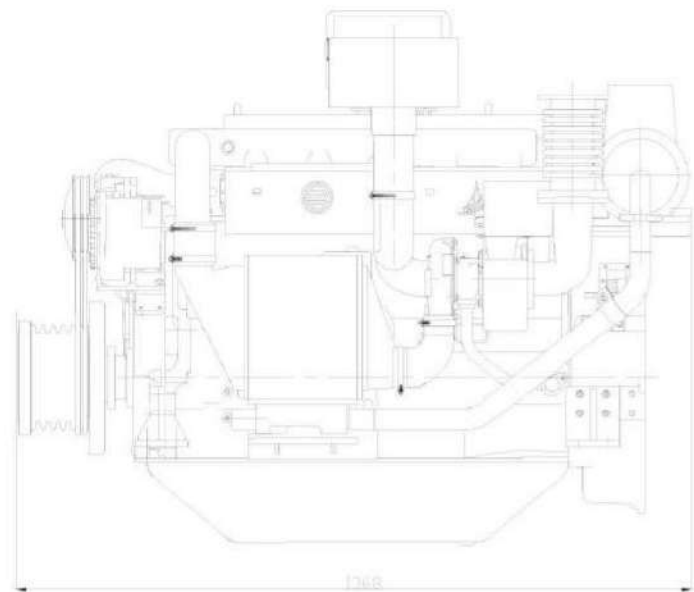
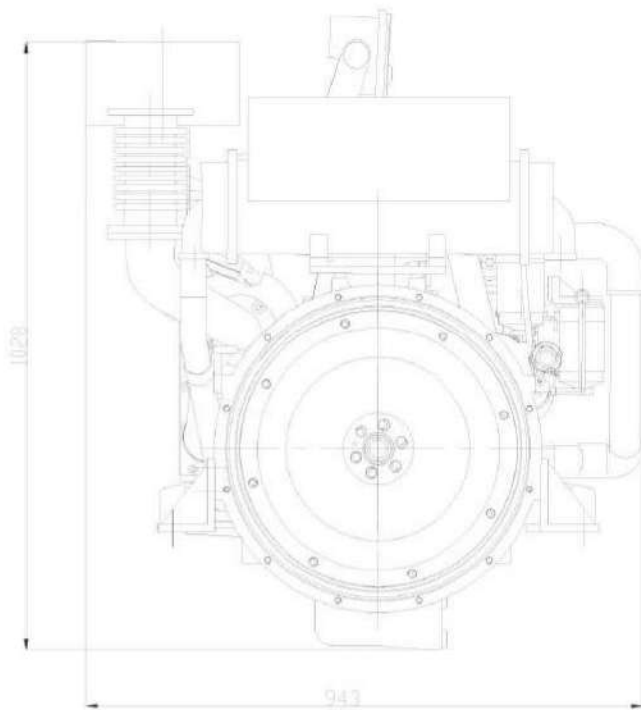
Overall Dimensions of TD226B-3C Series



Overall Dimensions of WP4 Series



Overall Dimensions of WP6 Series



WD10/12/WP12 Series Marine Diesel Engine

Weichai WD10/12/WP12 series marine diesel engine has inherited the high-configure strategy of vehicle diesel engine, based on the characteristics and use for marine power configuration and requirements, with a new design optimized for the special dedicated design and development of marine energy saving diesel engine. It is the river shipping, fishing, boats and other vessels the best match official power.



■ Technical Parameters

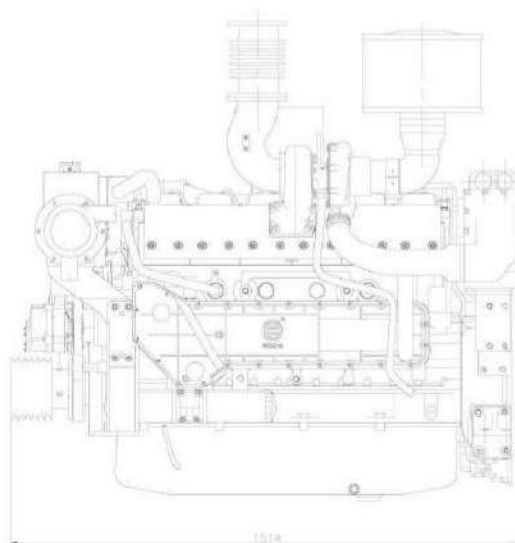
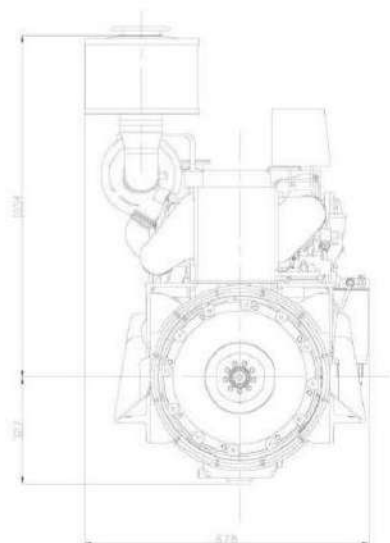
Model	WD10	WD12	WP12
Type	In line, direct injection, 4 strokes, double-circulation water cooled		
Cylinder numbers	6	6	6
Bore(mm)	126	126	126
Stroke(mm)	130	155	155
Displacement(L)	9.726	11.596	11.596
Compression ratio	17	17	17
Min. steady working speed(r/min)	675	675	675
Min. steady idling speed(r/min)	650	650	650
Min. fuel consumption(g/kW.h)	≤ 198	≤ 198	≤ 194
Oil consumption(g/kW.h)	≤ 0.5	≤ 0.5	≤ 0.5
Smoke intensity(Bosch)	≤ 1.0	≤ 1.0	≤ 1.0
Emission	IMO Tier II		
Noise[dB(A)]	≤ 117	≤ 117	≤ 119
Crankshaft rotating direction (face to flywheel)	Anticlockwise		
Fire Sequence	1-5-3-6-2-4		
Starting method	Electrical		
Oil sump capacity(L)	24	24	36
Net weight(kg)	1056	1100	1200

■ Model List

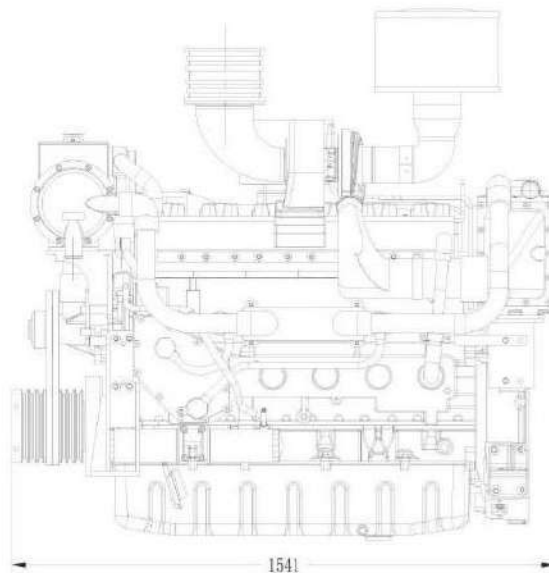
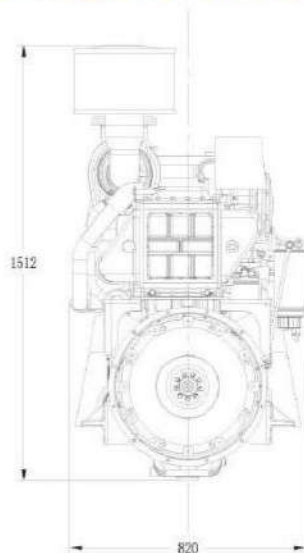
Model	Rated power Ps (kW)	Rated speed r/min	Intake method	Power output type	Application
WD10C170-15	170(125)	1500	Turbocharged	SAE1/14	Marine main engine
WD10C190-15	190(140)	1500	Turbocharged and intercooled	SAE1/14	Marine main engine
WD10C218-15	218(160)	1500	Turbocharged and intercooled	SAE1/14	Marine main engine
WD10C240-15	240(176)	1500	Turbocharged and intercooled	SAE1/14	Marine main engine
WD10C258-15	258(190)	1500	Turbocharged and intercooled	SAE1/14	Marine main engine
WD10C278-15	278(205)	1500	Turbocharged and intercooled	SAE1/14	Marine main engine
WD10C190-18	190(140)	1800	Turbocharged	SAE1/14	Marine main engine
*WD10C200-18	200(147)	1800	Turbocharged	SAE1/14	Marine main engine
*WD10C240-18	240(176)	1800	Turbocharged and intercooled	SAE1/14	Marine main engine
*WD10C278-18	278(205)	1800	Turbocharged and intercooled	SAE1/14	Marine main engine
*WD10C312-18	312(230)	1800	Turbocharged and intercooled	SAE1/14	Marine main engine
WD10C200-21	200(147)	2100	Turbocharged	SAE1/14	Marine main engine
WD10C278-21	278(205)	2100	Turbocharged and intercooled	SAE1/14	Marine main engine
WD10C300-21	300(220)	2100	Turbocharged and intercooled	SAE1/14	Marine main engine
WD10C326-21	326(240)	2100	Turbocharged and intercooled	SAE1/14	Marine main engine
WD12C300-15	300(220)	1500	Turbocharged and intercooled	SAE1/14	Marine main engine
WD12C327-15	327(240)	1500	Turbocharged and intercooled	SAE1/14	Marine main engine
WD12C300-18	300(220)	1800	Turbocharged and intercooled	SAE1/14	Marine main engine
WD12C327-18	327(240)	1800	Turbocharged and intercooled	SAE1/14	Marine main engine
*WD12C350-18	350(258)	1800	Turbocharged and intercooled	SAE1/14	Marine main engine
WD12C375-21	375(275)	2150	Turbocharged and intercooled	SAE1/14	Marine main engine
WD12C400-21	400(294)	2150	Turbocharged and intercooled	SAE1/14	Marine main engine
WP12C350-15	350(258)	1500	Turbocharged and intercooled	SAE1/14	Marine main engine
*WP12C400-18	400(295)	1800	Turbocharged and intercooled	SAE1/14	Marine main engine
WP12C450-21	450(330)	2100	Turbocharged and intercooled	SAE1/14	Marine main engine
WP12C500-21	500(368)	2100	Turbocharged and intercooled	SAE1/14	yacht
WP12C550-21	550(405)	2100	Turbocharged and intercooled	SAE1/14	yacht

* Recommend Models

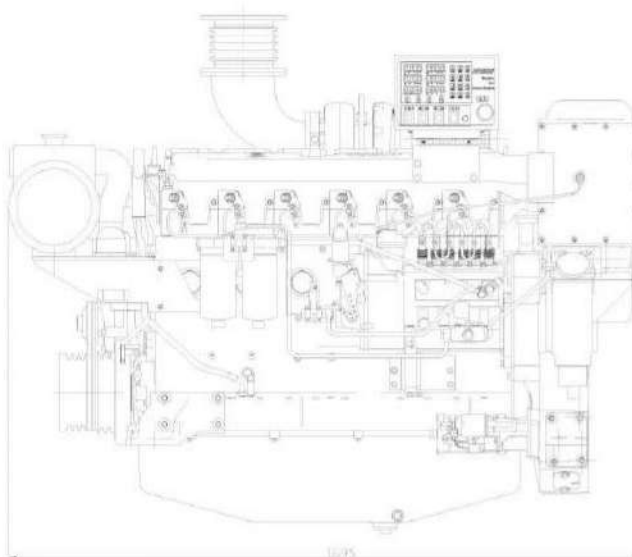
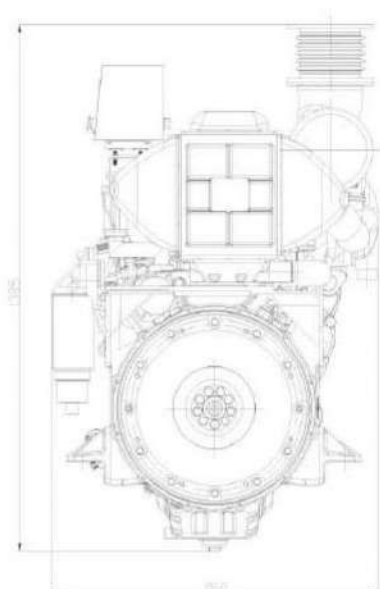
Overall Dimensions of WD10 Series



Overall Dimensions of WD12 Series



Overall Dimensions of WP12 Series



M26 Series Marine Diesel Engine

Baudouin company has the excellent solutions for marine powertrain system. Baudouin company became the WEICHAI wholly-owned subsidiaries at the end of 2008. The Baudouin products are imported with original packaging to China in 2010. We can provide perfect power for worldwide customers, with perfect match of Baudouin company's excellent solutions for marine powertrain system and professional efficient service network of Weichai.

MOTEURS
Baudouin



6M26



12M26

Model List

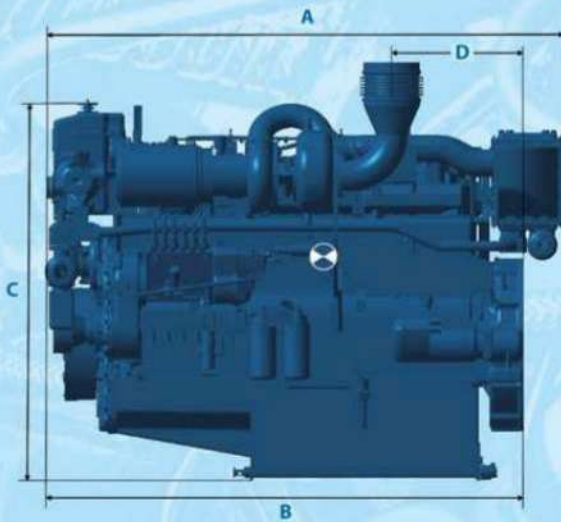
Model	Rated power Ps (kW)	Rated speed r/min	Intake method	Power output type	Application
6M26C450-18	450(330)	1800	Turbocharged and intercooled	SAE1/14	Marine main engine
6M26C500-18	500(368)	1800	Turbocharged and intercooled	SAE1/14	Marine main engine
6M26C550-18	550(405)	1800	Turbocharged and intercooled	SAE1/14	Marine main engine
8M26C650-18	650(478)	1800	Turbocharged and intercooled	SAE0/14	Marine main engine
8M26C700-18	700(515)	1800	Turbocharged and intercooled	SAE0/14	Marine main engine
8M26C750-18	750(551)	1800	Turbocharged and intercooled	SAE0/14	Marine main engine
12M26C900-18	900(662)	1800	Turbocharged and intercooled	SAE0/18	Marine main engine
12M26C1000-18	1000(736)	1800	Turbocharged and intercooled	SAE0/18	Marine main engine
12M26C1100-18	1100(808)	1800	Turbocharged and intercooled	SAE0/18	Marine main engine

Technical Parameters

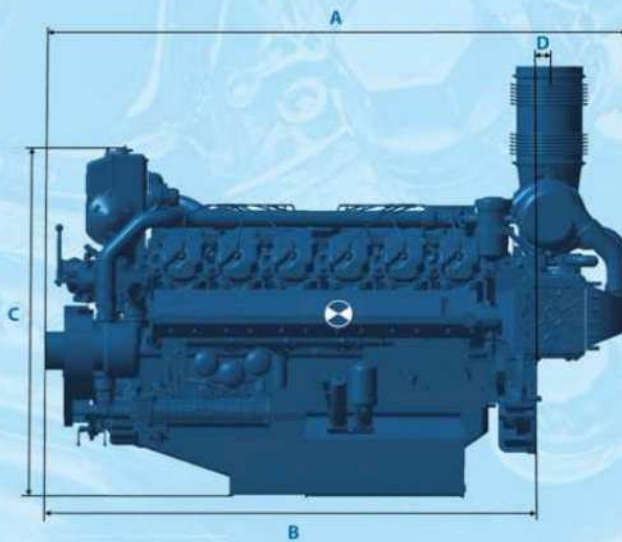
Model	6M26	8M26	12M26
Type	direct injection,4 strokes,double-circulation water cooled		
Cylinder numbers	L6	L8	V12
Bore(mm)	150	150	150
Stroke(mm)	150	150	150
Displacement(L)	15.9	21.2	31.8
Compression ratio	14	14	14
Min. steady working speed(r/min)	810	810	810
Min. steady idling speed(r/min)	700	700	700
Min. fuel consumption(g/kW.h)	≤213	≤213	≤213
Oil consumption(g/kW.h)	≤1.0	≤1.0	≤1.0
Smoke intensity(Bosch)	≤1.0	≤1.0	≤1.0
Emission	IMO Tier II		
Crankshaft rotating direction (face to flywheel)	Anticlockwise		
Fire Sequence	1-5-3-6-2-4		1-8-5-10-3-7-6-11-2-9-4-12
Starting method	Electrical start		
Oil sump capacity(L)	70		133
Net weight(kg)	1870		3180

Overall Dimensions of M26 Series

6 M26



12 M26



	A	B	C	D	E	F	G
6M26	1870	1722	1385	500	913	497	1095
8M26	1934	1583	1464	135.5	999	533	1468
12M26	2433	2044	1462	49	1276	534	1521

Connections

	seawater inlet (mm)	seawater outlet (mm)	Exhaust (mm)
6M26	int ϕ 63.5	int ϕ 50	int ϕ 194/ext ϕ 205
8M26	int ϕ 76.1	int ϕ 76.1	int ϕ 260/ext ϕ 278
12M26	int ϕ 76.1	int ϕ 76.1	int ϕ 260/ext ϕ 278