

Rear Panel (Optional)

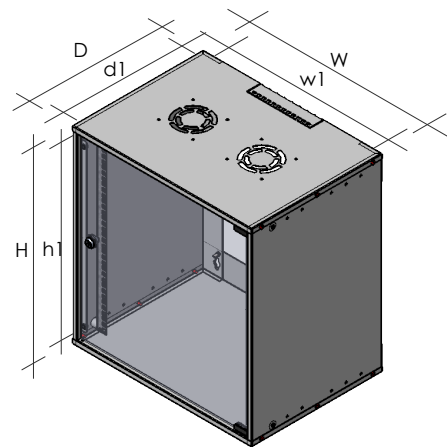
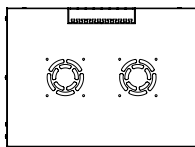
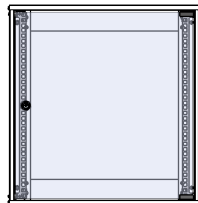
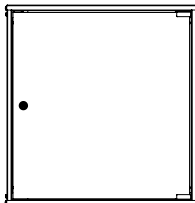
Soho Cabinet

Technical Details

Material	0,8 mm steel
Color	RAL 7035 or RAL 9005
Maximum Static Load	Up to 80 kg.
Finish	Electrostatic Powder Paint

Standard Configuration:

- Steel Frame
- Glass door with cylindrical lock
- 1 pair of 19" mounting rails
- Low cost alternative
- RoHS compliant, UL certified
- Solid, lightweight and ergonomic
- The glass door is concealed inside the cabinet and to minimize the risk of impact from the edges.
- Easy to assemble and flatpack option available



Order Information

Height U	Outer Width (W) mm	Outer Depth (D) mm	Outer Height (H) mm	Inner Width (w1) mm	Inner Depth (d1)mm	Inner Height (h1) mm	Product Part No	Back Cover Part No
4U	545	400	221	485	380	189	WC1S-X-04J4F	WSZ-X-04JY0-0901
6U	545	400	323	485	380	278	WC1S-X-06J4F	WSZ-X-06JY0-0901
6U	600	600	323	540	580	278	WC1S-X-0666F	WSZ-X-066Y0-901
7U	545	400	355	485	380	323	WC1S-X-07J4F	WSZ-X-07JY0-0901
9U	545	400	444	485	380	412	WC1S-X-09J4F	WSZ-X-09JY0-0901
12U	545	400	577	485	380	545	WC1S-X-12J4F	WSZ-X-12JY0-0901
15U	545	400	710	485	380	678	WC1S-X-15J4F	WSZ-X-15JY0-0901
12U	545	600	577	485	580	545	WC1S-X-12J6F	WSZ-X-12JY0-0901
15U	545	600	710	485	580	678	WC1S-X-15J6F	WSZ-X-15JY0-0901

(Color Code): 7:RAL 7035 Light Grey, 9:RAL 9005 Black