

Spare parts catalogue

BWone-CTM-RF / BWone-CTM



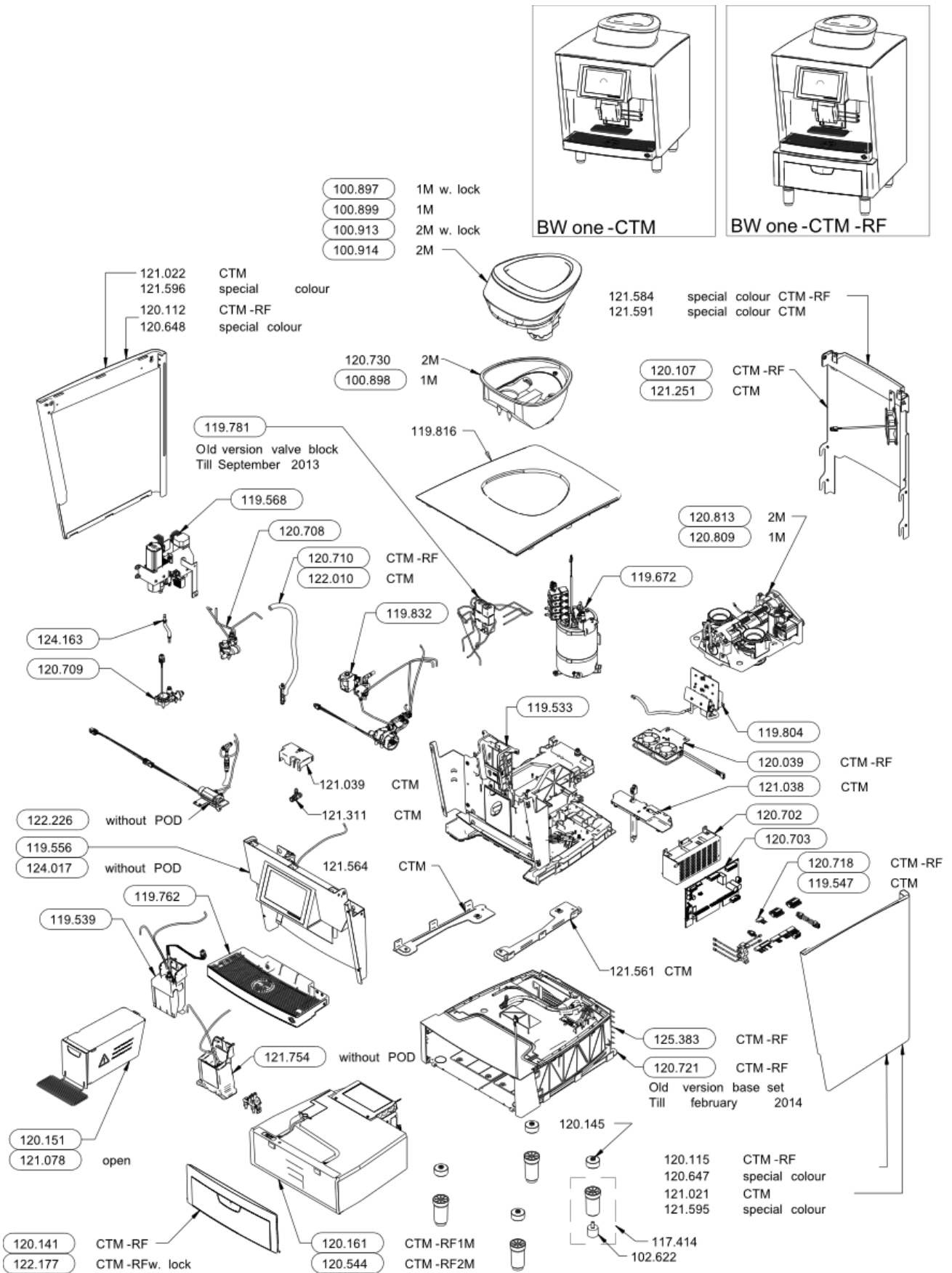
Content

1 BWone-CTM-RF / BWone-CTM.....	4	1.26 Multi-functional block set.....	98
1.1 Chassis BWone assy.	6	1.27 Flow meter block set.....	100
1.2 Base set BWone new.....	8	1.28 Cleaning system set BWone.....	102
1.3 Base set BWone	10	1.29 Milk set BWone	104
1.4 Front door assy. BWone	12	1.30 Pipe set drain CTM-RF	106
1.5 Front door with lock, assy. BWone.....	14	1.31 Switching power sup. 230V/24V 250W set..	108
1.6 External milk single BWone assy.	16	1.32 CPU-Print set BWone	110
1.7 Rear panel assy BWone CT.....	18	1.33 Triac support assy. BWone	112
1.8 Rear panel assy. BWone	20	1.34 Wiring harness BWone CTM-RF.....	114
1.9 Front BWone assy. with tee external	22	1.35 Wiring harness BWone CTM.....	116
1.10 Front BWone assy. without tea	24	1.36 Cooling unit 4L assy. BWone.....	118
1.10.1 Front cover set BWone	26	1.37 Cooling unit 2 milk BWone	120
1.10.2 Touchscreen box with electronics	28	1.38 Support fan assy. BWone	122
1.11 Discharge set BWone	30		
1.12 Outlet POD set BWone	32		
1.13 Grounds Drawer assy. BWone.....	34		
1.14 Grounds Drawer assy. BWone, open.....	36		
1.15 Drain box assy. BWone.....	38		
1.16 Bean hopper 2M cpl.	40		
1.17 Bean hopper cpl. 1M.....	42		
1.18 Bean hopper 2M with lock cpl.	44		
1.19 Bean hopper 1M with lock cpl.	46		
1.20 Bean hopper protection 1 mill, assembly	48		
1.21 Mechanical module 2 mills BWone assy.....	50		
1.21.1 Mill ø54 left, assembly.....	52		
1.21.2 Mill ø54 right, assembly	54		
1.21.3 Brew unit small assy.	56		
1.21.3.1 Brew chamber with piston, assy.....	58		
1.21.3.2 Rear block assy.....	60		
1.21.3.3 Front block, assy.....	62		
1.22 Mechanical module 1 mill BWone assy.....	64		
1.22.1 Mill ø54 right, assembly	66		
1.22.2 Brew unit small assy.	68		
1.22.2.1 Brew chamber with piston, assy.....	70		
1.22.2.2 Rear block assy.....	72		
1.22.2.3 Front block, assy.....	74		
1.23 Boiler CTM BWone set.....	76		
1.23.1 Coffee boiler CTM BWone assy.....	78		
1.23.2 Valve block BWone set	80		
1.24 Valveblock BWone set	82		
1.25 Pump unit BWone assy.....	84		
1.25.1 Milk pump Inox set	86		
1.25.1.1 Milk Pump inox with motor assy.....	88		
1.25.1.1.1 3/2 mini solenoid valve, assy.	90		
1.25.2 Cleaning block without purge valve assy. .	92		
1.25.3 Micropump set.....	94		
1.25.4 Pump support BWone (1x Procon) assy...	96		

1 BWone-CTM-RF / BWone-CTM

Article no.	Description	Quantity	Article no.	Description	Quantity
100.897	Bean hopper 1M with lock cpl.	1	121.754	Discharge set BWone	1
100.898	Bean hopper protection 1 mill, assembly	1	122.010	Pipe set drain CTM	1
100.899	Bean hopper cplt. 1M	1	122.177	Front door with lock, assy. BWone	1
100.913	Bean hopper 2M with lock cpl.	1	122.226	Cleaning system set BWone	1
100.914	Bean hopper 2M cpl.	1	124.017	Front BWone assy. without tea	1
102.622	Rundbuffer ø30x17/M8x20	1	125.383	Base set BWone new	1
117.414	Frame leg assy.	4			
119.533	Chassis BWone assy.	1			
119.539	Outlet POD set BWone	1			
119.547	Wiring harness BWone CTM	1			
119.547	Wiring harness BWone CTM	1			
119.556	Front BWone assy. with tee external	1			
119.568	Pump unit BWone assy.	1			
119.672	Boiler CTM BWone set	1			
119.762	Drain box assy. BWone	1			
119.781	Valveblock BWone set	1			
119.804	Triac support assy. BWone	1			
119.816	Lid BWone	1			
119.832	Milk set BWone	1			
120.039	Support fan assy. BWone	1			
120.107	Rear panel assy. BWone	1			
120.112	Left side panel BWone alunox	1			
120.115	Right side panel BWone alunox	1			
120.141	Front door assy. BWone	1			
120.145	Foot, assembly	4			
120.151	Grounds Drawer assy. BWone	1			
120.161	Cooling unit 4L assy. BWone	1			
120.544	Cooling unit 2 milk BWone	1			
120.647	Right side panel BWone special color	1			
120.648	Left side panel BWone special color	1			
120.702	Switching power sup. 230V/24V 250W set	1			
120.703	CPU-Print set BWone	1			
120.708	Multi-functional block set	1			
120.709	Flow meter block set	1			
120.710	Pipe set drain CTM-RF	1			
120.718	Wiring harness BWone CTM-RF	1			
120.721	Base set BWone	1			
120.730	Bean hopper protection set	1			
120.809	Mechanical module 1 mill BWone assy.	1			
120.813	Mechanical module 2 mills BWone assy.	1			
121.021	Right side panel BWone CT	1			
121.022	Left side panel BWone CT	1			
121.038	External milk single BWone assy.	1			
121.039	Lid water inlet BWone	1			
121.078	Grounds Drawer assy. BWone, open	1			
121.251	Rear panel assy BWone CT	1			
121.311	Fitting T-form assy.	1			
121.561	Strut at base right set BWone CT	1			
121.564	Strut at base left set BWone CT	1			
121.584	Rear panel assy. BWone	1			
121.591	Rear panel assy. BWone CT special colour	1			
121.595	Right side panel BWone CT special color	1			
121.596	Left side panel BWone CT special color	1			

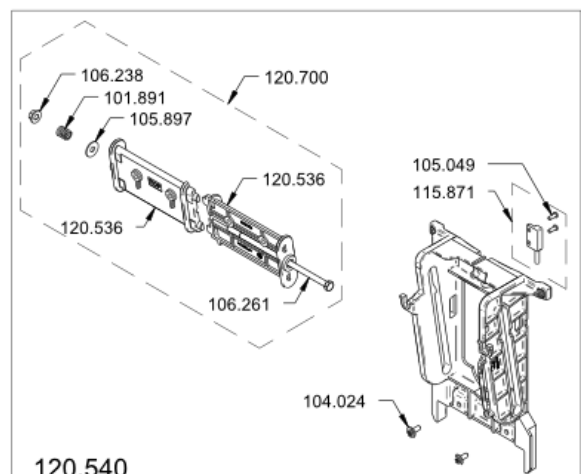
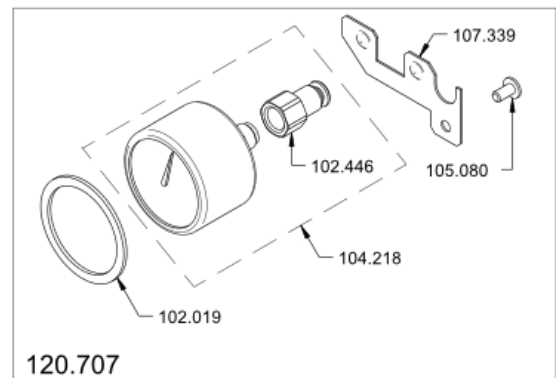
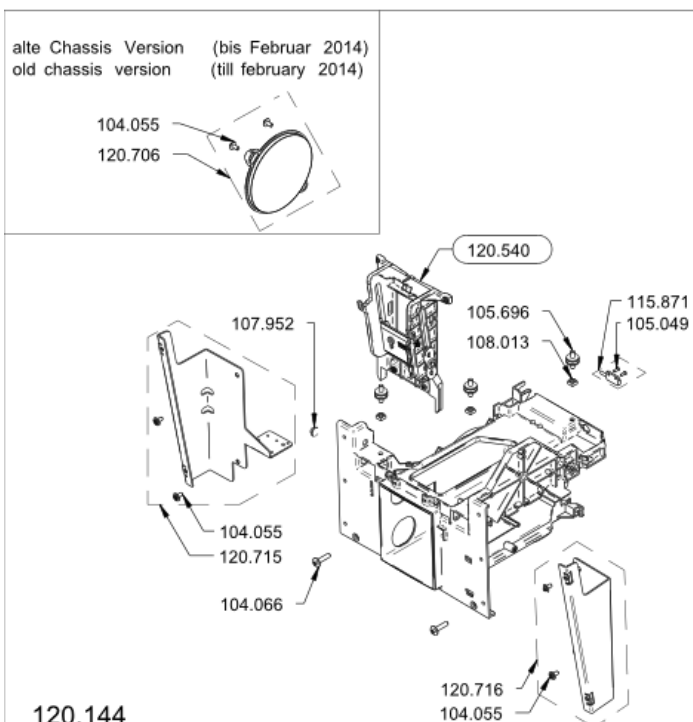
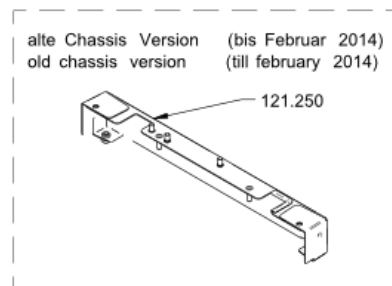
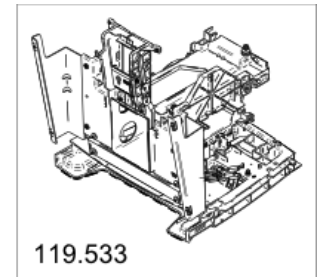
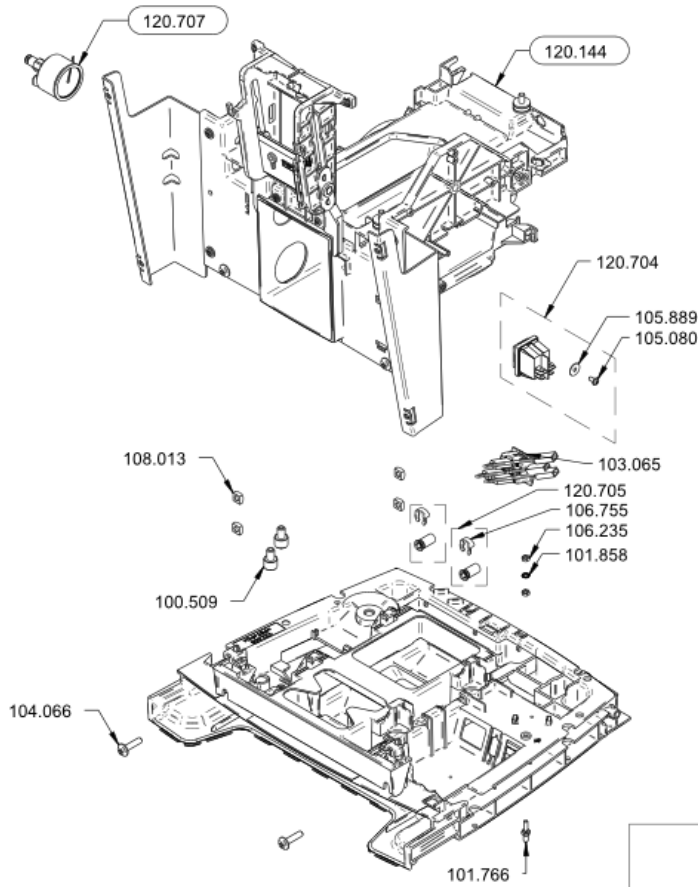
1 BWone-CTM-RF / BWone-CTM



1.1 Chassis BWone assy.

Article no.	Description	Quantity
100.509	Connection for expiration connection	2
101.766	Grounding terminal M5/M4	1
101.858	Serrated lock washer M4	1
101.891	Spring ø8x1.25/15	1
102.019	Flat gasket ø35/42x1.5	1
102.446	Straight fitting 4-1/8"	1
103.065	Wiring harness power input Tiger	1
104.024	Lens head screw M04x10	2
104.055	Oval head screw M5x10 Phillips	2
104.055	Oval head screw M5x10 Phillips	2
104.055	Oval head screw M5x10 Phillips	2
104.066	Oval pan head screw Phi eco-fix M6x25	2
104.066	Oval pan head screw Phi eco-fix M6x25	2
104.218	Manometer 16 bar, assembly	1
105.049	Oval head PT screw Phillips KA30x8	2
105.049	Oval head PT screw Phillips KA30x8	2
105.080	PT-screw KA 40x8 oval head Phillips	1
105.080	PT-screw KA 40x8 oval head Phillips	1
105.696	Bumper ø18x8.5mm M6x11	3
105.889	Washer M4, 1/2forced	1
105.897	Flat washer M5	1
106.235	Nut M4, yellow bras	2
106.238	Hexagonal nuth with flange M5	1
106.261	Hexagon head cap screw M5x125	1
106.755	Circlip ø10	1
107.339	Manometer support	1
107.952	Closing cap ø9.2	1
108.013	Square nut M6	3
108.013	Square nut M6	4
115.871	Reed switch with PT screws	1
115.871	Reed switch with PT screws	1
120.144	Superstructure frame assy	1
120.536	Internal slide couple BWone	1
120.540	Slide POD assy. BWone	1
120.700	Slide POD set	1
120.704	Main power switch set	1
120.705	Spring level contact set	2
120.706	Lid opening set	1
120.707	Pressure gauge 16 bar set	1
120.715	Mounting angle left set BWone	1
120.716	Mounting angle right set BWone	1
121.250	Adapter rear panel set BWone CT	1

1.1 Chassis BWone assy.

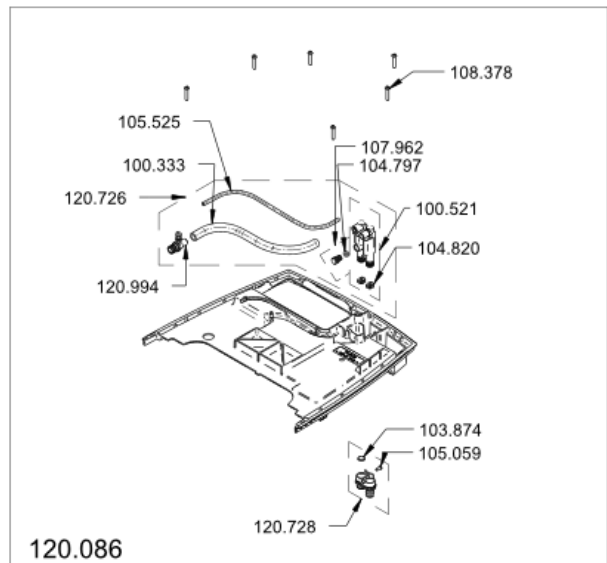
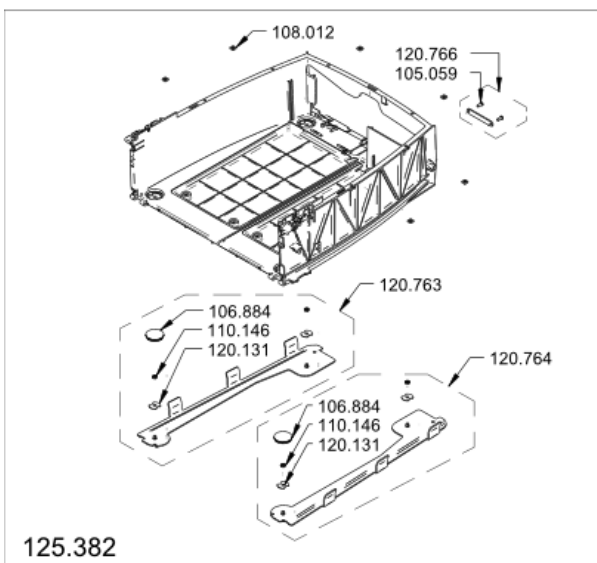
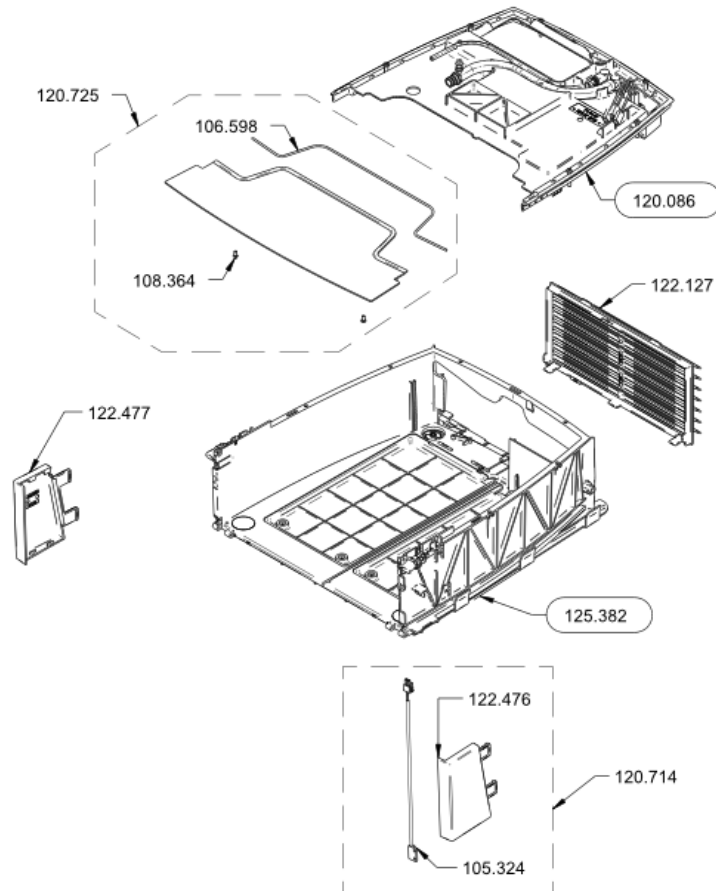
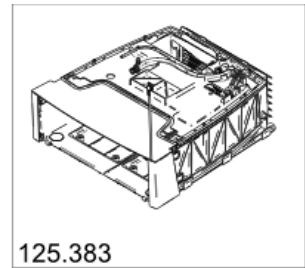


1.2 Base set BWone new

Article no.	Description	Quantity
100.333	Drain hose base ø15/10 x 250mm	1
100.521	Water clip	1
103.874	Inlet water filter 200ym	1
104.797	O-Ring 6.75x1.78 FKM	2
104.820	O-Ring 10.82x1.78 FKM	4
105.059	Oval head PT screw Phillips KA40x10	1
105.059	Oval head PT screw Phillips KA40x10	2
105.324	Reed switch	1
105.525	FEP pipe ø6/4 x 300mm	1
106.598	Silicone hose ø1.6/0.5 x 460mm	1
106.884	Plug foot	1
106.884	Plug foot	1
107.962	Waterentry plug watertank base, assembly	1
108.012	Square nut M5	6
108.364	Socket head screw M4x8 Phillips	2
108.378	Socket head screw M5x25 Phillips	6
110.146	Hex nut M5	2
110.146	Hex nut M5	2
120.086	Upper plate water network	1
120.131	Washer BWone	2
120.131	Washer BWone	2
120.714	Cover right set BWone	1
120.725	Front cover base set BWone	1
120.726	Water clip assy.	1
120.728	Attech water-drain assy.	1
120.763	Foot cross tie left set	1
120.764	Foot cross tie right set	1
120.766	Attach set	1
120.994	Fitting T-form, assy	1
122.127	Lamella beam	1
122.476	Lateral cover right BWone	1
122.477	Lateral cover left BWone	1
125.382	Frame box base assy. BWone new	1

1.2 Base set BWone new

neue Version, Kunststoffteile (ab Februar 2014)
 new version, plastic parts (from february 2014)

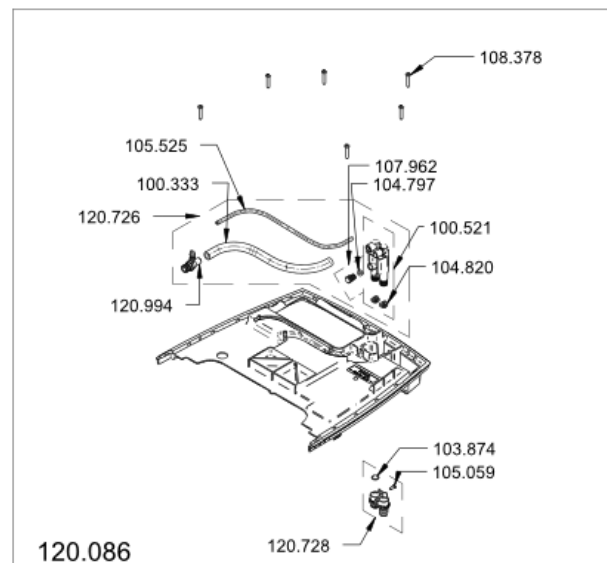
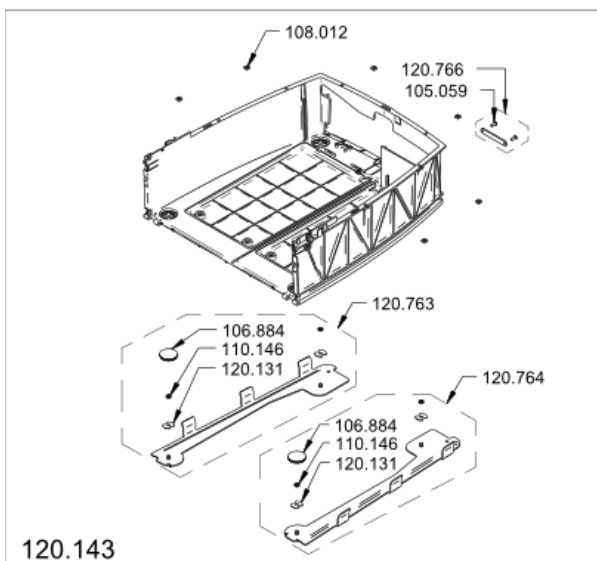
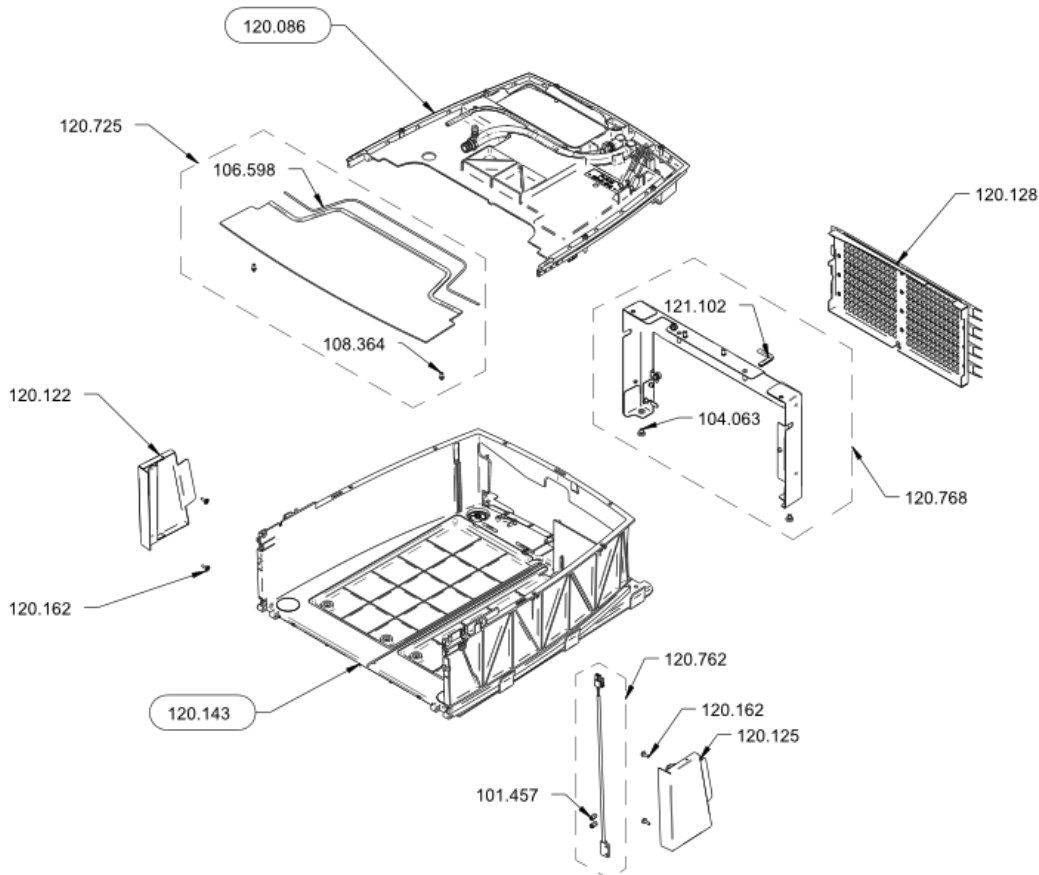
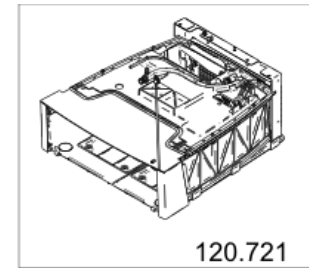


1.3 Base set BWone

Article no.	Description	Quantity
100.333	Drain hose base ø15/10 x 250mm	1
100.521	Water clip	1
101.457	Hexagonal spacer M03x10mm	2
103.874	Inlet water filter 200µm	1
104.063	Oval head screw Phillips M5x6	2
104.797	O-Ring 6.75x1.78 FKM	2
104.820	O-Ring 10.82x1.78 FKM	4
105.059	Oval head PT screw Phillips KA40x10	1
105.059	Oval head PT screw Phillips KA40x10	2
105.525	FEP pipe ø6/4 x 300mm	1
106.598	Silicone hose ø1.6/0.5 x 460mm	1
106.884	Plug foot	1
106.884	Plug foot	1
107.962	Waterentry plug watertank base, assembly	1
108.012	Square nut M5	6
108.364	Socket head screw M4x8 Phillips	2
108.378	Socket head screw M5x25 Phillips	6
110.146	Hex nut M5	2
110.146	Hex nut M5	2
120.086	Upper plate water network	1
120.122	Cover left complete BWone	1
120.125	Cover right complete BWone	1
120.128	Lamella beam	1
120.131	Washer BWone	2
120.131	Washer BWone	2
120.143	Frame box base assy.	1
120.162	Screw phillips M3x10	2
120.162	Screw phillips M3x10	2
120.725	Front cover base set BWone	1
120.726	Water clip assy.	1
120.728	Attech water-drain assy.	1
120.762	Reed set	1
120.763	Foot cross tie left set	1
120.764	Foot cross tie right set	1
120.766	Attach set	1
120.768	Adapter rear panel set	1
120.994	Fitting T-form, assy	1
121.102	Edge protection 50mm	1

1.3 Base set BWone

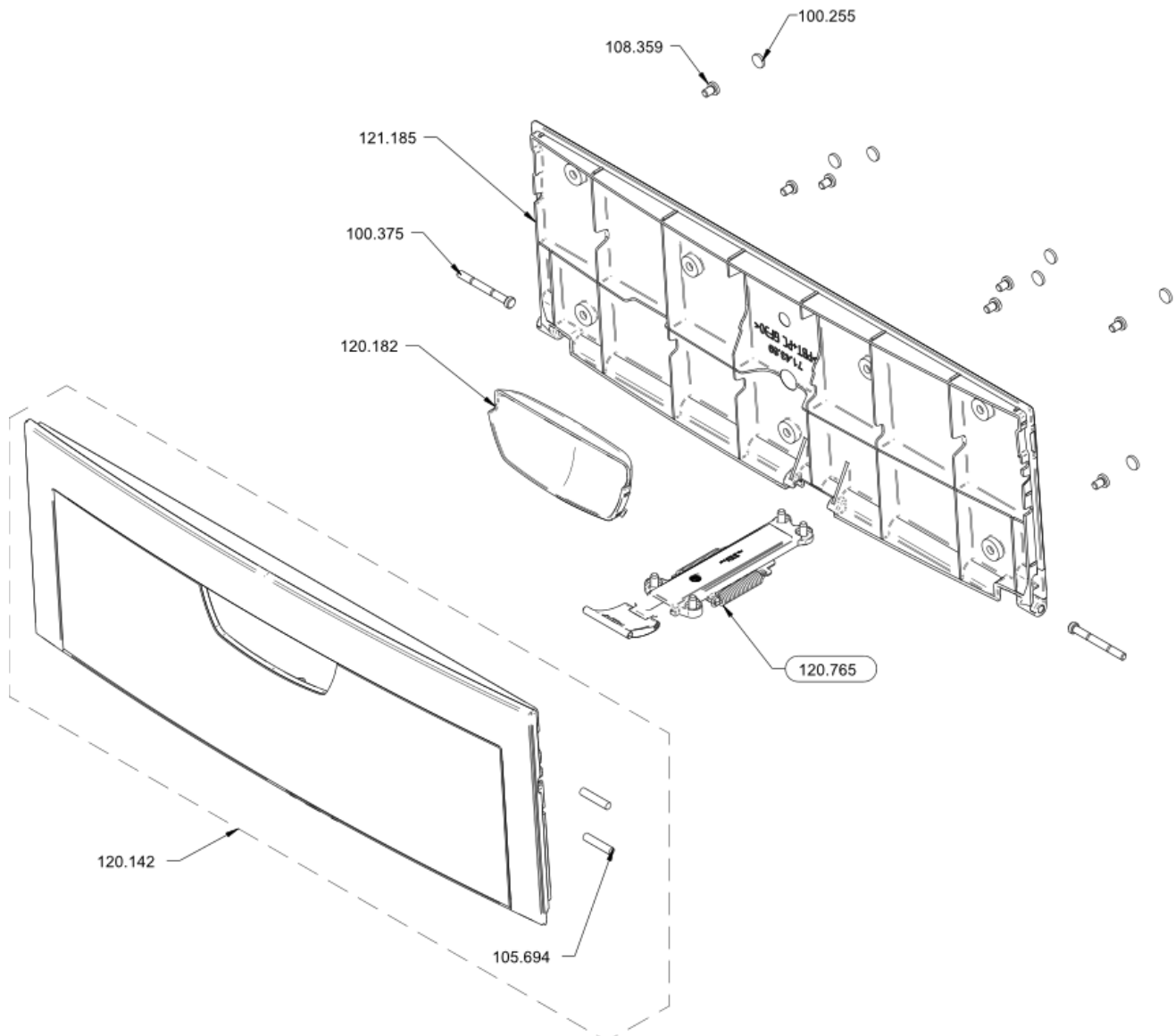
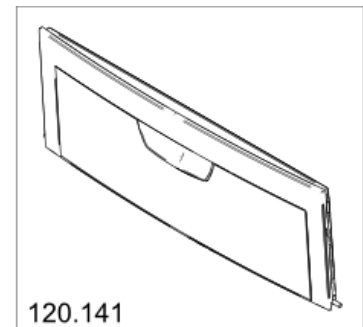
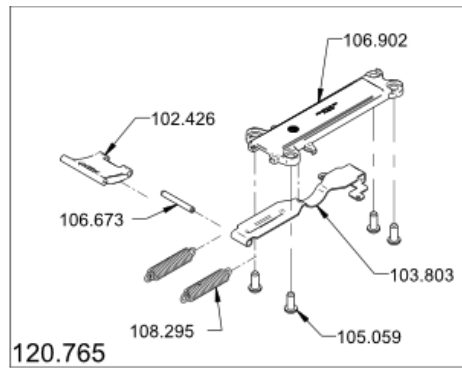
alte Version, Metallteile (bis Februar 2014)
 old version, metal parts (till february 2014)



1.4 Front door assy. BWone

Article no.	Description	Quantity
100.255	Cylindrical stopper $\varnothing 7.7$	7
100.375	Front door shaft Tiger base	2
102.426	Shock absorber Tiger base	1
103.803	Spring for suspender door base	1
105.059	Oval head PT screw Phillips KA40x10	4
105.694	Round bar magnet $\varnothing 4 \times 19 \text{mm}$	2
106.673	Roll pin $\varnothing 3 \times 24$	1
106.902	Dashpot guiding	1
108.295	Spring 1.1x6.4x37.1	2
108.359	Socket flat head screw M4x6	7
120.142	Front door forward base assy.	1
120.182	Handle front door black	1
120.765	Guide for shock set	1
121.185	Frame front door BWone	1

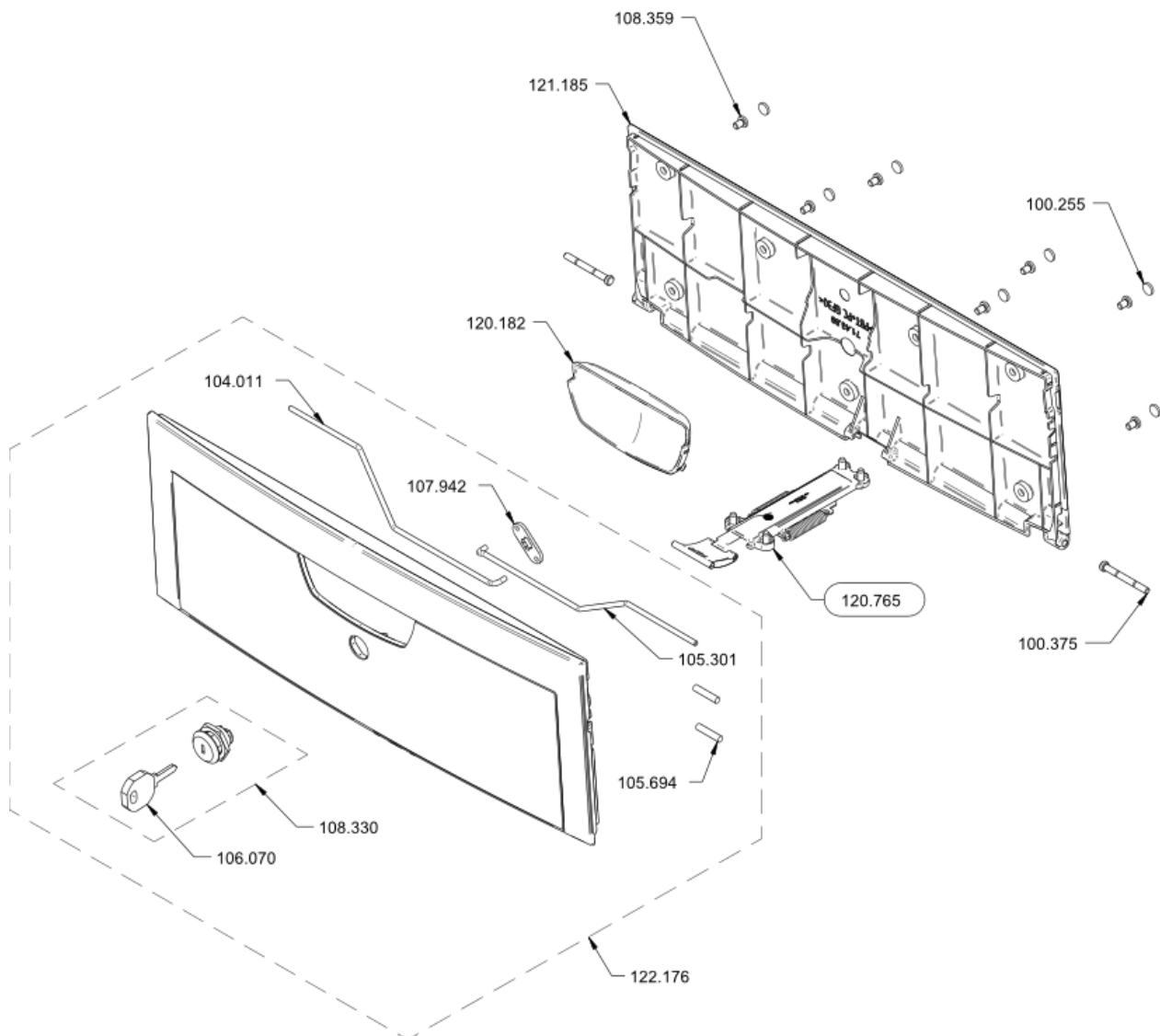
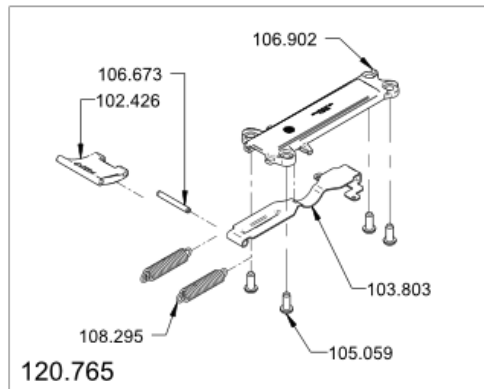
1.4 Front door assy. BWone



1.5 Front door with lock, assy. BWone

Article no.	Description	Quantity
100.255	Cylindrical stopper $\varnothing 7.7$	7
100.375	Front door shaft Tiger base	2
102.426	Shock absorber Tiger base	1
103.803	Spring for suspender door base	1
104.011	Stem left	1
105.059	Oval head PT screw Phillips KA40x10	4
105.301	Stem right	1
105.694	Round bar magnet $\varnothing 4 \times 19 \text{mm}$	2
106.070	Key (2 pcs.)	1
106.673	Roll pin $\varnothing 3 \times 24$	1
106.902	Dashpot guiding	1
107.942	Locking pin TT	1
108.295	Spring 1.1x6.4x37.1	2
108.330	Cylinder lock	1
108.359	Socket flat head screw M4x6	7
120.182	Handle front door black	1
120.765	Guide for shock set	1
121.185	Frame front door BWone	1
122.176	Front door with lock, assy. BWone	1

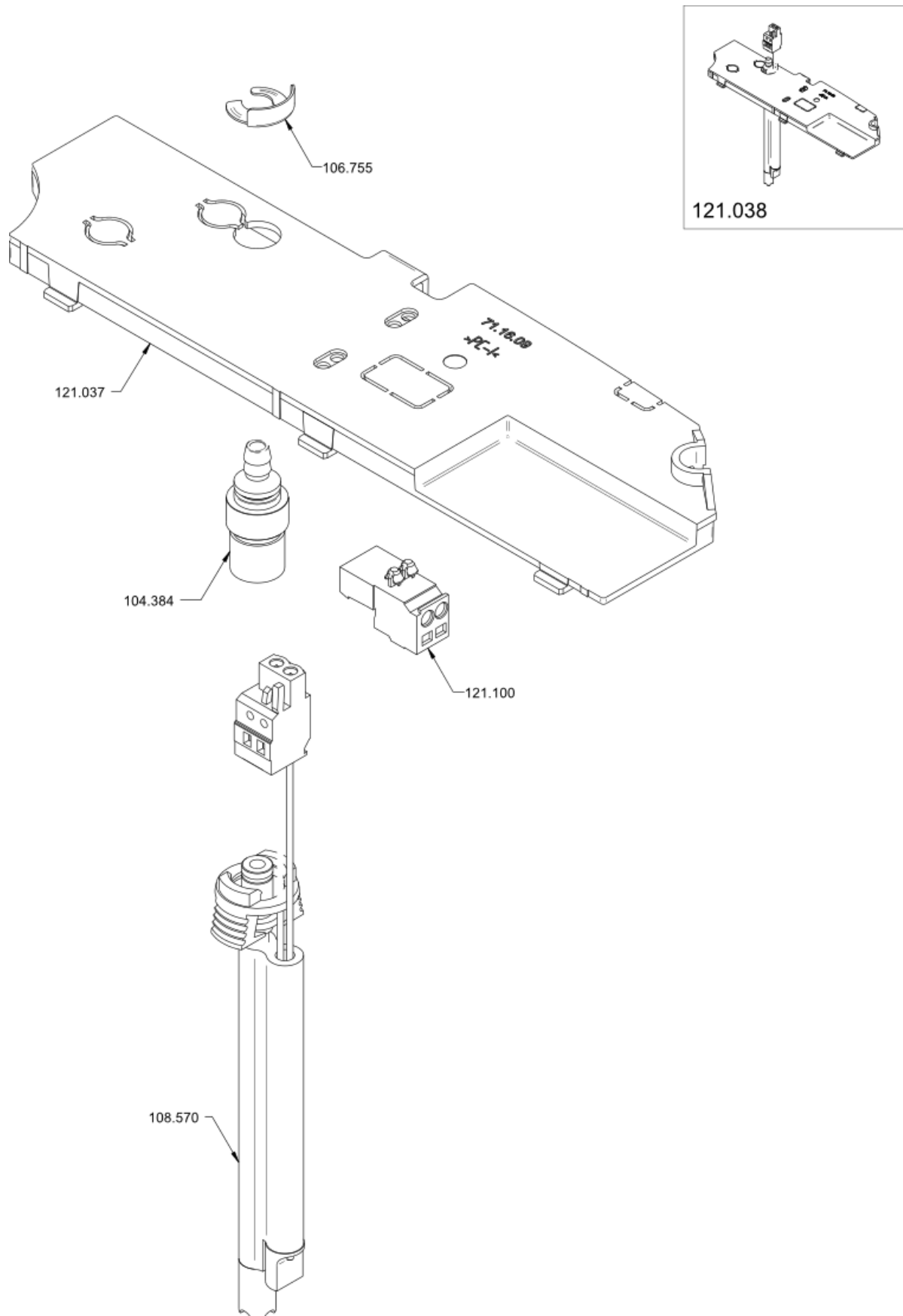
1.5 Front door with lock, assy. BWone



1.6 External milk single BWone assy.

Article no.	Description	Quantity
104.384	External milk port	1
106.755	Circlip ø10	1
108.570	Milk suction hose with sensor UT	1
121.037	Lid air flow TEM BWone	1
121.100	Wiring harness milk level BWone	1

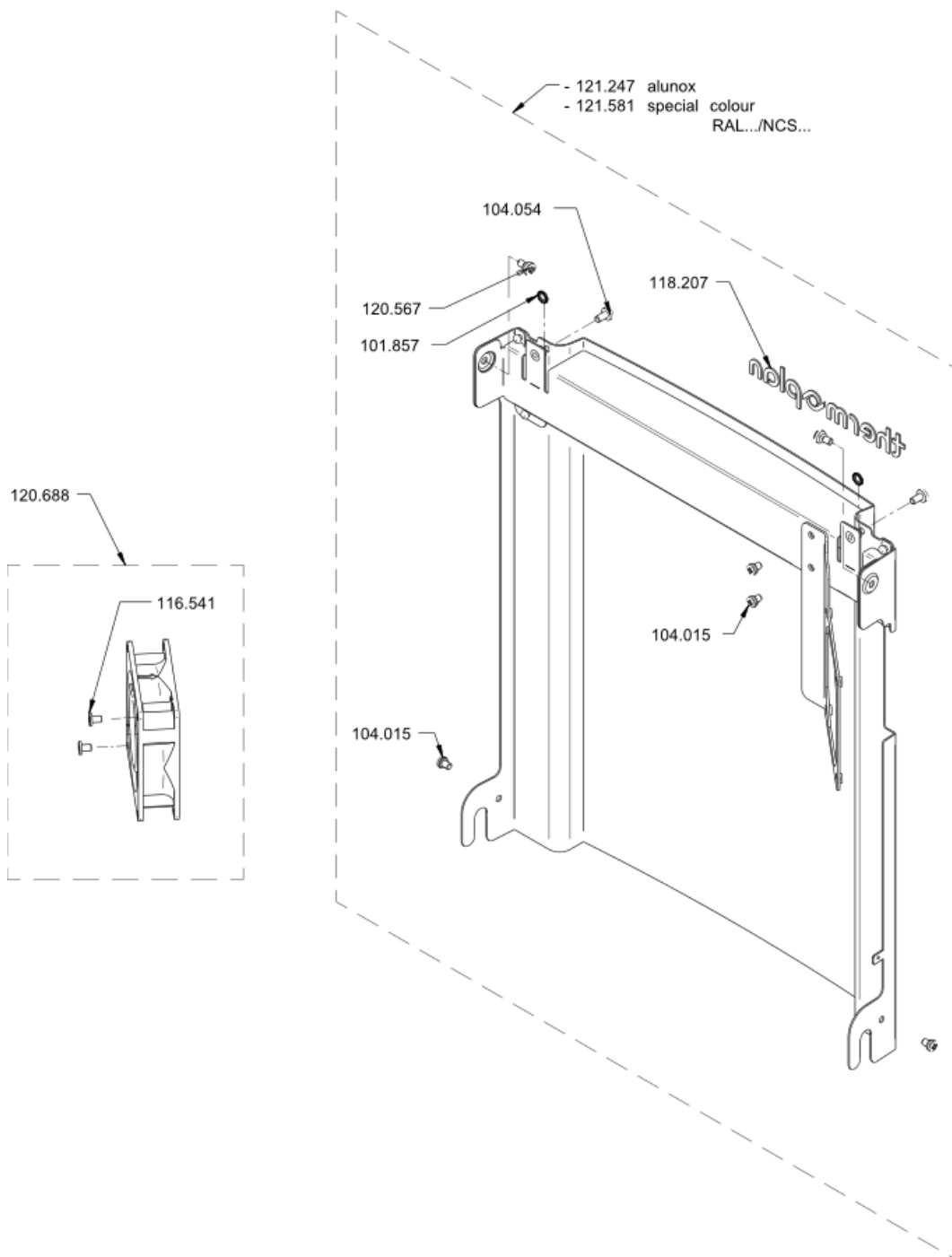
1.6 External milk single BWone assy.



1.7 Rear panel assy BWone CT

Article no.	Description	Quantity
101.857	Serrated lock washer M4	2
104.015	Phillips combi screw M04x06	4
104.054	Oval head screw Phillips M4x8	2
116.541	Socket head screw M4x6	2
118.207	Thermoplan nameplate	1
120.567	Screw undetachably M4x8 assy.	2
120.688	Axial fan set	1
121.247	Rear panel set BWone CT	1
121.581	Rear panel set BWone CT special colour	1
121.591	Rear panel assy. BWone CT special colour	1

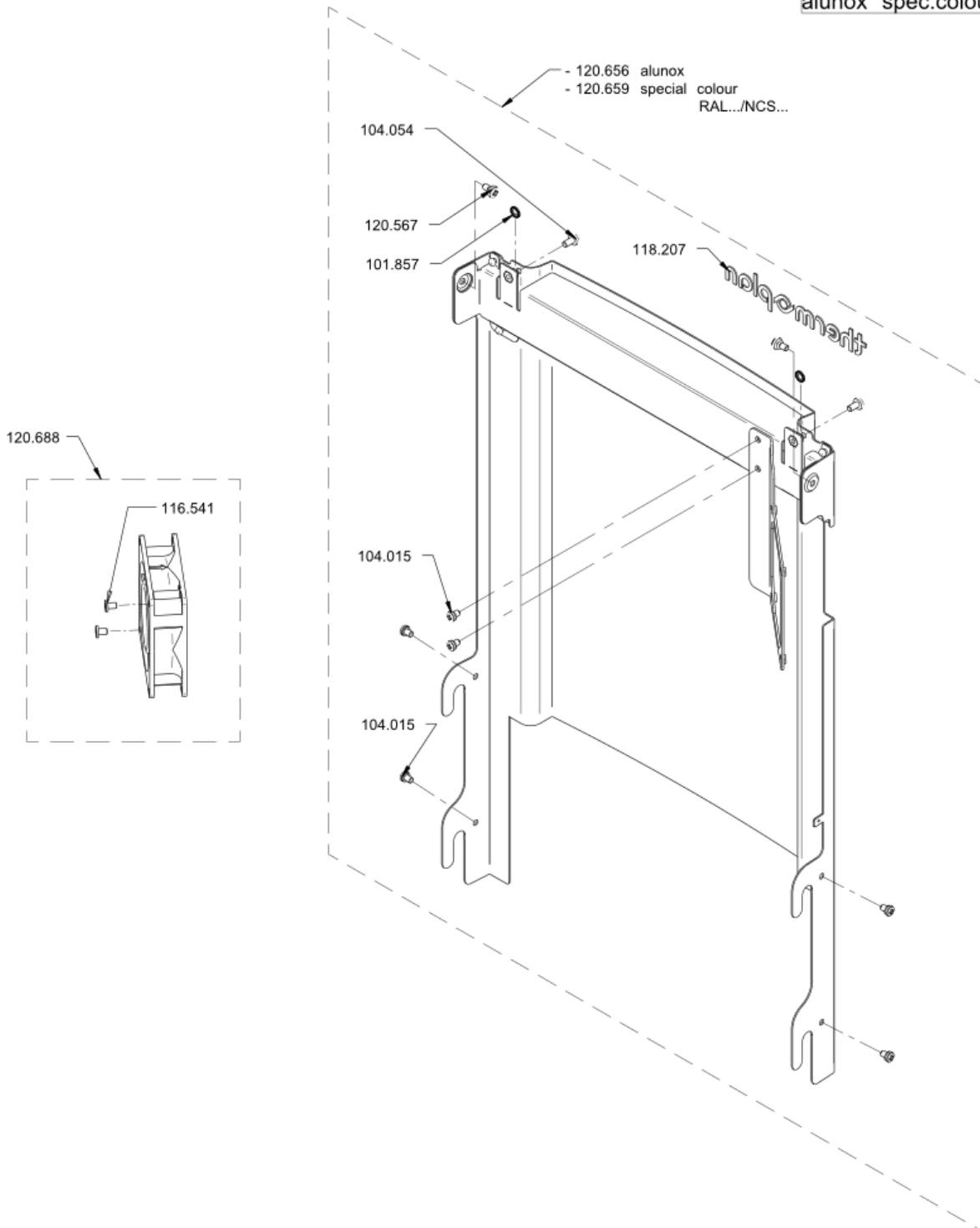
1.7 Rear panel assy BWone CT



1.8 Rear panel assy. BWone

Article no.	Description	Quantity
101.857	Serrated lock washer M4	2
104.015	Phillips combi screw M04x06	6
104.054	Oval head screw Phillips M4x8	2
116.541	Socket head screw M4x6	2
118.207	Thermoplan nameplate	1
120.567	Screw undetachably M4x8 assy.	2
120.656	Rear panel set BWone	1
120.659	Rear panel set BWone special colour	1
120.688	Axial fan set	1
121.584	Rear panel assy. BWone	1

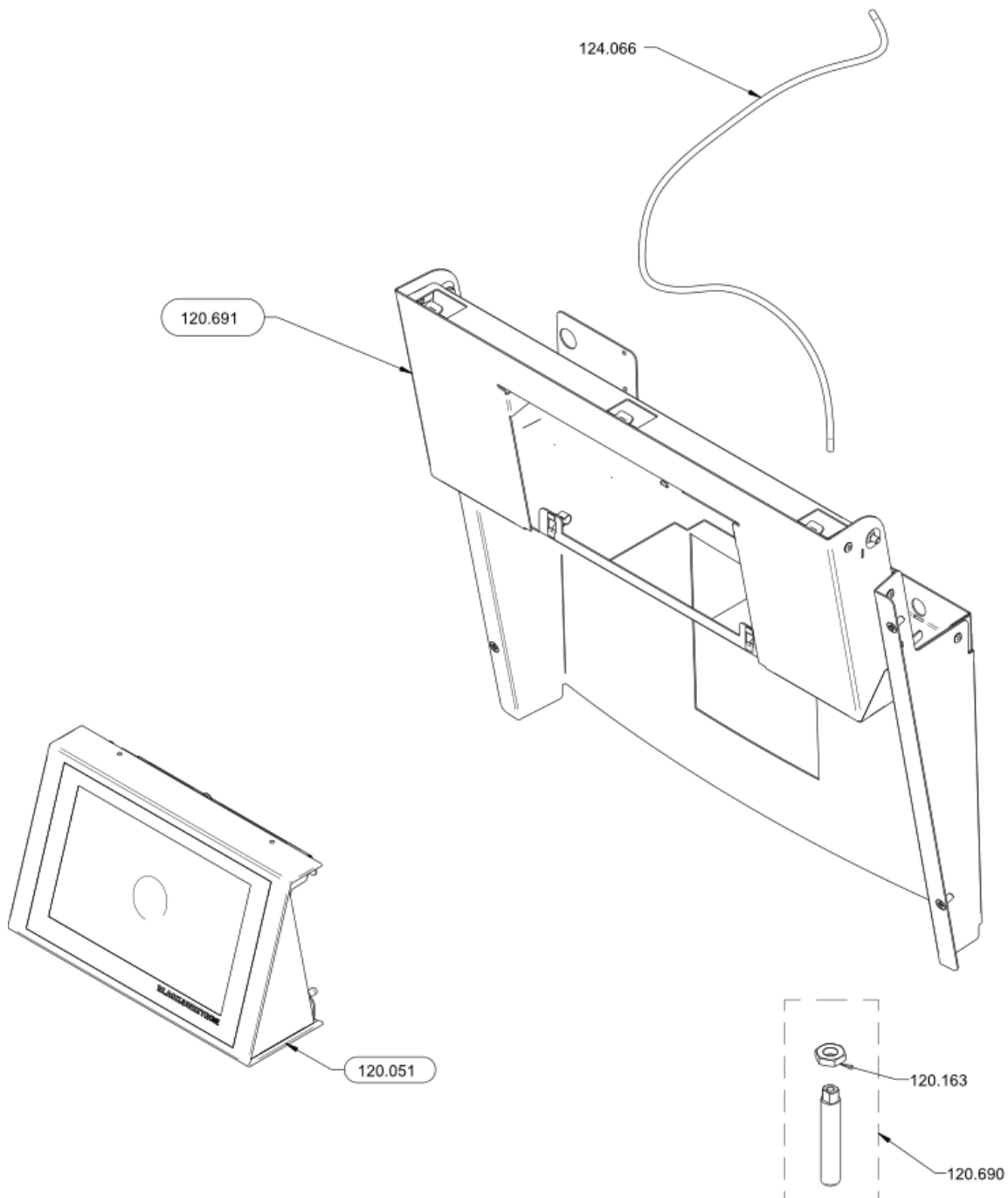
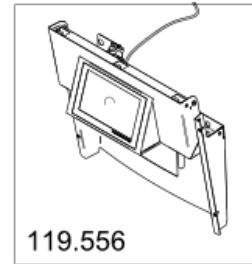
1.8 Rear panel assy. BWone



1.9 Front BWone assy. with tee external

Article no.	Description	Quantity
120.051	Touchscreen box with electronics	1
120.163	Hex nut M10x1 (0.5d)	1
120.690	Tea outlet pipe set BWone	1
120.691	Front cover set BWone	1
124.066	FEP pipe $\varnothing 4/2$ x 590mm	1

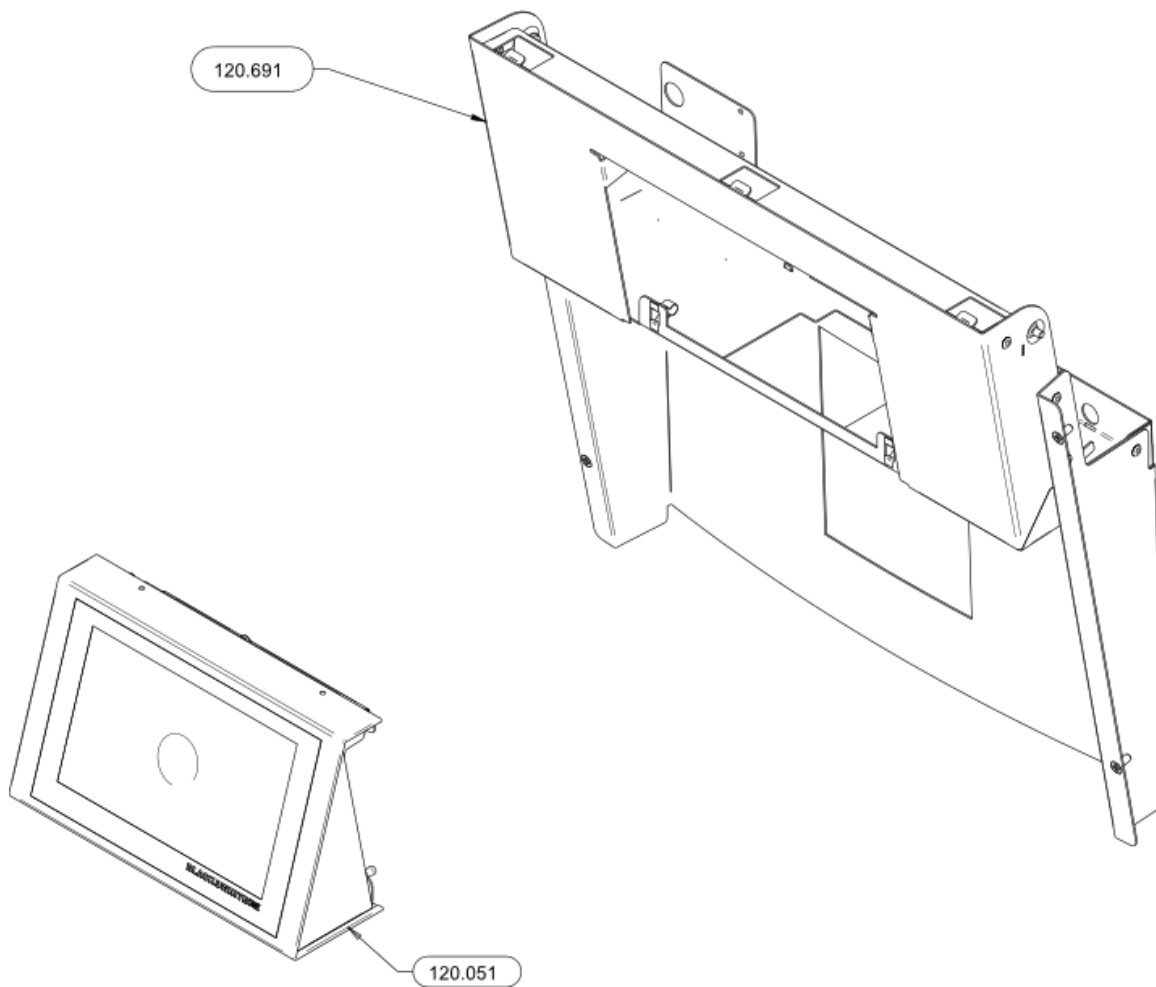
1.9 Front BWone assy. with tee external



1.10 Front BWone assy. without tea

Article no.	Description	Quantity
120.051	Touchscreen box with electronics	1
120.691	Front cover set BWone	1

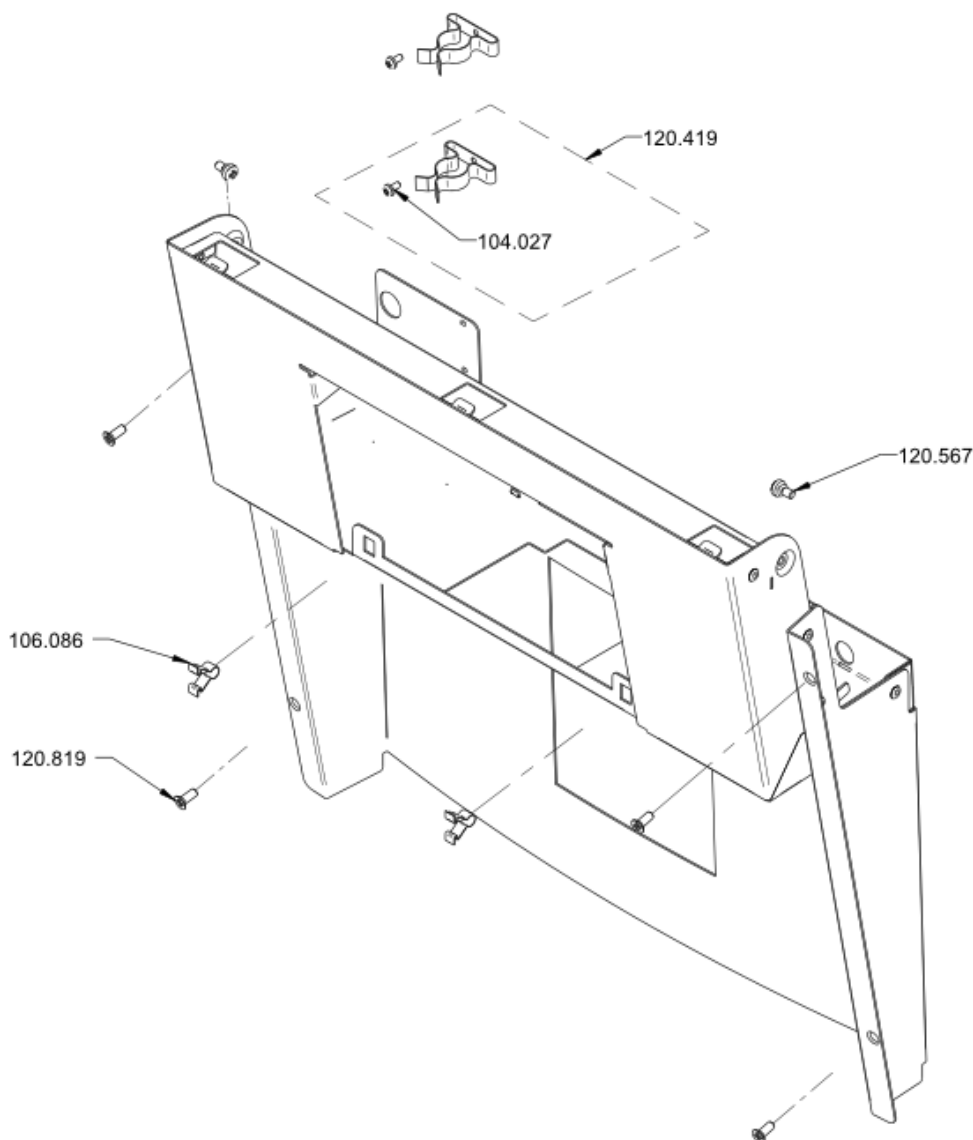
1.10 Front BWone assy. without tea



1.10.1 Front cover set BWone

Article no.	Description	Quantity
104.027	Oval head screw Phillips M3x6	1
106.086	Quick snap	2
120.419	Tool clip ø16-19 set	2
120.567	Screw undetachably M4x8 assy.	2
120.819	Countersunk screw M4x10 philips	4

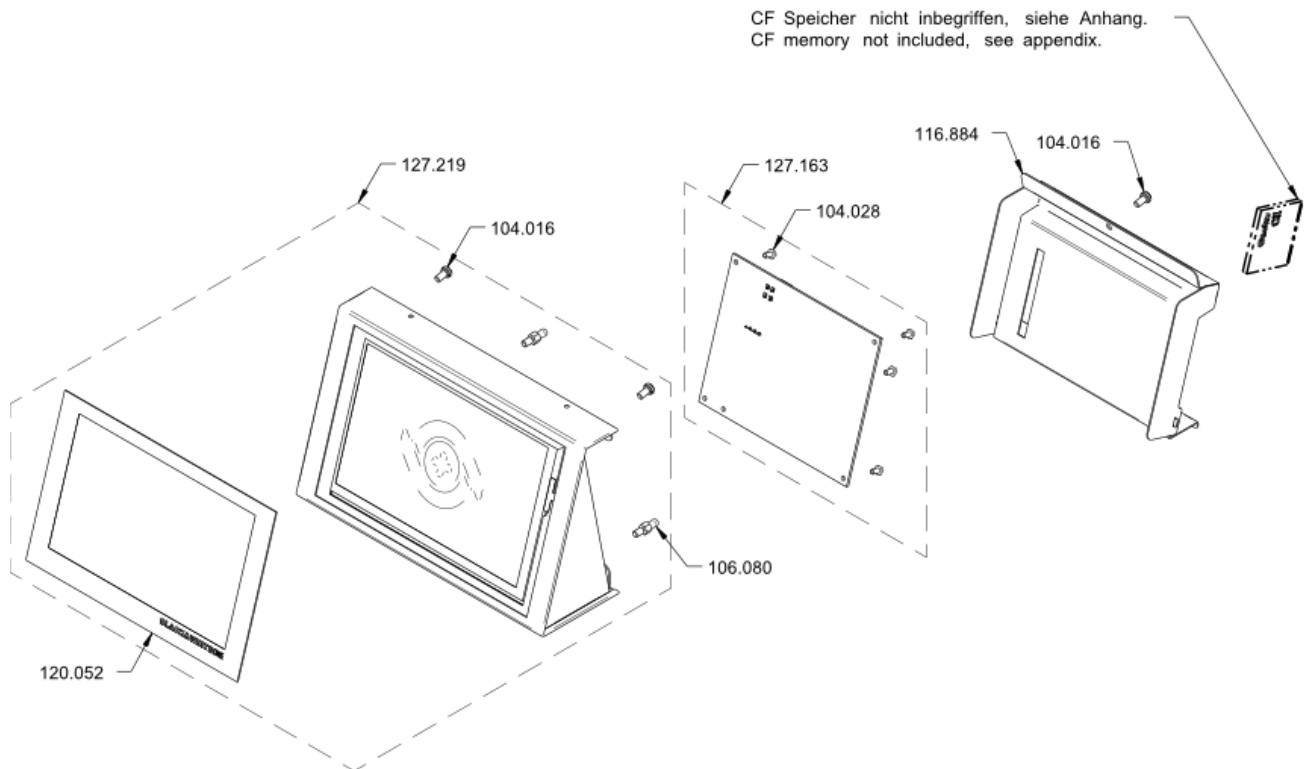
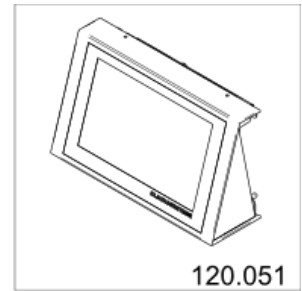
1.10.1 Front cover set BWone



1.10.2 Touchscreen box with electronics

Article no.	Description	Quantity
104.016	Oval head Phillips combi screw M4x8	2
104.016	Oval head Phillips combi screw M4x8	1
104.028	Phillips screw M3x6	4
106.080	Dower for spring clip	2
116.884	Cover plate FOX BW3	1
120.052	Touchfoil BWone	1
127.163	Fox 70 set	1
127.219	Touchscreen box without electronics	1

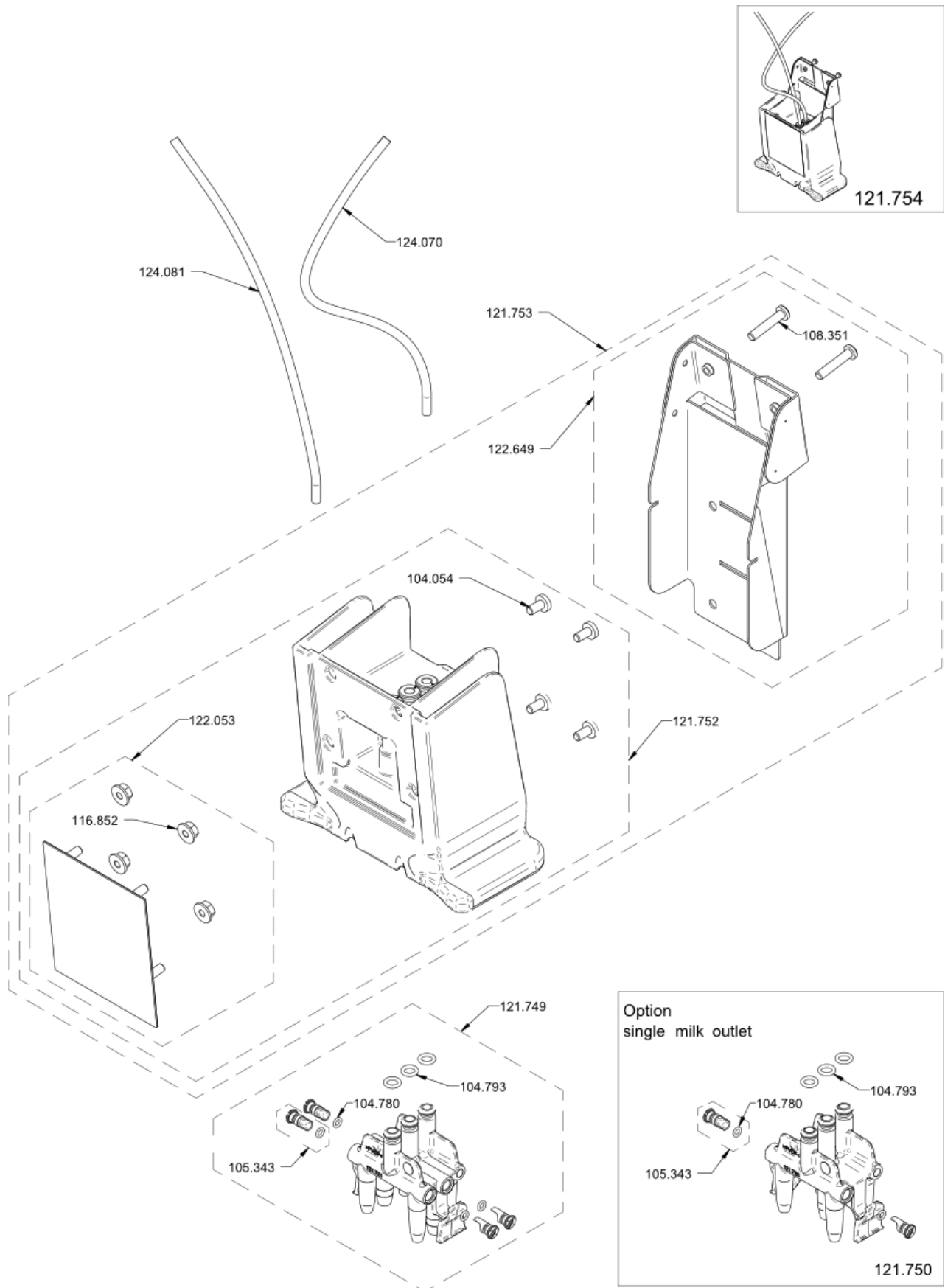
1.10.2 Touchscreen box with electronics



1.11 Discharge set BWone

Article no.	Description	Quantity
104.054	Oval head screw Phillips M4x8	4
104.780	O-Ring 3.00x1.00 NBR	1
104.793	O-Ring 5.00x1.50 MVQ	3
105.343	Regulation Plug coffee, assembly	4
108.351	Socket head screw M4x20 Phillips	2
116.852	Flange locknut M4	4
121.749	Discharge insert twice set	1
121.750	Discharge insert single set	1
121.752	Discharge housing set	1
121.753	Discharge assy.	1
122.053	Discharge front panel assy.	1
122.649	Spout support BWone set	1
124.070	FEP pipe \varnothing 4/2 x 520mm	1
124.081	FEP pipe \varnothing 4/2 x 330mm	1

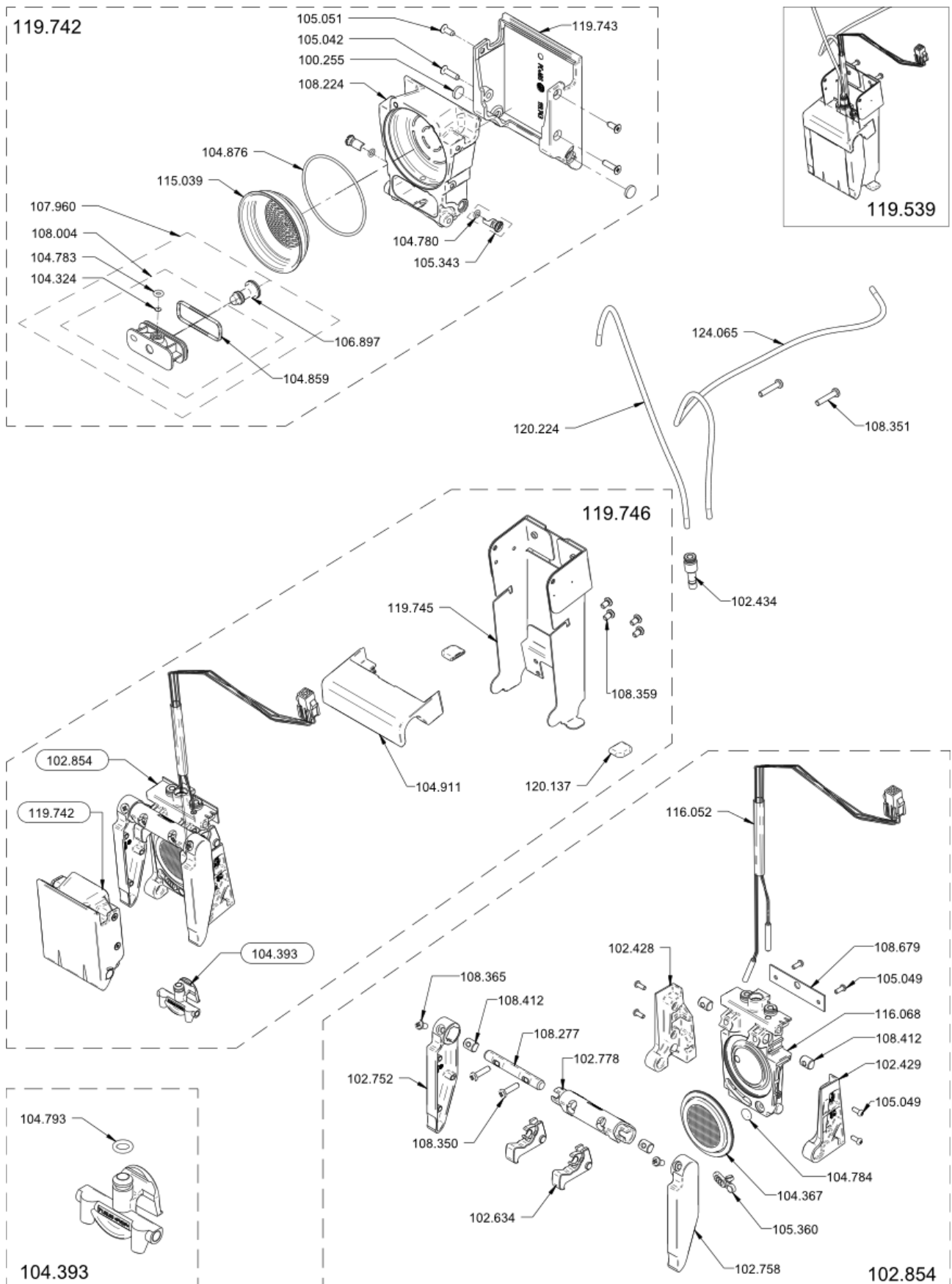
1.11 Discharge set BWone



1.12 Outlet POD set BWone

Article no.	Description	Quantity
100.255	Cylindrical stopper $\varnothing 7.7$	2
102.428	Left articulation plate POD BW2	1
102.429	Right articulation plate POD BW2	1
102.434	Straight plug connection 4-6	1
102.634	POD hook, assy.	2
102.752	Left lever POD BW2/BW3	1
102.758	Lever right POD BW2/BW3	1
102.778	Lever axle	1
102.854	Rear assembly POD BW2	1
104.324	Diaphragm POD coffee outlet	1
104.367	Filter POD, assembly	1
104.393	Milk outlet, assy.	1
104.780	O-Ring 3.00x1.00 NBR	1
104.783	O-Ring 3.00x1.50 FKM	1
104.784	O-Ring 4.42x2.62 FKM	1
104.793	O-Ring 5.00x1.50 MVQ	1
104.859	O-Ring 23.00x2.00 FKM	1
104.876	O-Ring 49.00x1.50 FKM	1
104.911	Upper cover POD BW2	1
105.042	Countersunk PT screw KA30x12	2
105.049	Oval head PT screw Phillips KA30x8	6
105.051	Countersunk PT screw Phillips KA30x8	2
105.343	Regulation Plug coffee, assembly	2
105.360	Cleaning selector switch, assembly	1
106.897	Pushbotton, assy.	1
107.960	Distribution POD, assembly	1
108.004	Restictionsblock, assembly	1
108.224	Front cradle POD, assembly	1
108.277	Main axle POD	1
108.350	Socket flat head screw Phillips M4x16	2
108.351	Cheese head screw Phillips M4x20	2
108.359	Socket flat head screw M4x6	4
108.365	Socket head cap screw M4x8	2
108.412	Deflection axle	4
108.679	Protection Reed POD	1
115.039	Pressed POD screen with inlay wire	1
116.052	Wiring harness reed POD BW2	1
116.068	Rear POD body BW2 assy.	1
119.742	Front POD assy. BWone	1
119.743	Front cover POD	1
119.745	Support coffee outlet assy. BWone	1
119.746	Outlet POD assy. BWone	1
120.137	POD ear BWone	2
120.224	FEP pipe $\varnothing 4/2 \times 290\text{mm}$	1
124.065	FEP pipe $\varnothing 4/2 \times 480\text{mm}$	1

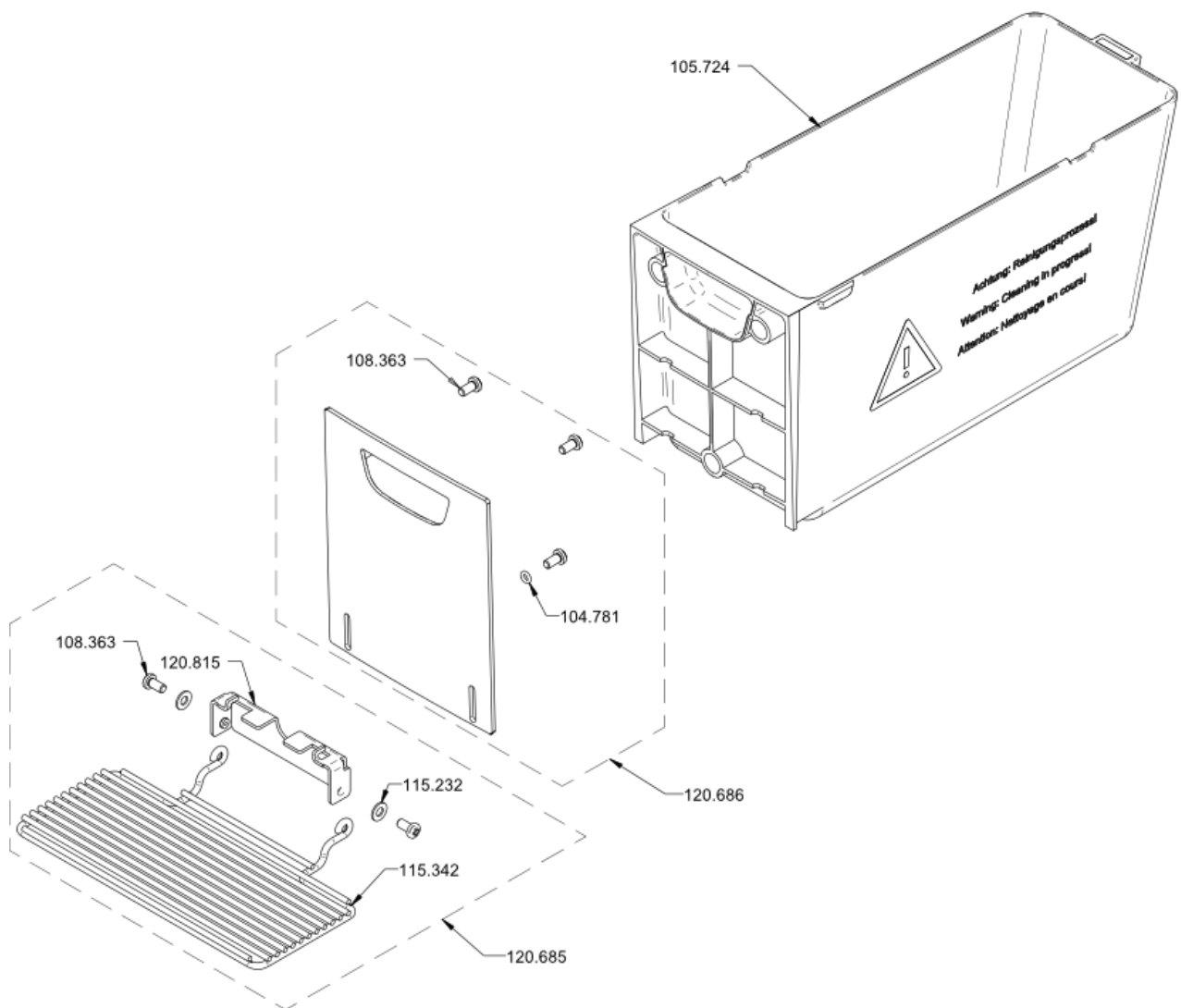
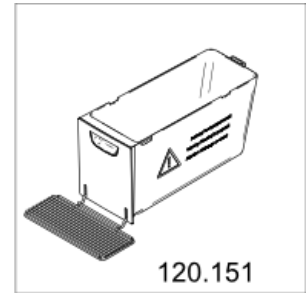
1.12 Outlet POD set BWone



1.13 Grounds Drawer assy. BWone

Article no.	Description	Quantity
104.781	O-Ring 3.00x1.50 EPDM	1
105.724	Grounds drawer with magnet, Tiger	1
108.363	Socket flat head screw Phillips H M4x8	2
108.363	Socket flat head screw Phillips H M4x8	3
115.232	Washer M4, Polyamid	2
115.342	Cup rust compl.	1
120.685	Cup rust set	1
120.686	Front sheet ground drawer set BWone	1
120.815	Hinge angle ground drawer	1

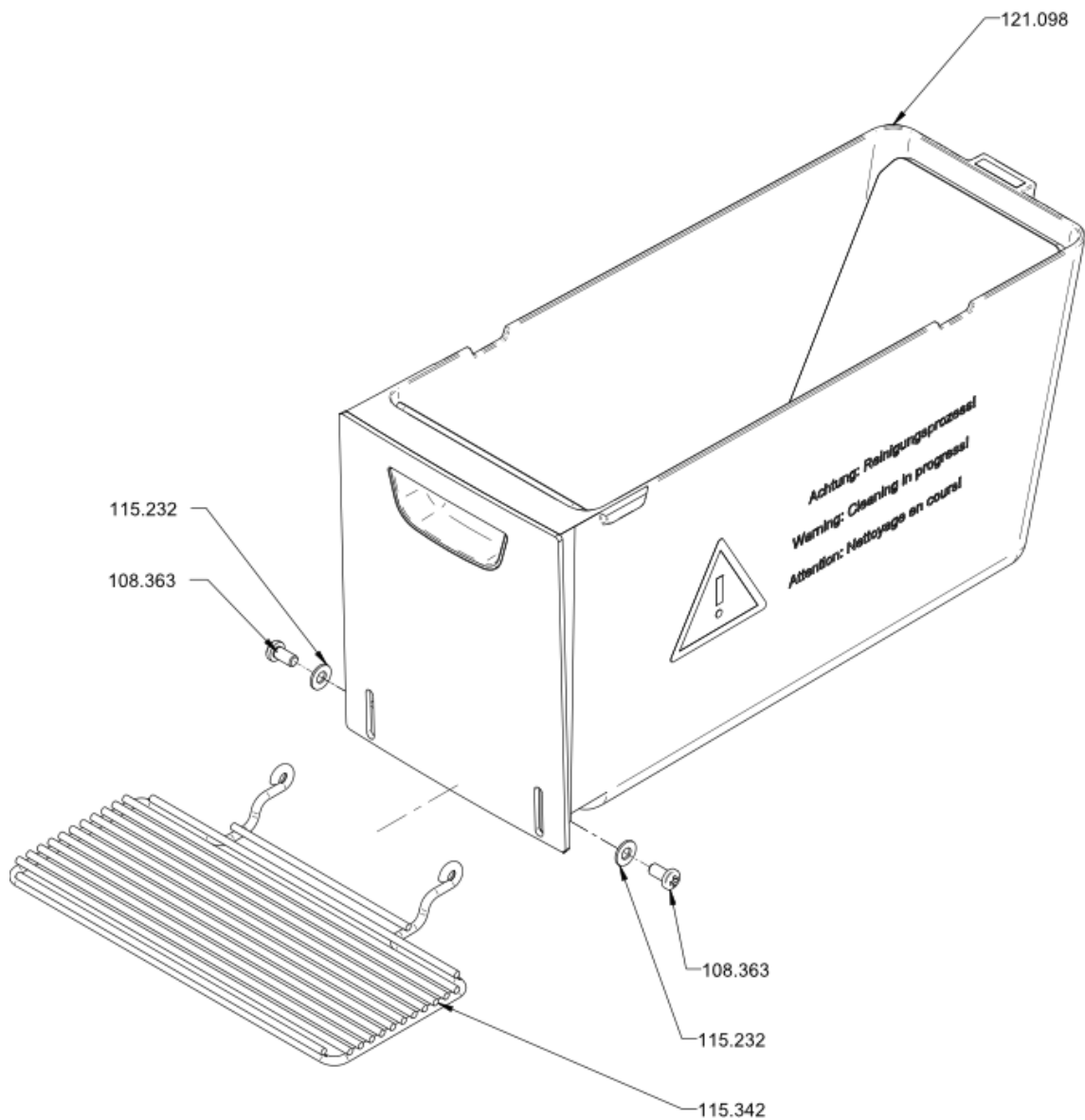
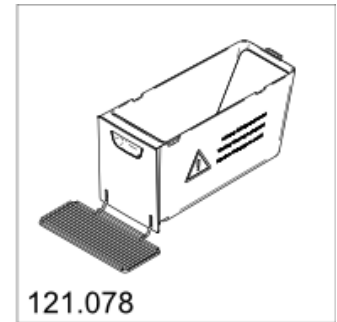
1.13 Grounds Drawer assy. BWone



1.14 Grounds Drawer assy. BWone, open

Article no.	Description	Quantity
108.363	Socket flat head screw Phillips H M4x8	2
115.232	Washer M4, Polyamid	2
115.342	Cup rust compl.	1
121.098	Grounds drawer BWone, open	1

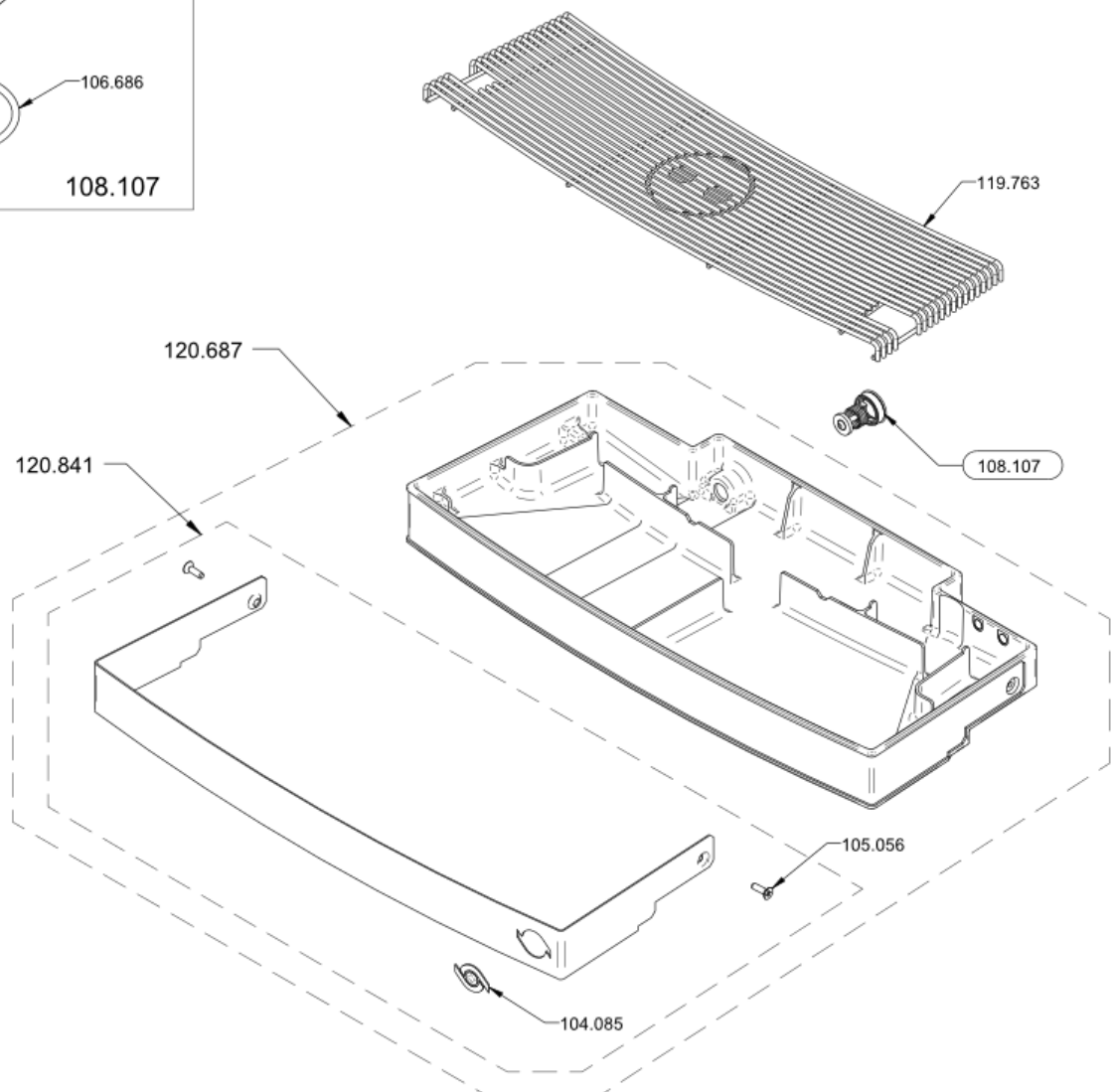
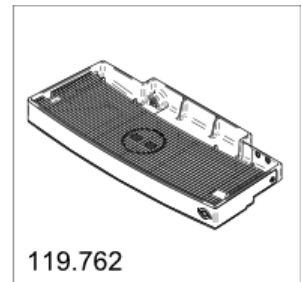
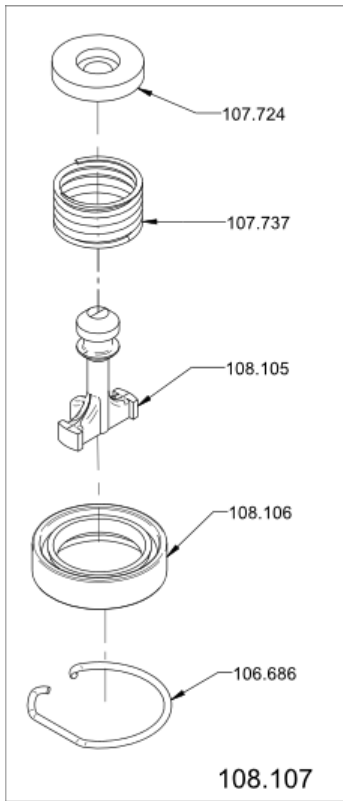
1.14 Grounds Drawer assy. BWone, open



1.15 Drain box assy. BWone

Article no.	Description	Quantity
104.085	Logo Thermoplan	1
105.056	Countersunk PT screw Phillips KA35x12	2
106.686	Snap ring \varnothing 19x1	1
107.724	Sealing drainage tray	1
107.737	Valve spring	1
108.105	Valve for drainage tray	1
108.106	Shaft seal \varnothing 12x19x5	1
108.107	Valve for drainage tray, assembly	1
119.763	Drip tray grid	1
120.687	Drain block BWone	1
120.841	Enclosure drainage tray assy.	1

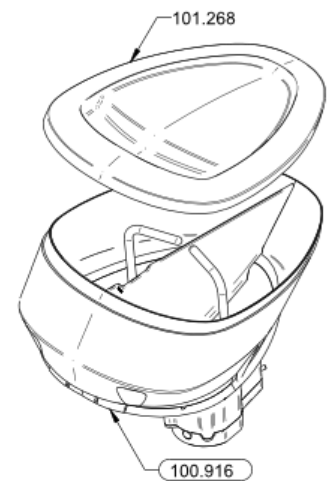
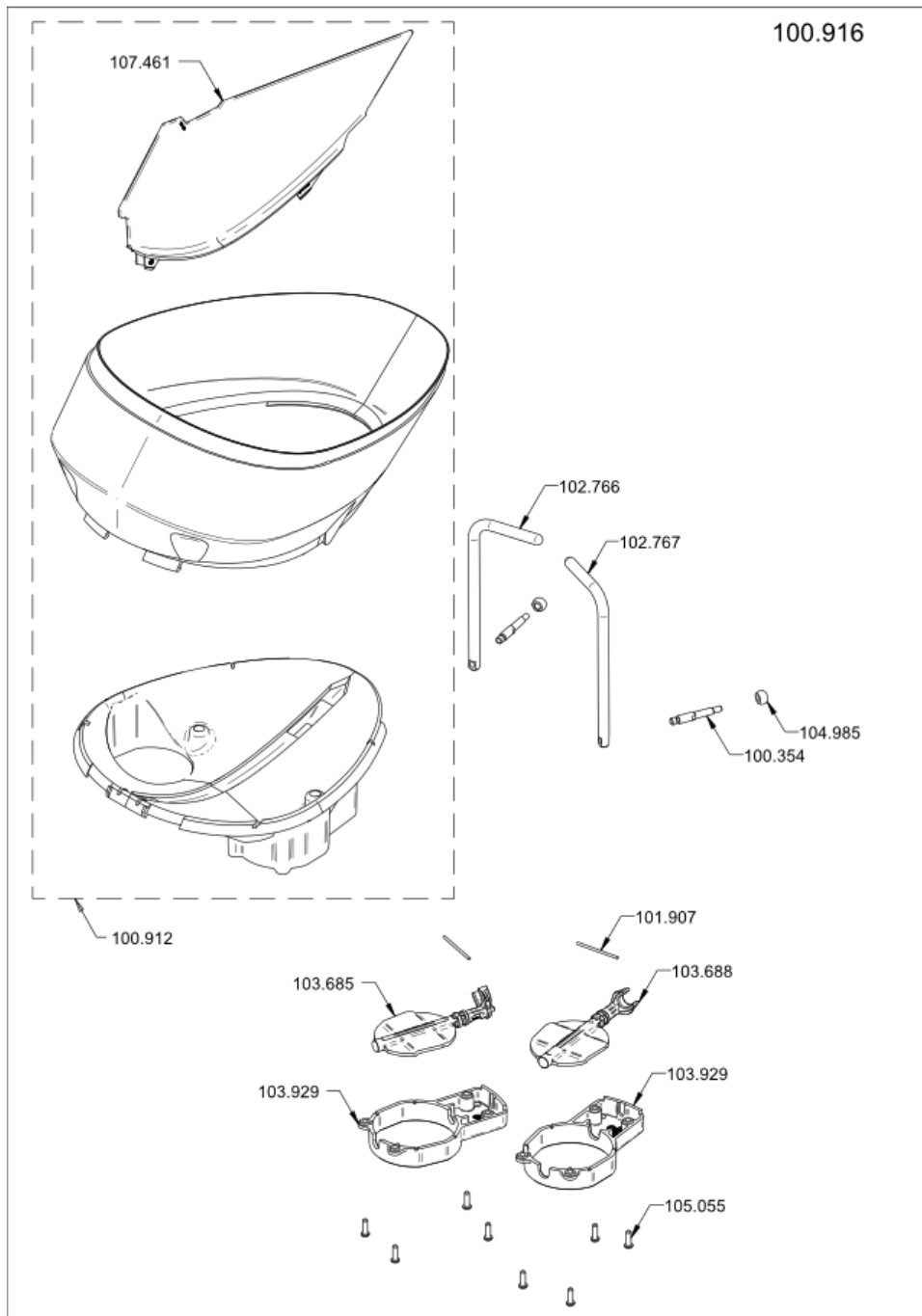
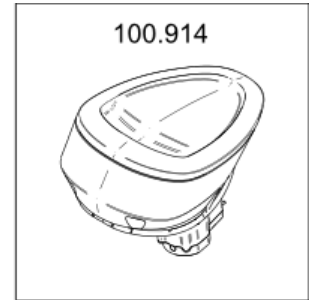
1.15 Drain box assy. BWone



1.16 Bean hopper 2M cpl.

Article no.	Description	Quantity
100.354	Shaft for closure	2
100.912	Set bean hopper T 2M assy.	1
100.916	Bean hopper 2M	1
101.268	Lid bean hopper Tiger	1
101.907	Spring for closure	2
102.766	Bean hopper left closing handle	1
102.767	Bean hopper right closing handle	1
103.685	Bean hopper left closure plate	1
103.688	Bean hopper right closure plate	1
103.929	Support for closure plate	2
104.985	Slide bearing ø5x6	2
105.055	Oval head PT screw Phi. KA35x12	8
107.461	Divider bean hopper	1

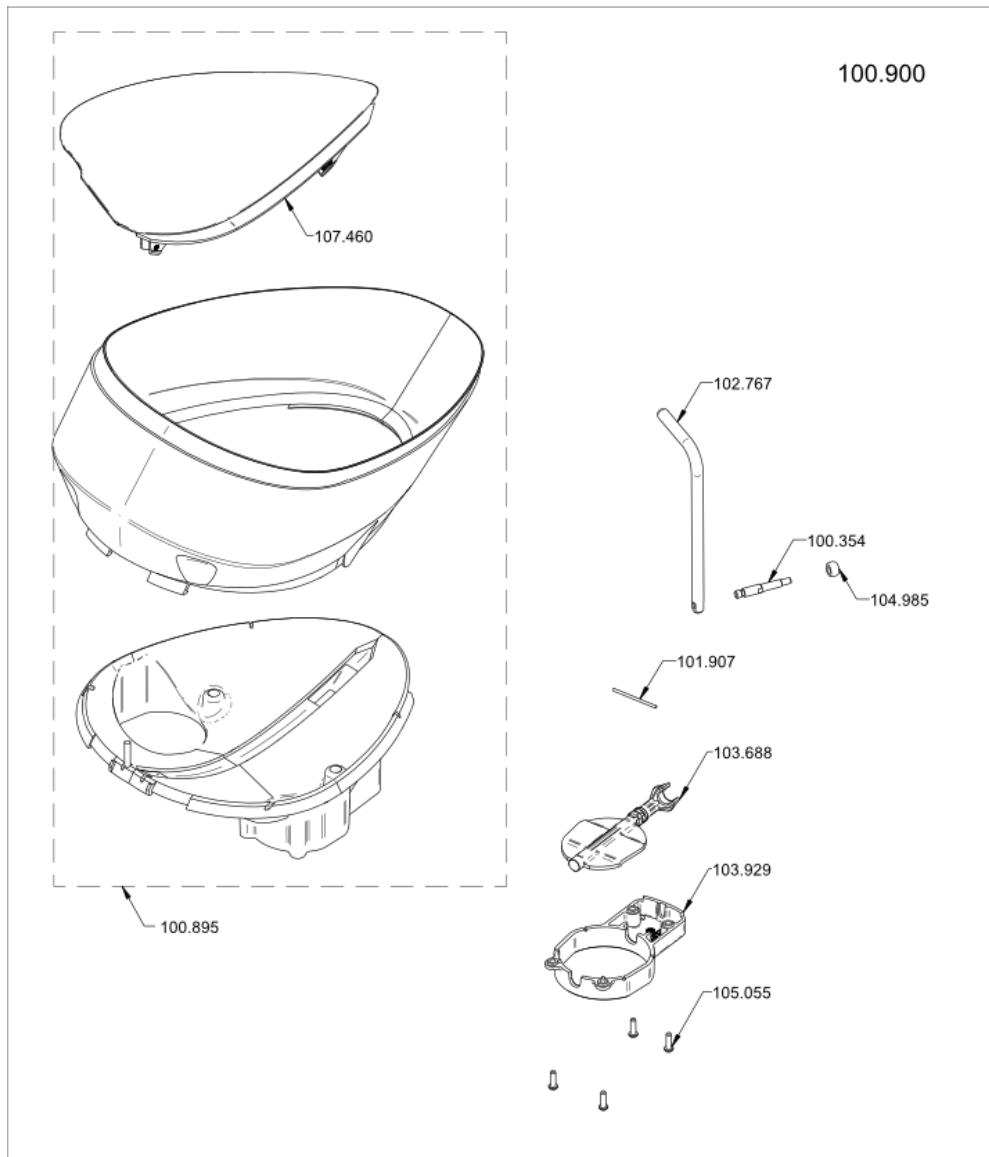
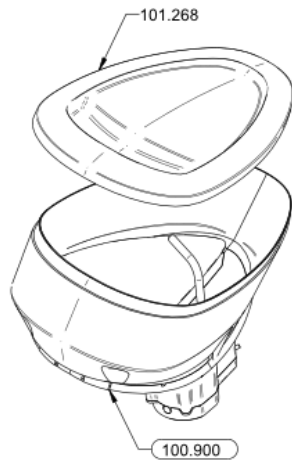
1.16 Bean hopper 2M cpl.



1.17 Bean hopper cplt. 1M

Article no.	Description	Quantity
100.354	Shaft for closure	1
100.895	Set bean hopper 1M cplt.	1
100.900	Bean hopper 1M	1
101.268	Lid bean hopper Tiger	1
101.907	Spring for closure	1
102.767	Bean hopper right closing handle	1
103.688	Bean hopper right closure plate	1
103.929	Support for closure plate	1
104.985	Slide bearing ø5x6	1
105.055	Oval head PT screw Phi. KA35x12	4
107.460	Partition bean hopper 1 mill	1

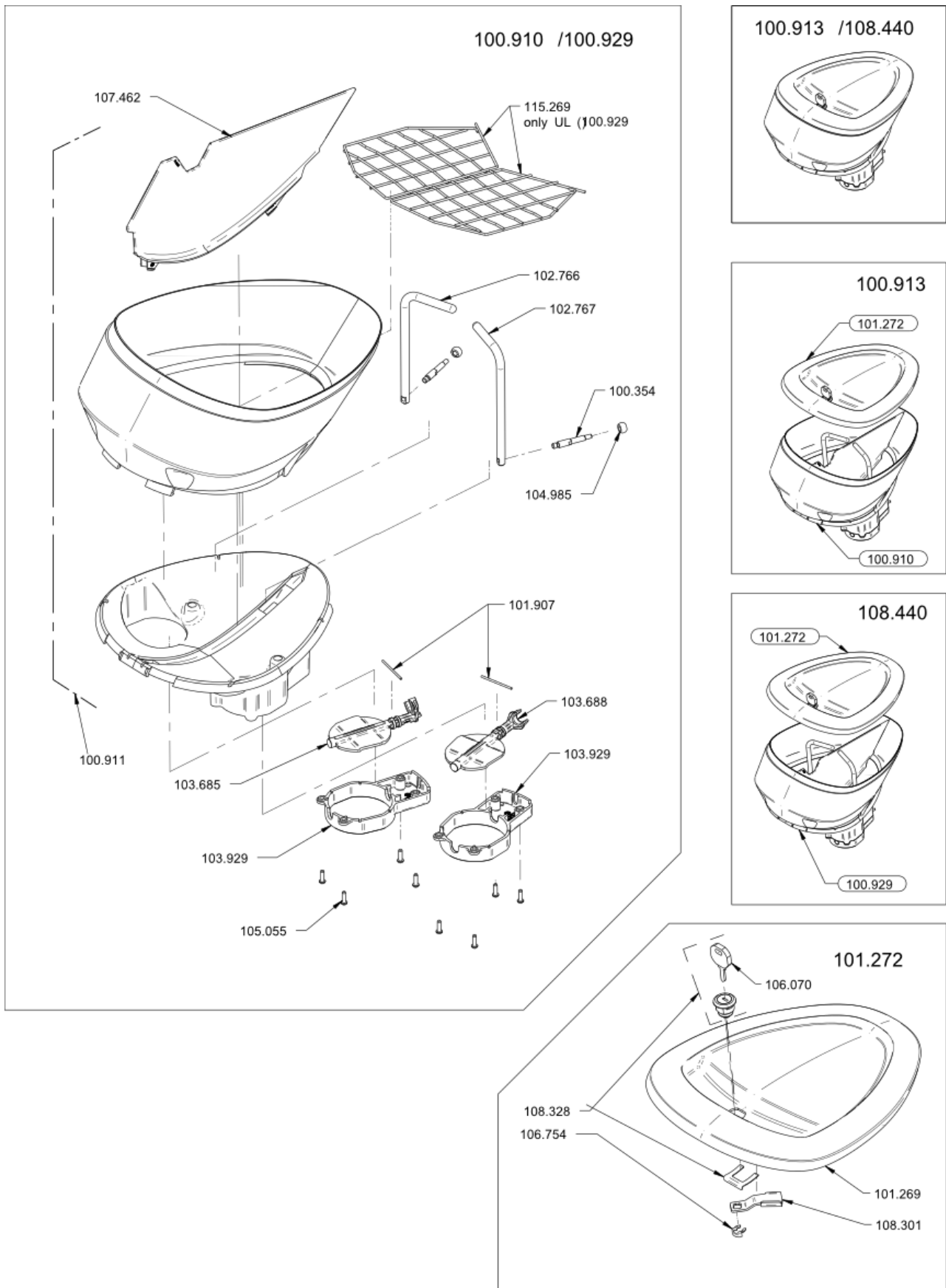
1.17 Bean hopper cplt. 1M



1.18 Bean hopper 2M with lock cpl.

Article no.	Description	Quantity
100.354	Shaft for closure	2
100.910	Bean hopper 2 mills, assembly	1
100.911	Bean hopper base 2 mills lockable, assy.	1
100.929	Bean hopper 2M UL (lock)	1
101.269	Bean hopper cover lockable	1
101.272	Lid bean hopper with lock	1
101.907	Spring for closure	2
102.766	Bean hopper left closing handle	1
102.767	Bean hopper right closing handle	1
103.685	Bean hopper left closure plate	1
103.688	Bean hopper right closure plate	1
103.929	Support for closure plate	2
104.985	Slide bearing ø5x6	2
105.055	Oval head PT screw Phi. KA35x12	8
106.070	Key (2 pcs.)	1
106.754	Washer STS ø8	1
107.462	Separating plate lockable	1
108.301	Bean hopper locking plate	1
108.328	Cylinder lock with key	1
108.440	Bean hopper 2 M UL with lock cpl.	1
115.269	Grid protection 2x0.5kg UL	2

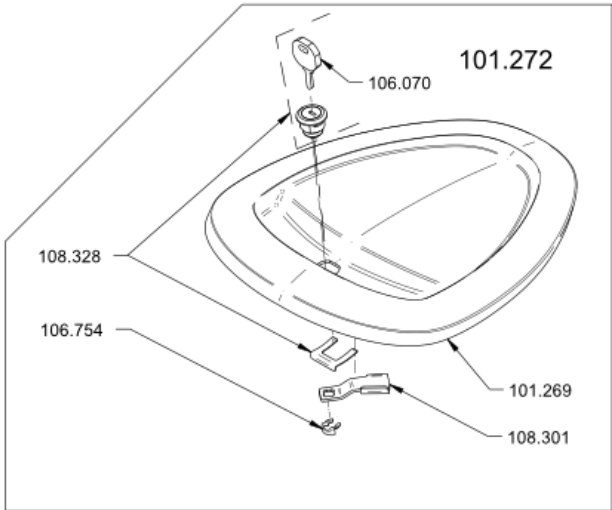
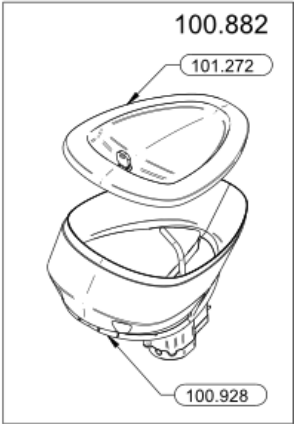
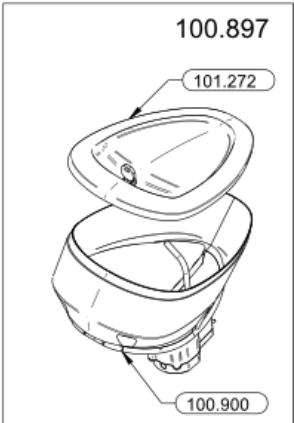
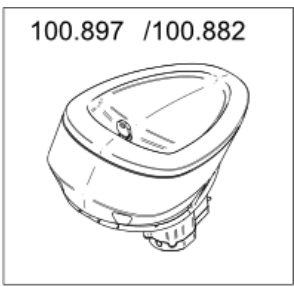
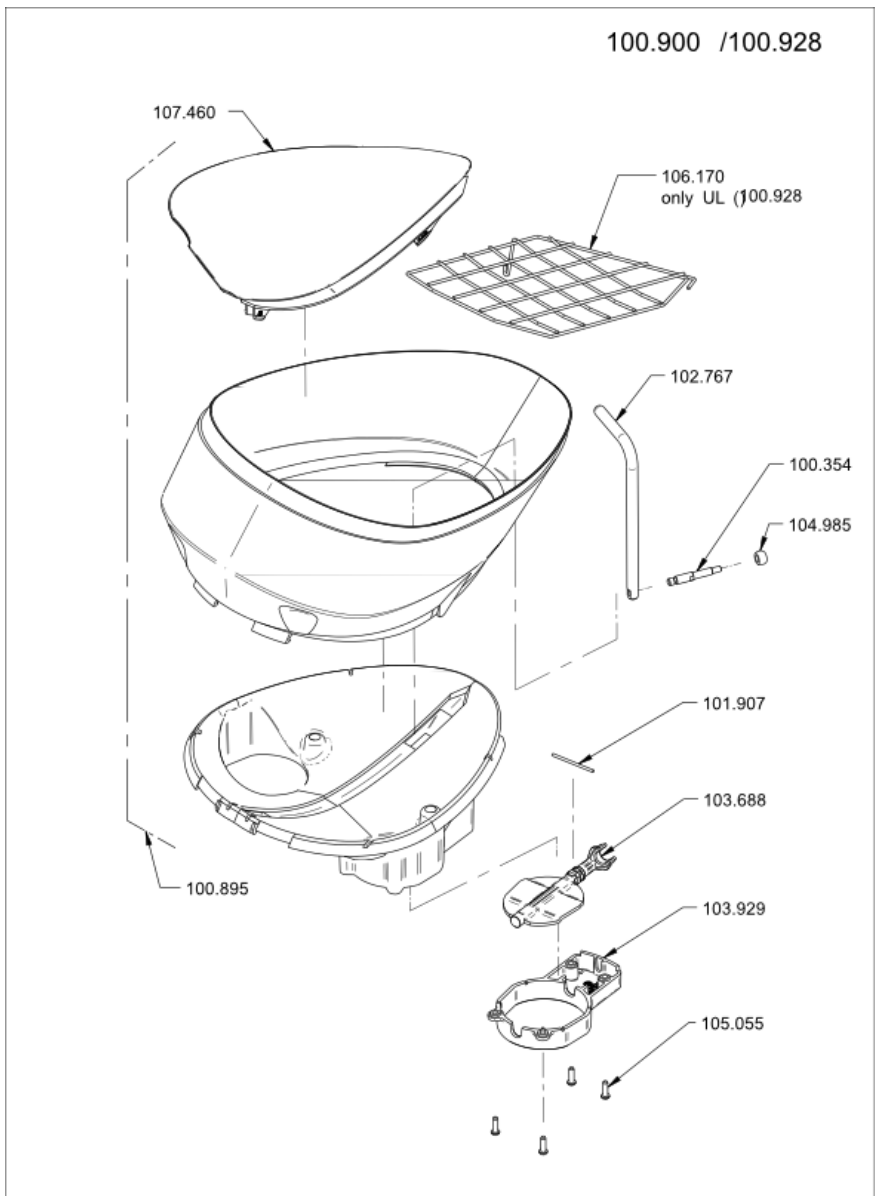
1.18 Bean hopper 2M with lock cpl.



1.19 Bean hopper 1M with lock cpl.

Article no.	Description	Quantity
100.354	Shaft for closure	1
100.882	Bean hopper 1 M UL with lock cpl.	1
100.895	Set bean hopper 1M cpl.	1
100.900	Bean hopper 1M	1
100.928	Bean hopper 1 mills UL, assembly	1
101.269	Bean hopper cover lockable	1
101.272	Lid bean hopper with lock	1
101.907	Spring for closure	1
102.767	Bean hopper right closing handle	1
103.688	Bean hopper right closure plate	1
103.929	Support for closure plate	1
104.985	Slide bearing ø5x6	1
105.055	Oval head PT screw Phi. KA35x12	4
106.070	Key (2 pcs.)	1
106.170	Grid protection 1x1.0kg UL	1
106.754	Washer STS ø8	1
107.460	Partition bean hopper 1 mill	1
108.301	Bean hopper locking plate	1
108.328	Cylinder lock with key	1

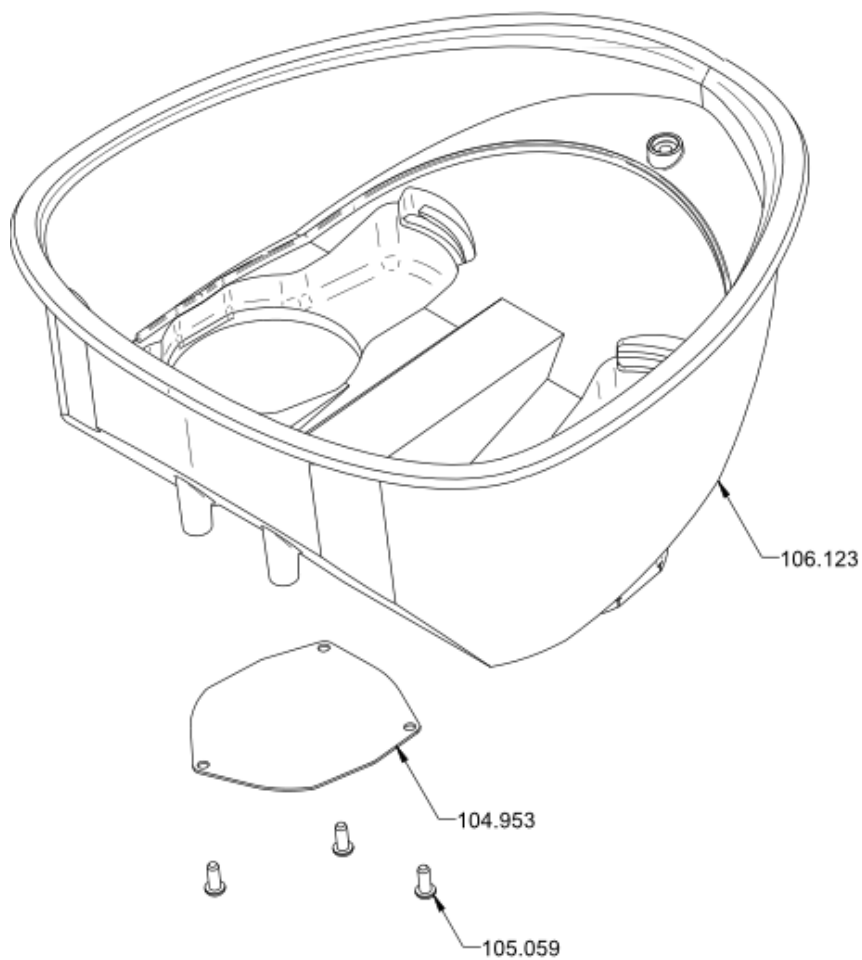
1.19 Bean hopper 1M with lock cpl.



1.20 Bean hopper protection 1 mill, assembly

Article no.	Description	Quantity
104.953	Plate M1	1
105.059	Oval head PT screw Phillips KA40x10	3
106.123	Bean hopper protection	1

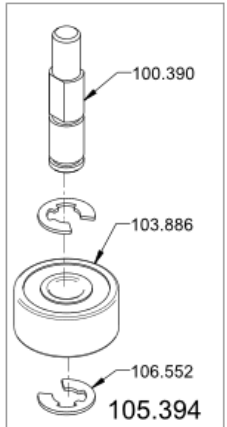
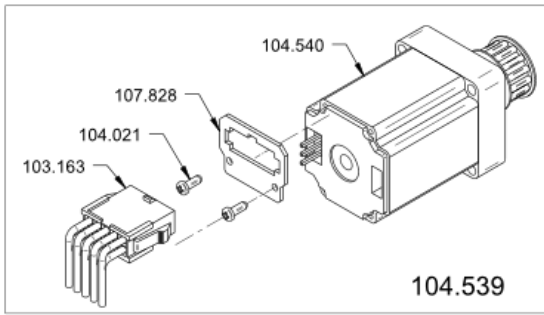
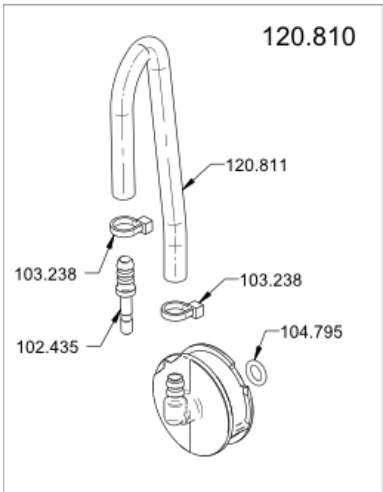
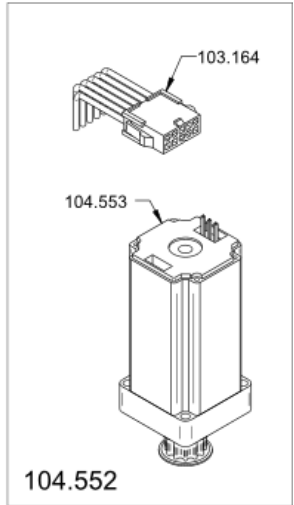
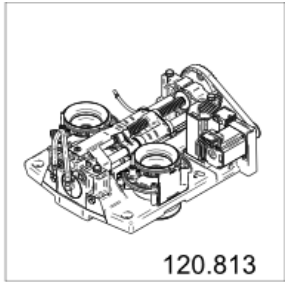
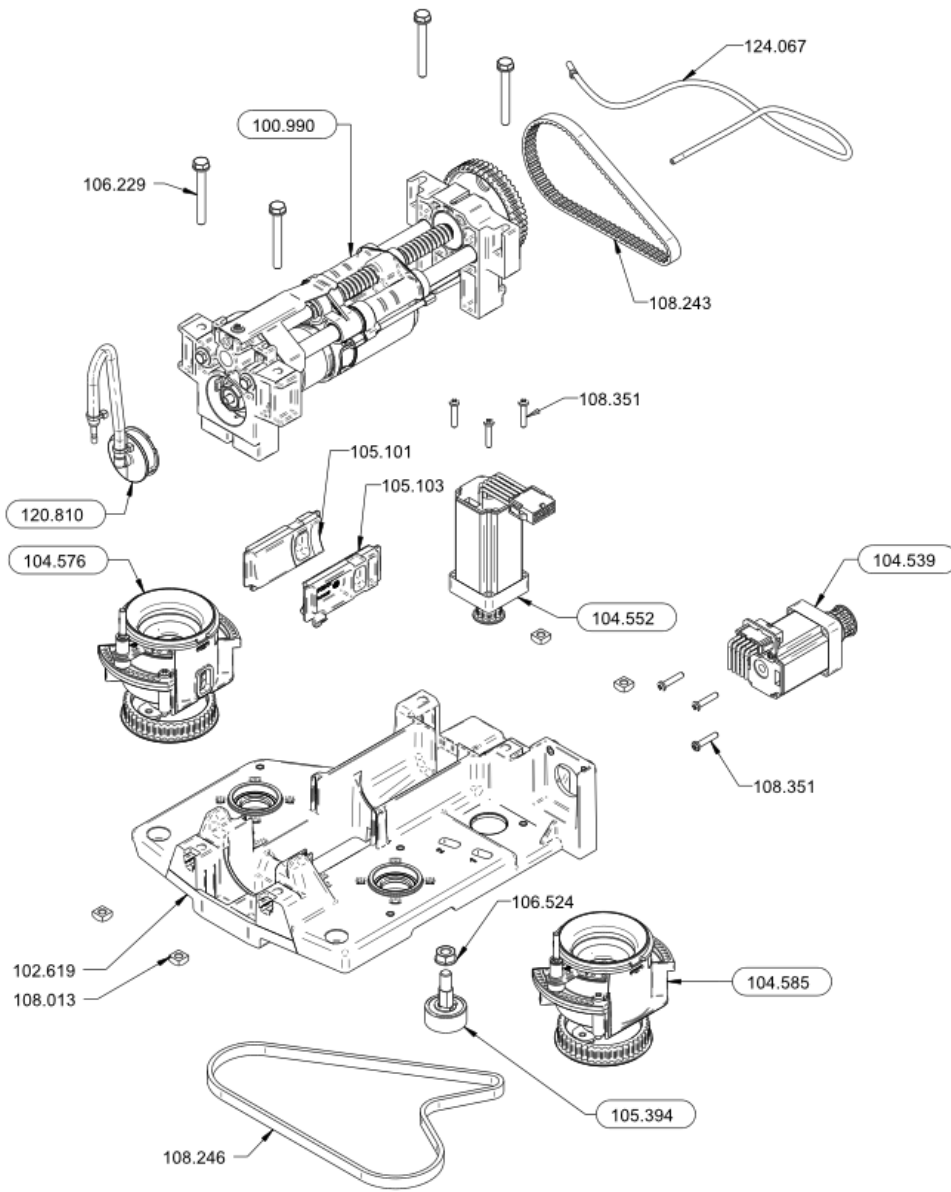
1.20 Bean hopper protection 1 mill, assembly



1.21 Mechanical module 2 mills BWone assy.

Article no.	Description	Quantity
100.390	Shaft	1
100.990	Brew unit small assy.	1
102.435	Straight connection ø4	1
102.619	Mechanical base plate	1
103.163	Wiring harness DC-motor	1
103.164	Wiring harness motor with filter	1
103.238	Cable tie	2
103.886	Bearing	1
104.021	Oval head thread forming screw Phi. M2.5	2
104.539	Brew chamber motor, assembly	1
104.540	Brew chamber motor Z14, assembly	1
104.552	Mill ø54 motor with wiring harness, assy.	1
104.553	Grinder motor brushless, assy.	1
104.576	Mill ø54 left, assembly	1
104.576	Mill ø54 left, assembly	1
104.585	Mill ø54 right, assembly	1
104.795	O-Ring 6.07x1.78 FKM	1
105.101	Powder diffuser left grinder	1
105.103	Powder diffuser right grinder	1
105.394	Belt tensioning roller, assembly	1
106.229	Hex cap assembled screw M6x50	4
106.524	Lock nut M8 Serpress	1
106.552	Lock washer ø8 for shaft	2
107.828	Support connector 10poles	1
108.013	Square nut M6	4
108.243	Toothbelt 10 T5/365-PAZ	1
108.246	Toothbelt 610-5M-9	1
108.351	Cheese head screw Phillips M4x20	6
120.810	Connection MECA - POD	1
120.811	Silicone hose ø8.5/4 x 220mm	1
124.067	FEP pipe ø4/2 x 560mm	1

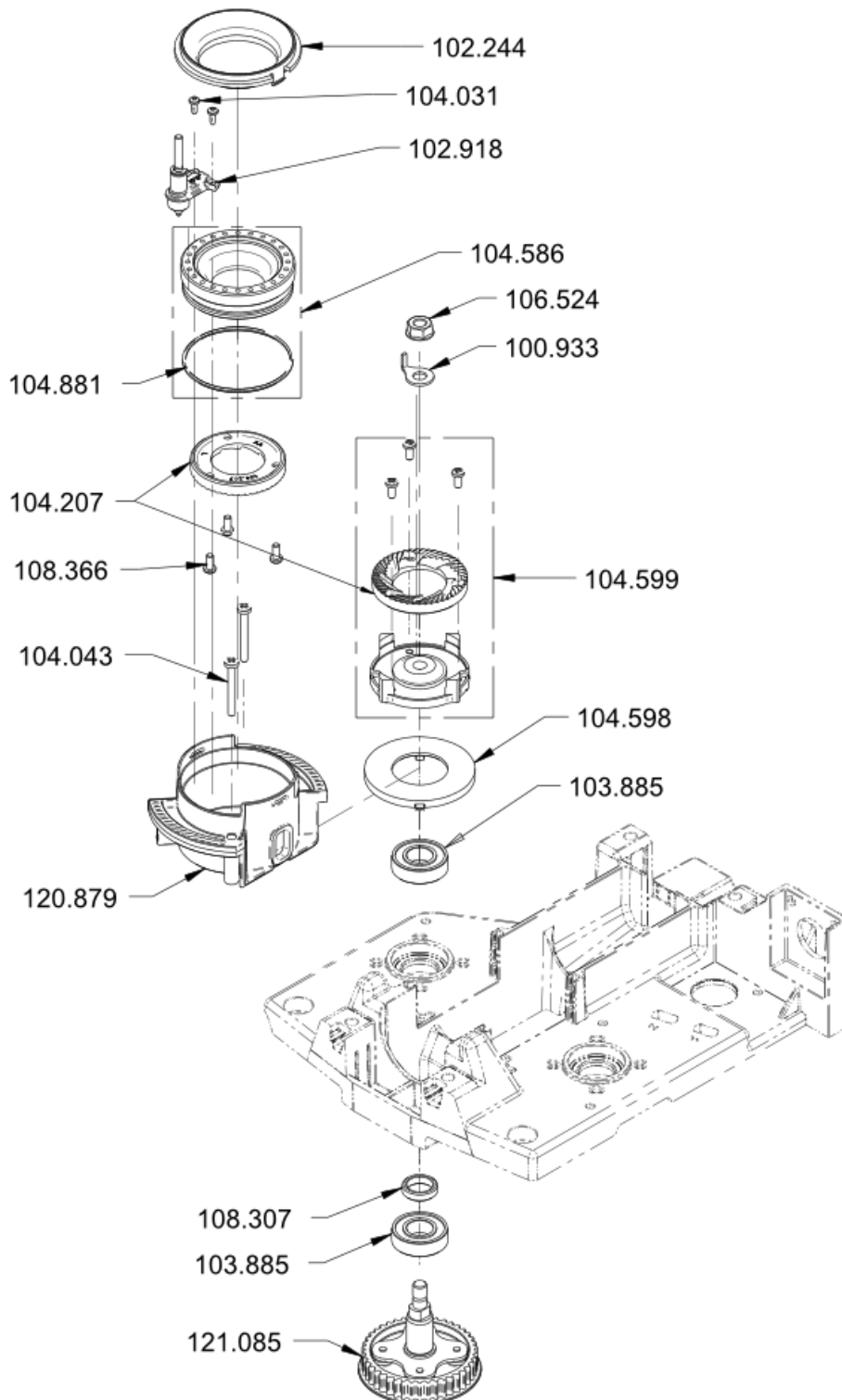
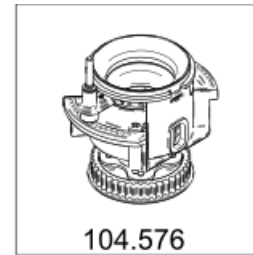
1.21 Mechanical module 2 mills BWone assy.



1.21.1 Mill ø54 left, assembly

Article no.	Description	Quantity
100.933	Agitator ø54 grinder	1
102.244	Bean guide disc	1
102.918	Mill ø54 adjustment, assembly	1
103.885	Ball bearing 6002	2
103.885	Ball bearing 6002	2
104.031	Oval head thread forming screw Phi. M3x8	2
104.043	Oval head screw Phillips M4x35	2
104.207	Grinder disc (pair) ø54 left	0.5
104.586	Mill upper support ø54, assy.	1
104.598	Partition ring grinder	1
104.599	Lower grinding disc ø54 left, assy.	1
104.881	O-Ring 59.00x2.00 NBR	1
106.524	Lock nut M8 Serpress	1
108.307	Distance bushing mill ø54	1
108.366	Socket head screw M4x9 Tuflok	3
120.879	Grinder body ø54	1
121.085	Toothbelt pulley mill BWone assembly	1

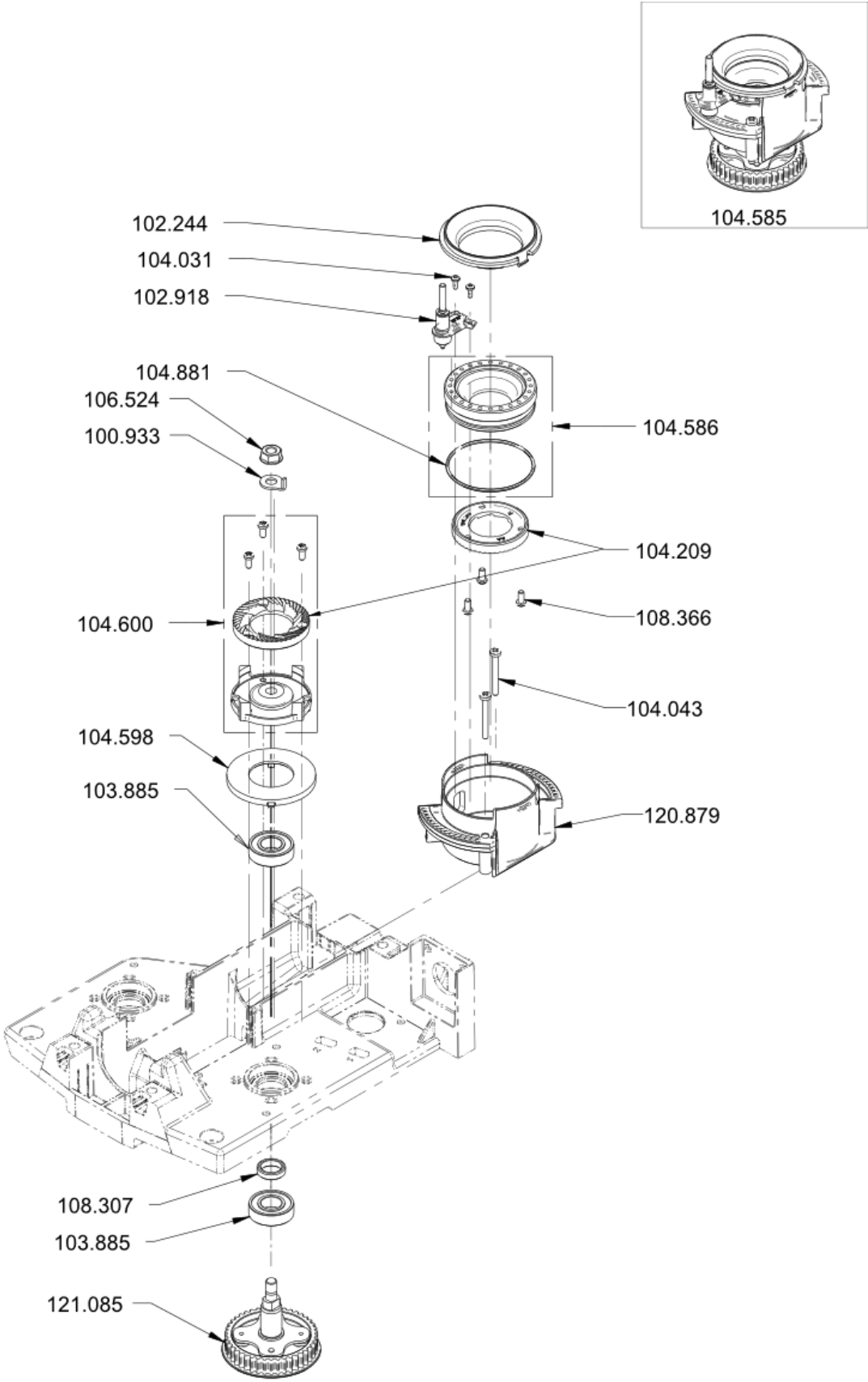
1.21.1 Mill ø54 left, assembly



1.21.2 Mill ø54 right, assembly

Article no.	Description	Quantity
100.933	Agitator ø54 grinder	1
102.244	Bean guide disc	1
102.918	Mill ø54 adjustment, assembly	1
103.885	Ball bearing 6002	2
103.885	Ball bearing 6002	2
104.031	Oval head thread forming screw Phi. M3x8	2
104.043	Oval head screw Phillips M4x35	2
104.209	Grinder disc (pair) ø54 right	0.5
104.586	Mill upper support ø54, assy.	1
104.598	Partition ring grinder	1
104.600	Lower grinding disc ø54 right, assy.	1
104.881	O-Ring 59.00x2.00 NBR	1
106.524	Lock nut M8 Serpress	1
108.307	Distance bushing mill ø54	1
108.366	Socket head screw M4x9 Tuflok	3
120.879	Grinder body ø54	1
121.085	Toothbelt pulley mill BWone assembly	1

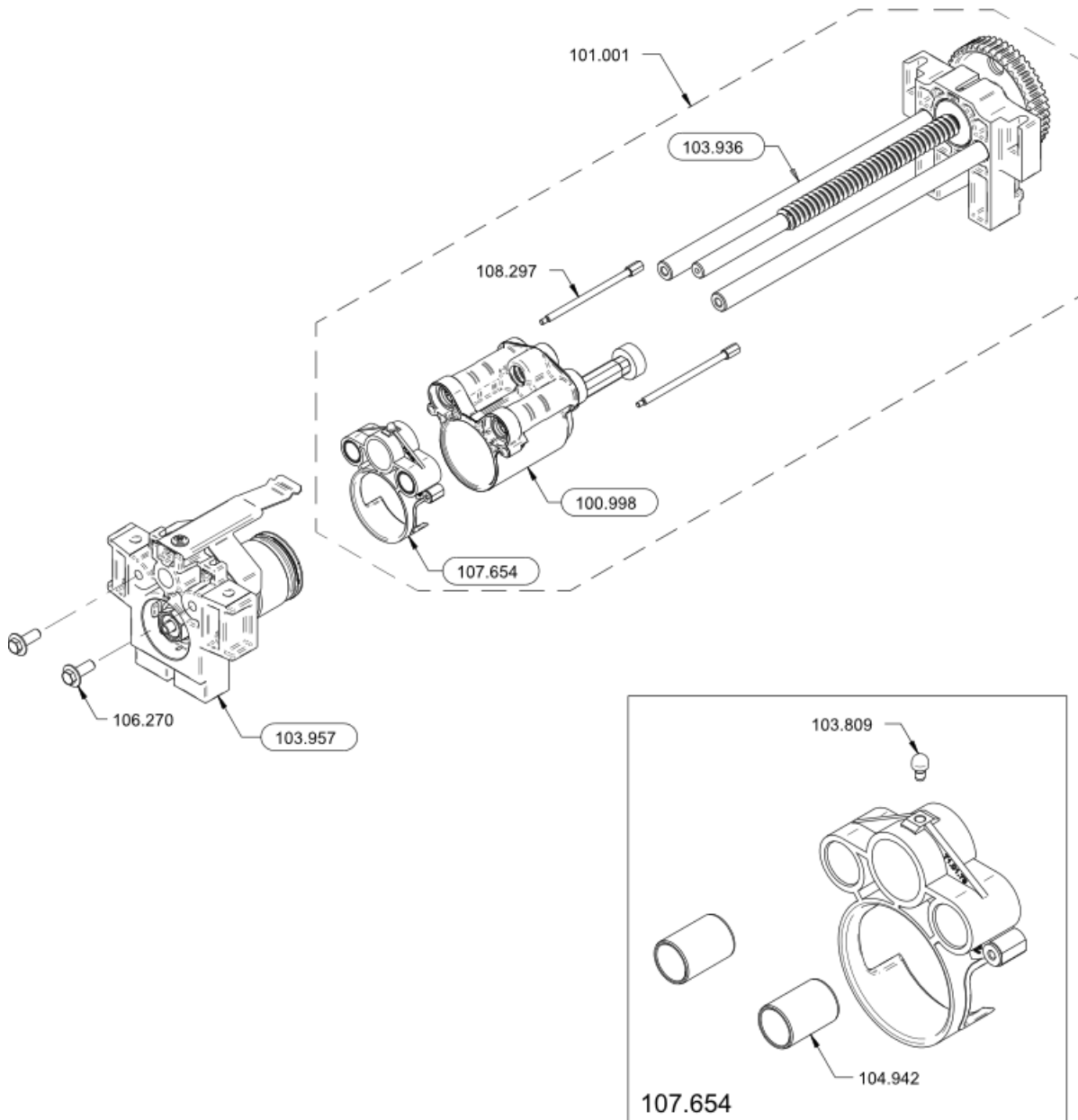
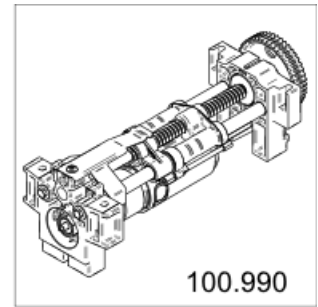
1.21.2 Mill ø54 right, assembly



1.21.3 Brew unit small assy.

Article no.	Description	Quantity
100.998	Brew chamber with piston, assy.	1
101.001	Brew chamber and rear block, assembly	1
103.809	Knop	1
103.936	Rear block assy.	1
103.957	Front block, assy.	1
104.942	Guide sleeve P10	2
106.270	Hexagonal head screw M6x16	2
107.654	Clip collar, assembly	1
108.297	Pull rod, assy.	2

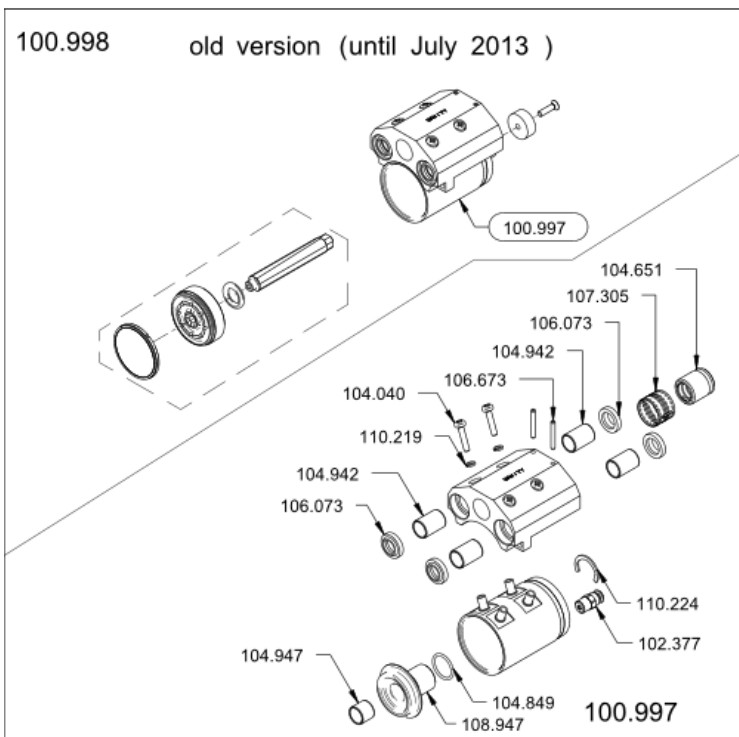
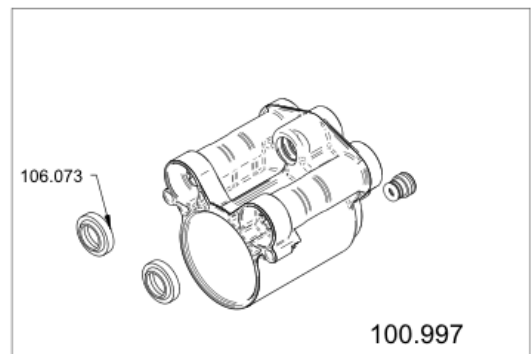
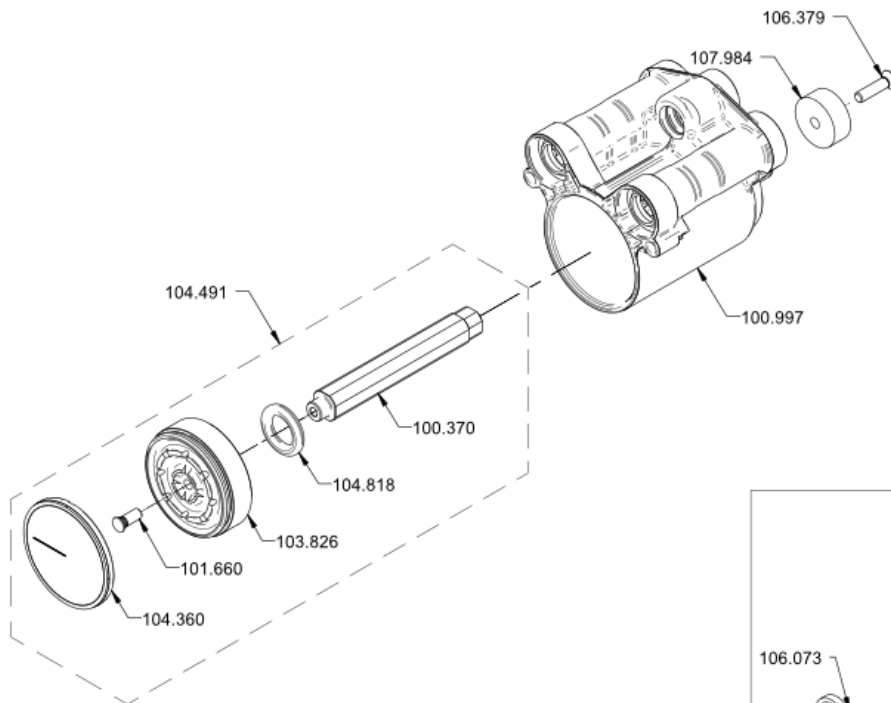
1.21.3 Brew unit small assy.



1.21.3.1 Brew chamber with piston, assy.

Article no.	Description	Quantity
100.370	Rod mobile piston	1
100.997	Brew chamber with guide, assy.	1
101.660	Bolt screw to crimp PEM KFH-M4-10	1
102.377	Straight connector 4-1/8K	1
103.826	Head of mobile piston	1
104.040	Oval head screw Phillips M4x20	4
104.360	Filter with clip	1
104.491	Moving piston, assembly	1
104.651	Brew chamber nut 14x4	1
104.818	O-Ring 10.69x3.53 FKM	1
104.849	O-Ring 17.17x1.78 FKM	1
104.942	Guide sleeve P10	4
104.947	Guide sleeve P11 PAP 1212	1
106.073	Scraper ring G12x19x3/5	2
106.379	Countersunk screw Phillips M4x16	1
106.673	Roll pin ø3x24	2
107.305	Guide sleeve ø20x16	1
107.984	Pot magnet ø20x8	1
108.947	Sleeve brew chamber PEEK	1
110.219	Spring waring M4	4
110.224	Benzing crescent ring for shaft d20	1

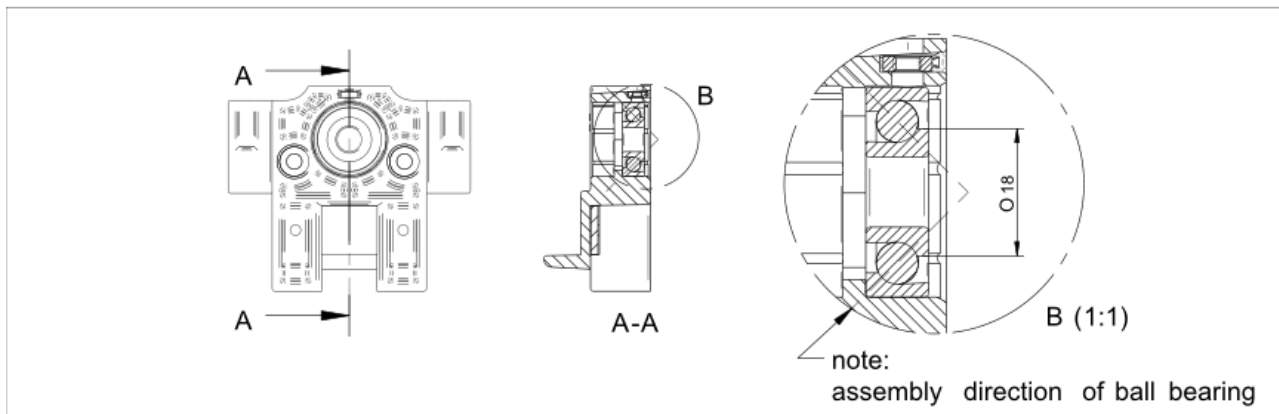
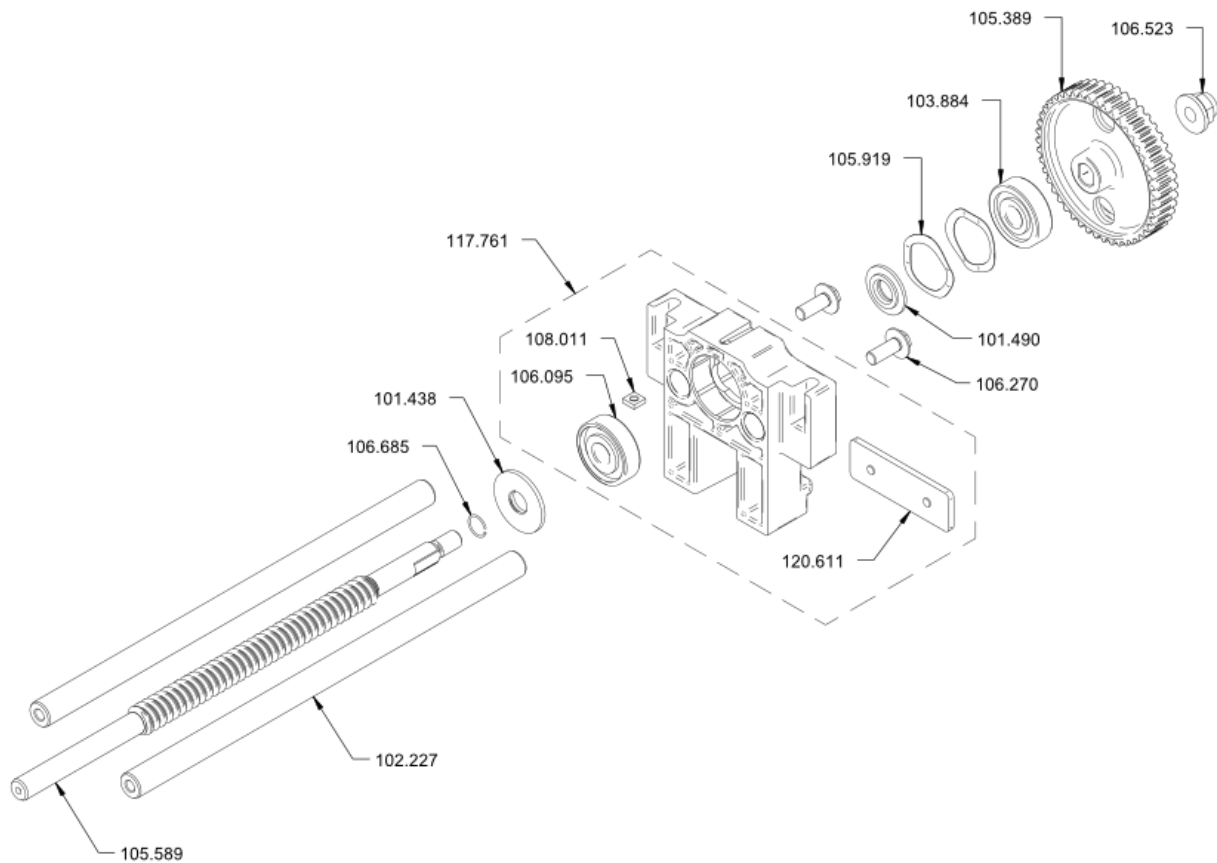
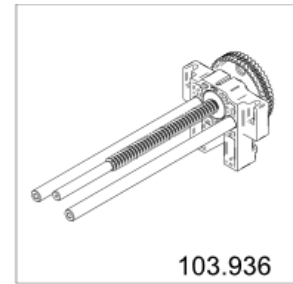
1.21.3.1 Brew chamber with piston, assy.



1.21.3.2 Rear block assy.

Article no.	Description	Quantity
101.438	Washer $\varnothing 29/10 \times 2.5$	1
101.490	Spacer	1
102.227	Guide rail	2
103.884	Ball bearing	1
105.389	Toothbelt pulley 46Z-T5	1
105.589	Drive spindle Rondo 14x4	1
105.919	Spring washer $\varnothing 30/22 \times 0.3$	2
106.095	Axial bearing 7200	1
106.270	Hexagonal head screw M6x16	2
106.523	Prevailing torque hex nut M8 with flange	1
106.685	Snap ring for shaft $\varnothing 10$	1
108.011	Square nut M4	1
117.761	Rear support with ball bear	1
120.611	Spring steel plate	1

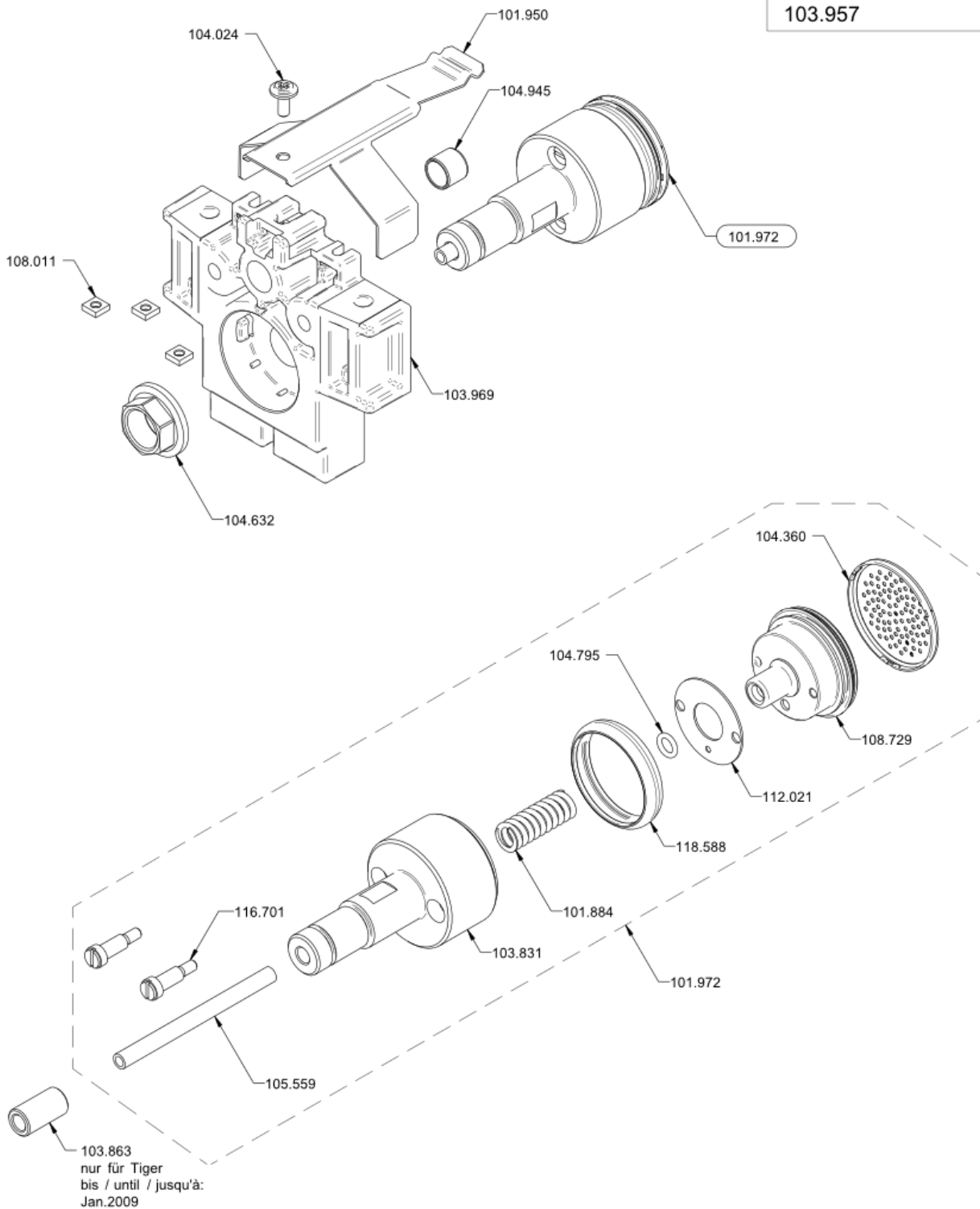
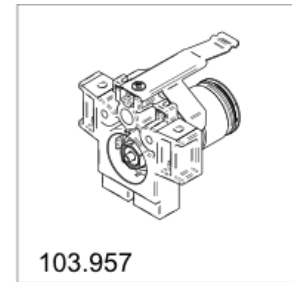
1.21.3.2 Rear block assy.



1.21.3.3 Front block, assy.

Article no.	Description	Quantity
101.884	Spring $\varnothing 11/2 \times 36$	1
101.950	Spring plate	1
101.972	Fix piston Tiger / BWone, assy.	1
103.831	Guide collector with cuff	1
103.863	Coffee tube body	1
103.969	Front block Tiger	1
104.024	Lens head screw M04x10 Phillips	1
104.360	Filter with clip	1
104.632	Nut M16x1	1
104.795	O-Ring 6.07x1.78 FKM	1
104.945	Guide sleeve PAP 1010 P10	1
105.559	FEP pipe $\varnothing 6/4 \times 75$ mm	1
108.011	Square nut M4	3
108.729	Piston screen bracket PEEK	1
112.021	Washer support piston collector	1
116.701	Spacer Screw M4	2
118.588	Cuff fix piston	1

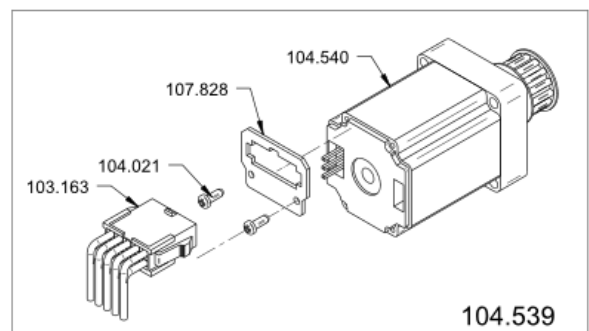
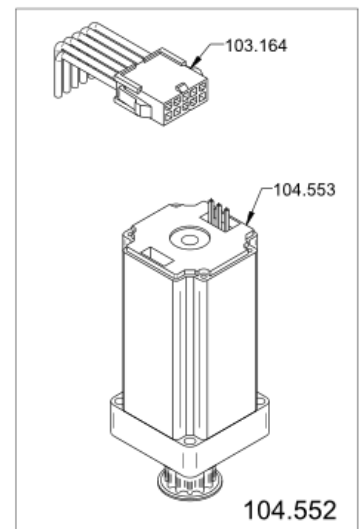
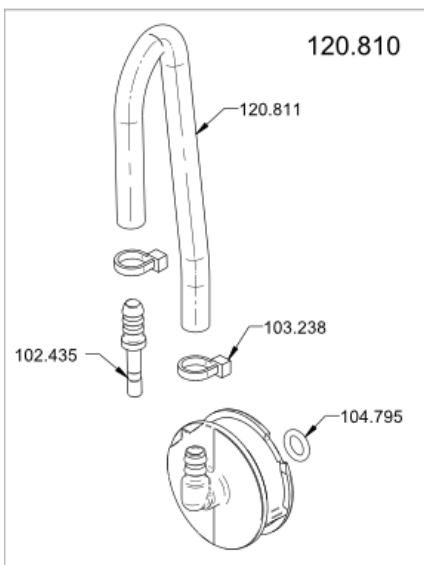
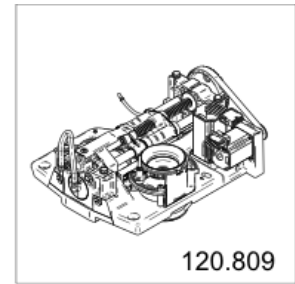
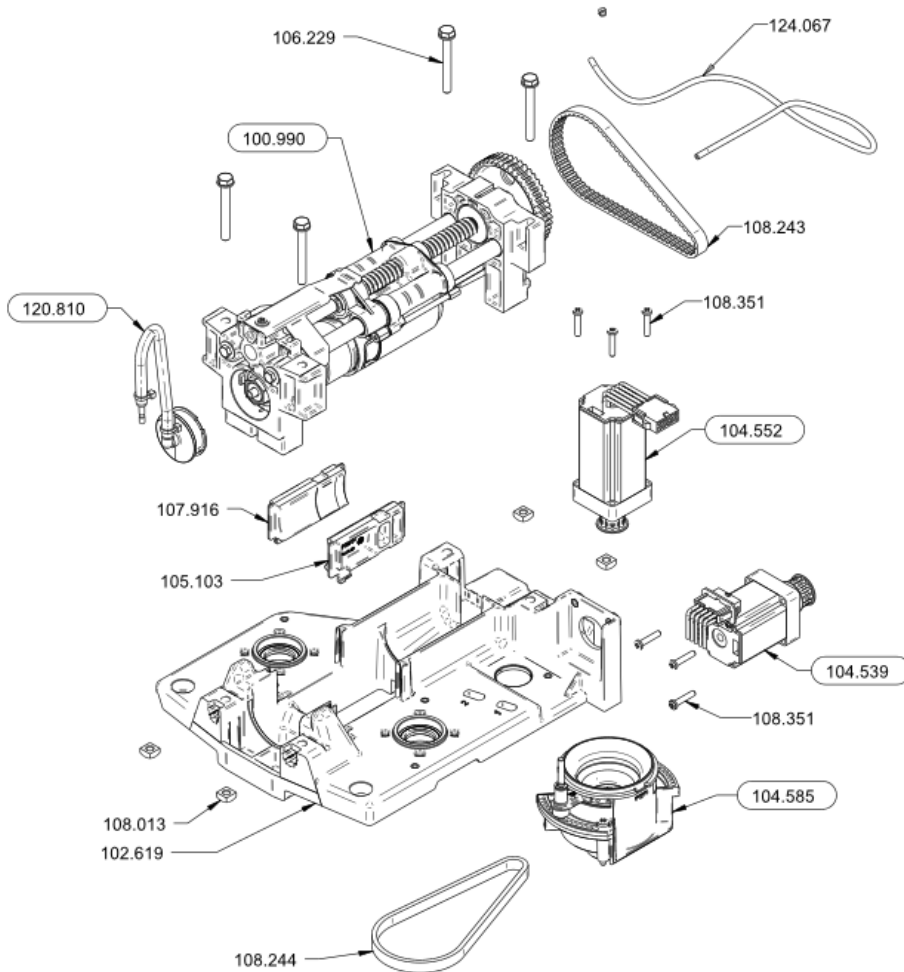
1.21.3.3 Front block, assy.



1.22 Mechanical module 1 mill BWone assy.

Article no.	Description	Quantity
100.990	Brew unit small assy.	1
102.435	Straight connection ø4	1
102.619	Mechanical base plate	1
103.163	Wiring harness DC-motor	1
103.164	Wiring harness motor with filter	1
103.238	Cable tie	2
104.021	Oval head thread forming screw Phi. M2.5	2
104.539	Brew chamber motor, assembly	1
104.540	Brew chamber motor Z14, assembly	1
104.552	Mill ø54 motor with wiring harness, assy.	1
104.553	Grinder motor brushless, assy.	1
104.585	Mill ø54 right, assembly	1
104.795	O-Ring 6.07x1.78 FKM	1
105.103	Powder diffuser right grinder	1
106.229	Hex cap assembled screw M6x50	4
107.828	Support connector 10poles	1
107.916	Cap for powder channel	1
108.013	Square nut M6	4
108.243	Toothbelt 10 T5/365-PAZ	1
108.244	Toothed belt, 360-5M-9	1
108.351	Cheese head screw Phillips M4x20	6
120.810	Connection MECA - POD	1
120.811	Silicone hose ø8.5/4 x 220mm	1
124.067	FEP pipe ø4/2 x 560mm	1

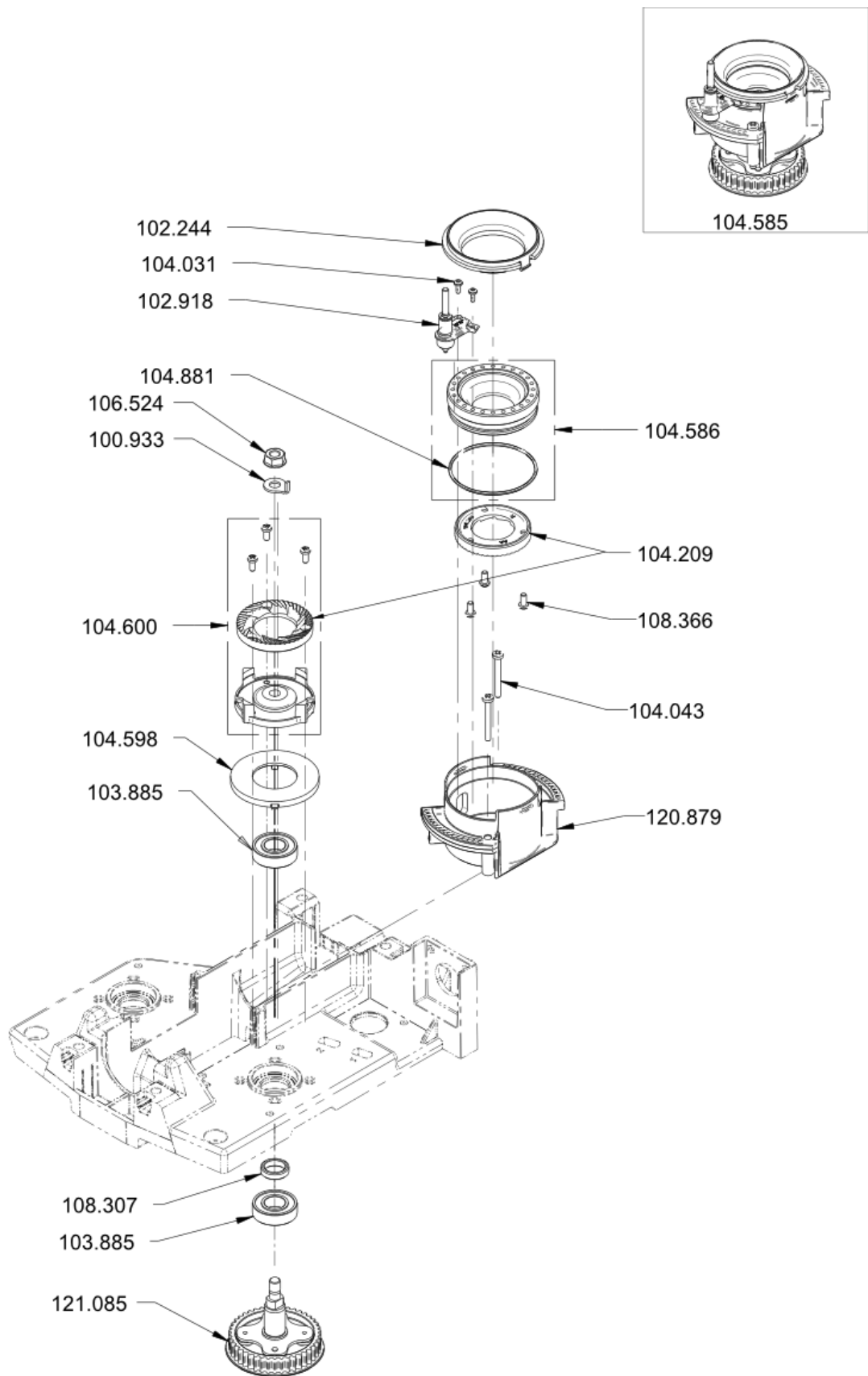
1.22 Mechanical module 1 mill BWone assy.



1.22.1 Mill ø54 right, assembly

Article no.	Description	Quantity
100.933	Agitator ø54 grinder	1
102.244	Bean guide disc	1
102.918	Mill ø54 adjustment, assembly	1
103.885	Ball bearing 6002	2
103.885	Ball bearing 6002	2
104.031	Oval head thread forming screw Phi. M3x8	2
104.043	Oval head screw Phillips M4x35	2
104.209	Grinder disc (pair) ø54 right	0.5
104.586	Mill upper support ø54, assy.	1
104.598	Partition ring grinder	1
104.600	Lower grinding disc ø54 right, assy.	1
104.881	O-Ring 59.00x2.00 NBR	1
106.524	Lock nut M8 Serpress	1
108.307	Distance bushing mill ø54	1
108.366	Socket head screw M4x9 Tuflok	3
120.879	Grinder body ø54	1
121.085	Toothbelt pulley mill BWone assembly	1

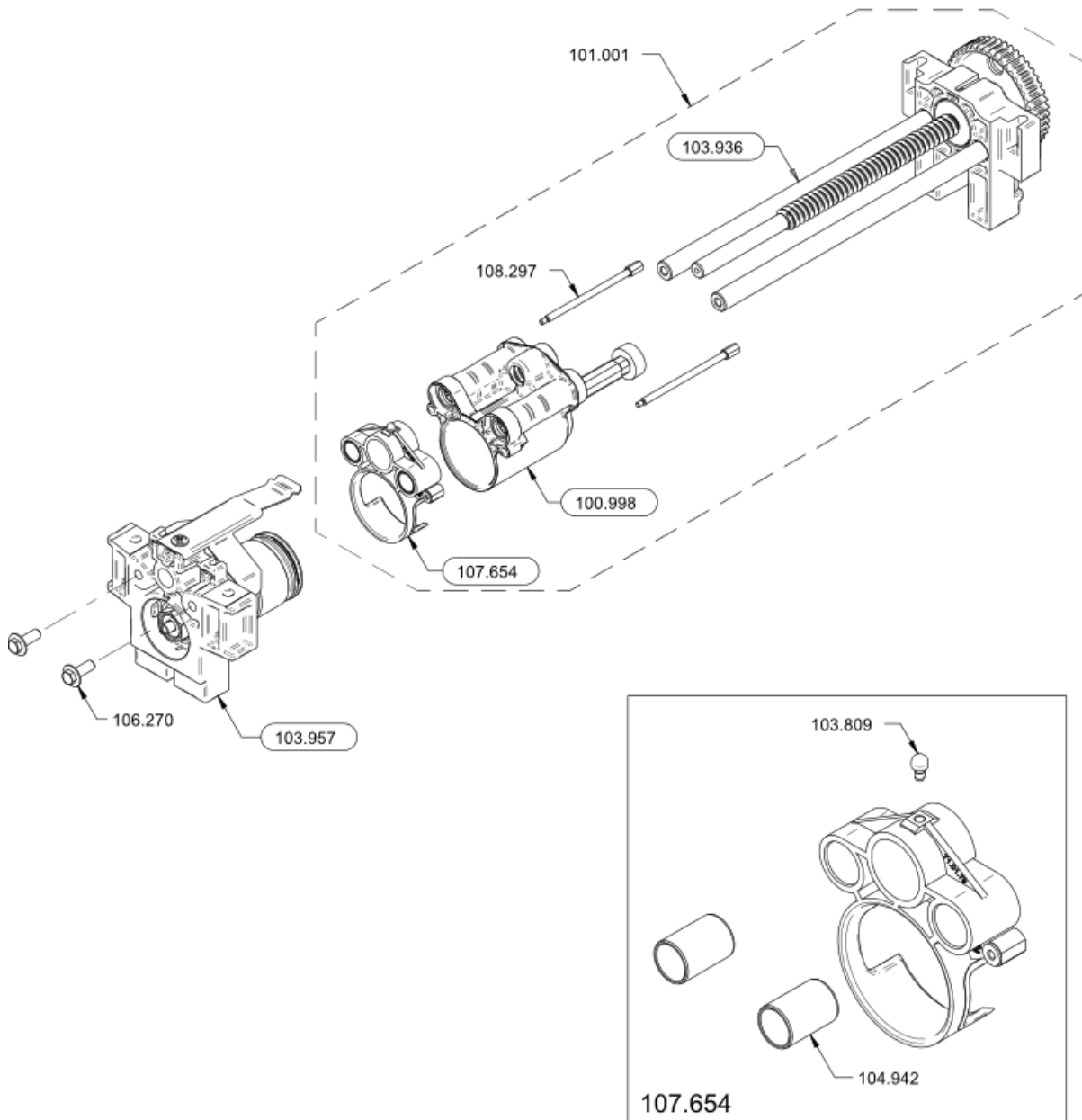
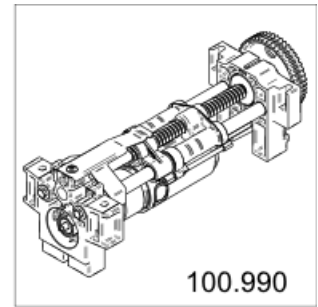
1.22.1 Mill ø54 right, assembly



1.22.2 Brew unit small assy.

Article no.	Description	Quantity
100.998	Brew chamber with piston, assy.	1
101.001	Brew chamber and rear block, assembly	1
103.809	Knop	1
103.936	Rear block assy.	1
103.957	Front block, assy.	1
104.942	Guide sleeve P10	2
106.270	Hexagonal head screw M6x16	2
107.654	Clip collar, assembly	1
108.297	Pull rod, assy.	2

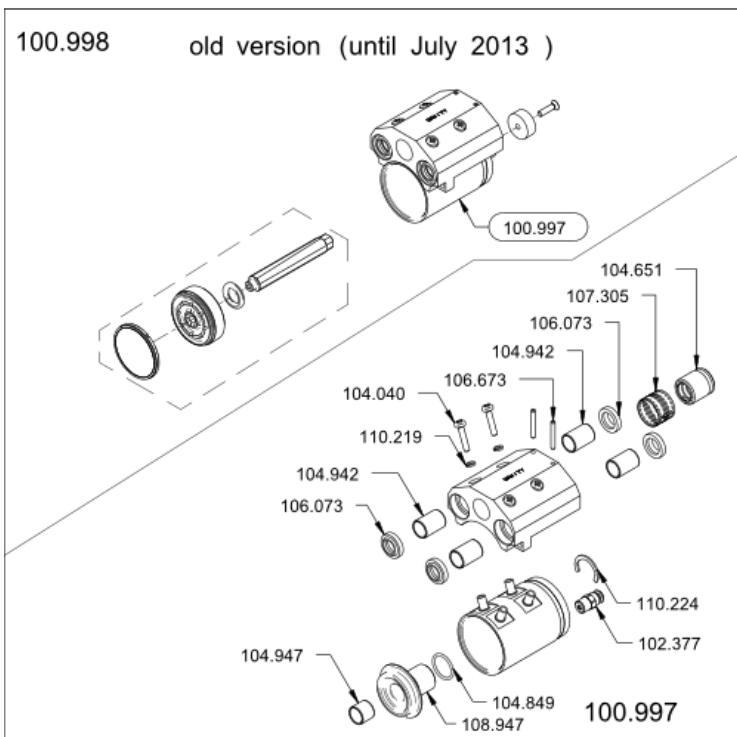
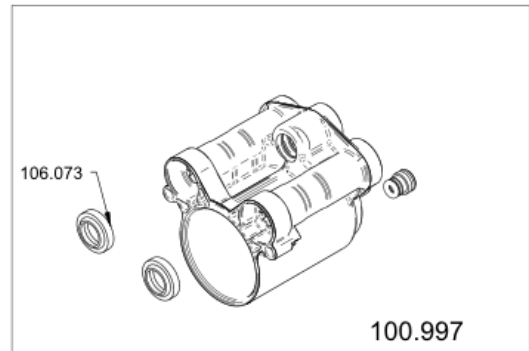
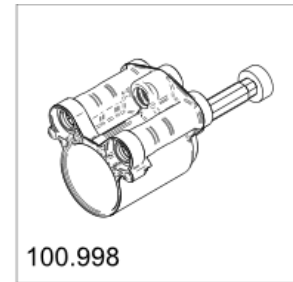
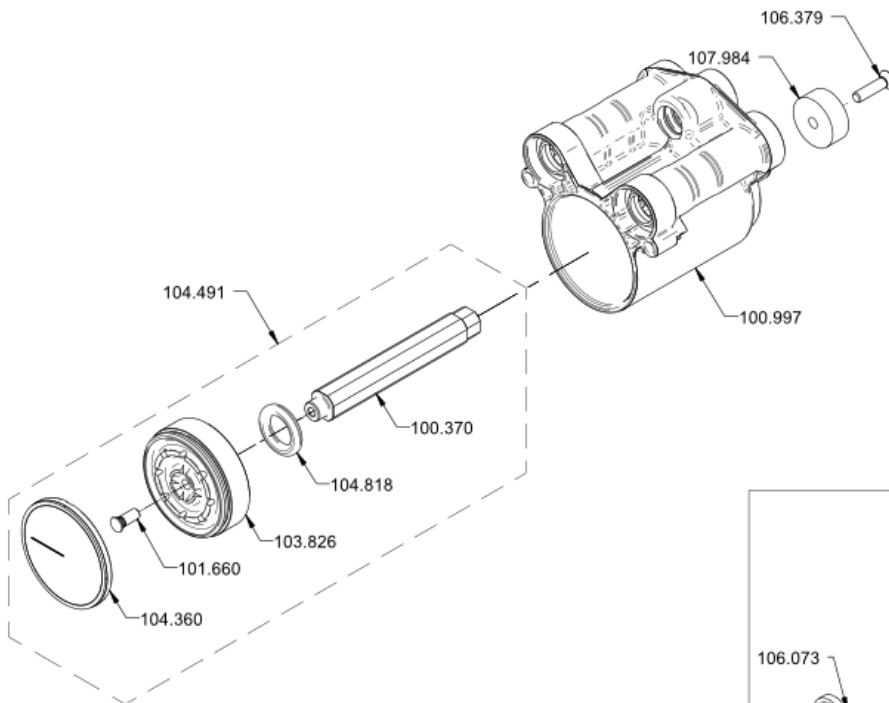
1.22.2 Brew unit small assy.



1.22.2.1 Brew chamber with piston, assy.

Article no.	Description	Quantity
100.370	Rod mobile piston	1
100.997	Brew chamber with guide, assy.	1
101.660	Bolt screw to crimp PEM KFH-M4-10	1
102.377	Straight connector 4-1/8K	1
103.826	Head of mobile piston	1
104.040	Oval head screw Phillips M4x20	4
104.360	Filter with clip	1
104.491	Moving piston, assembly	1
104.651	Brew chamber nut 14x4	1
104.818	O-Ring 10.69x3.53 FKM	1
104.849	O-Ring 17.17x1.78 FKM	1
104.942	Guide sleeve P10	4
104.947	Guide sleeve P11 PAP 1212	1
106.073	Scraper ring G12x19x3/5	2
106.379	Countersunk screw Phillips M4x16	1
106.673	Roll pin ø3x24	2
107.305	Guide sleeve ø20x16	1
107.984	Pot magnet ø20x8	1
108.947	Sleeve brew chamber PEEK	1
110.219	Spring waring M4	4
110.224	Benzing crescent ring for shaft d20	1

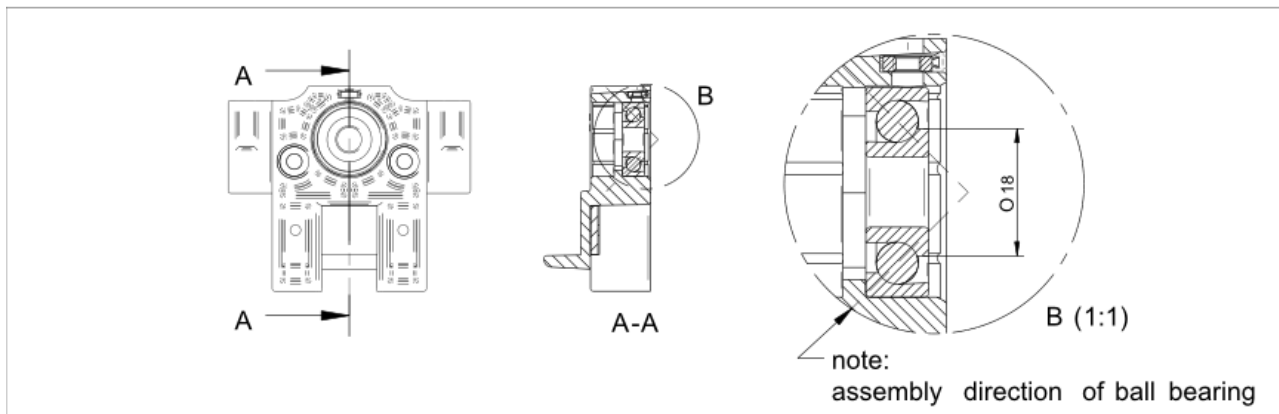
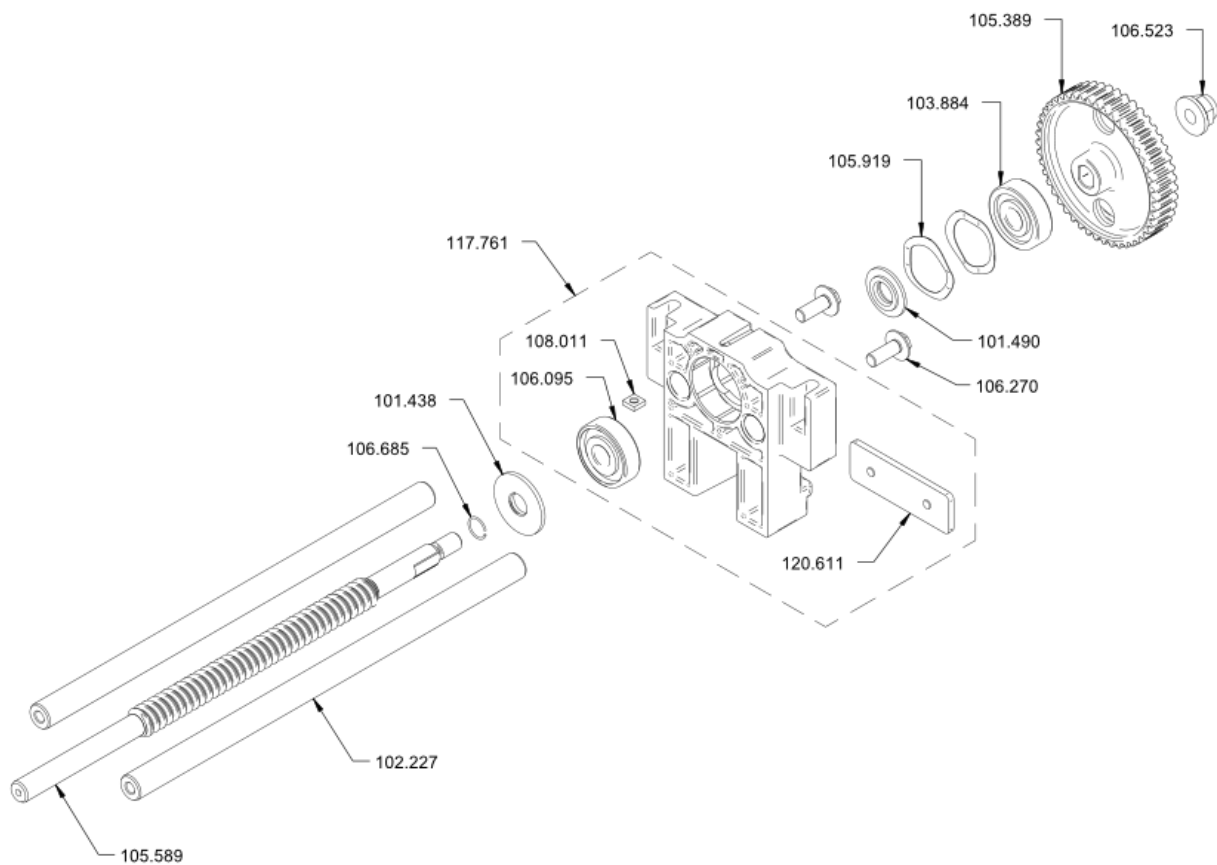
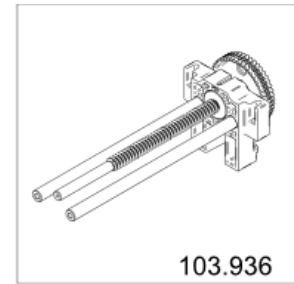
1.22.2.1 Brew chamber with piston, assy.



1.22.2.2 Rear block assy.

Article no.	Description	Quantity
101.438	Washer $\varnothing 29/10 \times 2.5$	1
101.490	Spacer	1
102.227	Guide rail	2
103.884	Ball bearing	1
105.389	Toothbelt pulley 46Z-T5	1
105.589	Drive spindle Rondo 14x4	1
105.919	Spring washer $\varnothing 30/22 \times 0.3$	2
106.095	Axial bearing 7200	1
106.270	Hexagonal head screw M6x16	2
106.523	Prevailing torque hex nut M8 with flange	1
106.685	Snap ring for shaft $\varnothing 10$	1
108.011	Square nut M4	1
117.761	Rear support with ball bear	1
120.611	Spring steel plate	1

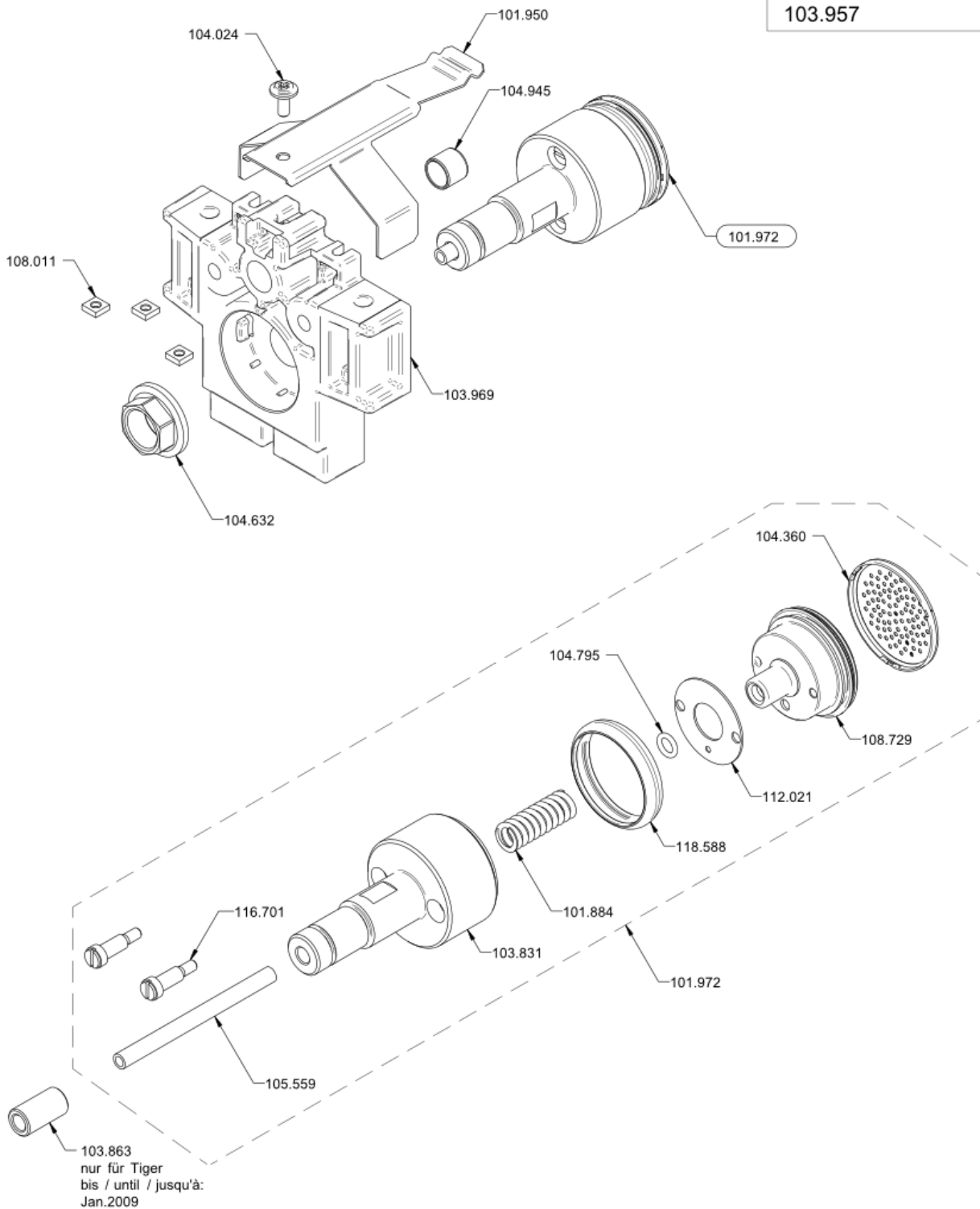
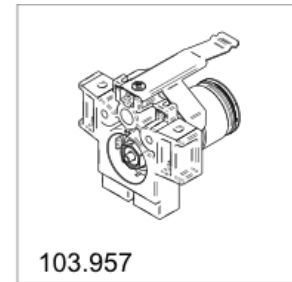
1.22.2.2 Rear block assy.



1.22.2.3 Front block, assy.

Article no.	Description	Quantity
101.884	Spring $\varnothing 11/2 \times 36$	1
101.950	Spring plate	1
101.972	Fix piston Tiger / BWone, assy.	1
103.831	Guide collector with cuff	1
103.863	Coffee tube body	1
103.969	Front block Tiger	1
104.024	Lens head screw M04x10 Phillips	1
104.360	Filter with clip	1
104.632	Nut M16x1	1
104.795	O-Ring 6.07x1.78 FKM	1
104.945	Guide sleeve PAP 1010 P10	1
105.559	FEP pipe $\varnothing 6/4 \times 75$ mm	1
108.011	Square nut M4	3
108.729	Piston screen bracket PEEK	1
112.021	Washer support piston collector	1
116.701	Spacer Screw M4	2
118.588	Cuff fix piston	1

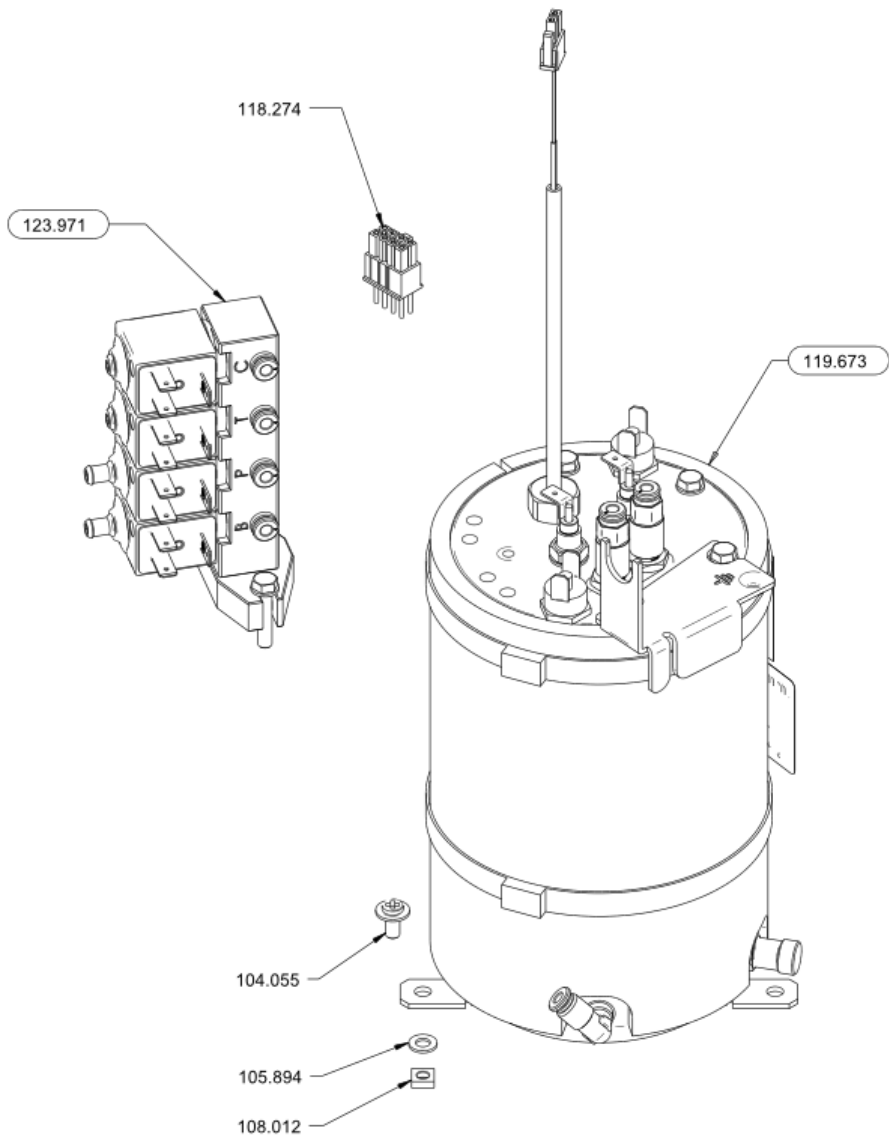
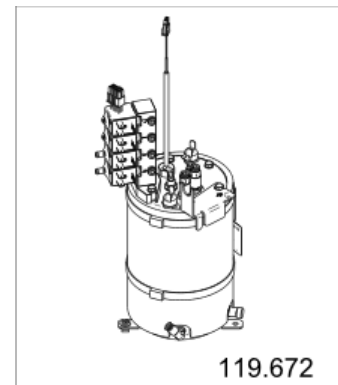
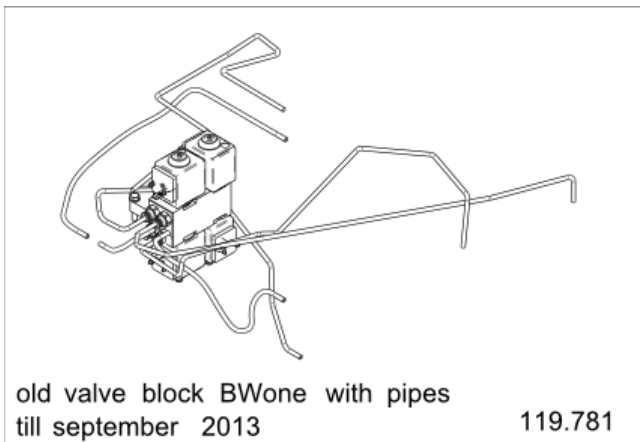
1.22.2.3 Front block, assy.



1.23 Boiler CTM BWone set

Article no.	Description	Quantity
104.055	Oval head screw M5x10 Phillips	1
105.894	Washer M5	1
108.012	Square nut M5	1
118.274	Wiring harness valves block BWone	1
119.673	Coffee boiler CTM BWone assy.	1
119.781	Valveblock BWone set	1
123.971	Valve block BWone set	1
123.971	Valve block BWone set	1

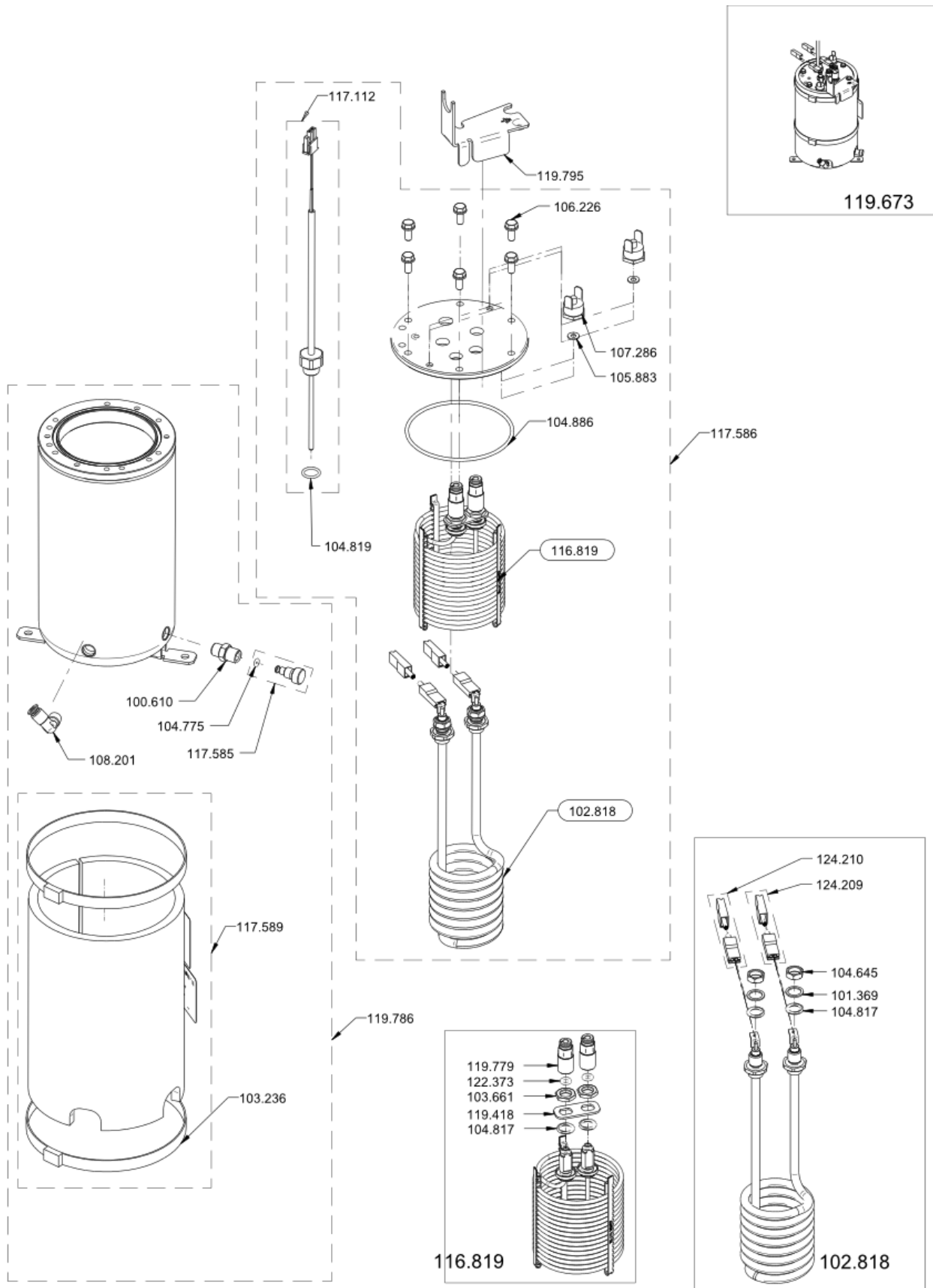
1.23 Boiler CTM BWone set



1.23.1 Coffee boiler CTM BWone assy.

Article no.	Description	Quantity
100.610	Drain plug adapter	1
101.369	Seal ø13/10x1 for heating element	2
102.818	Heating element 2.5KW, assembly	1
103.236	Cable tie 550x8.9	2
103.661	Nut G1/8"	2
104.645	Nut for boiler heating	2
104.775	O-Ring 2.90x1.78 FKM	1
104.817	O-Ring 9.00x2.00 EPDM	2
104.817	O-Ring 9.00x2.00 EPDM	2
104.819	O-Ring 10.82x1.78 VMQ	1
104.886	O-Ring 78.00x2.50 EPDM	1
105.883	Flat washer M4	2
106.226	Hexagon head cap screw M5x12	6
107.286	Thermal security 125°C HM	2
108.201	Elbow fitting 4-1/8K	1
116.819	Milk heating coil 16Wi. cramp assy	1
117.112	NTC Sensor Boiler	1
117.585	Drain plug Set	1
117.586	Heating coffee CTM BW2/3 assy.	1
117.589	Isolating coffee boiler BW2v2/BW3 Set	1
119.418	Safety sheet	1
119.779	Coil connection assy.	2
119.786	Coffee boiler BWone with insulation	1
119.795	Support coffee boiler	1
122.373	O-Ring 5.28x1.78 EPDM	2
124.209	Connect. cable blue 2.5kW	1
124.210	Connect. cable red 2.5kW	1

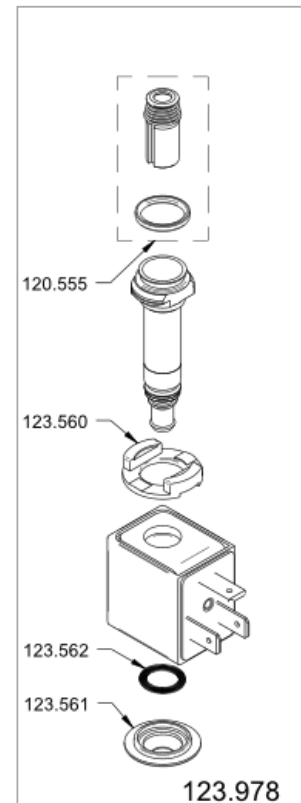
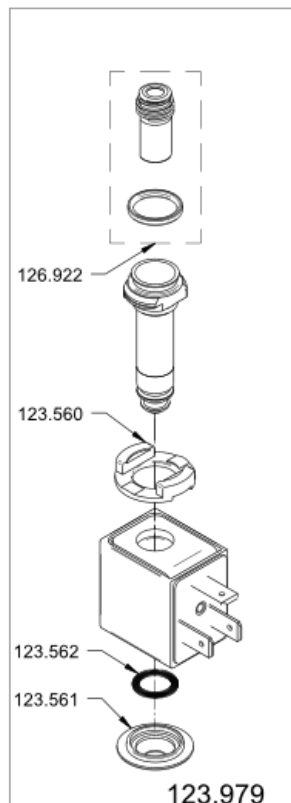
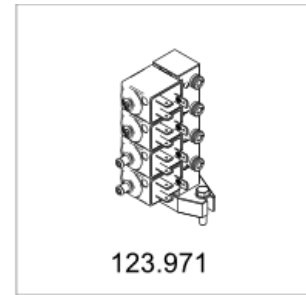
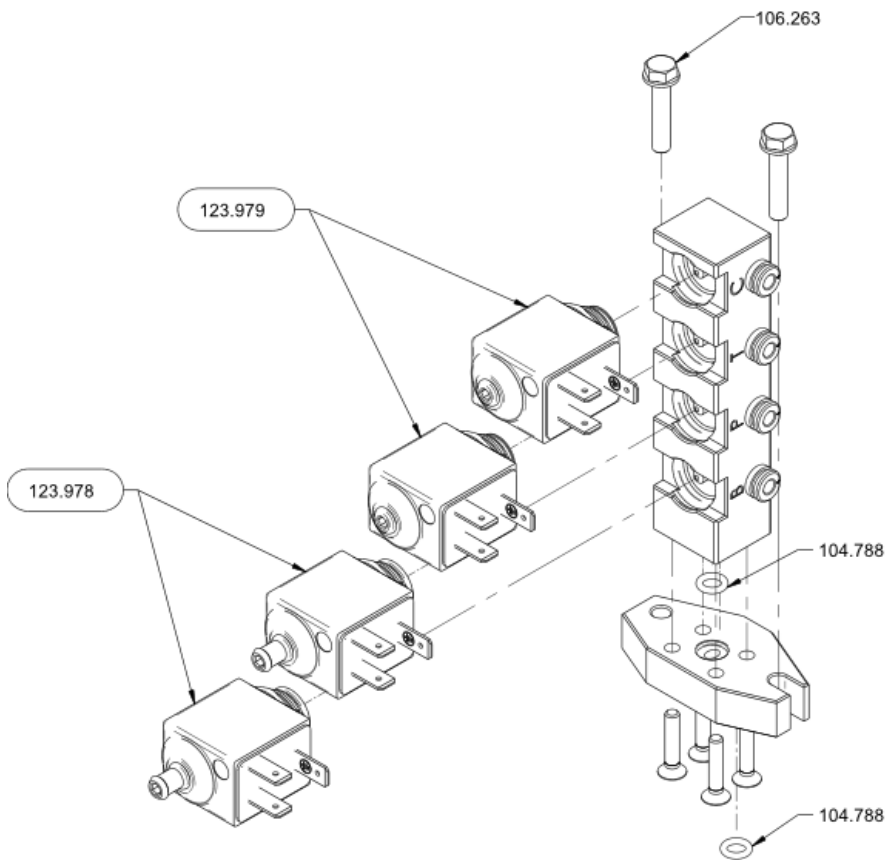
1.23.1 Coffee boiler CTM BWone assy.



1.23.2 Valve block BWone set

Article no.	Description	Quantity
104.788	O-Ring 5.28x1.78 EPDM	1
104.788	O-Ring 5.28x1.78 EPDM	1
106.263	Hexagon head cap screw M5x25	2
120.555	Plunger kit 3/2	1
123.560	Supporting ring	1
123.560	Supporting ring	1
123.561	Protection cap	1
123.561	Protection cap	1
123.562	Spring to magnet valve	1
123.562	Spring to magnet valve	1
123.978	Solenoid valve 3/2, \varnothing 1.4, 7.5W UL	2
123.979	Solenoid valve 2/2, \varnothing 1.4, 7.5W UL	2
126.922	Plunger kit 2/2 \varnothing 1.4	1

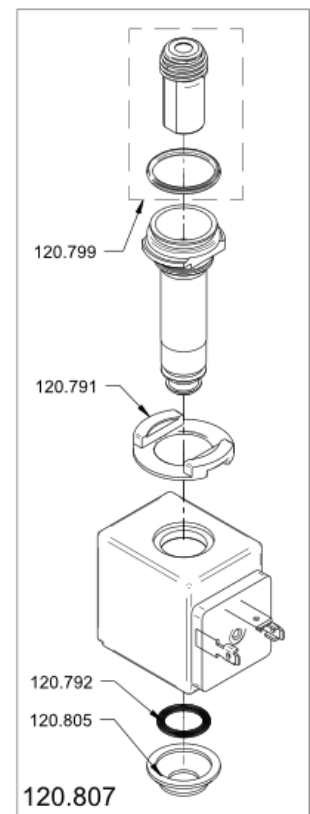
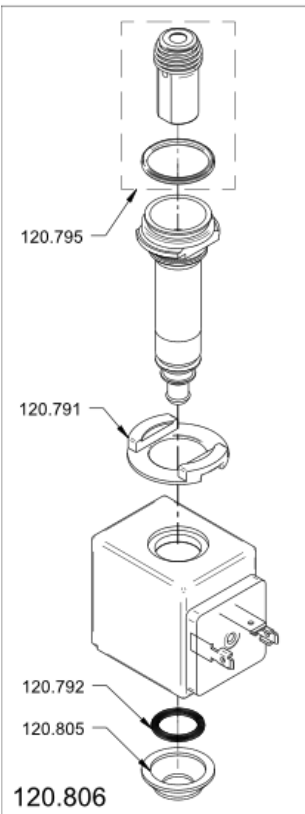
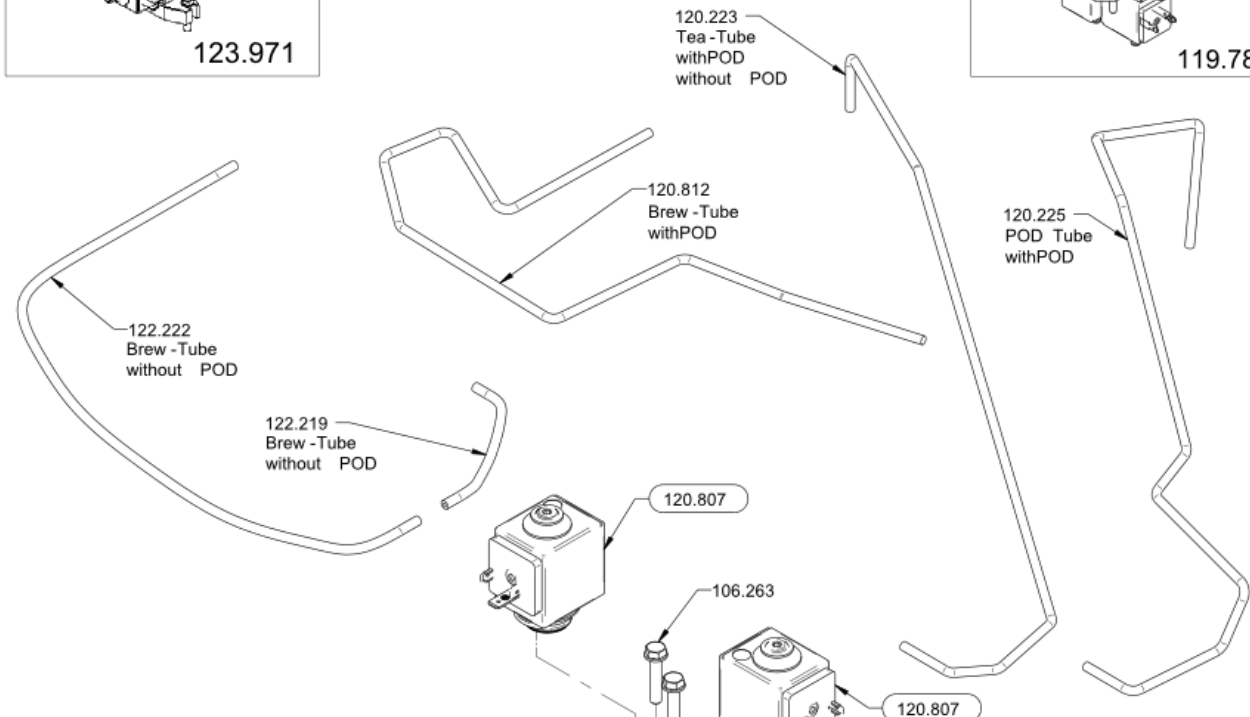
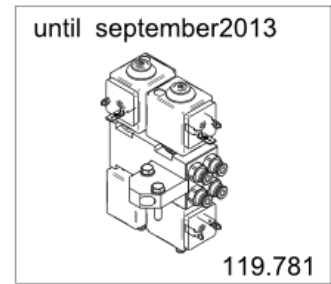
1.23.2 Valve block BWone set



1.24 Valveblock BWone set

Article no.	Description	Quantity
102.448	Straight connection 4-1/8"	4
104.788	O-Ring 5.28x1.78 EPDM	1
106.263	Hexagon head cap screw M5x25	2
120.223	FEP pipe \varnothing 4/2 x 610mm	1
120.225	FEP pipe \varnothing 4/2 x 500mm	1
120.791	Anti-twist plate Valve	1
120.791	Anti-twist plate Valve	1
120.792	Spring circlip	1
120.792	Spring circlip	1
120.795	Plunger kit valve 3/2	1
120.799	Plunger kit valve 2/2	1
120.805	Cap valve	1
120.805	Cap valve	1
120.806	Single solenoid valve 3/2 assy	1
120.807	Single solenoid valve 2/2 assy	1
120.812	FEP pipe \varnothing 4/2 x 630mm	1
120.814	FEP pipe \varnothing 4/2 x 450mm	1
122.219	FEP pipe \varnothing 4/2 x 120mm	1
122.222	FEP pipe \varnothing 4/2 x 520mm	1
122.225	FEP pipe \varnothing 4/2 x 270mm	1
123.971	Valve block BWone set	1

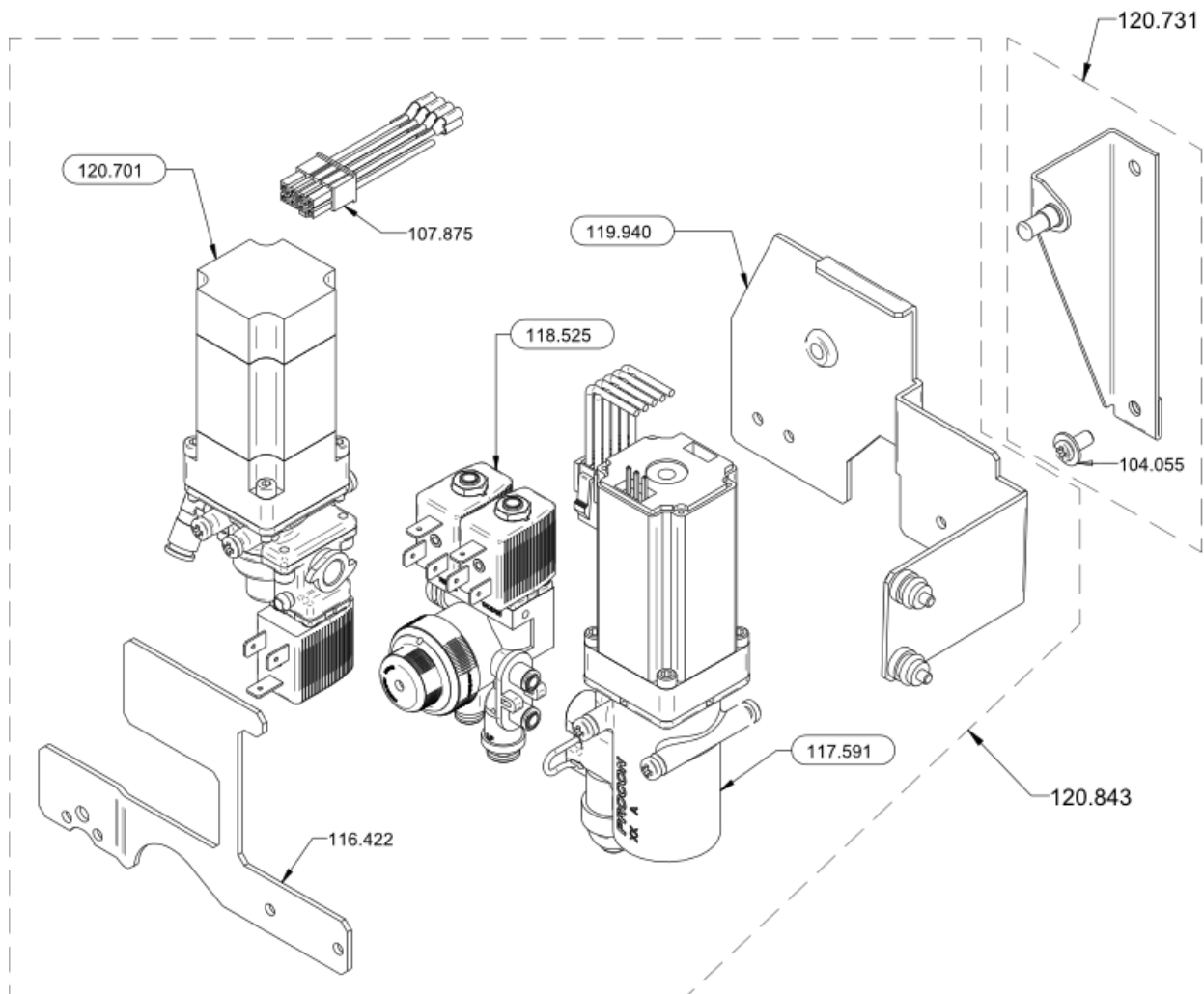
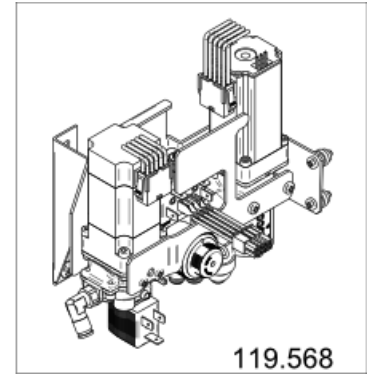
1.24 Valveblock BWone set



1.25 Pump unit BWone assy.

Article no.	Description	Quantity
104.055	Oval head screw M5x10 Phillips	1
107.875	Extension wiring harness milk	1
116.422	Sheet reinforcement pompe	1
117.591	Micropump set	1
118.525	Cleaning block without purge valve assy.	1
119.940	Pump support BWone (1x Procon) assy.	1
120.701	Milk pump Inox set	1
120.731	Sheet reinforcement pump unit set	1
120.843	Pump unit BWone assy.	1

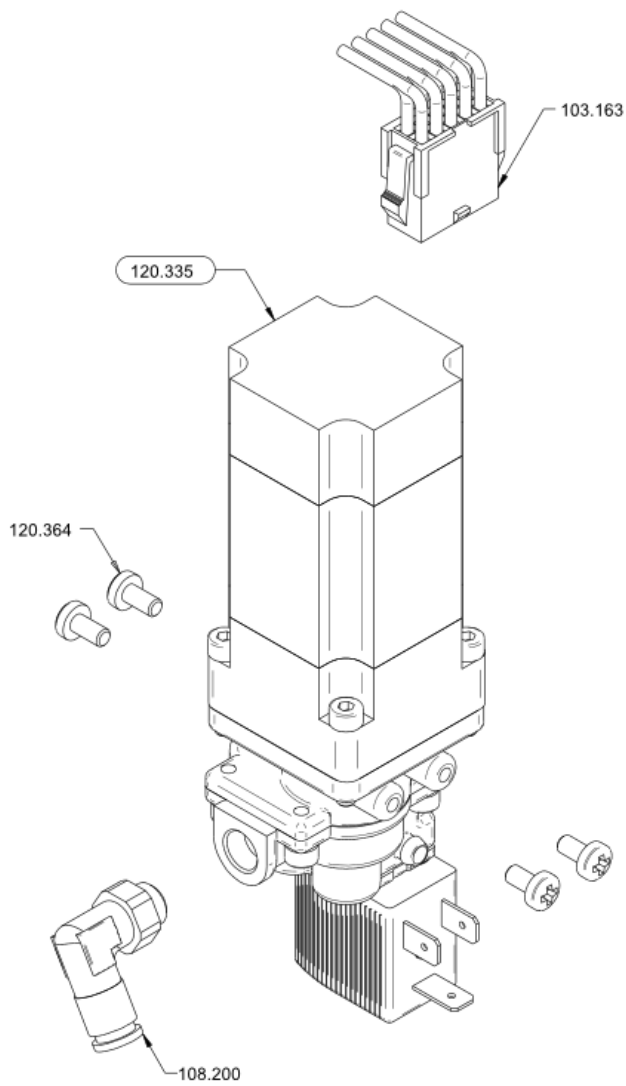
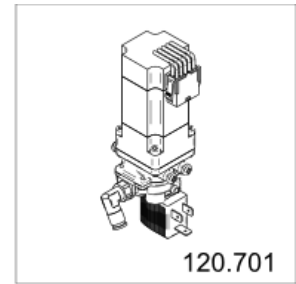
1.25 Pump unit BWone assy.



1.25.1 Milk pump Inox set

Article no.	Description	Quantity
103.163	Wiring harness DC-motor	1
108.200	Elbow connector 930QF-4FF-1/8-S9	1
120.335	Milk Pump inox with motor assy.	1
120.364	Screw Phillips M4x8 Tuflok	4

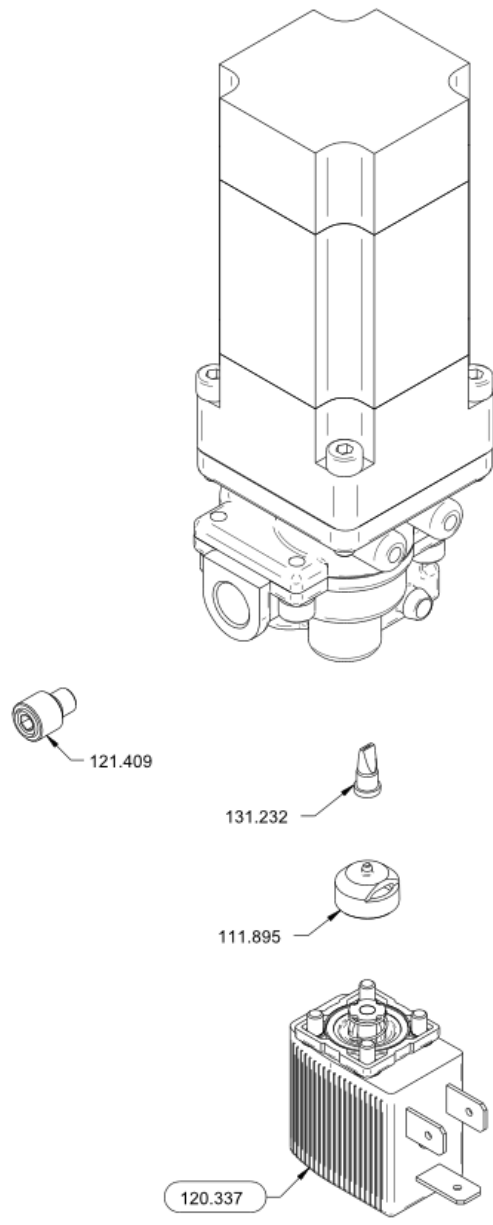
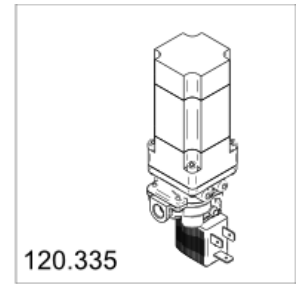
1.25.1 Milk pump Inox set



1.25.1.1 Milk Pump inox with motor assy.

Article no.	Description	Quantity
111.895	Support duckbill	1
120.337	3/2 mini solenoid valve, assy.	1
121.409	Nozzle to milk pump PEEK	1
131.232	Check valve duckbill light blue	1

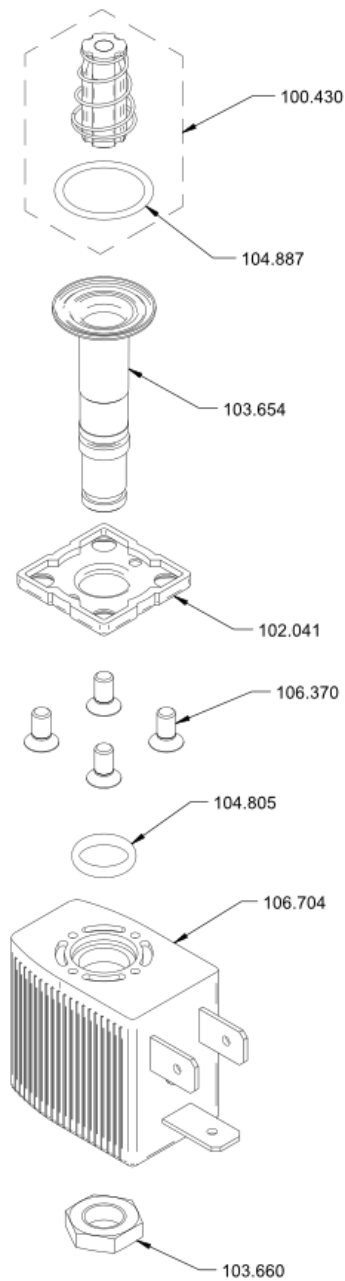
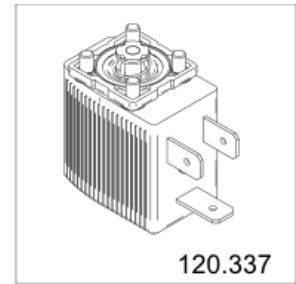
1.25.1.1 Milk Pump inox with motor assy.



1.25.1.1.1 3/2 mini solenoid valve, assy.

Article no.	Description	Quantity
100.430	Set 3/2 valve plunger with gasket	1
102.041	Flange for mini-valve	1
103.654	Plunger guide 3/2 ways mini-valve	1
103.660	Nut for mini-valve	1
104.805	O-Ring 7.50x1.50 EPDM	1
104.887	O-Ring 13.00x1.30 EPDM	1
106.370	Countersunk screw M3x6 Torx	4
106.704	Coil for mini-valve	1

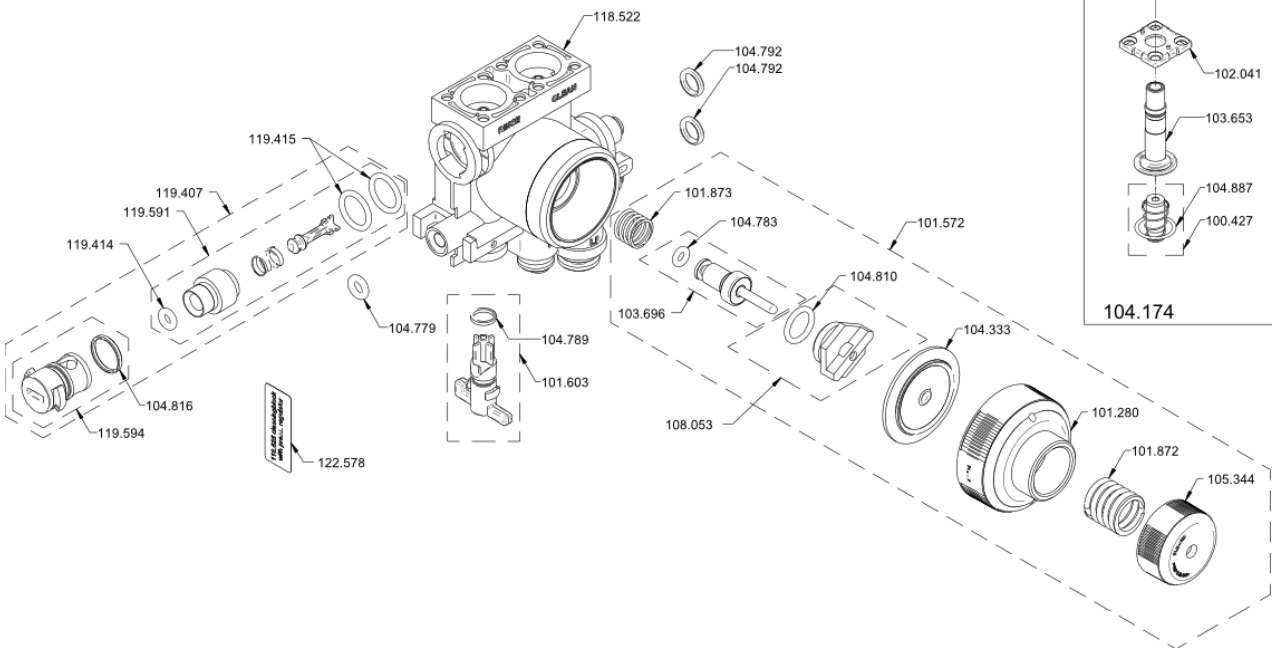
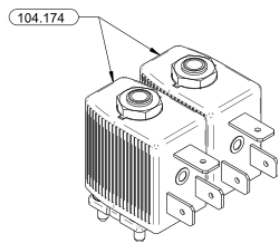
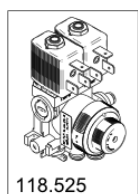
1.25.1.1.1 3/2 mini solenoid valve, assy.



1.25.2 Cleaning block without purge valve assy.

Article no.	Description	Quantity
100.427	Set 2/2 valve plunger with gasket	1
101.280	Cover pressure regulator	1
101.572	Pressure regulator, assy.	1
101.603	Milk bloc flowmeter assy.	1
101.872	Upper spring pressure regulator	1
101.873	Lower spring pressure regulator	1
102.041	Flange for mini-valve	1
103.653	Plunger guide 2/2 ways mini-valve	1
103.660	Nut for mini-valve	1
103.696	Valve pressure regulator, assy.	1
104.174	2/2 solenoid valve, assy.	2
104.333	Membrane ø28 pressure regulator	1
104.779	O-Ring 3.69x1.78 EPDM	1
104.783	O-Ring 3.00x1.50 FKM	1
104.789	O-Ring 5.00x1.00 EPDM	1
104.792	O-Ring 5.00x1.50 FKM	2
104.805	O-Ring 7.50x1.50 EPDM	1
104.810	O-Ring 8.00x1.50 VMQ	1
104.816	O-Ring 9.00x1.00 EPDM	1
104.887	O-Ring 13.00x1.30 EPDM	1
105.344	Screw plug M18x1.5	1
106.704	Coil for mini-valve	1
108.053	Water nozzle	1
115.934	PT flat head screws Torx K30x08	4
118.522	Basis block milk module assy.	1
119.407	Milk check valve assy.	1
119.414	O-Ring 2.90x1.78 EPDM	1
119.415	O-Ring 8.00x1.50 EPDM	2
119.591	Milk check valve	1
119.594	Cover check valve milk, assy.	1
122.578	Sticker c-block with pressregulator	1

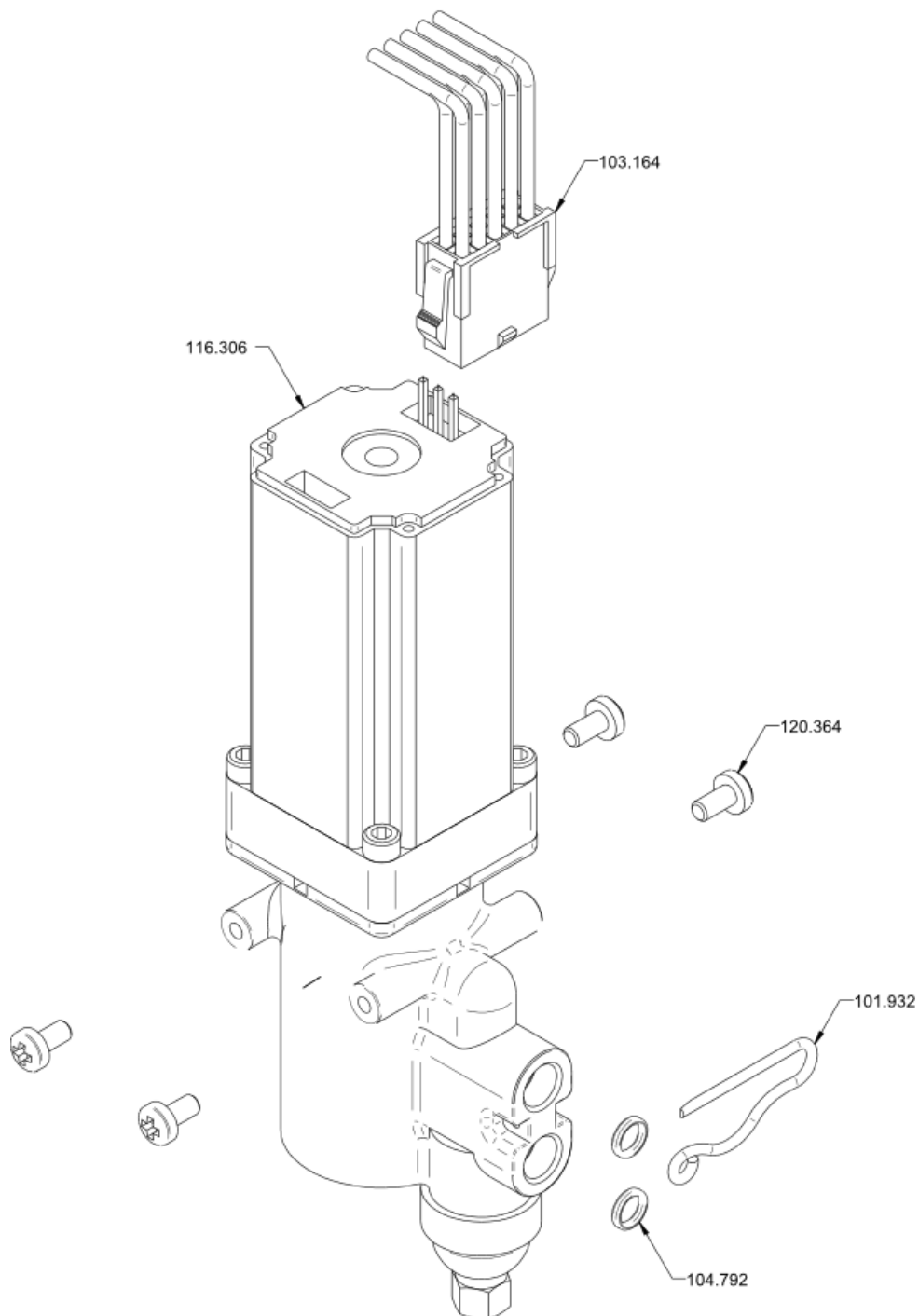
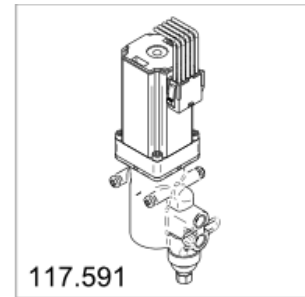
1.25.2 Cleaning block without purge valve assy.



1.25.3 Micropump set

Article no.	Description	Quantity
101.932	Spring clip pump	1
103.164	Wiring harness motor with filter	1
104.792	O-Ring 5.00x1.50 FKM	2
116.306	Micropump assy.	1
120.364	Screw Phillips M4x8 Tuflok	4

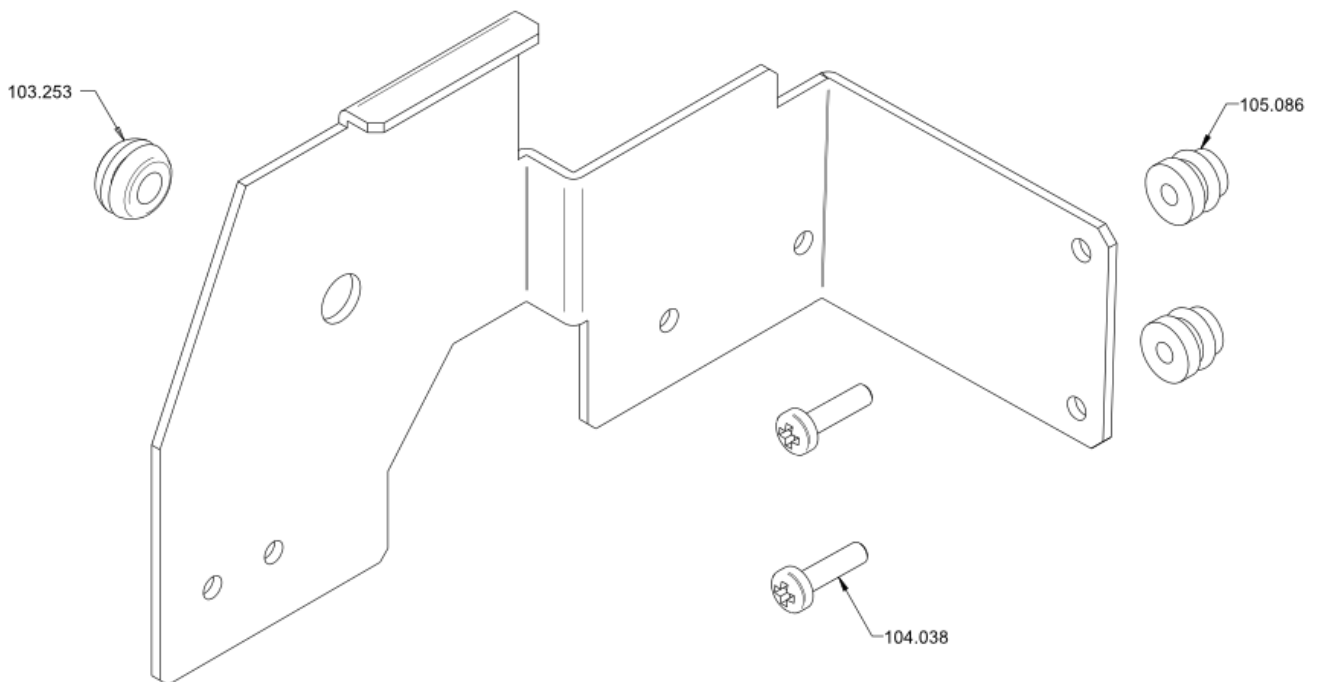
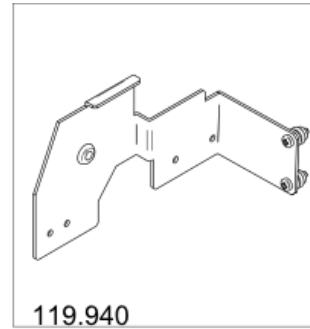
1.25.3 Micropump set



1.25.4 Pump support BWone (1x Procon) assy.

Article no.	Description	Quantity
103.253	Rubber bushing $\varnothing 6/9/14$	1
104.038	Oval head screw Phillips M4x16	2
105.086	Rubber mounting bush M4	2

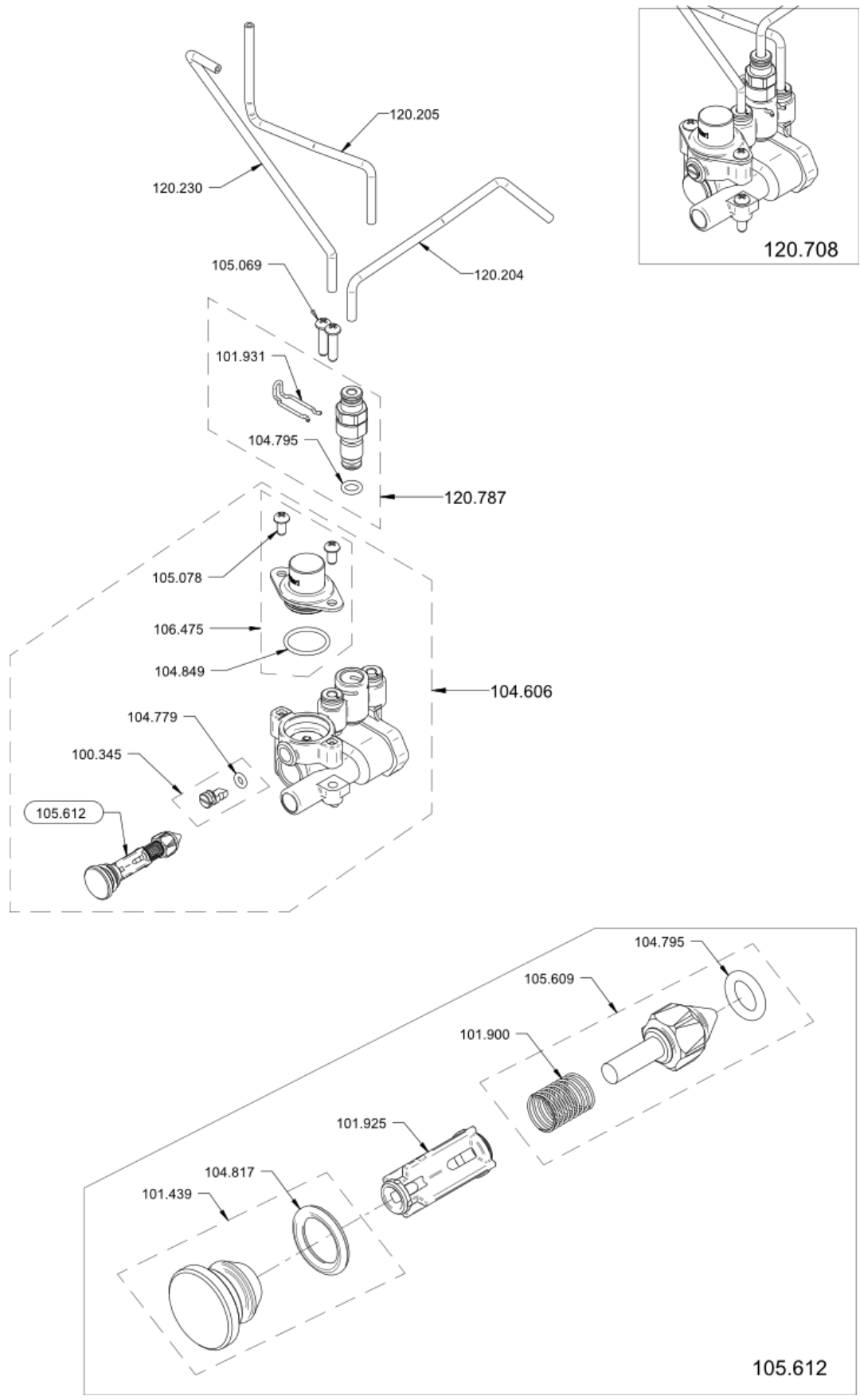
1.25.4 Pump support BWone (1x Procon) assy.



1.26 Multi-functional block set

Article no.	Description	Quantity
100.345	Purge axle, assy	1
101.439	Sealing plug, assy.	1
101.900	Spring check valve hexagonal	1
101.925	Support spring multifunction block	1
101.931	Clip with 90° bending	1
104.606	Multi functional block, assembly	1
104.779	O-Ring 3.69x1.78 EPDM	1
104.795	O-Ring 6.07x1.78 FKM	1
104.795	O-Ring 6.07x1.78 FKM	1
104.817	O-Ring 9.00x2.00 EPDM	1
104.849	O-Ring 17.17x1.78 FKM	1
105.069	Oval head PT screw Phillips KA40x16	2
105.078	Oval head PT screw Phillips KA40x8	2
105.609	Check valve hexagonal, assy.	1
105.612	Check valve hydr. Block, assy.	1
106.475	Expansion valve fix	1
120.204	FEP pipe ø4/2 x 160mm	1
120.205	FEP pipe ø4/2 x 245mm	1
120.230	FEP pipe ø4/2 x 145mm	1
120.787	Water pipe bushing set	1

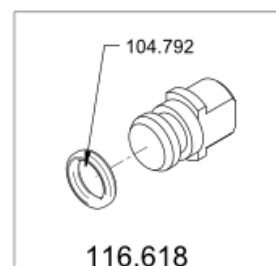
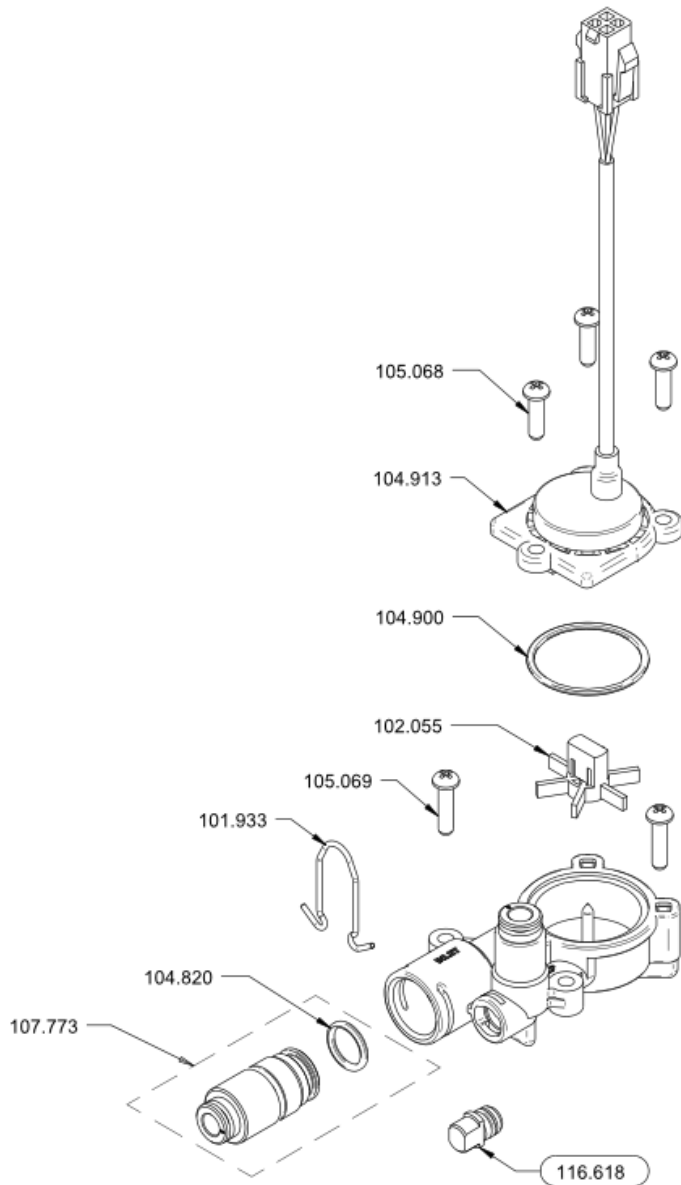
1.26 Multi-functional block set



1.27 Flow meter block set

Article no.	Description	Quantity
101.933	Clip spring water inlet	1
102.055	Wheel flowmeter	1
104.792	O-Ring 5.00x1.50 FKM	1
104.820	O-Ring 10.82x1.78 FKM	1
104.900	O-Ring 28.3x1.78 MVQ	1
104.913	Flow meter head FHK Molex	1
105.068	PT Phillips screw KA40x14	3
105.069	Oval head PT screw Phillips KA40x16	2
107.773	Water connection flowmeter, assy.	1
116.618	Plug water inlet Tiger + O-Ring	1

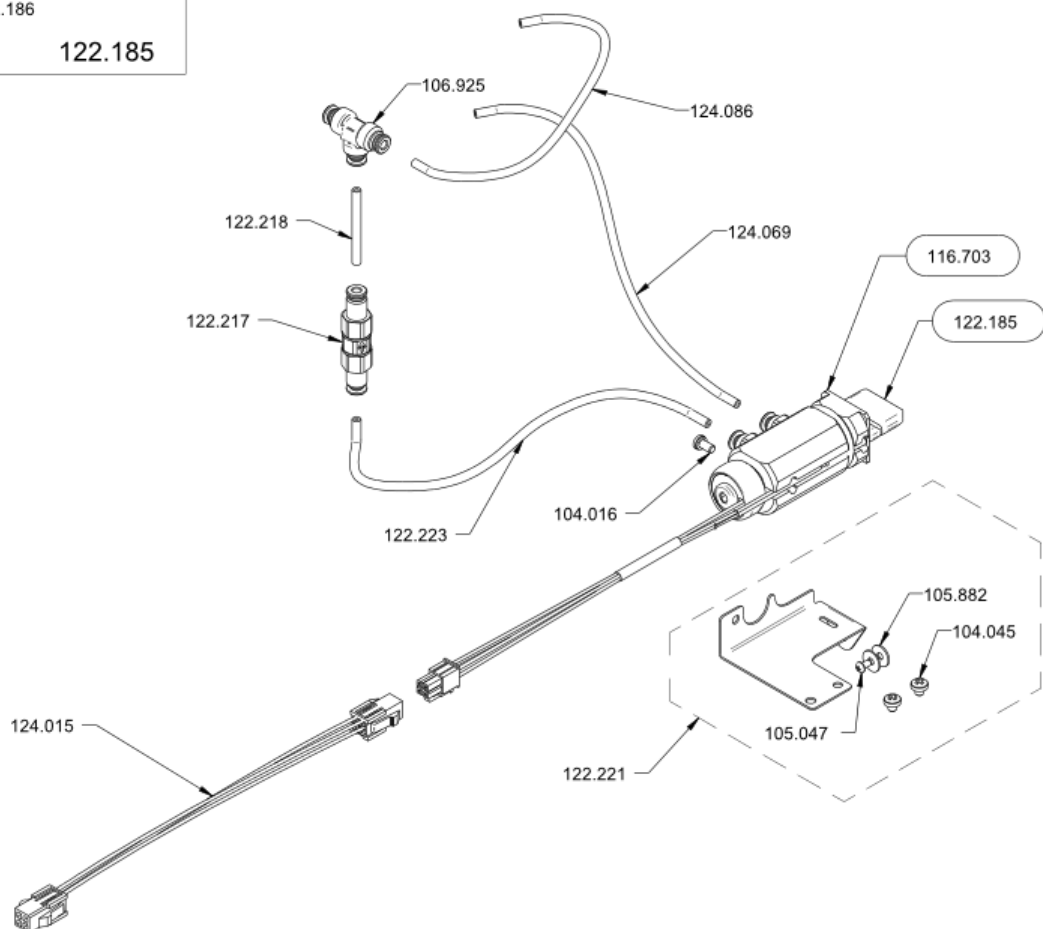
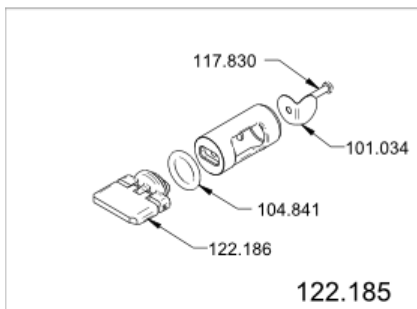
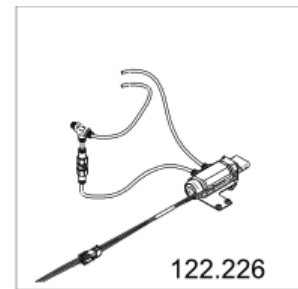
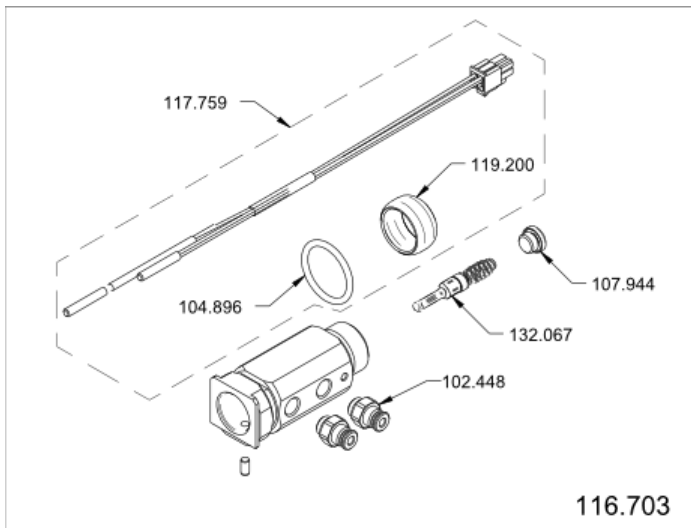
1.27 Flow meter block set



1.28 Cleaning system set BWone

Article no.	Description	Quantity
101.034	Spring sheet cleaning key	1
102.448	Straight connection 4-1/8"	2
104.016	Oval head Phillips combi screw M4x8	1
104.045	Oval head screw Phillips M4x4	2
104.841	O-Ring 14.00x3.00 FKM	1
104.896	O-Ring 27.00x3.00 FKM	1
105.047	Oval head PT screw Phillips KA30x6	1
105.882	Flat washer ø 3,5	2
106.925	T-connector 4-4	1
107.944	Hexagon socket screw plug G1/8	1
116.703	Base cleaning system BW3, assy.	1
117.759	Reed set cleaning key	1
117.830	Delta PT-screw Torx 30x14	1
119.200	Sheath thermoretract. 22mm	1
122.185	Cleaning key assy.	1
122.186	Knob cleaning key	1
122.217	Check valve clean coffee	1
122.218	FEP pipe ø4/2 x 42mm	1
122.221	Attchment cleaning key assy.	1
122.223	FEP pipe ø4/2 x 240mm	1
124.015	Wiring harness POD BWone	1
124.069	FEP pipe ø4/2 x 250mm	1
124.086	FEP pipe ø4/2 x 140mm	1
132.067	Piston cleaning tab detection blue assy.	1

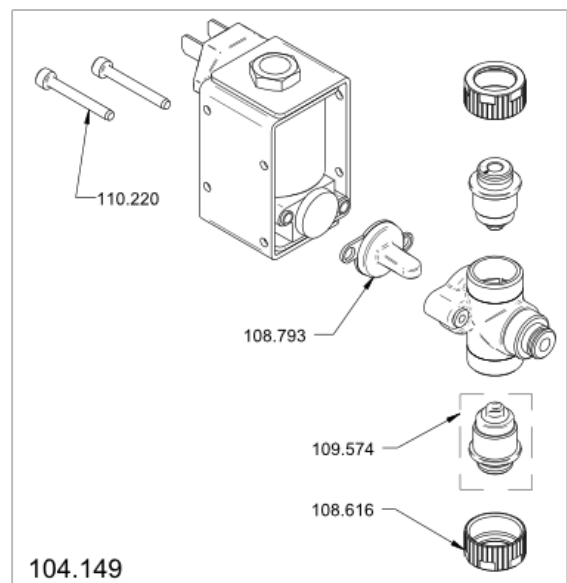
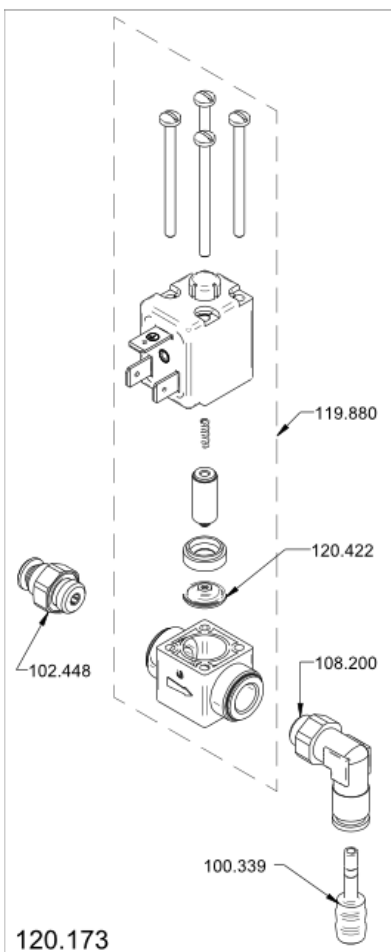
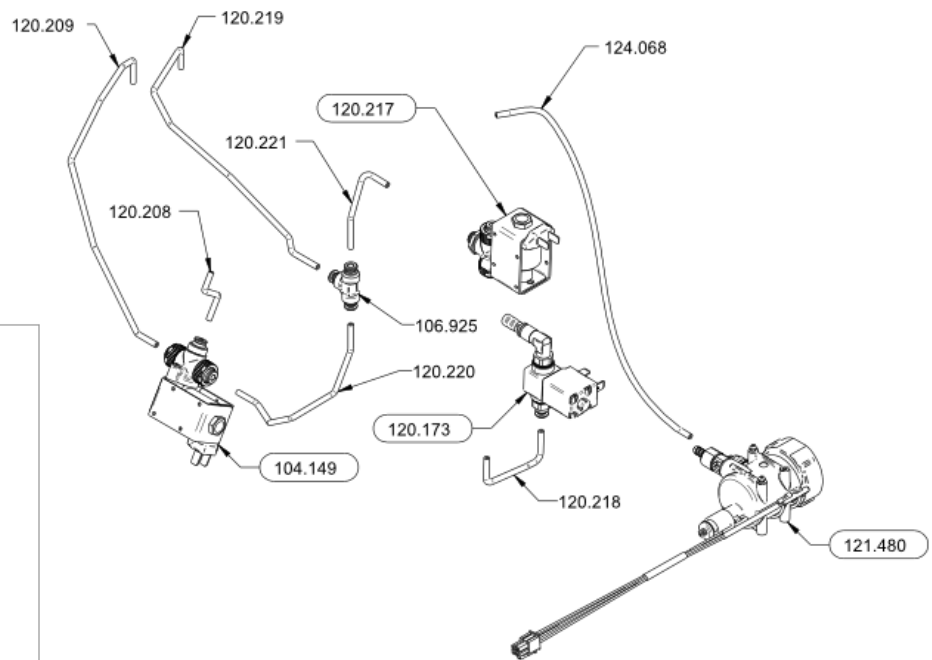
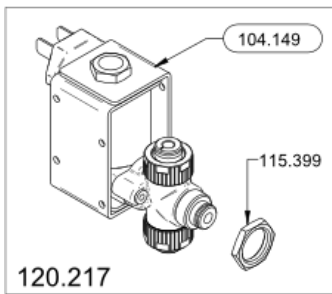
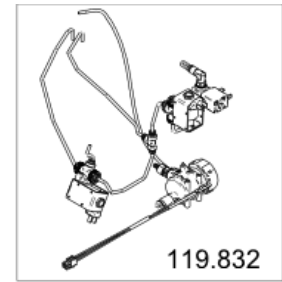
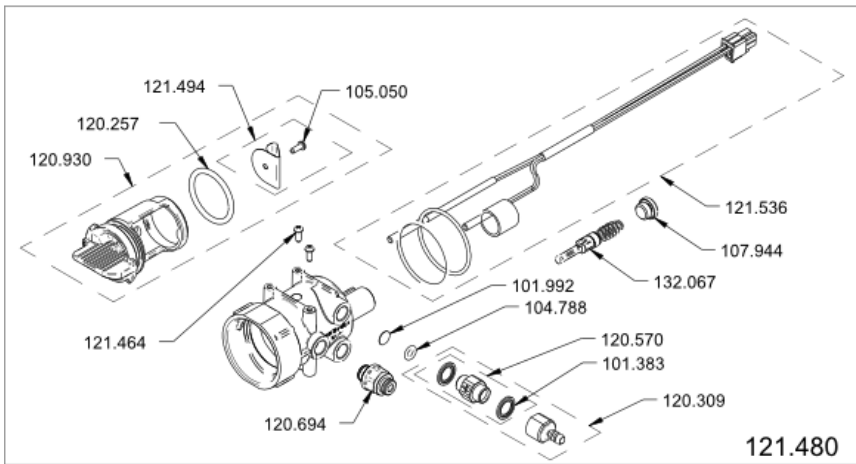
1.28 Cleaning system set BWone



1.29 Milk set BWone

Article no.	Description	Quantity
100.339	Drain tube connector for silicone hose	1
101.383	Seal 1/8"	2
101.992	Mesh for Water ø8.5mm	1
102.448	Straight connection 4-1/8"	1
104.149	3/2 way diaphragm valve (ø4) assy.	1
104.788	O-Ring 5.28x1.78 EPDM	1
105.050	Oval head PT screw Phi. KA30x8	1
106.925	T-connector 4-4	1
107.944	Hexagon socket screw plug G1/8	1
108.200	Elbow connector 930QF-4FF-1/8-S9	1
108.616	Grooved nut diaphragm valve	2
108.793	Diaphragm	1
109.574	Insert Valve Magma ø4 with O-ring	2
110.220	Socket head screw Phillips M5x10	2
115.399	Lock nut M14x1	1
119.880	Diaphragm valve 2/2, ø2.0, small	1
120.173	Diaphragm valve 2/2 ø2.0, small, assy.	1
120.208	FEP pipe ø4/2 x 40mm	1
120.209	FEP pipe ø4/2 x 360mm	1
120.217	Diaphragm valve (ø4) with nut	1
120.218	FEP pipe ø4/2 x 120mm	1
120.219	FEP pipe ø4/2 x 260mm	1
120.220	FEP pipe ø4/2 x 310mm	1
120.221	FEP pipe ø4/2 x 60mm	1
120.257	O-Ring ø29.00x3.00 EPDM	1
120.309	Connector milk cleaning assy.	1
120.422	Diaphragm	1
120.570	Pressure control valve 0.2bar assy.	1
120.694	Straight connector 4-1/8"	1
120.930	Cleaning Key milkway assy.	1
121.464	PT screw KA30x10 philips	2
121.480	Cleaning System Milkway assy. BWone	1
121.494	Diaphragm valve 2/2, ø2.0, small, assy.	1
121.536	Reed switch for cleaning lock milkway	1
124.068	FEP pipe ø4/2 x 340mm	1
132.067	Piston cleaning tab detection blue assy.	1

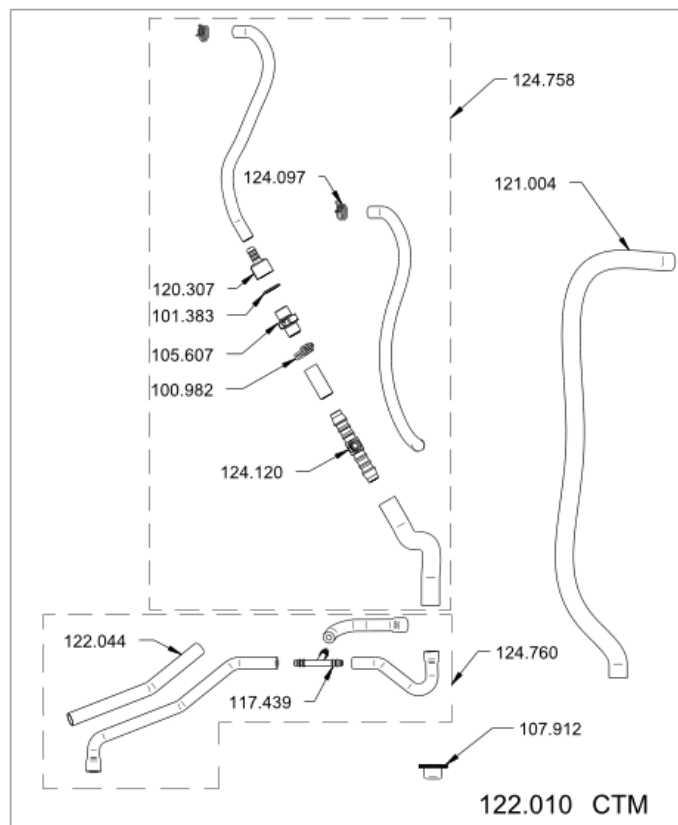
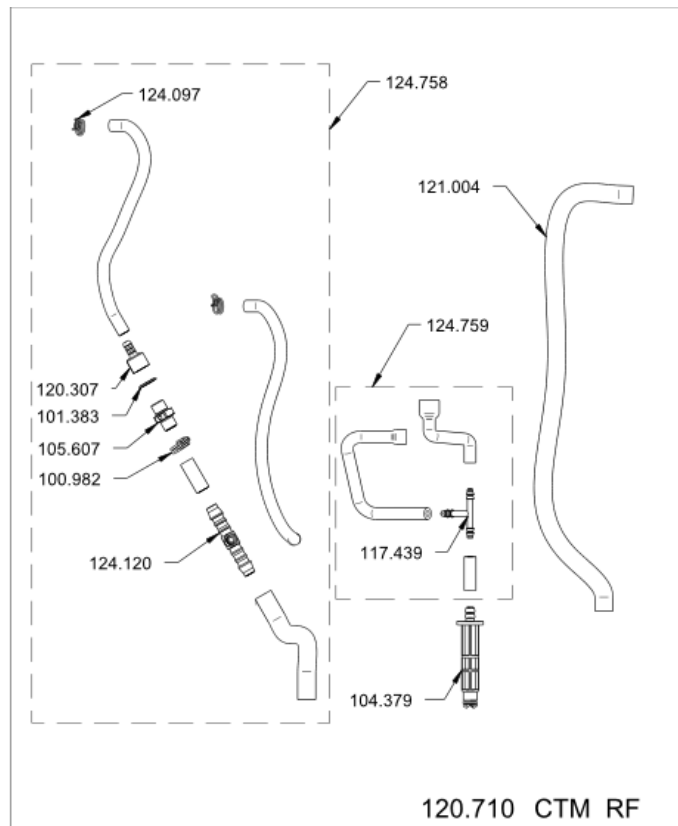
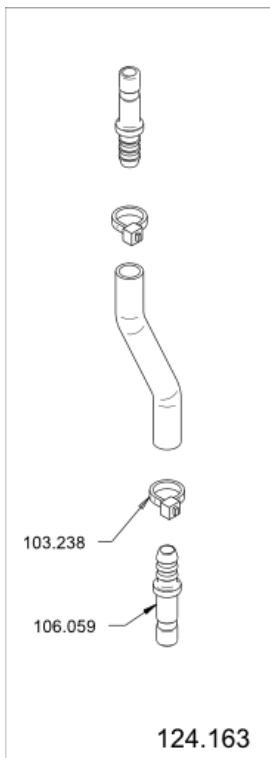
1.29 Milk set BWone



1.30 Pipe set drain CTM-RF

Article no.	Description	Quantity
100.982	Clip for silicone hose 11.9mm	1
100.982	Clip for silicone hose 11.9mm	1
101.383	Seal 1/8"	1
101.383	Seal 1/8"	1
103.238	Cable tie	2
104.379	Deconnection milk assy.	1
105.607	Valve check air valve block	1
105.607	Valve check air valve block	1
106.059	Coupling ø6	2
107.912	Plug Kapsto GPN 900 A12	1
117.439	T-Connector (POM) for tube ø4mm	1
120.307	Coupling ø6xG1/8"	1
120.307	Coupling ø6xG1/8"	1
121.004	Silicone hose ø13/7 x 450mm	1
121.004	Silicone hose ø13/7 x 450mm	1
122.010	Pipe set drain CTM	1
122.044	Protection tube Isotex ø12/10 x 160mm	1
124.097	Clip for silicone hose ø9.6mm	2
124.097	Clip for silicone hose ø9.6mm	2
124.120	T-connector (POM) for tube ø8-6-8	1
124.120	T-connector (POM) for tube ø8-6-8	1
124.163	Pressure tube BWone L=83mm	1
124.758	Drain pipe coffee set	1
124.758	Drain pipe coffee set	1
124.759	Pipe set milk CTM-RF	1
124.760	Pipe set milk CTM	1

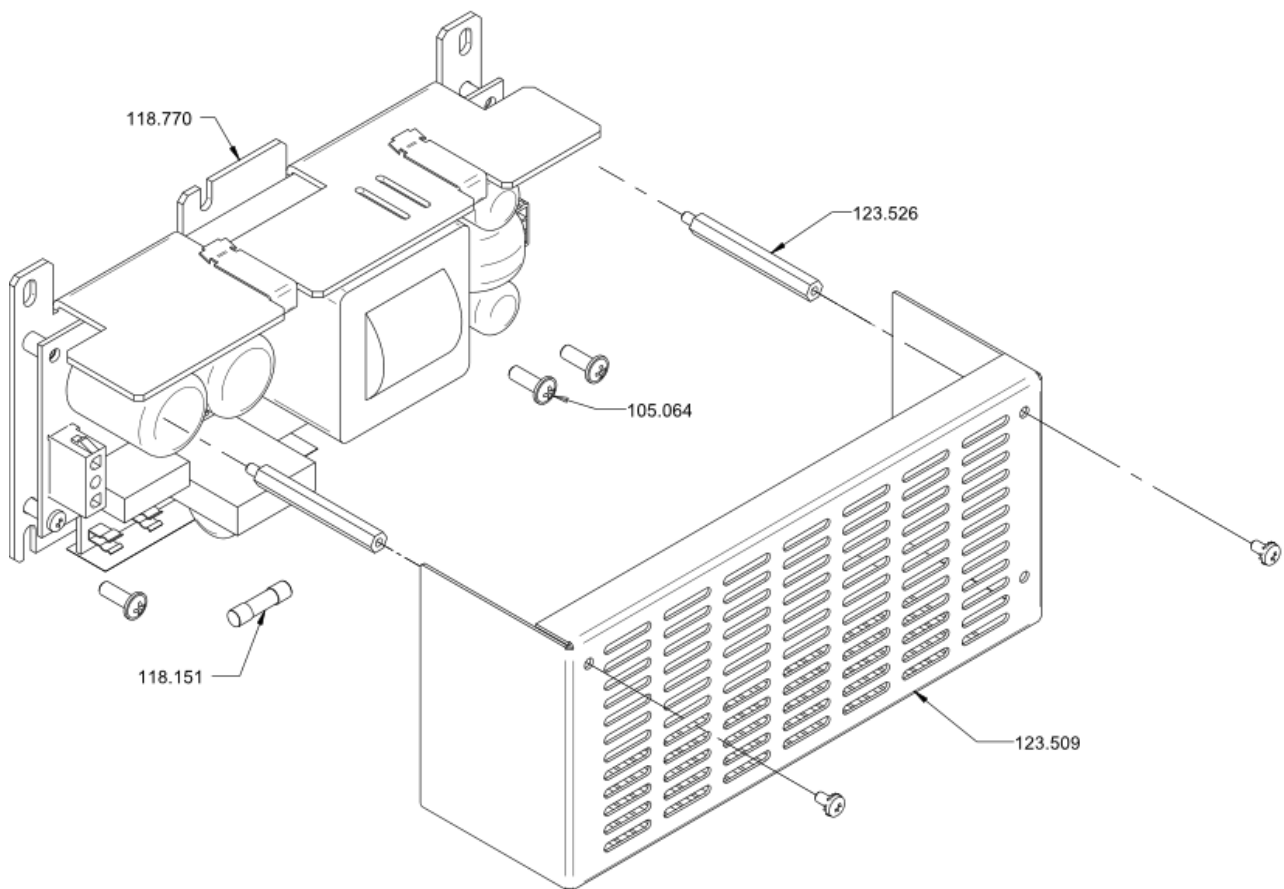
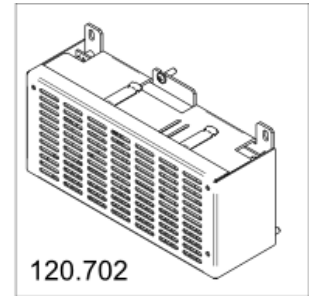
1.30 Pipe set drain CTM-RF



1.31 Switching power sup. 230V/24V 250W set

Article no.	Description	Quantity
105.064	Oval head PT screw w. washer Phi KA40x12	3
118.151	Fuse T4A H250V 5x20mm	1
118.770	Switching power supply Intronic	1
123.509	Cover Power Supply assy.	1
123.526	Hexagonal spacer M3x45	2

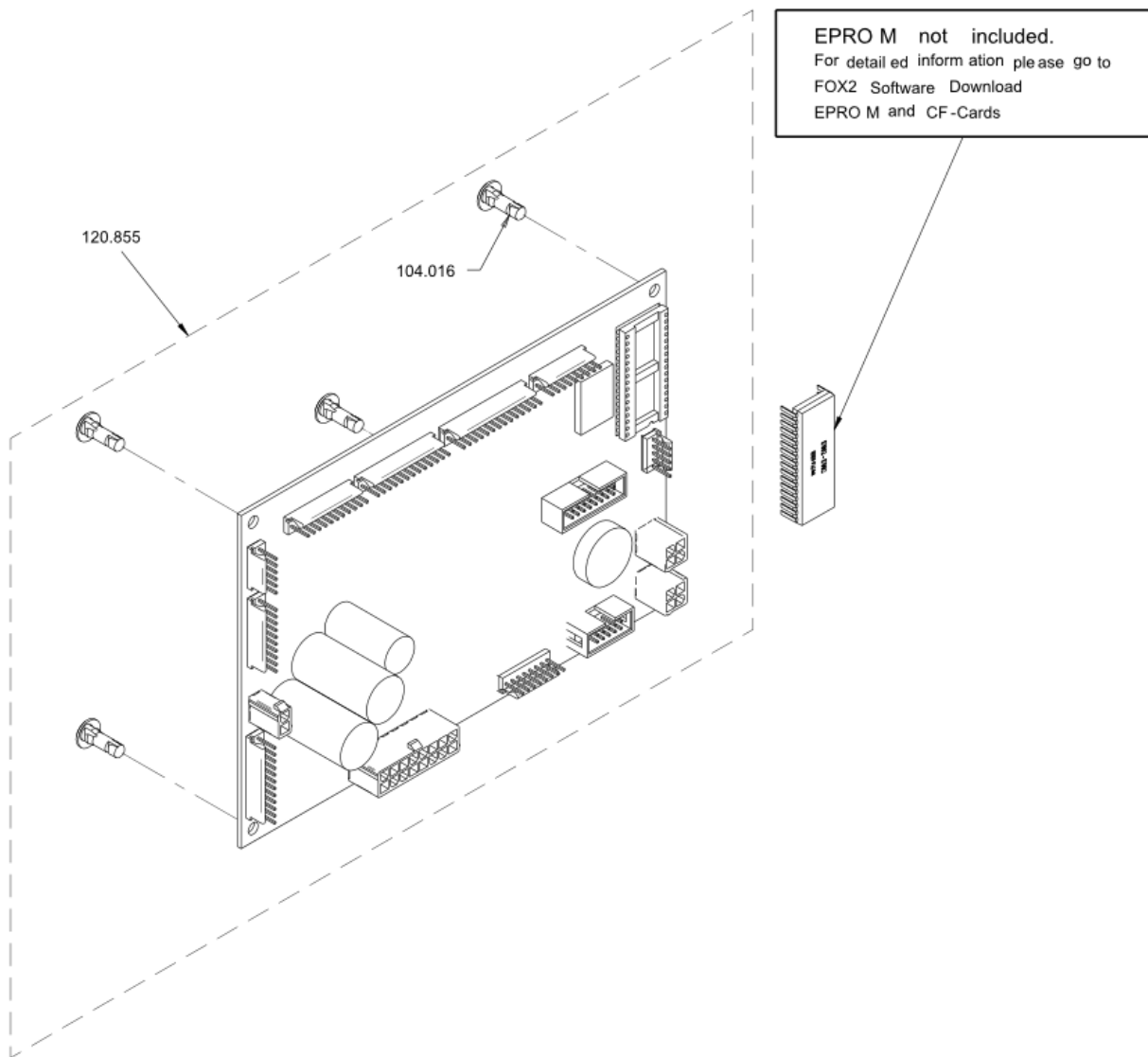
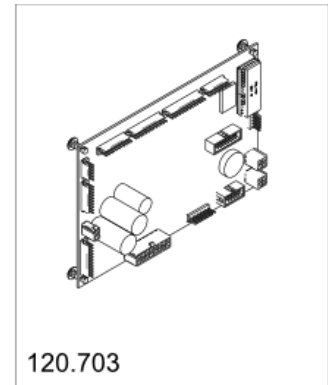
1.31 Switching power sup. 230V/24V 250W set



1.32 CPU-Print set BWone

Article no.	Description	Quantity
104.016	Oval head Phillips combi screw M4x8	4
120.855	CPU-Print set whitout EEPROM	1

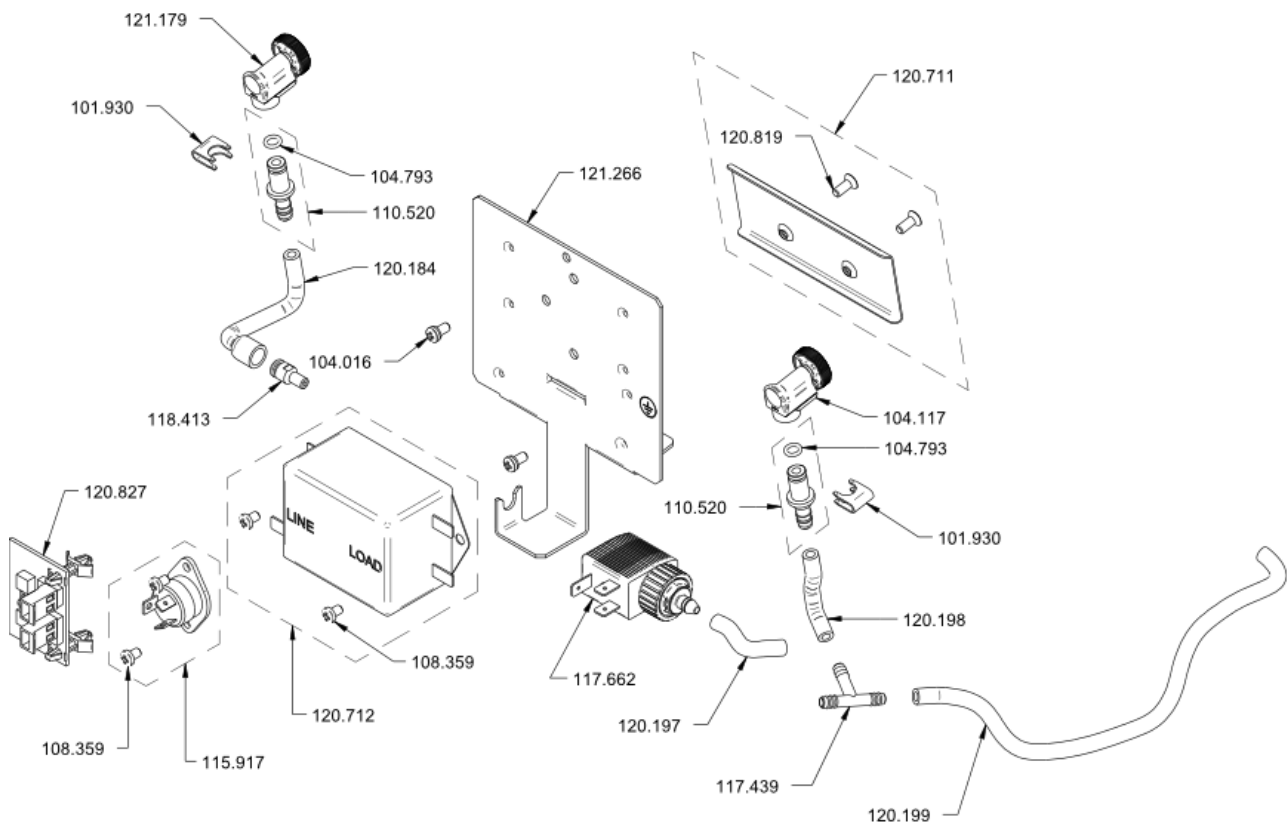
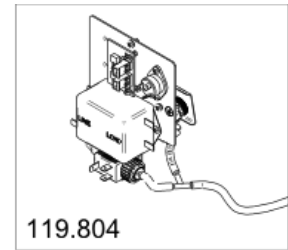
1.32 CPU-Print set BWone



1.33 Triac support assy. BWone

Article no.	Description	Quantity
101.930	Spring clip	2
104.016	Oval head Phillips combi screw M4x8	2
104.016	Oval head Phillips combi screw M4x8	2
104.117	Air regulator red 0.0mm	1
104.793	O-Ring 5.00x1.50 MVQ	1
108.359	Socket flat head screw M4x6	2
108.359	Socket flat head screw M4x6	2
110.520	Connection Nipple straight + O-Ring	2
115.917	Set Triac	1
117.439	T-Connector (POM) for tube ø4mm	1
117.662	Air mini-valve	1
118.413	Aircontroler support	1
120.184	Silicone hose ø7/4 x 100mm	1
120.197	Silicone hose ø7/4 x 50mm	1
120.198	Silicone hose ø7/4 x 50mm	1
120.199	Silicone hose ø7/4 x 240mm	1
120.711	Cover aircontroler set	1
120.712	Mains filter 1Ph 16A 230V set	1
120.819	Countersunk screw M4x10 phillips	2
120.827	P.c. board triac set	1
121.179	Air regulator blue 0.0mm	1
121.266	Triac support	1

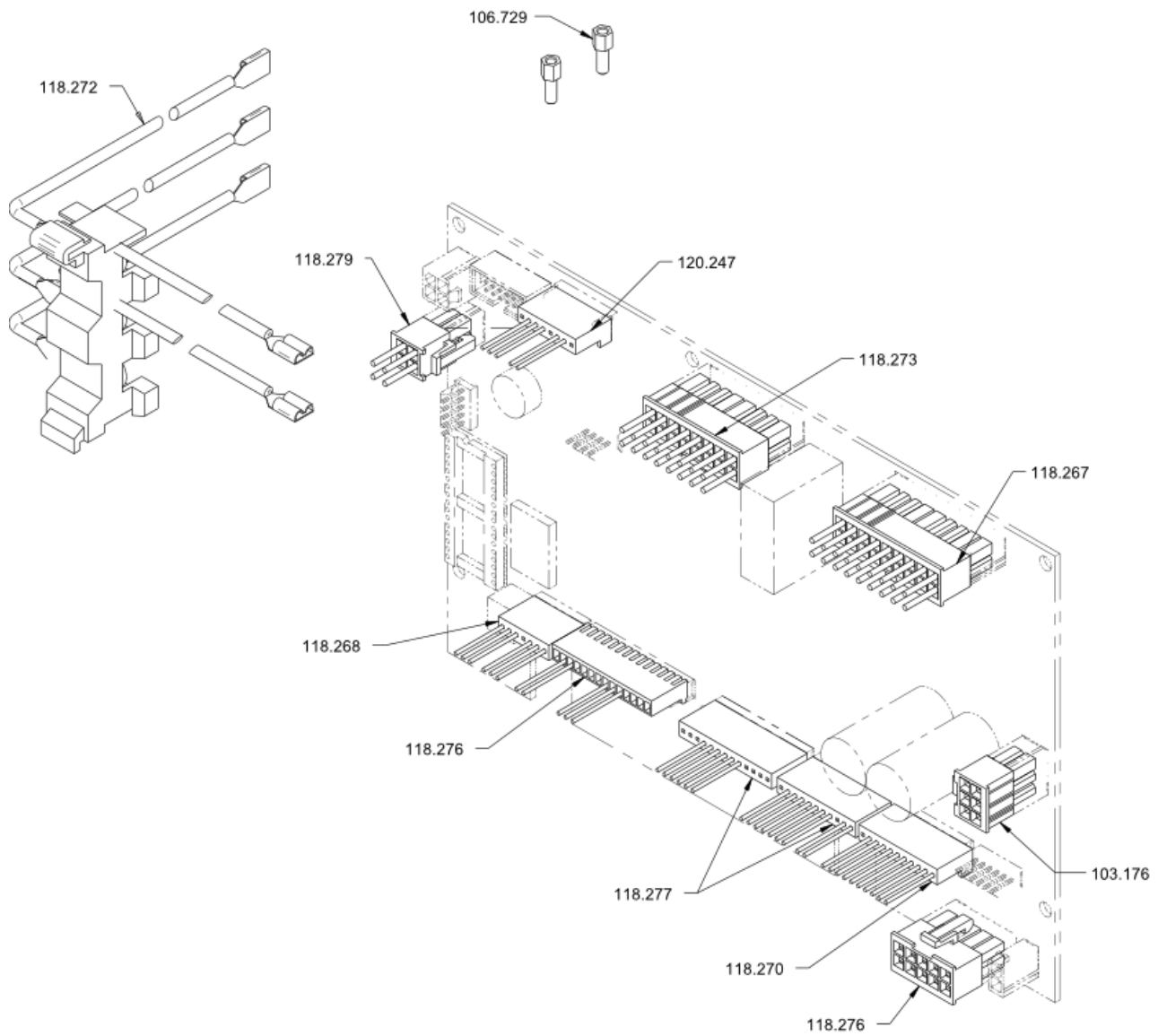
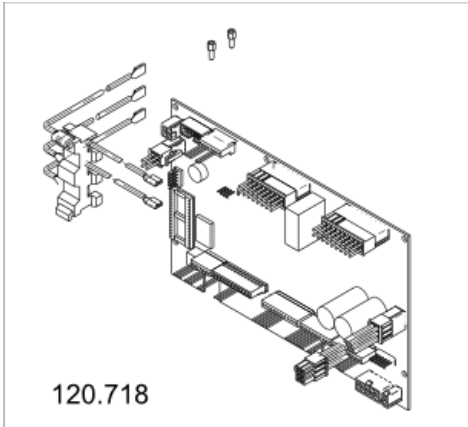
1.33 Triac support assy. BWone



1.34 Wiring harness BWone CTM-RF

Article no.	Description	Quantity
103.176	Wiring harness power supply - CPU	1
106.729	Fixation screw NC4-40 SUB-D	2
118.267	Wiring harness mechanic BWone	1
118.268	Wiring harness power board BWone	1
118.270	Wiring harness hydraulics BWone	1
118.272	Wiring harness supply 230V BWone	1
118.273	Wiring harness pumps CTM BWone	1
118.276	Wiring harness milk rack BWone	1
118.277	Wiring harness valves BWone	1
118.279	Bus cable PCB display BWone	1
120.247	Cable interface BWone	1

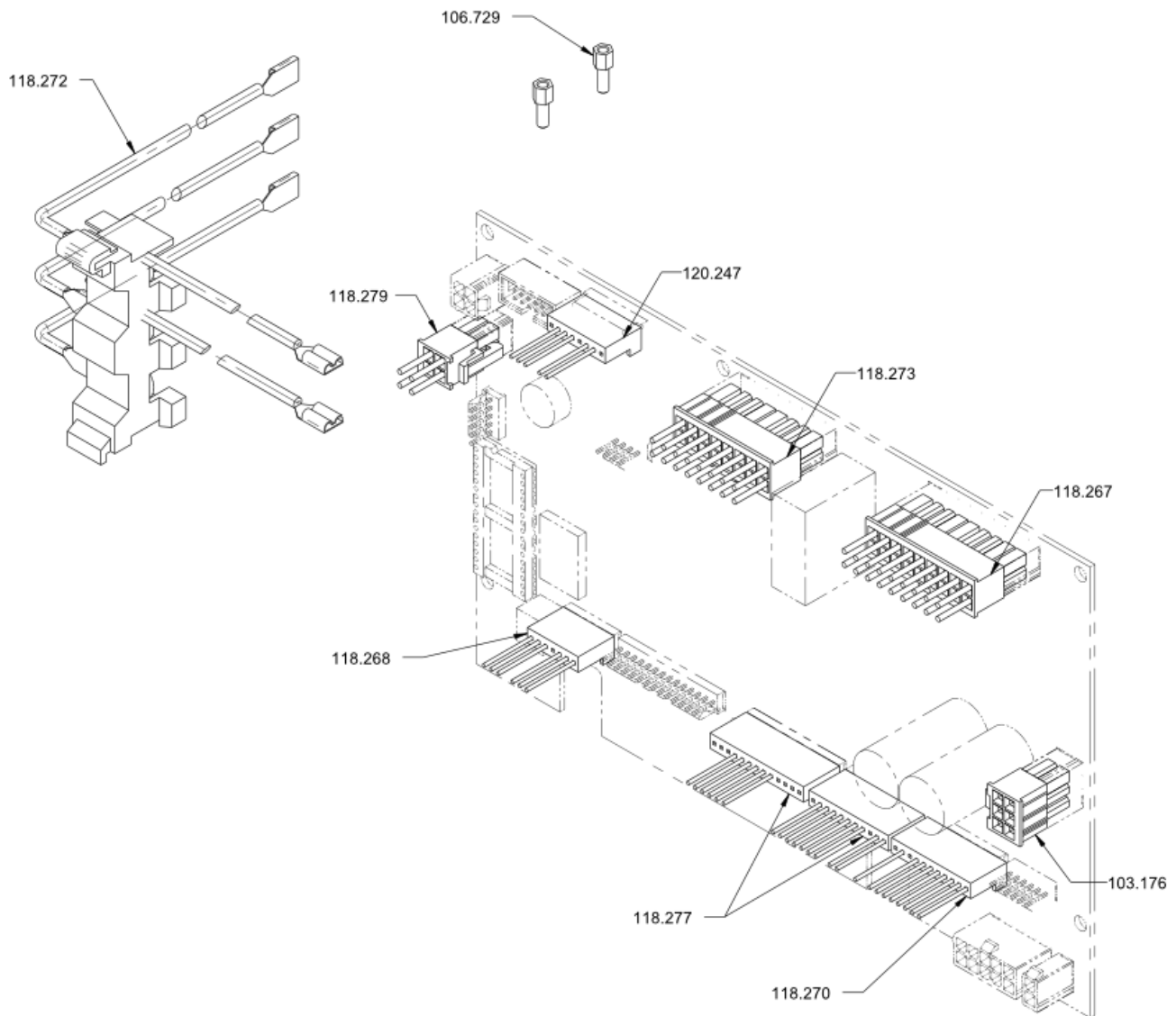
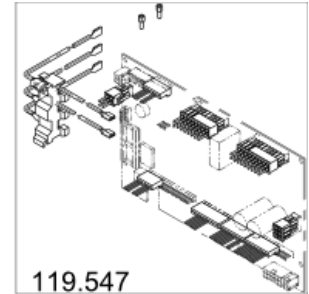
1.34 Wiring harness BWone CTM-RF



1.35 Wiring harness BWone CTM

Article no.	Description	Quantity
103.176	Wiring harness power supply - CPU	1
106.729	Fixation screw NC4-40 SUB-D	2
118.267	Wiring harness mechanic BWone	1
118.268	Wiring harness power board BWone	1
118.270	Wiring harness hydraulics BWone	1
118.272	Wiring harness supply 230V BWone	1
118.273	Wiring harness pumps CTM BWone	1
118.277	Wiring harness valves BWone	1
118.279	Bus cable PCB display BWone	1
120.247	Cable interface BWone	1

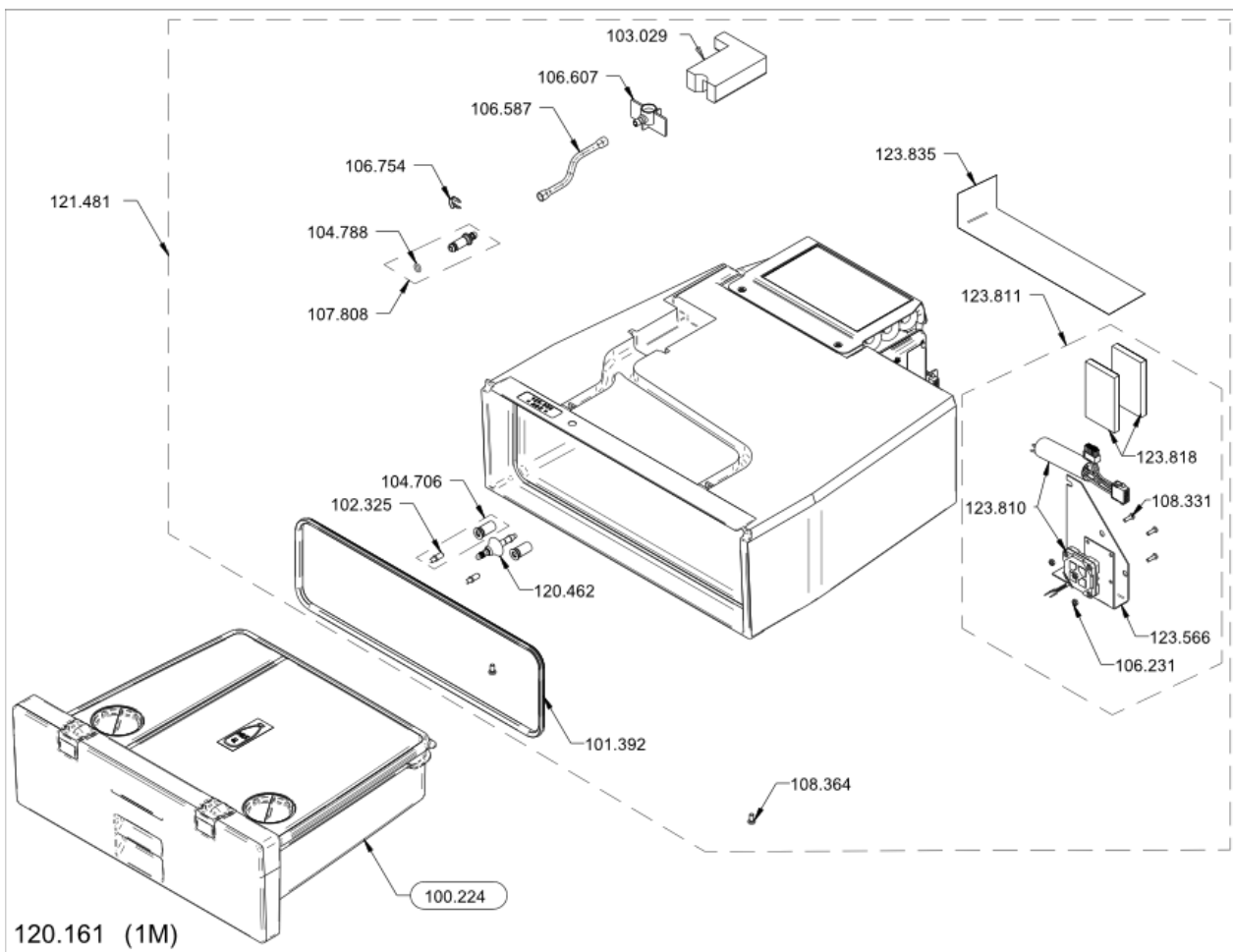
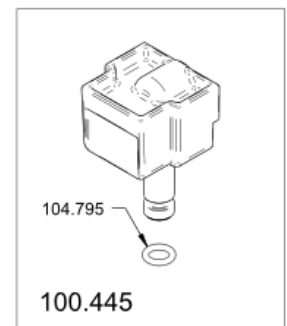
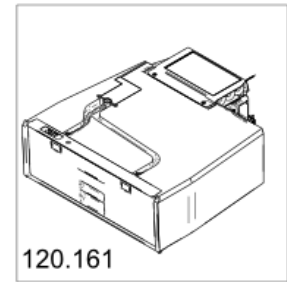
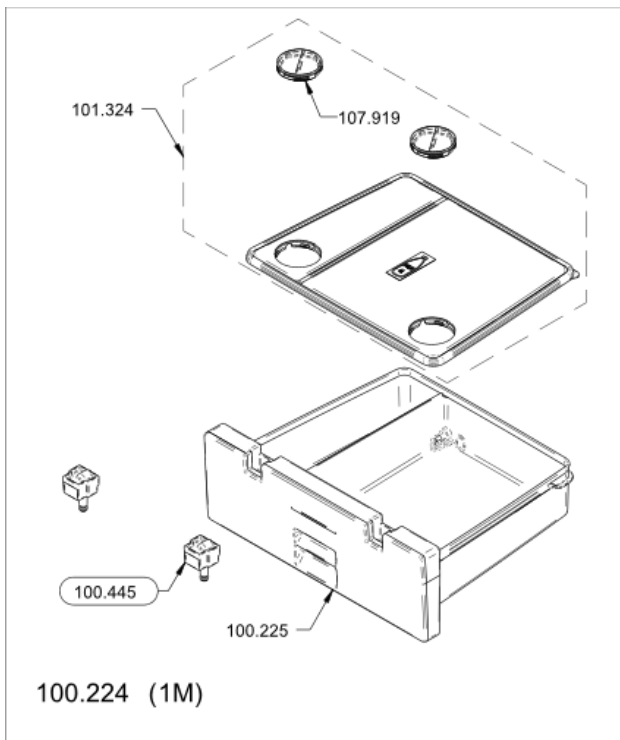
1.35 Wiring harness BWone CTM



1.36 Cooling unit 4L assy. BWone

Article no.	Description	Quantity
100.224	Milk tank 4 lt TT - 1 Milk complete	1
100.225	Milk tank 4 lt TT - 1 Milk welded	1
100.445	Insert suction milk tank Tiger base	2
101.324	Cover milktank (1type) 4.0L, assy.	1
101.392	Sealing milk module Tiger base 4L	1
102.325	Spring contact round head, CuBe	1
103.029	Insulation chassis 1-milk Tiger base	1
104.706	Spring level contact, assembly	1
104.788	O-Ring 5.28x1.78 EPDM	1
104.795	O-Ring 6.07x1.78 FKM	1
106.231	106.231	3
106.587	Silicone hose ø8.5/4 x 117mm	1
106.607	Base receptacle 1 milk Tiger base	1
106.754	Washer STS ø8	2
107.808	Nipple milk connection Tiger base cpt	2
107.919	Lid milk water tank Tiger base	2
108.331	Socket head screw M3x10 Phillips	3
108.364	Screw M04X08 form H	2
120.462	NTC Level probe milk moulded BWone	1
121.481	Cooling unit 1 milk BWone	1
123.566	Sensor holder	1
123.810	Capacitive sensor assy. BWone	1
123.811	Sensor holder with sensor BWone assy.	1
123.818	Insulation sensor BWone	2
123.835	Adhesive aluminium foil 50x250mm	1

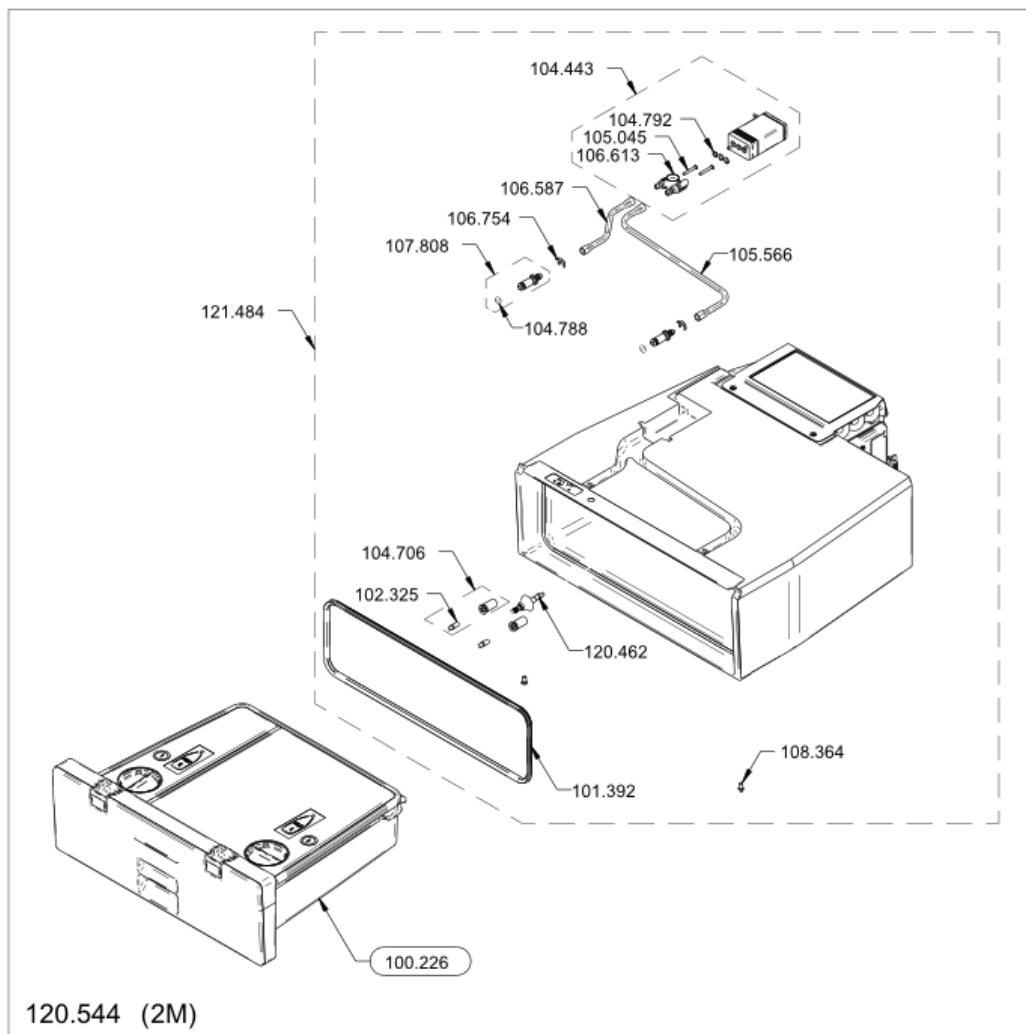
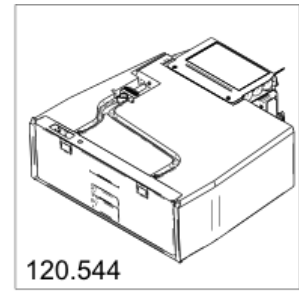
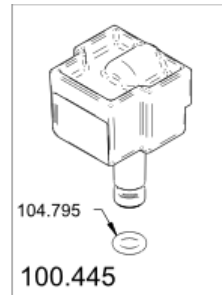
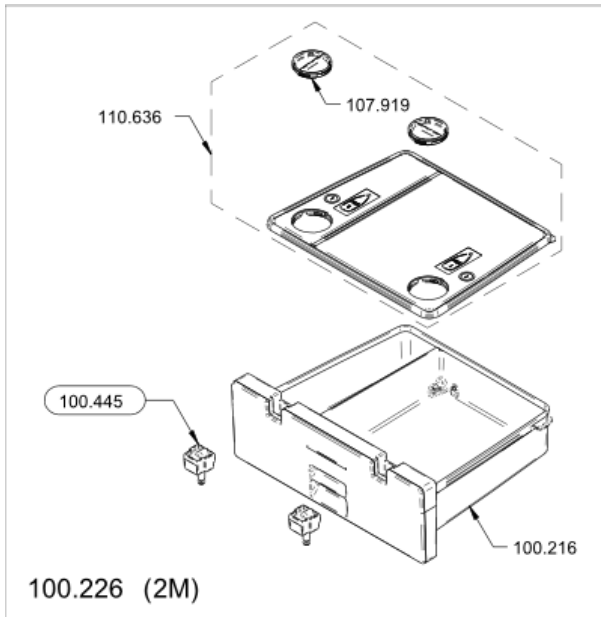
1.36 Cooling unit 4L assy. BWone



1.37 Cooling unit 2 milk BWone

Article no.	Description	Quantity
100.216	Milk tank 4lt TT - 2 Milk welded	1
100.226	Milk tank 4.0L, assembly	1
100.445	Insert suction milk tank Tiger base	2
101.392	Sealing milk module Tiger base 4L	1
102.325	Spring contact round head, CuBe	1
104.443	Milk switch Tiger base with valve, assembly	1
104.706	Spring level contact, assembly	1
104.788	O-Ring 5.28x1.78 EPDM	1
104.792	O-Ring 5.00x1.50 FKM	3
104.795	O-Ring 6.07x1.78 FKM	1
105.045	Oval head PT screw KA30x20	2
105.566	Silicone hose ø8.5/4 x 289mm	1
106.587	Silicone hose ø8.5/4 x 117mm	1
106.613	Base milk plasticized	1
106.754	Washer STS ø8	2
107.808	Nipple milk connection Tiger base cpt	2
107.919	Lid milk water tank Tiger base	2
107.919	Lid milk water tank Tiger base	2
108.364	Screw M04X08 form H	2
110.636	Cover milktank (1type) 4.0L, assembly	1
120.462	NTC Level probe milk moulded BWone	1
121.484	Cooling unit 2 milk BWone	1

1.37 Cooling unit 2 milk BWone



1.38 Support fan assy. BWone

Article no.	Description	Quantity
104.055	Oval head screw M5x10 Phillips	2
108.012	Square nut M5	2
116.541	Socket head screw M4x6	4
120.820	Fans unit set	1
123.744	Adhesive aluminium foil 50mm x 20mm	1

1.38 Support fan assy. BWone

