

Spare parts catalogue

BW3CTM



Content

1 BW3CTM.....	4	1.14.1.3 Solenoid valve 2/2 Water inlet assy.	98
1.1 Paneling BW3 CT2.....	6	1.14.1.4 BWCO Control Board, assy.	100
1.2 Frontlift CT BW3 assy.	8	1.14.2 Diaphragm valve Hyd.Mod BW2v2/BW3 ..	102
1.2.1 Touch screen box with electronics	10	1.14.3 Wiring harness frame CTMcool BW2/BW3v3 assy.	104
1.3 Front BW3 CTM assy.....	12	1.14.4 Power unit BW2/BW3 w/o Commutator	106
1.4 Clapper board CT BW3 Support teaoutlet assy.	14	1.15 Mech. Modul M1 BW2/BW3v3 assy.....	108
1.5 Front BW3v3 POD CTM.....	16	1.15.1 Left grinder ceramic BW2/BW3, assy.	110
1.5.1 Coffee outlet BW3 Pod.....	18	1.15.2 Brew chamber + mobile piston BW2 assy.	112
1.6 Ground drawer BW3 cpl.....	20	1.15.3 Rear block with motor BW2/V901	114
1.7 Ground drawer lockable BW3 assy.....	22	1.15.4 Front block BW3 assy.	116
1.8 Ground drawer BW3 with funnel assy.....	24	1.15.4.1 Fix piston BW2/3 assy.....	118
1.9 Drip tray CT BW3 cpl.	26	1.15.5 Hydr. plug connector mecha 2 way assy. .	120
1.10 Bean hopper lockable BW2 assy.	28	1.16 Mech. Modul M2 BW2/BW3v3 assy.....	122
1.11 Frame BW3 CTM TCC assy.	30	1.16.1 Left grinder ceramic BW2/BW3, assy.	124
1.11.1 Frame BW3 CTM TCC.....	32	1.16.2 Brew chamber + mobile piston BW2 assy.	126
1.11.1.1 BWCO Control Board, assy.	34	1.16.3 Rear block with motor BW2/V901	128
1.11.2 Water connection frame BW2/BW3 assy..	36	1.16.4 Front block BW3 assy.	130
1.11.3 Hydraulic plug 4 line BW2/3 assy.....	38	1.16.4.1 Fix piston BW2/3 assy.....	132
1.11.4 Diaphragm valve Hyd.Mod BW2v2/BW3 ..	40	1.16.5 Hydr. plug connector mecha 2 way assy. .	134
1.11.5 Cleaning system BW3 set.....	42	1.17 Hyd. Modul CTM 2.5kW BW2/3 assy.....	136
1.11.6 Solenoid valve 2/2 Water inlet assy.	44	1.17.1 Frame hydraulic CTM BW2/BW3 assy.....	138
1.11.7 Drain piping BW3 CTM TCC assy.....	46	1.17.1.1 Water entry clip BW2/BW3 assy.	140
1.11.8 Wiring harness frame CTMcool BW2/BW3v3 assy.	48	1.17.1.2 Milk inlet connector BW2/BW3 assy.	142
1.11.9 Power unit BW3 w/o Commutator TCC.....	50	1.17.1.3 Diaphragm valve Hyd.Mod BW2v2/BW3	144
1.12 Frame BW3 CTM TCC (POD) assy.	52	1.17.1.4 prePump Flowmeter Molex	146
1.12.1 Frame BW3 CTM TCC.....	54	1.17.2 Pressure gauge Hyd.Modul BW2v2/BW3 set	148
1.12.1.1 BWCO Control Board, assy.	56	1.17.3 Coffee boiler CTM BW2/3 assy.....	150
1.12.2 Water connection frame BW2/BW3 assy..	58	1.17.4 3 valve block BW2/BW3 set	152
1.12.3 Hydraulic plug 4 line BW2/3 assy.....	60	1.17.5 Pump unit with pressreg. Inox assy.	154
1.12.4 Diaphragm valve Hyd.Mod BW2v2/BW3 ..	62	1.17.5.1 Milk pump Inox set	156
1.12.5 Drain piping BW3 CTM TCC assy.....	64	1.17.5.1.1 Milk Pump inox with motor assy.....	158
1.12.6 Wiring harness frame CTMcool BW2/BW3v3 assy.	66	1.17.5.1.1.1 3/2 mini solenoid valve, assy.	160
1.12.7 Power unit BW3 w/o Commutator TCC.....	68	1.17.5.2 Cleaning block without purge valve assy.	162
1.13 Frame BW3v3 CTMcool assy.	70	1.17.5.3 Micropump set.....	164
1.13.1 Frame CT assy, BW2/BW3v3	72	1.18 Hyd. Modul CTM/CBTM BW3 3.2kW 16Wi. comb	166
1.13.1.1 Water connection BW2/3 assy.	74	1.18.1 Frame hydraulic CTM BW2/BW3 assy.....	168
1.13.1.2 Solenoid valve 2/2 Water inlet assy.	76	1.18.1.1 Water entry clip BW2/BW3 assy.	170
1.13.1.3 Hydraulic plug 4 line BW2/3 assy.....	78	1.18.1.2 Milk inlet connector BW2/BW3 assy.	172
1.13.1.4 BWCO Control Board, assy.	80	1.18.1.3 Diaphragm valve Hyd.Mod BW2v2/BW3	174
1.13.2 Diaphragm valve Hyd.Mod BW2v2/BW3 ..	82	1.18.1.4 prePump Flowmeter Molex	176
1.13.3 Cleaning system BW3 set.....	84	1.18.2 Pressure gauge Hyd.Modul BW2v2/BW3 set	178
1.13.4 Wiring harness frame CTMcool BW2/BW3v3 assy.	86	1.18.3 Coffee boiler CTM BW3 3.2kW 16Wi. assy.	180
1.13.5 Power unit BW2/BW3 w/o Commutator	88	1.18.4 3 valve block BW2/BW3 set	182
1.14 Frame BW2v3 CTMcool (POD) assy.	90	1.18.5 Pump unit with pressreg. Inox assy.	184
1.14.1 Frame CT assy, BW2/BW3v3	92	1.18.5.1 Milk pump Inox set	186
1.14.1.1 Water connection BW2/3 assy.	94	1.18.5.1.1 Milk Pump inox with motor assy.....	188
1.14.1.2 Hydraulic plug 4 line BW2/3 assy.....	96	1.18.5.1.1.1 3/2 mini solenoid valve, assy.	190

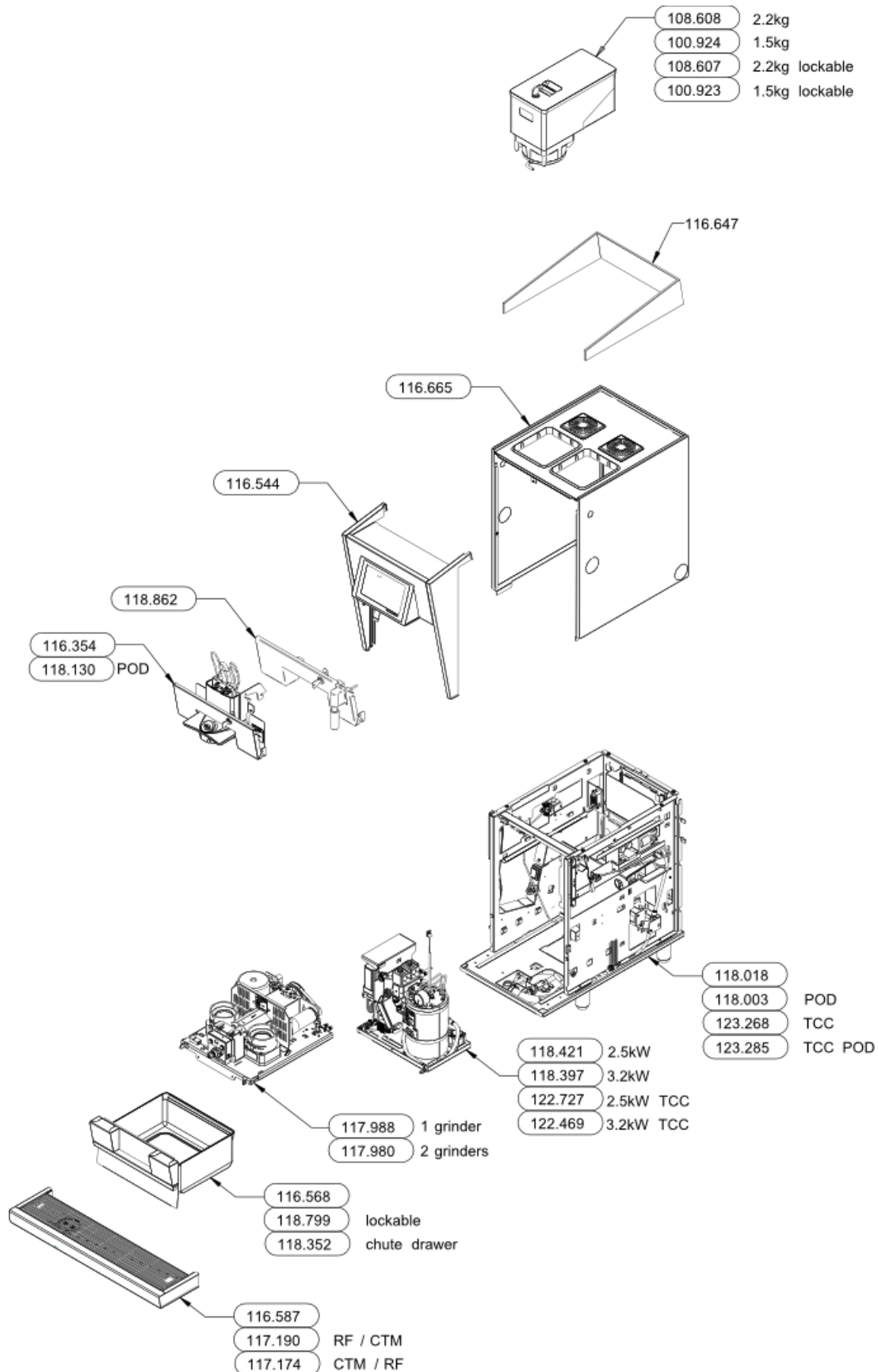
Content

1.18.5.2	Cleaning block without purge valve assy.	192
1.18.5.3	Micropump set.....	194
1.19	Hyd. Modul CTM BW3 3.2kW TCC.....	196
1.19.1	Frame hydraulic CTM BW2/BW3 assy.....	198
1.19.1.1	Water entry clip BW2/BW3 assy.	200
1.19.1.2	Milk inlet connector BW2/BW3 assy.	202
1.19.1.3	Diaphragm valve Hyd.Mod BW2v2/BW3	204
1.19.1.4	prePump Flowmeter Molex	206
1.19.2	Pressure gauge Hyd.Modul BW2v2/BW3 set	208
1.19.3	Coffee boiler CTM BW3 3.2kW 16Wi. assy.	210
1.19.4	3 valve block BW2/BW3 set.....	212
1.19.5	Pump unit without pressreg. TCC assy.	214
1.19.5.1	Milk pump Inox set	216
1.19.5.1.1	Milk Pump inox with motor assy.....	218
1.19.5.1.1.1	3/2 mini solenoid valve, assy.	220
1.19.5.2	Cleaning block without pressur reducer .	222
1.19.5.3	Micropump set.....	224
1.20	Hyd. Modul CTM 2.5kW TCC.....	226
1.20.1	Frame hydraulic CTM BW2/BW3 assy.....	228
1.20.1.1	Water entry clip BW2/BW3 assy.	230
1.20.1.2	Milk inlet connector BW2/BW3 assy.	232
1.20.1.3	Diaphragm valve Hyd.Mod BW2v2/BW3	234
1.20.1.4	prePump Flowmeter Molex	236
1.20.2	Pressure gauge Hyd.Modul BW2v2/BW3 set	238
1.20.3	Coffee boiler CTM BW2/3 assy.....	240
1.20.4	3 valve block BW2/BW3 set.....	242
1.20.5	Pump unit without pressreg. TCC assy.	244
1.20.5.1	Milk pump Inox set	246
1.20.5.1.1	Milk Pump inox with motor assy.....	248
1.20.5.1.1.1	3/2 mini solenoid valve, assy.	250
1.20.5.2	Cleaning block without pressur reducer .	252
1.20.5.3	Micropump set.....	254

1 BW3CTM

Article no.	Description	Quantity
100.923	Bean hopper lockable BW2 assy.	1
116.354	Front BW3 CTM assy.	1
116.544	Frontlift CT BW3 assy.	1
116.568	Ground drawer BW3 cpl.	1
116.587	Drip tray CT BW3 cpl.	1
116.647	Cup frame BW3 CT	1
116.665	Paneling BW3 CT2	1
117.980	Mech. Modul M2 BW2/BW3v3 assy.	1
117.988	Mech. Modul M1 BW2/BW3v3 assy.	1
118.003	Frame BW2v3 CTMcool (POD) assy.	1
118.018	Frame BW3v3 CTMcool assy.	1
118.130	Front BW3v3 POD CTM	1
118.352	Ground drawer BW3 with funnel assy.	1
118.397	Hyd. Modul CTM/CBTM BW3 3.2kW 16Wi. comb	1
118.421	Hyd. Modul CTM 2.5kW BW2/3 assy.	1
118.799	Ground drawer lockable BW3 assy.	1
118.862	Clapper board CT BW3 Support teaoutlet assy.	1
122.469	Hyd. Modul CTM BW3 3.2kW TCC	1
122.727	Hyd. Modul CTM 2.5kW TCC	1
123.268	Frame BW3 CTM TCC assy.	1
123.285	Frame BW3 CTM TCC (POD) assy.	1

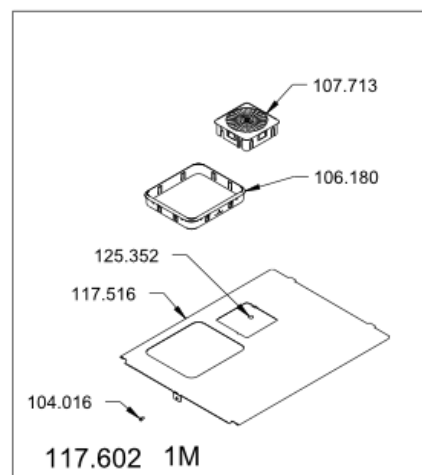
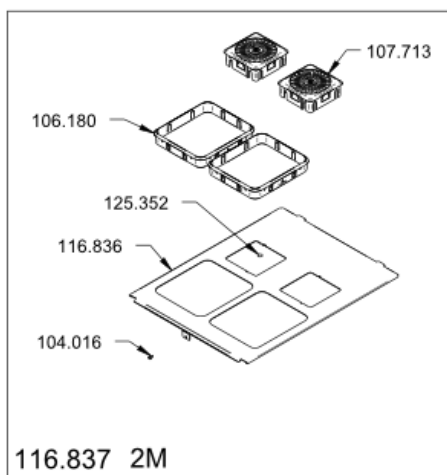
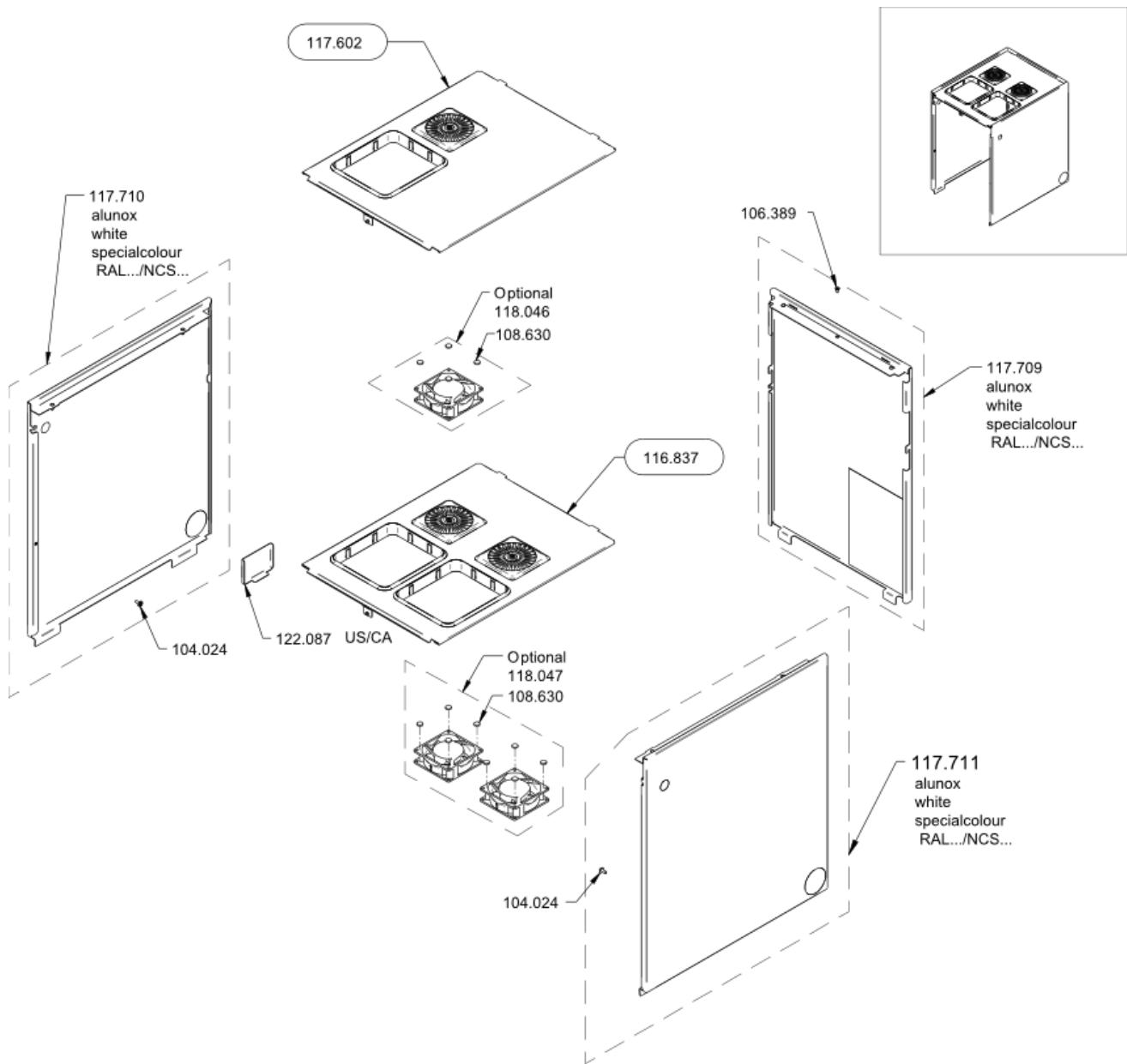
1 BW3CTM



1.1 Paneling BW3 CT2

Article no.	Description	Quantity
104.016	Oval head Phillips combi screw M4x8	1
104.016	Oval head Phillips combi screw M4x8	1
104.024	Lens head screw M04x10	1
104.024	Lens head screw M04x10	1
106.180	Frame bean hopper	1
106.180	Frame bean hopper	2
106.389	Countersunk screw Phillips M4x8	1
107.713	Fan support	1
107.713	Fan support	2
108.630	Threaded washer M5	8
108.630	Threaded washer M5	4
116.836	Upper panel CT 2M BW2v2/BW3	1
116.837	Upper panel CT 2M BW2v2 assy.	1
117.516	Upper panel CT 1M BW2v2/BW3	1
117.602	Upper panel CT 1M BW2v2/BW3 assy.	1
117.709	Rear panel CT BW3 set	1
117.710	Left side panel with holes BW3 set	1
117.711	Right side panel with holes BW3 set	1
118.046	1x axial fan 24VDC set	1
118.047	2x axial fan 24VDC set	1
125.352	Sticker protective earth (ground)	1
125.352	Sticker protective earth (ground)	1

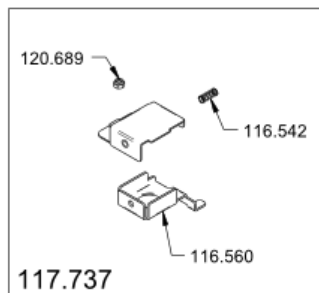
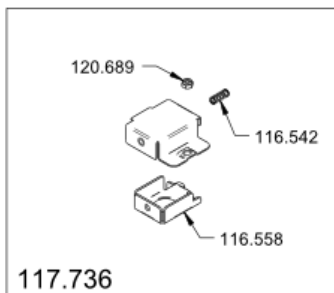
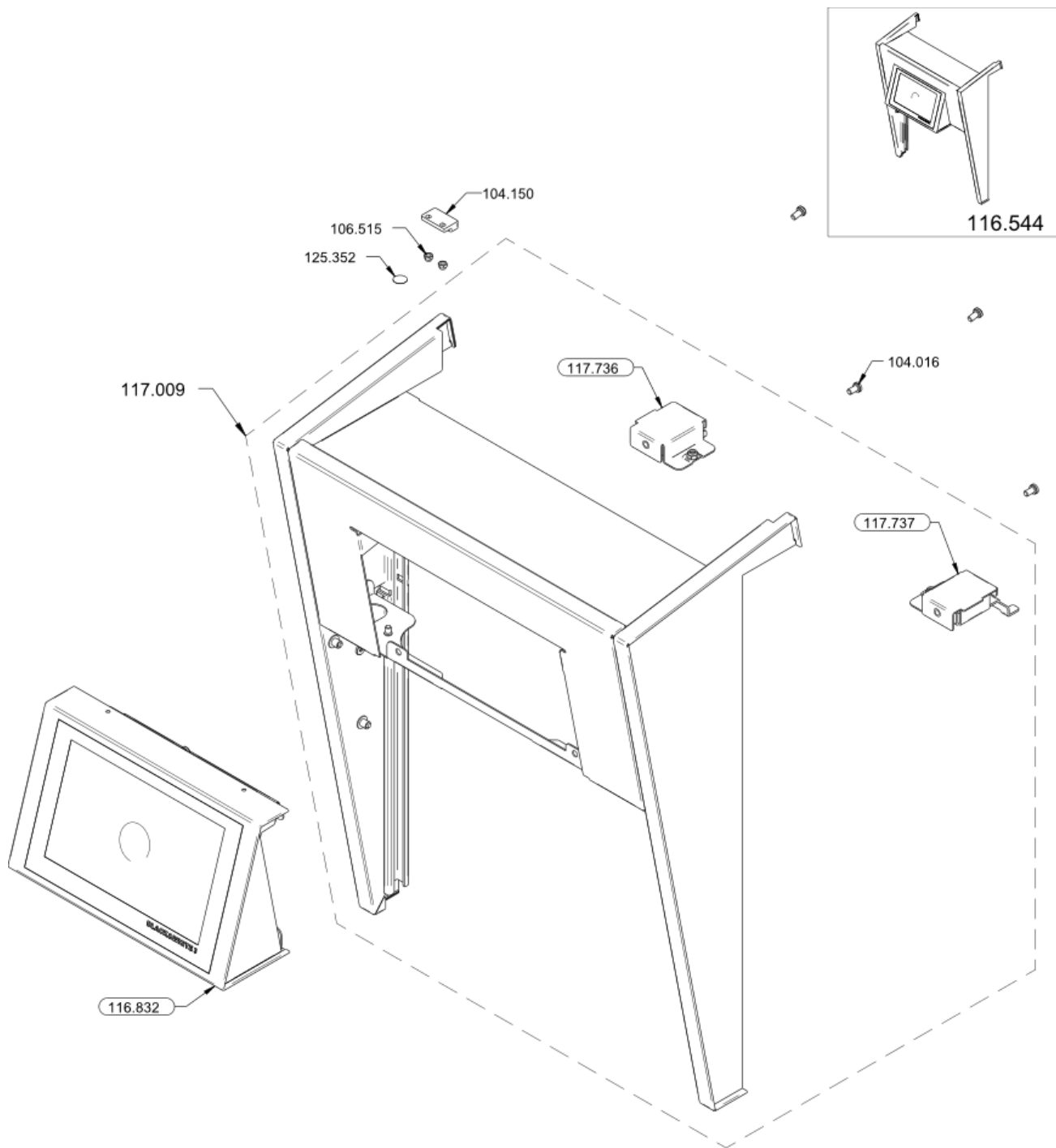
1.1 Paneling BW3 CT2



1.2 Frontlift CT BW3 assy.

Article no.	Description	Quantity
104.016	Oval head Phillips combi screw M4x8	4
104.150	Magnet M4 for reed-contact	1
106.515	Prevailing torque hex nut M3	2
116.542	Spring $\varnothing 5.5 \times \varnothing 0.5 \times 14$	1
116.542	Spring $\varnothing 5.5 \times \varnothing 0.5 \times 14$	1
116.558	Bolt left BW3	1
116.560	Bolt right BW3	1
116.832	Touch screen box with electronics	1
117.009	Frontlift BW3 CT assy. without touchbox	1
117.736	Latch left hand set	1
117.737	Latch right hand set	1
120.689	Lock nut M04	1
120.689	Lock nut M04	1
125.352	Sticker protective earth (ground)	1

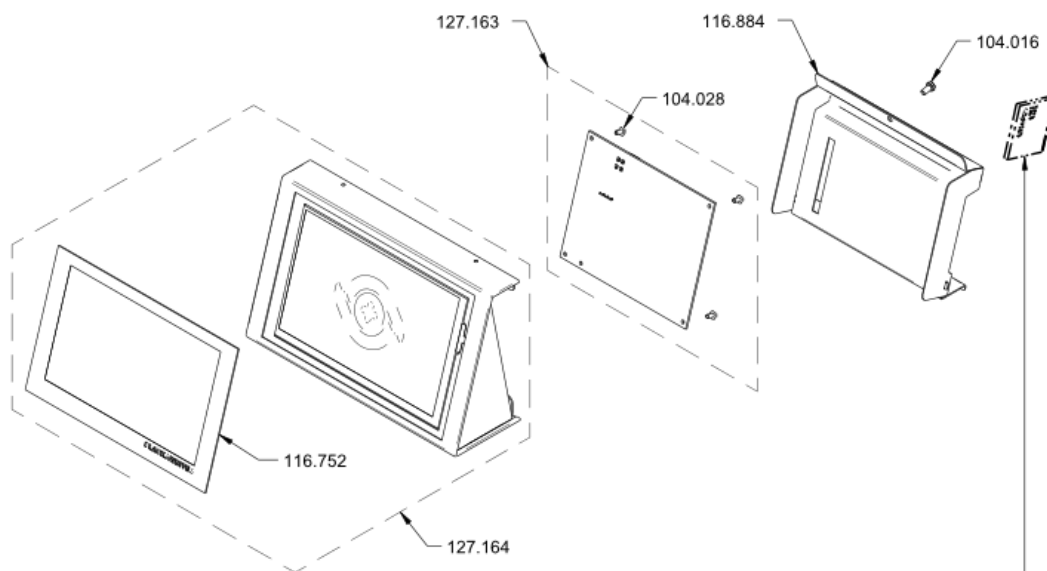
1.2 Frontlift CT BW3 assy.



1.2.1 Touch screen box with electronics

Article no.	Description	Quantity
104.016	Oval head Phillips combi screw M4x8	1
104.028	Phillips screw M3x6	4
116.752	Touchfoil BW3	1
116.884	Cover plate FOX BW3	1
127.163	Fox 70 set	1
127.164	Touch screen box without electronic	1

1.2.1 Touch screen box with electronics

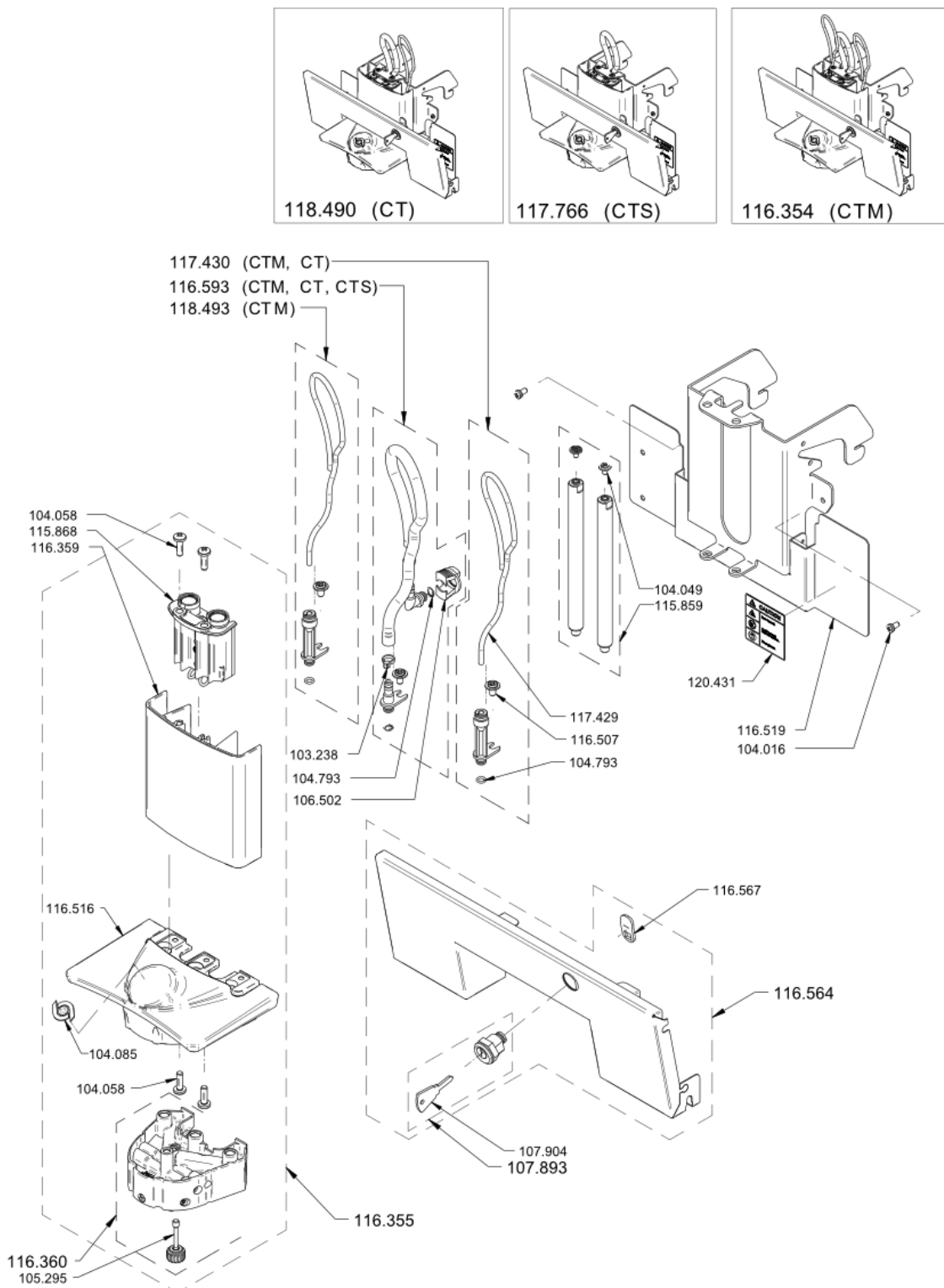


CF memory not included.
For detailed information please go to
FOX2 Software Download / EPROM / CF Cards

1.3 Front BW3 CTM assy.

Article no.	Description	Quantity
103.238	Cable tie	2
104.016	Oval head Phillips combi screw M4x8	2
104.049	Oval head screw M4x6 Phillips	2
104.058	Oval head screw M5x16 thread grooving	4
104.085	Logo Thermoplan	1
104.793	O-Ring 5.00x1.50 MVQ	1
104.793	O-Ring 5.00x1.50 MVQ	1
105.295	Knurled screw M5x27	1
106.502	Securing clip	1
107.893	Lock (cylinder + set with 2 keys)	1
107.904	Key-lock (set with 2 pieces)	1
115.859	Set guide rails coffee outlet	1
115.868	Guide System Coffeespout,assy	1
116.355	Outlet unit cpl.	1
116.359	Guidance for outlet unit	1
116.360	Outlet unit BW3 cpl.	1
116.507	Lens head screw M5 x8	1
116.516	Support outlet unit assy.	1
116.519	Metal sheet for outlet assy.	1
116.564	Clapper board BW3 cpl.	1
116.567	Tongue	1
116.593	Tube coffee outlet BW3 cpl.	1
117.429	FEP pipe \varnothing 4/2 x 300mm	1
117.430	Tube teaoutlet BW3	1
118.493	Tube milkoutlet BW3	1
120.431	Label "Burn hazard"	1

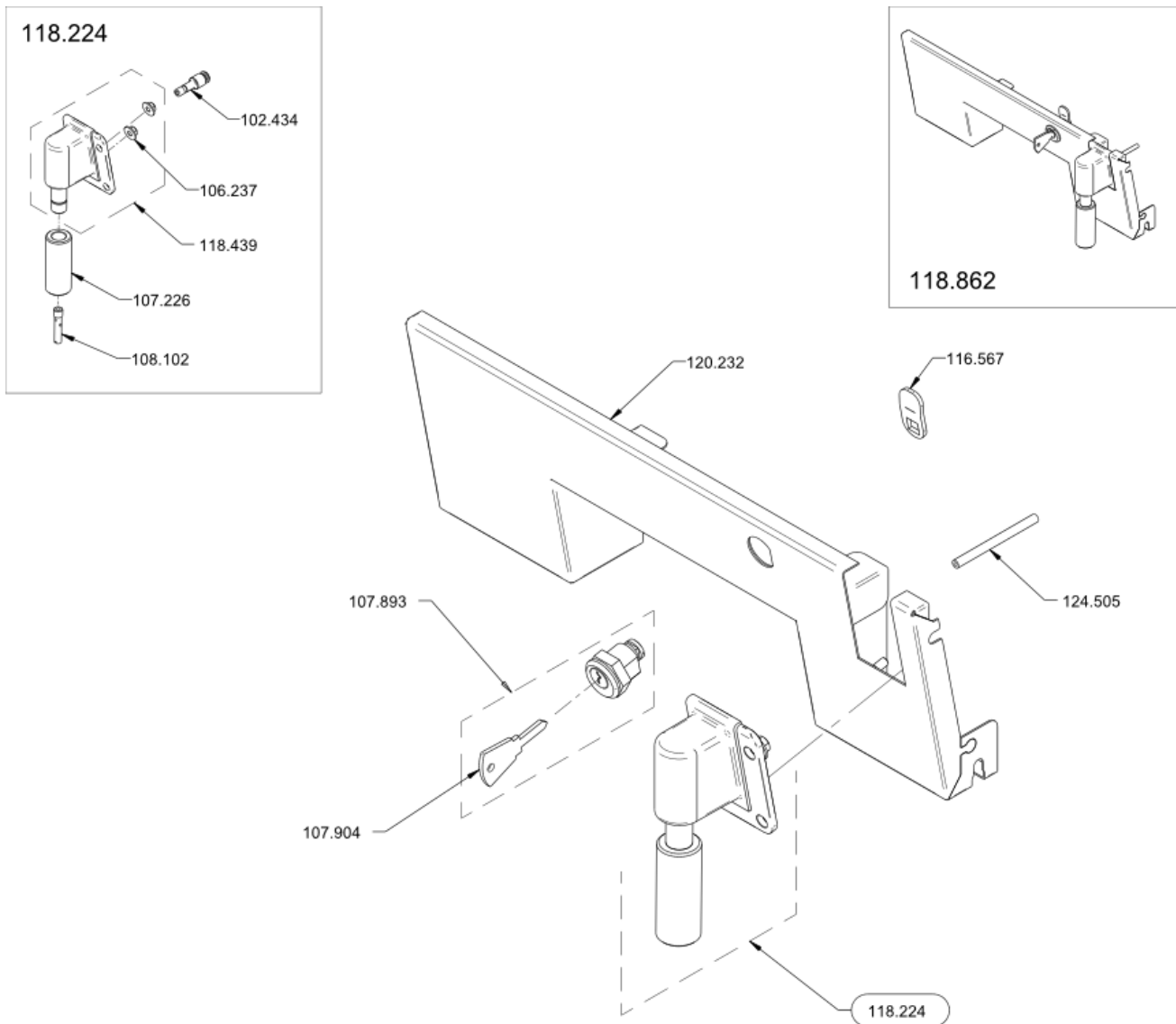
1.3 Front BW3 CTM assy.



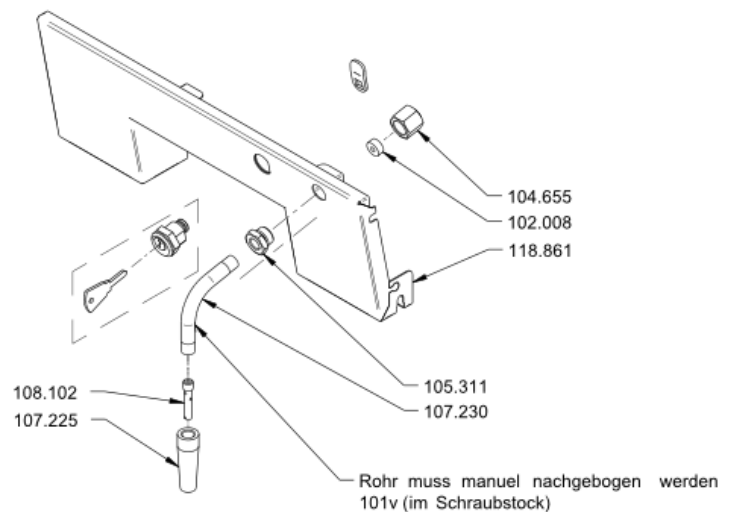
1.4 Clapper board CT BW3 Support teaoutlet assy.

Article no.	Description	Quantity
102.008	Seal 11.5/4x5	1
102.434	Straight plug connection 4-6	1
104.655	Tea outlet nut	1
105.311	Threaded adapter G 1/4-1/8	1
106.237	Hexagonal nut M4 kombi	2
107.225	Anti splash housing	1
107.226	Anti splash housing BW2/BW3	1
107.230	Tea pipe	1
107.893	Lock (cylinder + set with 2 keys)	1
107.904	Key-lock (set with 2 pieces)	1
108.102	Anti splash piece	1
108.102	Anti splash piece	1
116.567	Tongue	1
118.224	Support teaoutlet short BW3 assy.	1
118.439	Support outlet tea preassembled BW3 Pod	1
118.861	Clapper board CT BW3 Support teaoutlet	1
120.232	Clapper CT BW3	1
124.505	FEP pipe \varnothing 4/2 x 230mm	1

1.4 Clapper board CT BW3 Support teaoutlet assy.



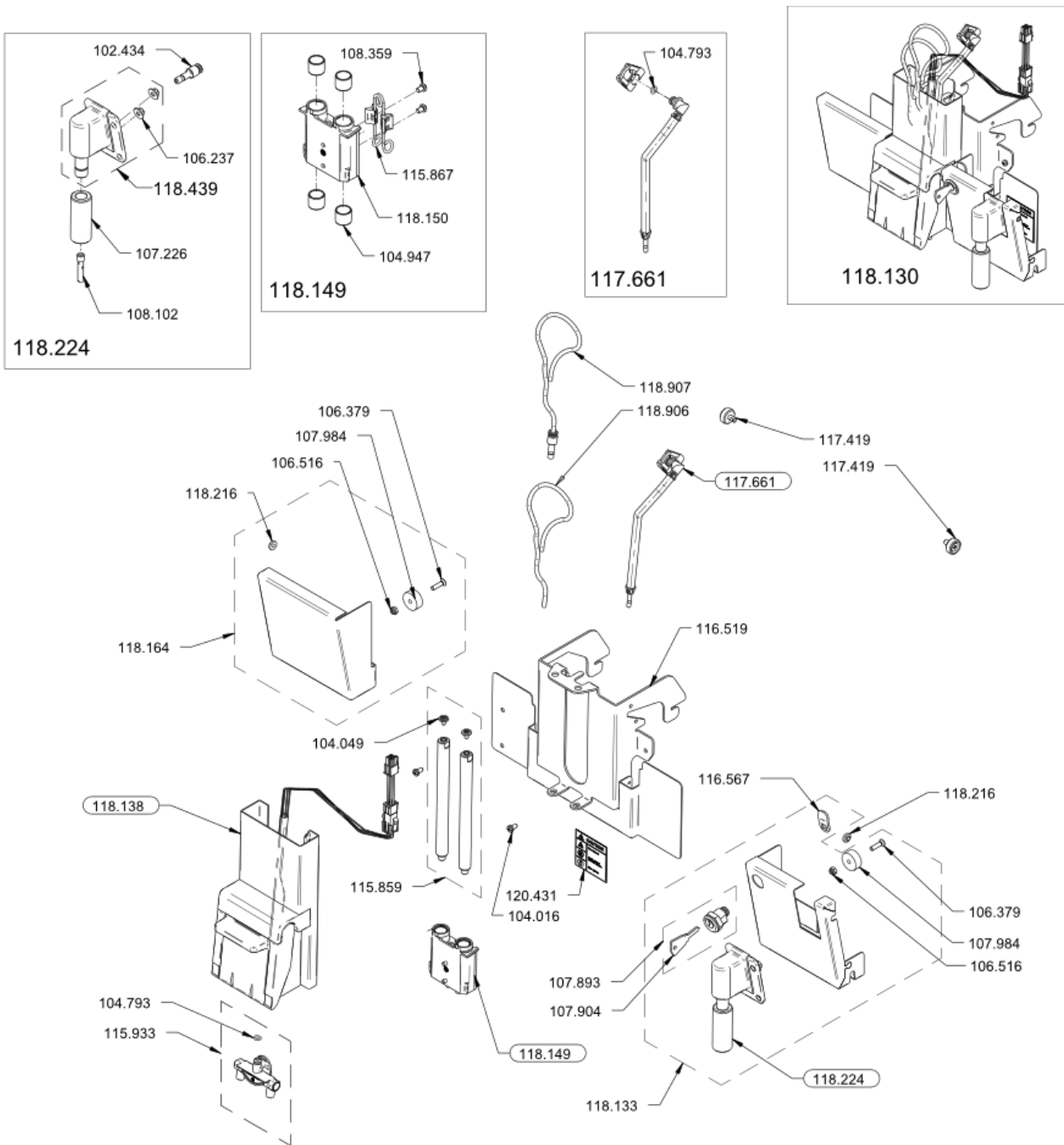
Vorherige Version / Previous version
 Produziert bis Mrz 2011 / Produced until march 2011



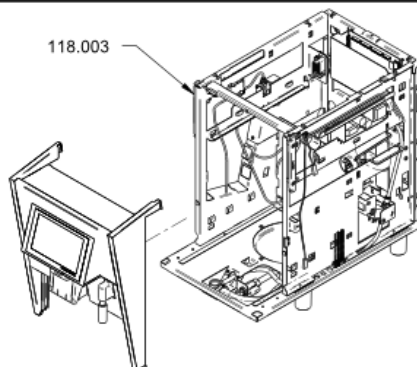
1.5 Front BW3v3 POD CTM

Article no.	Description	Quantity
102.434	Straight plug connection 4-6	1
104.016	Oval head Phillips combi screw M4x8	2
104.049	Oval head screw M4x6 Phillips	2
104.793	O-Ring 5.00x1.50 MVQ	1
104.793	O-Ring 5.00x1.50 MVQ	1
104.947	Guide sleeve P11 PAP 1212	4
106.237	Hexagonal nut M4 kombi	2
106.379	Countersunk screw Phillips M4x16	1
106.379	Countersunk screw Phillips M4x16	1
106.516	Lock nut M4	1
106.516	Lock nut M4	1
107.226	Anti splash housing BW2/BW3	1
107.893	Lock (cylinder + set with 2 keys)	1
107.904	Key-lock (set with 2 pieces)	1
107.984	Pot magnet ø20x8	1
107.984	Pot magnet ø20x8	1
108.102	Anti splash piece	1
108.359	Socket flat head screw M4x6	2
115.859	Set guide rails coffee outlet	1
115.867	Brake coffee spout Mastrena, assy.	1
115.933	Milk outlet BW2 assy.	1
116.519	Metal sheet for outlet assy.	1
116.567	Tongue	1
117.419	Set guiding plates	2
117.661	Coffee tube BW2v2 assy	1
118.003	Frame BW2v3 CTMcool assy.	1
118.133	Clapper right BW3 POD assy.	1
118.138	Coffee outlet BW3 Pod	1
118.149	Coffee outlet slide BW3 Pod	1
118.150	Coffee outlet slide BW3 Pod	1
118.164	Clapper left BW3 Pod assy.	1
118.216	Attachment to the frontlift BW3	2
118.224	Support teaoutlet short BW3 assy.	1
118.439	Support outlet tea preassembled BW3 Pod	1
118.906	FEP pipe ø4/2 x 350mm	1
118.907	Milk Tube outlet unit CTM BW3 assy.	1
120.431	Label "Burn hazard"	1

1.5 Front BW3v3 POD CTM



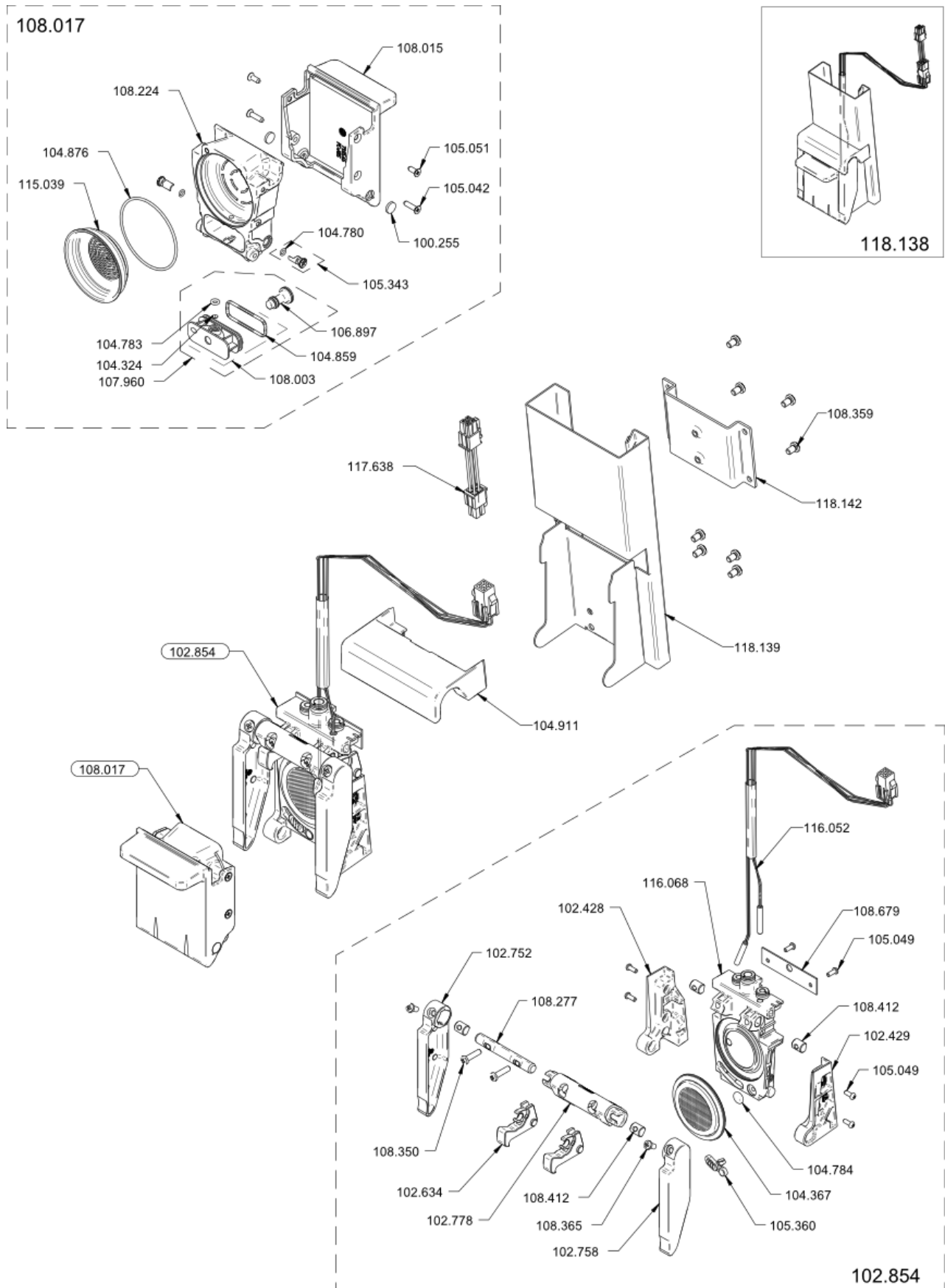
Note: BW3 CTM POD
needs chassis 118.003



1.5.1 Coffee outlet BW3 Pod

Article no.	Description	Quantity
100.255	Cylindrical stopper $\varnothing 7.7$	2
102.428	Left articulation plate POD BW2	1
102.429	Right articulation plate POD BW2	1
102.634	POD hook, assy.	2
102.752	Left lever POD BW2/BW3	1
102.758	Lever right POD BW2/BW3	1
102.778	Lever axle	1
102.854	Rear assembly POD BW2	1
104.324	Diaphragm POD coffee outlet	1
104.367	Filter POD, assembly	1
104.780	O-Ring 3.00x1.00 NBR	1
104.783	O-Ring 3.00x1.50 FKM	1
104.784	O-Ring 4.42x2.62 FKM	1
104.859	O-Ring 23.00x2.00 FKM	1
104.876	O-Ring 49.00x1.50 FKM	1
104.911	Upper cover POD BW2	1
105.042	Countersunk PT screw KA30x12	2
105.049	Oval head PT screw Phillips KA30x8	6
105.051	Countersunk PT screw Phillips KA30x8	2
105.343	Regulation Plug coffee, assembly	2
105.360	Cleaning selector switch, assembly	1
106.897	Pushbotton, assy.	1
107.960	Distribution POD, assembly	1
108.003	POD selector + O-ring	1
108.015	Front cover POD	1
108.017	Front assembly POD BW2	1
108.224	Front cradle POD, assembly	1
108.277	Main axle POD	1
108.350	Socket flat head screw Phillips M4x16	2
108.359	Socket flat head screw M4x6	8
108.365	Socket head cap screw M4x8	2
108.412	Deflection axle	4
108.679	Protection Reed POD	1
115.039	Pressed POD screen with inlay wire	1
116.052	Wiring harness reed POD BW2/3	1
116.068	Rear POD body BW2 assy.	1
117.638	Wiring harness POD	1
118.139	Support coffee outlet BW3 POD assy.	1
118.142	Connector sheet	1

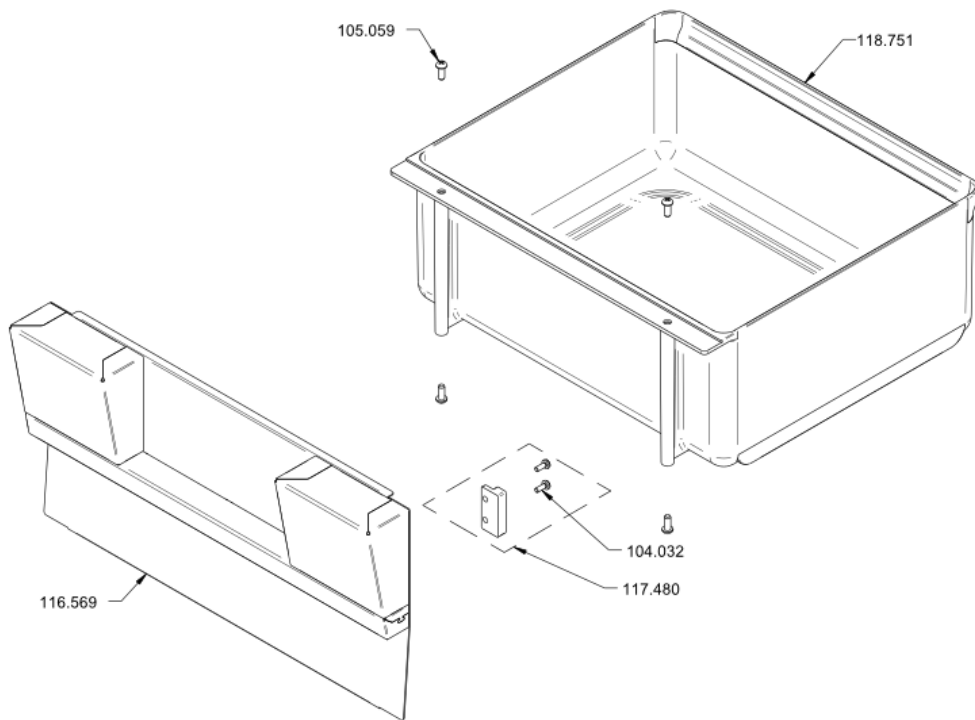
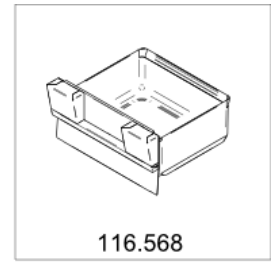
1.5.1 Coffee outlet BW3 Pod



1.6 Ground drawer BW3 cpl.

Article no.	Description	Quantity
104.032	Oval head screw Phillips M3x8	2
105.059	Oval head PT screw Phillips KA40x10	4
116.569	Ground drawer front BW3 cpl.	1
117.480	Magnet for ground drawer set	1
118.751	Ground drawer	1

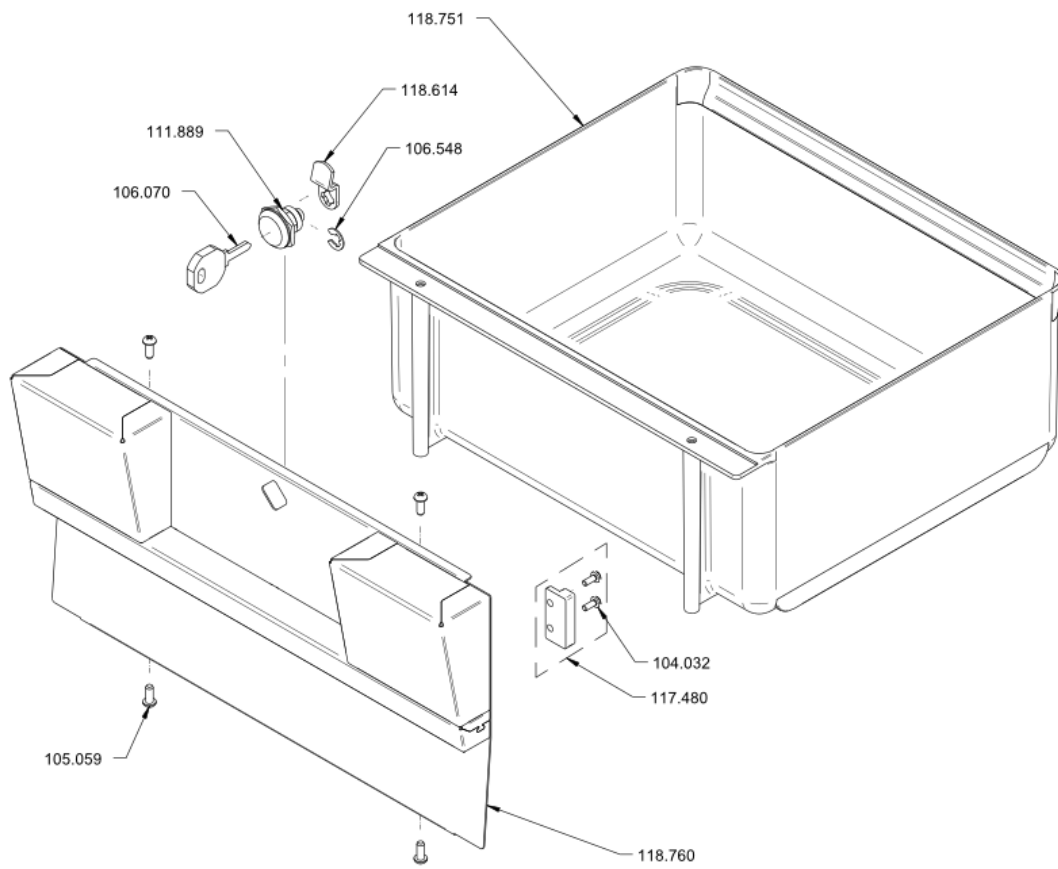
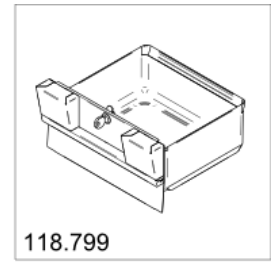
1.6 Ground drawer BW3 cpl.



1.7 Ground drawer lockable BW3 assy.

Article no.	Description	Quantity
104.032	Oval head screw Phillips M3x8	2
105.059	Oval head PT screw Phillips KA40x10	4
106.070	Key (2 pcs.)	1
106.548	Circlip for shaft ø6	1
111.889	Cylinder Lock Emka Polyamid	1
117.480	Magnet for ground drawer set	1
118.614	Belt tonge grounds drawer	1
118.751	Ground drawer	1
118.760	Ground drawer front lockable with stop	1

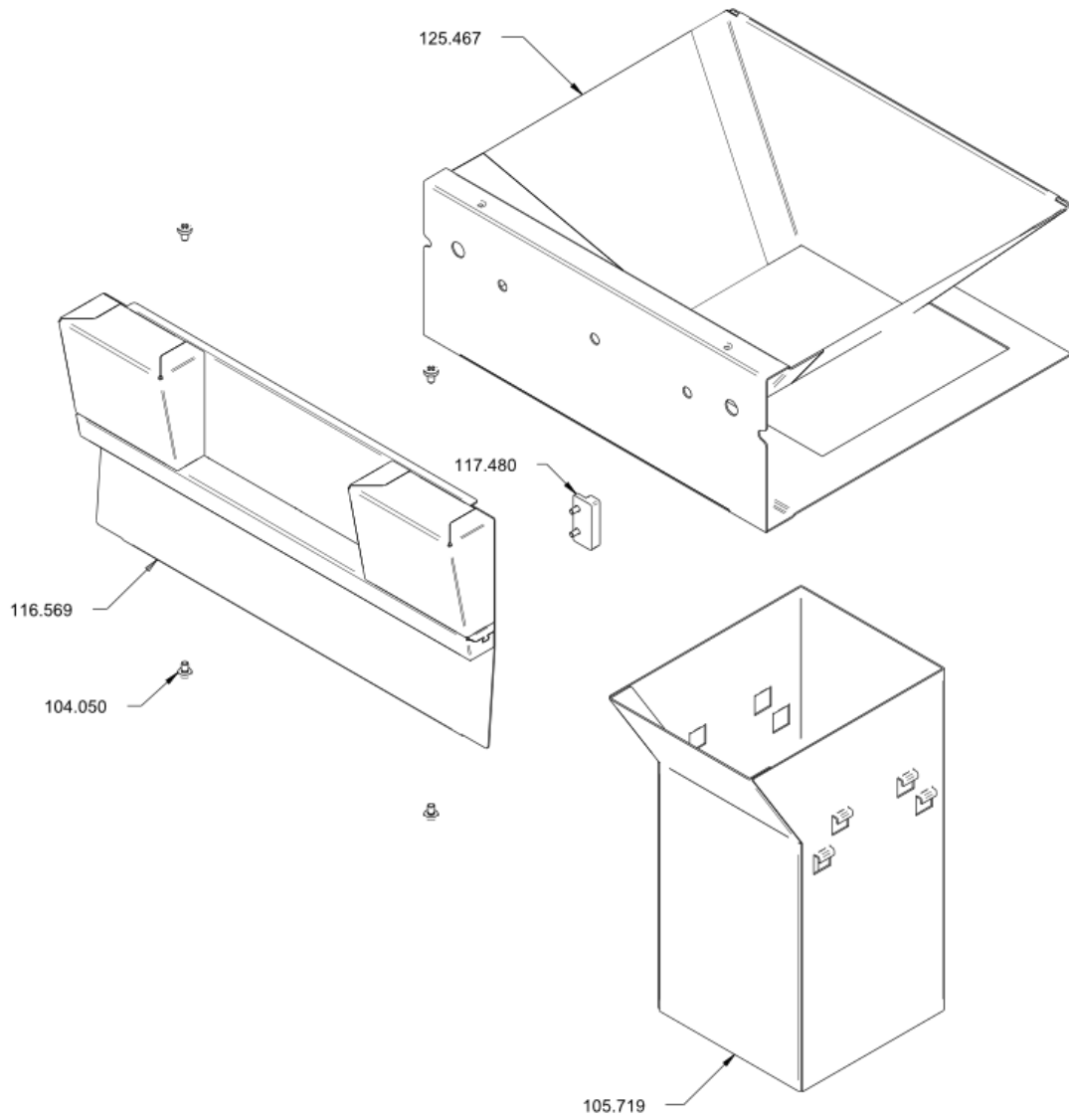
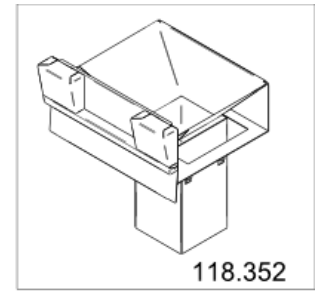
1.7 Ground drawer lockable BW3 assy.



1.8 Ground drawer BW3 with funnel assy.

Article no.	Description	Quantity
104.050	Oval head screw Phillips H M4x6	4
105.719	Channel for sentence release assy.	1
116.569	Ground drawer front BW3 cpl.	1
117.480	Magnet for ground drawer set	1
125.467	Grounds container chute drawer sheet	1

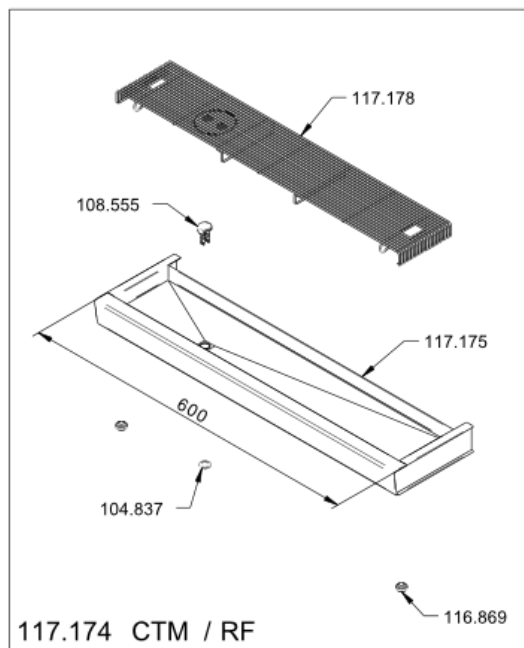
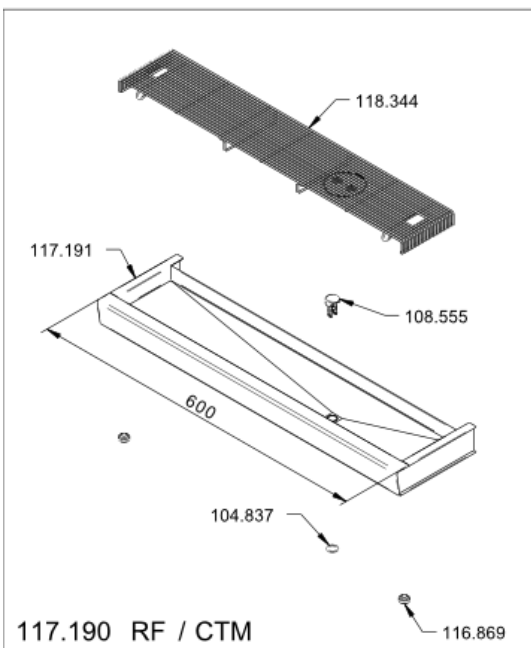
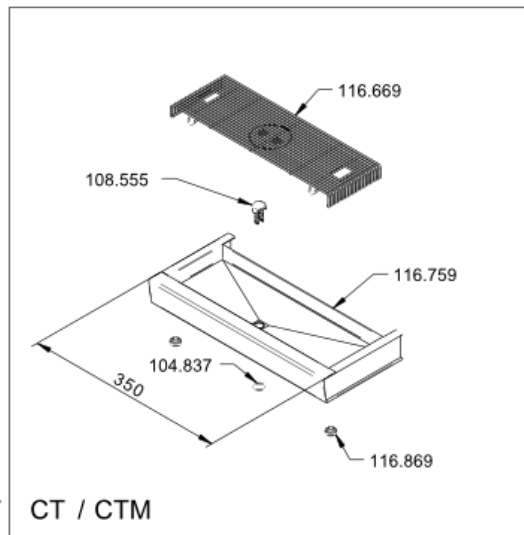
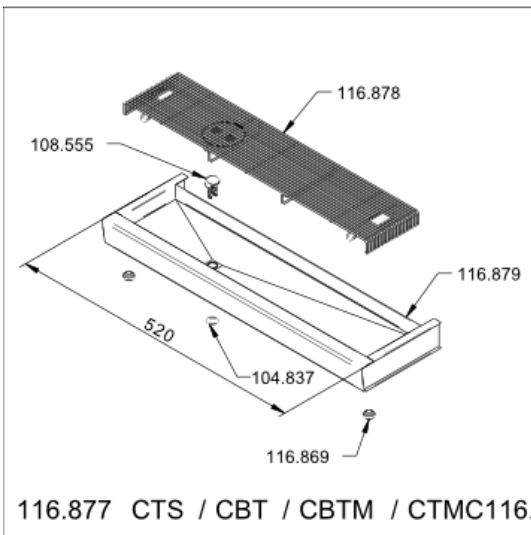
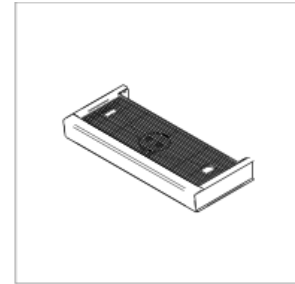
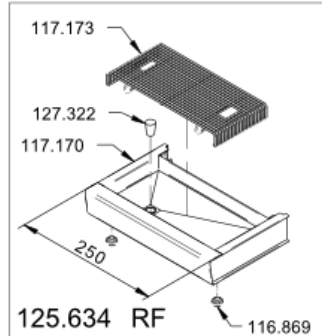
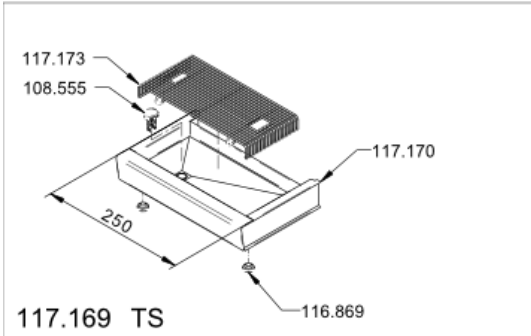
1.8 Ground drawer BW3 with funnel assy.



1.9 Drip tray CT BW3 cpl.

Article no.	Description	Quantity
104.837	O-Ring 14.00x1.78 FKM	1
108.555	Cap drip tray	1
116.669	Drainage tray grill CT	1
116.759	Drip tray CT BW3 cpl.	1
116.869	Puffer button ø16x1(8)	2

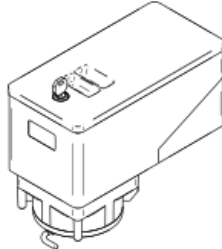
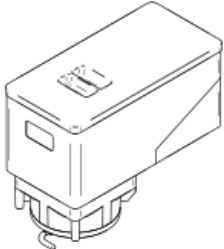
1.9 Drip tray CT BW3 cpl.

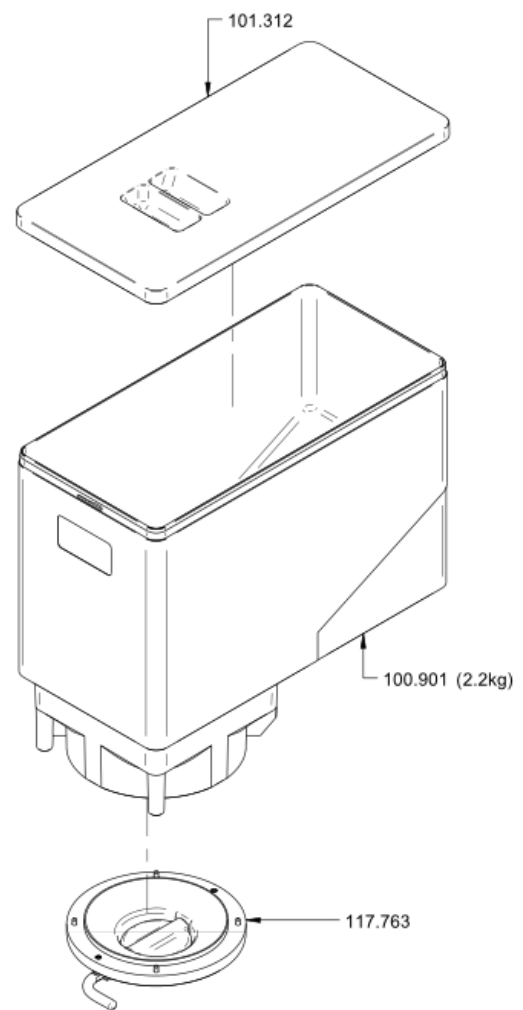
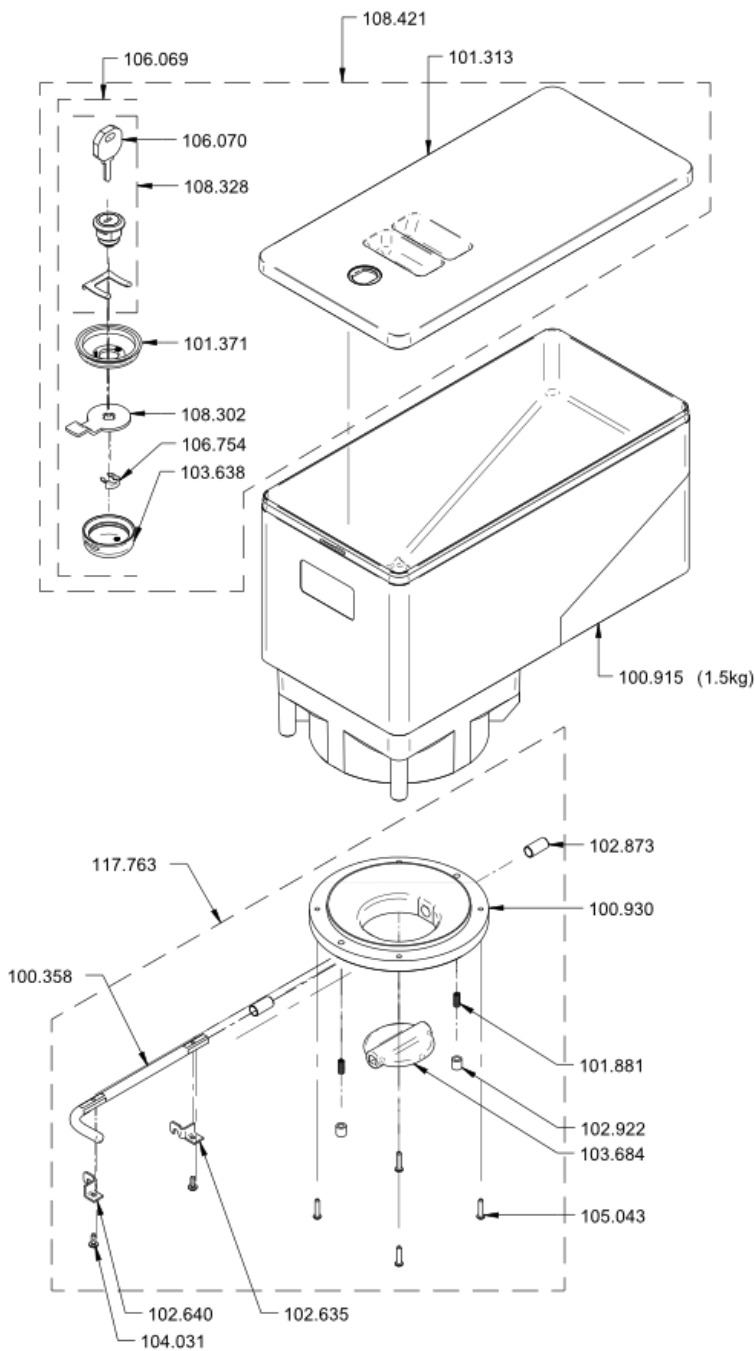


1.10 Bean hopper lockable BW2 assy.

Article no.	Description	Quantity
100.358	AHandle Hopper beans BW	1
100.901	Bean hopper 2.2kg BW2	1
100.915	Bean hopper BW2/3	1
100.924	Bean hopper BW2, assembly	1
100.930	Container base plate	1
101.312	Bean hopperlid BW2	1
101.313	Bean hopperlid BW2 lock.	1
101.371	Cap bean hopper lock	1
101.881	Spring $\varnothing 4 \times 18$	2
102.635	Rear Hook	1
102.640	Front hook	1
102.873	Bush bean hopper BW	2
102.922	Stop $\varnothing 7 \times 7$	2
103.638	Cap bean hopper lock	1
103.684	Bean hopper losure	1
104.031	Oval head thread forming screw Phi. M3x8	2
105.043	PT-Screw KA30x14 oval head Phillips	4
106.069	Lock, assembly	1
106.070	Key (2 pcs.)	1
106.754	Washer STS $\varnothing 8$	1
108.302	Lock lug bean hopper	1
108.328	Cylinder lock with key	1
108.421	Bean container 2 lockable, assembly	1
108.607	Bean container 2.2kg lockable BW2/BW3 kpl.	1
108.608	Bean container 2.2kg BW2/BW3, kpl.	1
117.763	Bean hopper holder set	1
117.763	Bean hopper holder set	1

1.10 Bean hopper lockable BW2 assy.

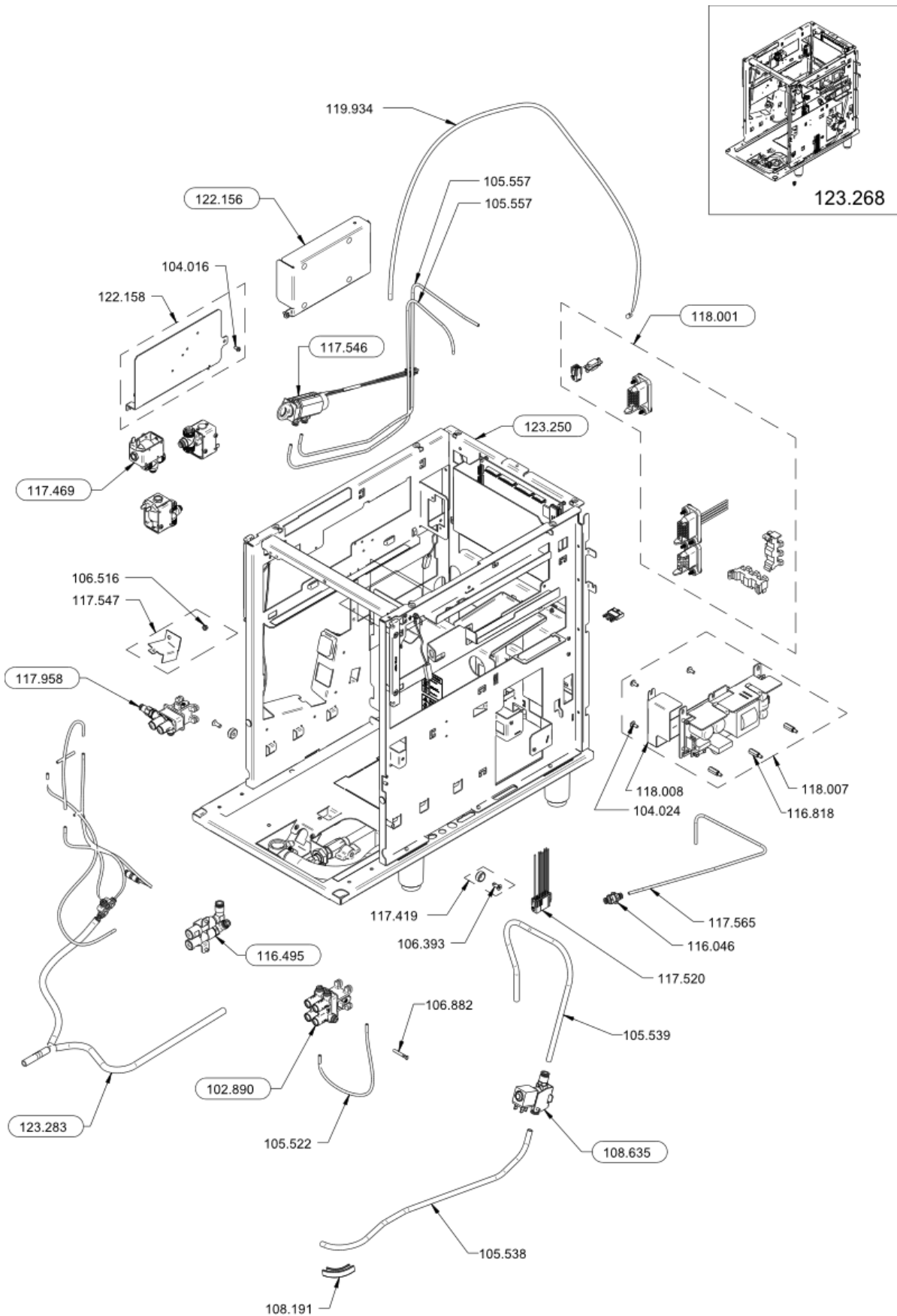
	
lockable	not lockable
100.923 1.5kg	100.924 1.5kg
108.607 2.2kg	108.608 2.2kg



1.11 Frame BW3 CTM TCC assy.

Article no.	Description	Quantity
102.890	Hydraulic plug 4 line BW2/3 assy.	1
104.016	Oval head Phillips combi screw M4x8	1
104.024	Lens head screw M04x10	3
105.522	FEP pipe \varnothing 4/2 x 280mm	1
105.538	FEP pipe \varnothing 8/6 x 480mm	1
105.539	FEP pipe \varnothing 8/6 x 480mm	1
105.557	FEP pipe \varnothing 4/2 x 680mm	2
106.393	Countersunk screw Phillips M5x14	1
106.516	Lock nut M4	1
106.882	Peg \varnothing 4mm	1
108.191	Angle protection to steam pipe	1
108.635	Solenoid valve 2/2 Water inlet assy.	1
116.046	Straight Schott connection 4-4	1
116.495	Water connection frame BW2/BW3 assy.	1
116.818	Spacer MF M4x18	3
117.419	Set guiding plates	2
117.469	Diaphragm valve Hyd.Mod BW2v2/BW3	3
117.520	Connect. cable interior CTM-RF BW2/BW3	1
117.546	Cleaning system BW3 set	1
117.547	Sheetmetal cleaning key BW3 assy.	1
117.565	FEP pipe \varnothing 4/2 x 480mm	1
117.958	Hyd. connector BW3v3 without b. valve	1
118.001	Wiring harness frame CTMcool BW2/BW3v3 assy.	1
118.007	Switching power supply set	1
118.008	Cover switching power	1
119.934	FEP pipe \varnothing 6/4 x 1000mm	1
122.156	Power unit BW3 w/o Commutator TCC	1
122.158	Valve layer TCC assy.	1
123.250	Frame BW3 CTM TCC	1
123.283	Drain piping BW3 CTM TCC assy.	1

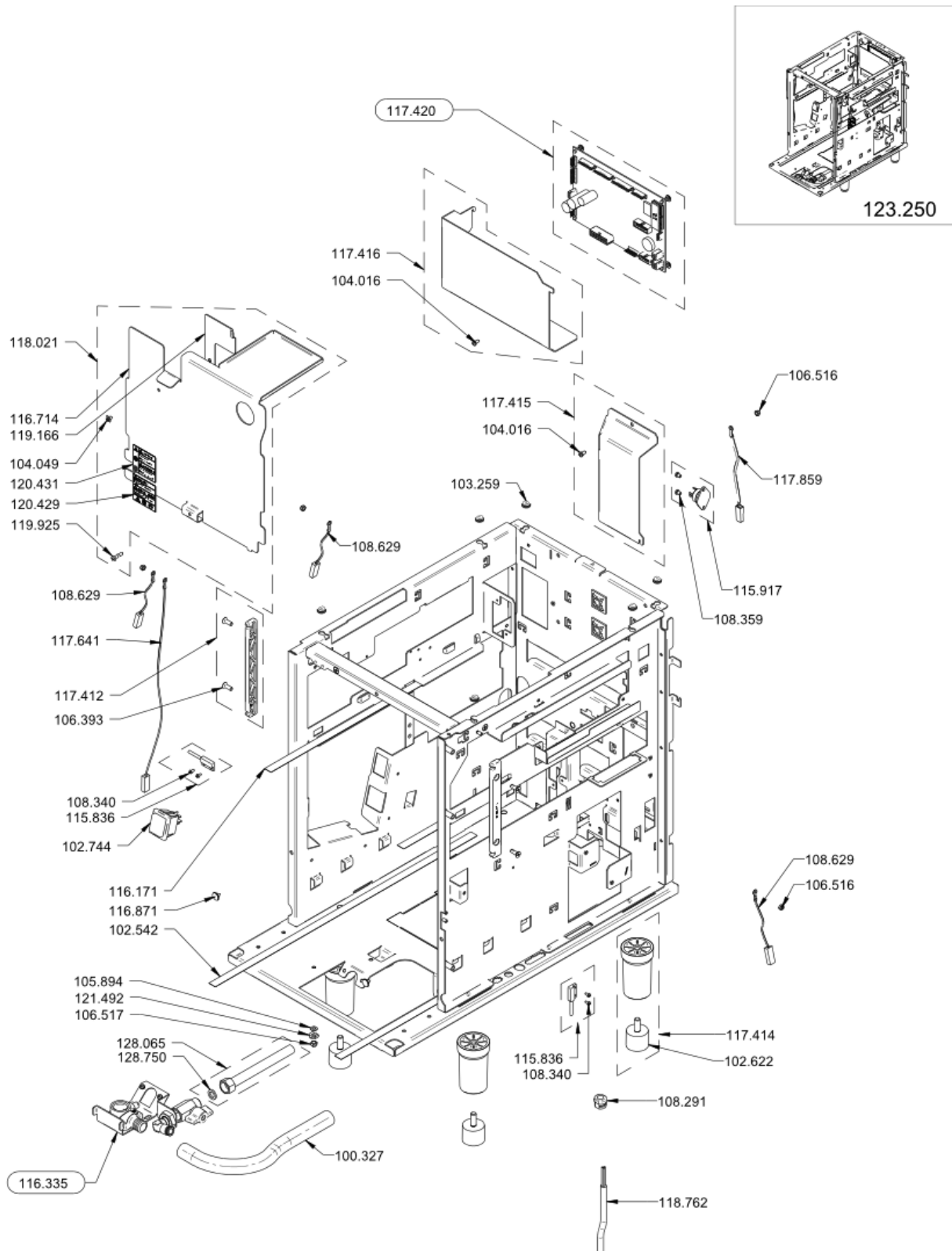
1.11 Frame BW3 CTM TCC assy.



1.11.1 Frame BW3 CTM TCC

Article no.	Description	Quantity
100.327	Drain pipe 2.5m	1
102.542	Slide tape 13x 500mm	2
102.622	Rundbuffer ø30x17/M8x20	1
102.744	Main power switch	1
103.259	Cable bushing ø11/8 x 5.5	6
104.016	Oval head Phillips combi screw M4x8	1
104.016	Oval head Phillips combi screw M4x8	1
104.049	Oval head screw M4x6 Phillips	1
105.894	Washer M5	1
106.393	Countersunk screw Phillips M5x14	2
106.516	Lock nut M4	4
106.517	Lock nut M5	1
108.291	Strain relief ø8.3-ø9.1	1
108.340	Cheese head screw Phillips M3x6	2
108.359	Socket flat head screw M4x6	2
108.629	Motion cable CT-MF5, 1,5m special	3
115.836	Reed switch with screws	2
115.917	Set Triac	1
116.171	Slide tape 13x 310mm	2
116.335	Water connection BW2/3 assy.	1
116.335	Water connection BW2/3 assy.	1
116.714	Protection hydr. Modul BW2/BW3	1
116.871	Puffer button ø12x1.8(10)	2
117.412	Command unit guide, assembly	2
117.414	Frame leg assy.	4
117.415	Protection sheet E-parts BW2/BW3	1
117.416	Cover CPU BW2/BW3 assy.	1
117.420	BWCO Control Board, assy.	1
117.641	Grounding cable 370mm BW2/BW3	1
117.859	Grounding cable 180mm	1
118.021	Protection set hydr. Modul BW2/3v3	1
119.166	Cover plate	1
119.925	Unloosable screw M4x16	1
120.429	Label "Electric shock hazard"	1
120.431	Label "Burn hazard"	1
121.492	Retaining washer M5	1
128.065	Reinf. water hose, coatad 3/8-3/8x2m	1
128.750	Seal for stainless steel braided pipe	2

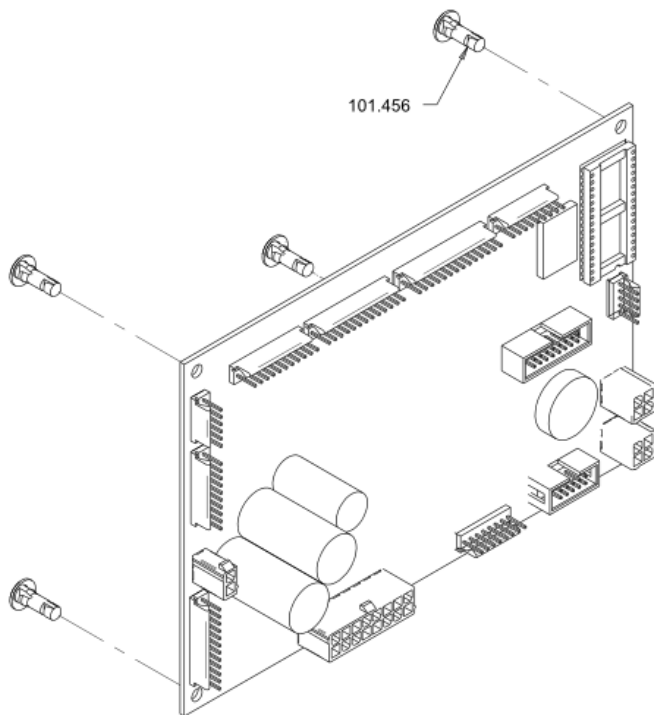
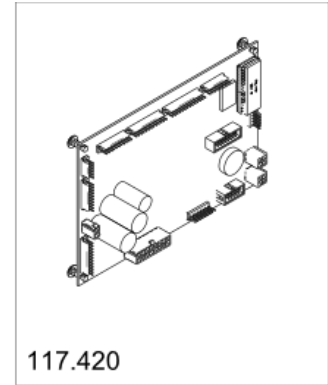
1.11.1 Frame BW3 CTM TCC



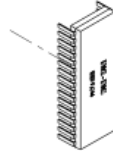
1.11.1.1 BWCO Control Board, assy.

Article no.	Description	Quantity
101.456	Deck support piece ø5.5x8mm	4

1.11.1.1 BWCO Control Board, assy.



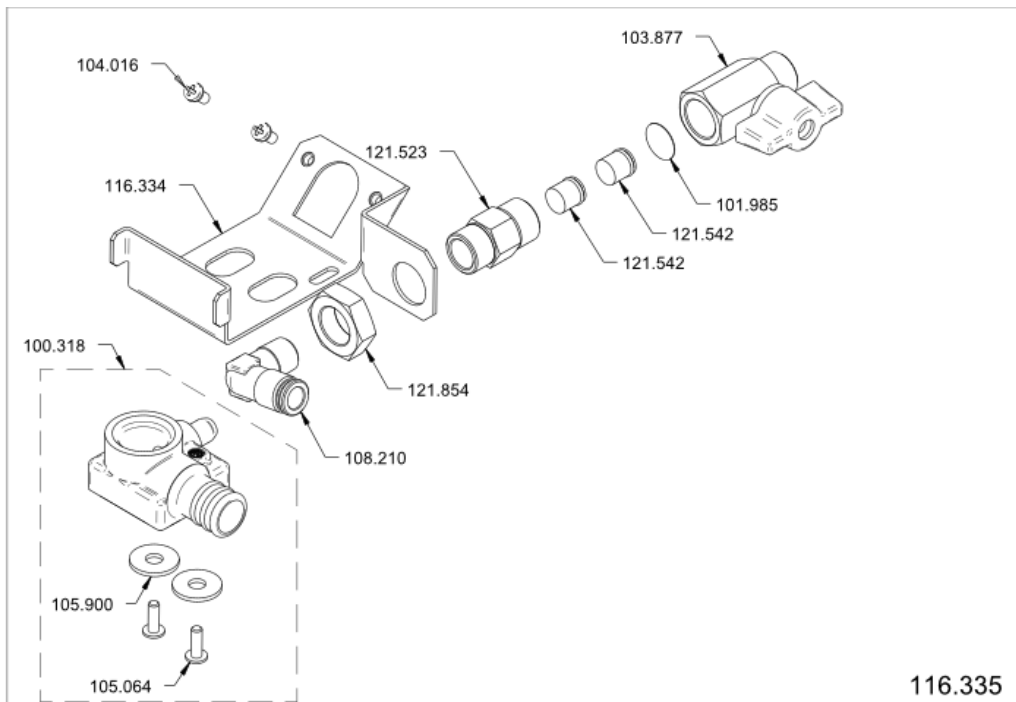
EPRO M not included.
For detailed information please go to
FOX2 Software Download
EPRO M and CF-Cards



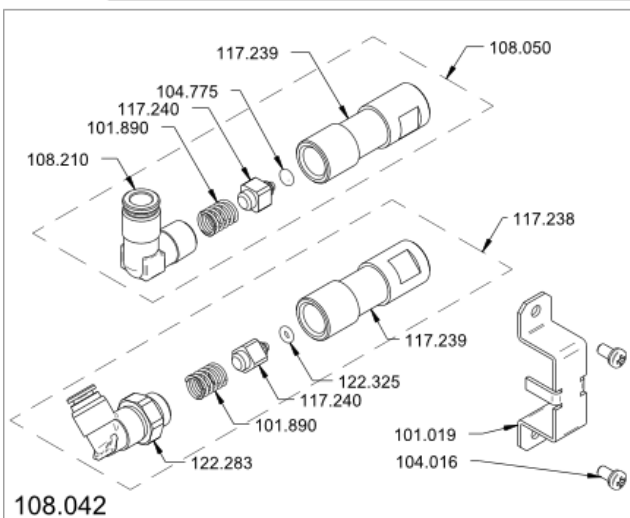
1.11.2 Water connection frame BW2/BW3 assy.

Article no.	Description	Quantity
100.318	Drain connection, assembly	1
101.019	Bracket BW2	1
101.890	Spring $\varnothing 9.5 \times 15$	1
101.890	Spring $\varnothing 9.5 \times 15$	1
101.985	Filter water 3/8"	1
103.877	Tap G3/8"	1
104.016	Oval head Phillips combi screw M4x8	2
104.016	Oval head Phillips combi screw M4x8	2
104.775	O-Ring 2.90x1.78 FKM	1
105.064	Oval head PT screw w. washer Phi KA40x12	2
105.900	Flat washer M6	2
108.050	Waterinlet Clip BW	1
108.210	Threaded elbow joint 8-1/4"	1
108.210	Threaded elbow joint 8-1/4"	1
116.334	Support drain conneion	1
117.238	Clip BW2/BW3 assy.	1
117.239	Connector Inox	1
117.239	Connector Inox	1
117.240	Valve PVDF	1
117.240	Valve PVDF	1
121.523	Reducer fitting 3/8x1/4 with back stop	1
121.542	RV-Patrone DW10	2
121.854	Lock nut M16x1 (0.5d)	1
122.283	Elbow connection 6-1/4 (milk)	1
122.325	O-Ring 2.90x1.78 EPDM	1

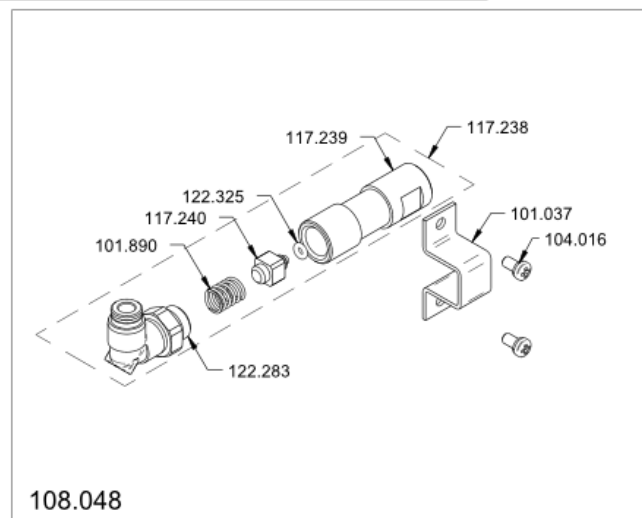
1.11.2 Water connection frame BW2/BW3 assy.



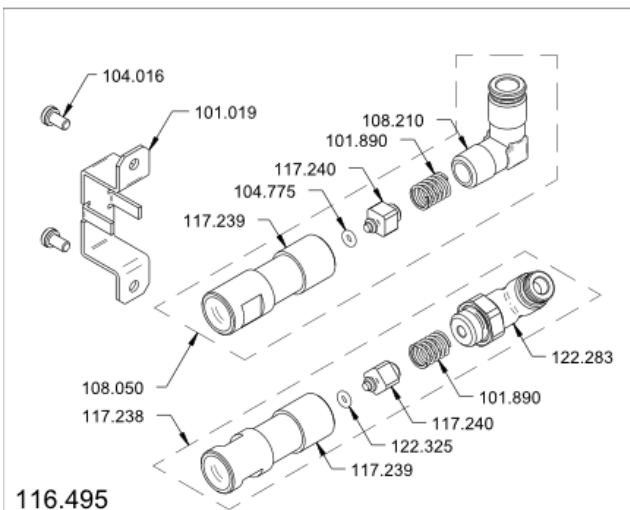
116.335



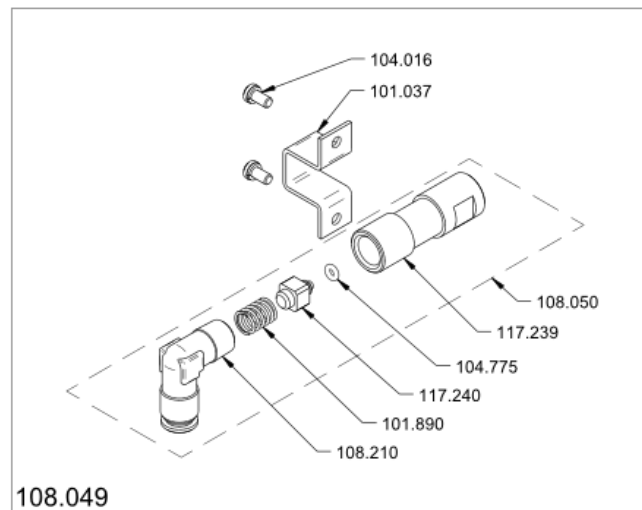
108.042



108.048



116.495

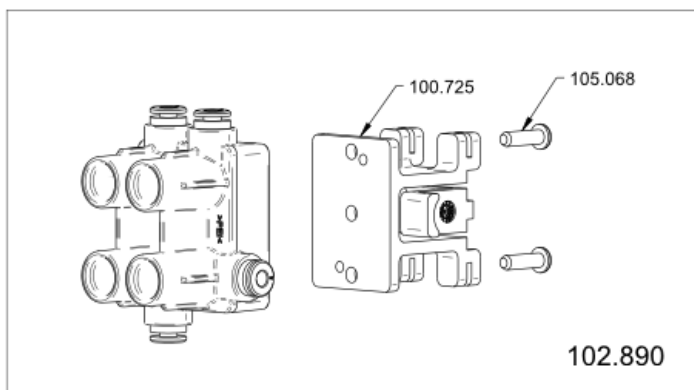
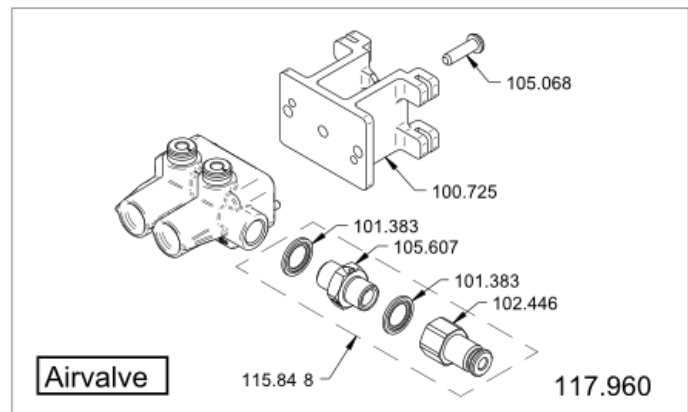
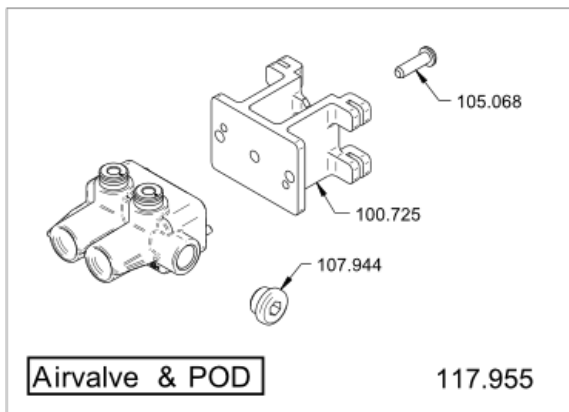
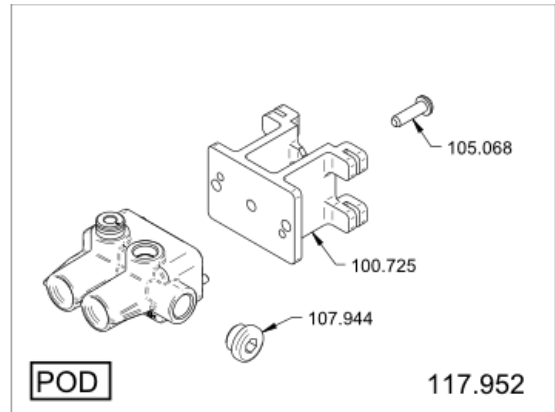
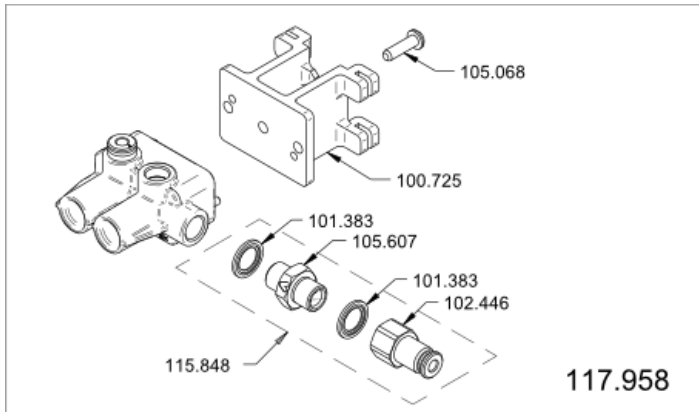


108.049

1.11.3 Hydraulic plug 4 line BW2/3 assy.

Article no.	Description	Quantity
100.725	Support plug connector housing	1
100.725	Support plug connector housing	1
101.383	Seal 1/8"	2
102.446	Straight fitting 4-1/8"	1
105.068	PT Phillips screw KA40x14	1
105.068	PT Phillips screw KA40x14	2
105.607	Valve check air valve block	1
115.848	Check valve G1/8 assy	1

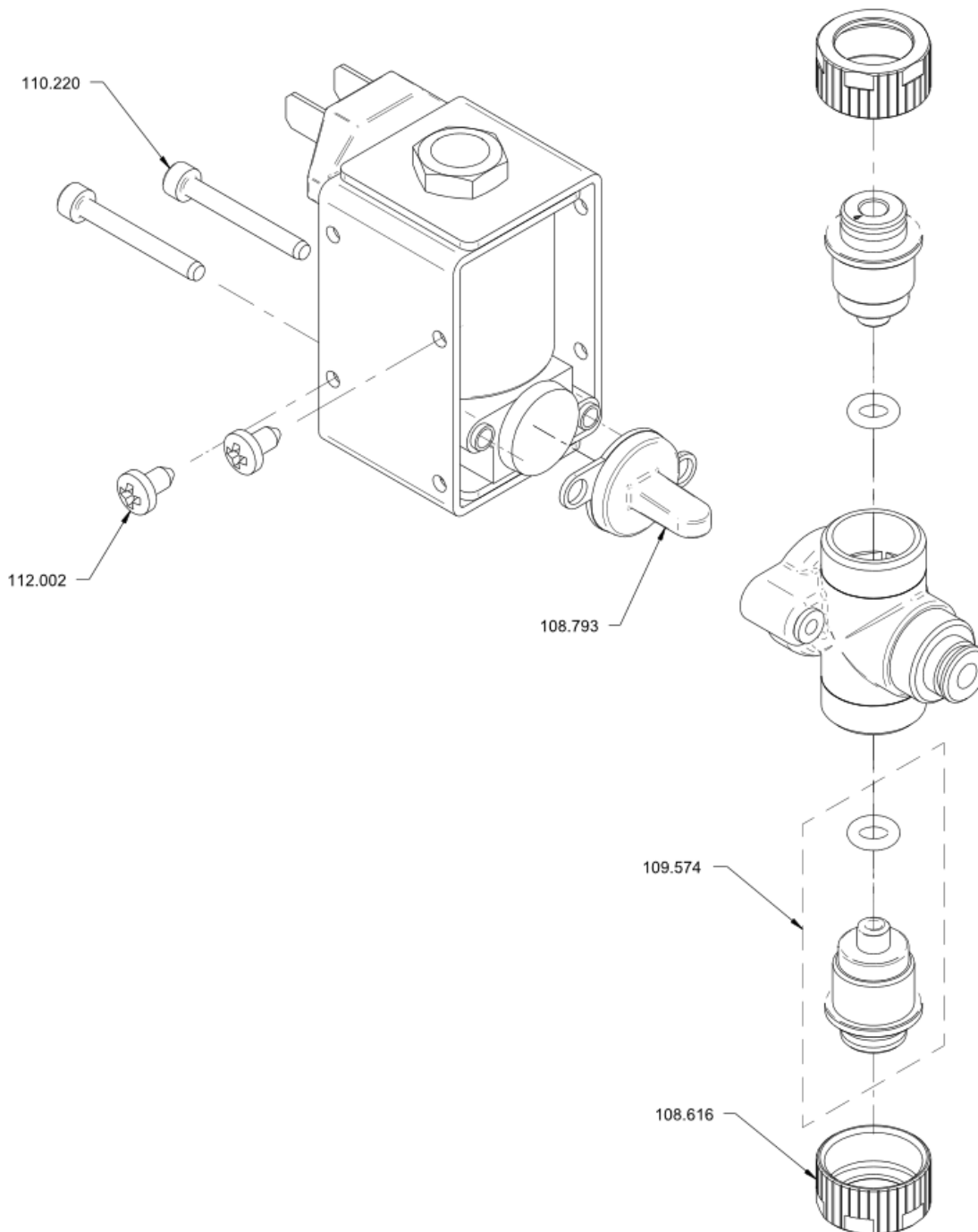
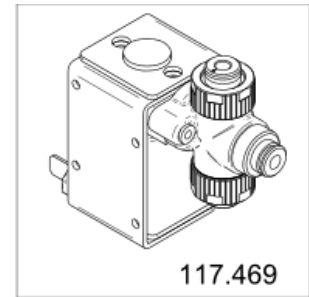
1.11.3 Hydraulic plug 4 line BW2/3 assy.



1.11.4 Diaphragm valve Hyd.Mod BW2v2/BW3

Article no.	Description	Quantity
108.616	Grooved nut diaphragm valve	2
108.793	Diaphragm	1
109.574	Insert Valve Magma ø4 with O-ring	2
110.220	Socket head screw M3x25	2
112.002	Phillips sheet screw ST 3.5x6.5	2

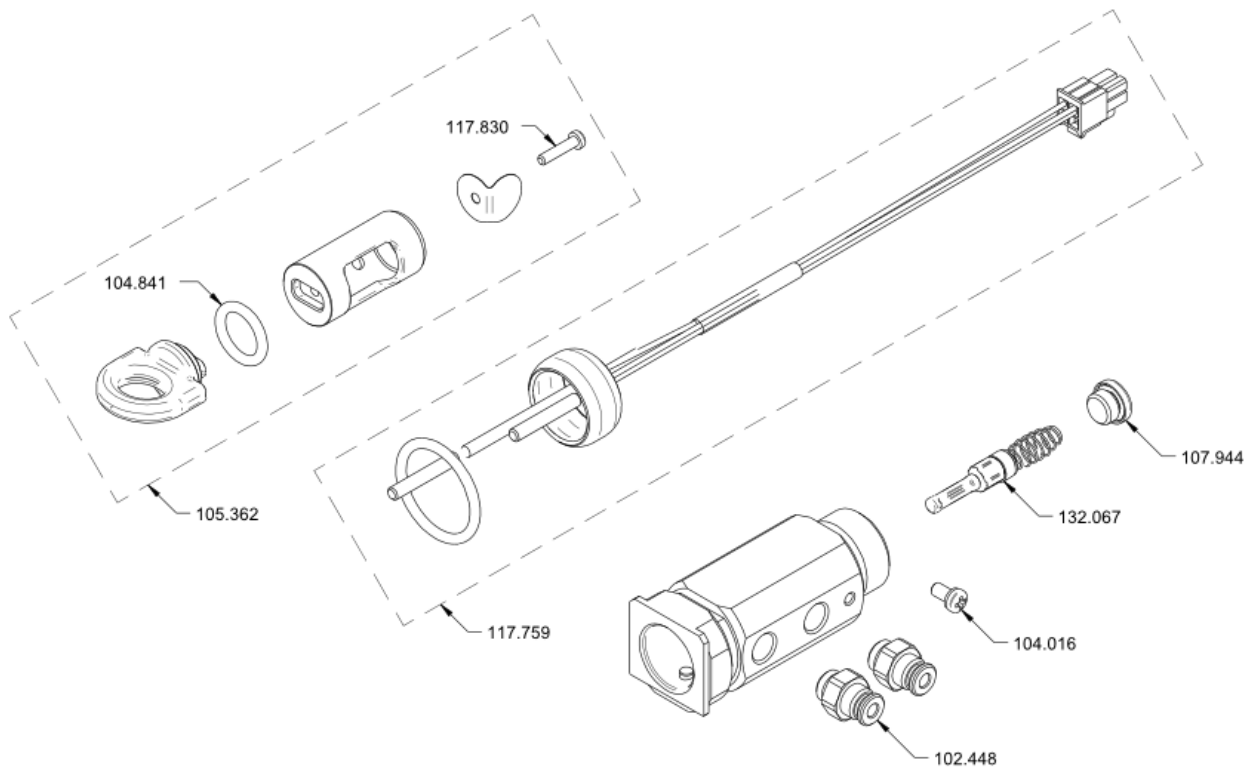
1.11.4 Diaphragm valve Hyd.Mod BW2v2/BW3



1.11.5 Cleaning system BW3 set

Article no.	Description	Quantity
102.448	Straight connection 4-1/8"	2
104.016	Oval head Phillips combi screw M4x8	1
104.841	O-Ring 14.00x3.00 FKM	1
105.362	Key cleaning assy.	1
107.944	Hexagon socket screw plug G1/8"	1
117.759	Reed set cleaning key	1
117.830	Delta PT-screw Torx 30x14	1
132.067	Piston cleaning tab detection blue assy.	1

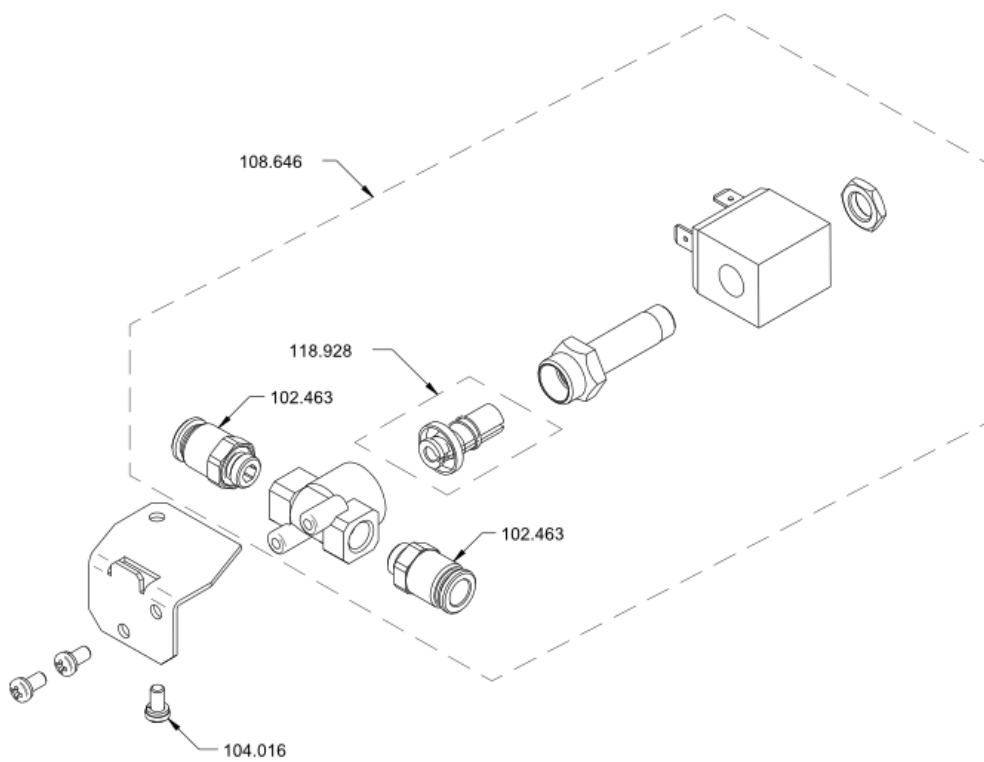
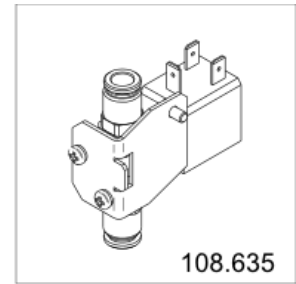
1.11.5 Cleaning system BW3 set



1.11.6 Solenoid valve 2/2 Water inlet assy.

Article no.	Description	Quantity
102.463	Jonction connector 951M-8/6-1/8 assy.	2
104.016	Oval head Phillips combi screw M4x8	2
104.016	Oval head Phillips combi screw M4x8	1
108.646	Solenoid valve 2/2	1
118.928	Plunger kit 2/2	1

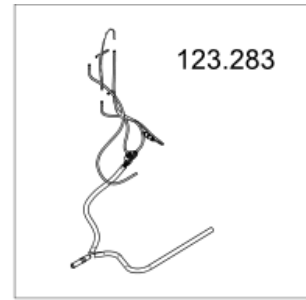
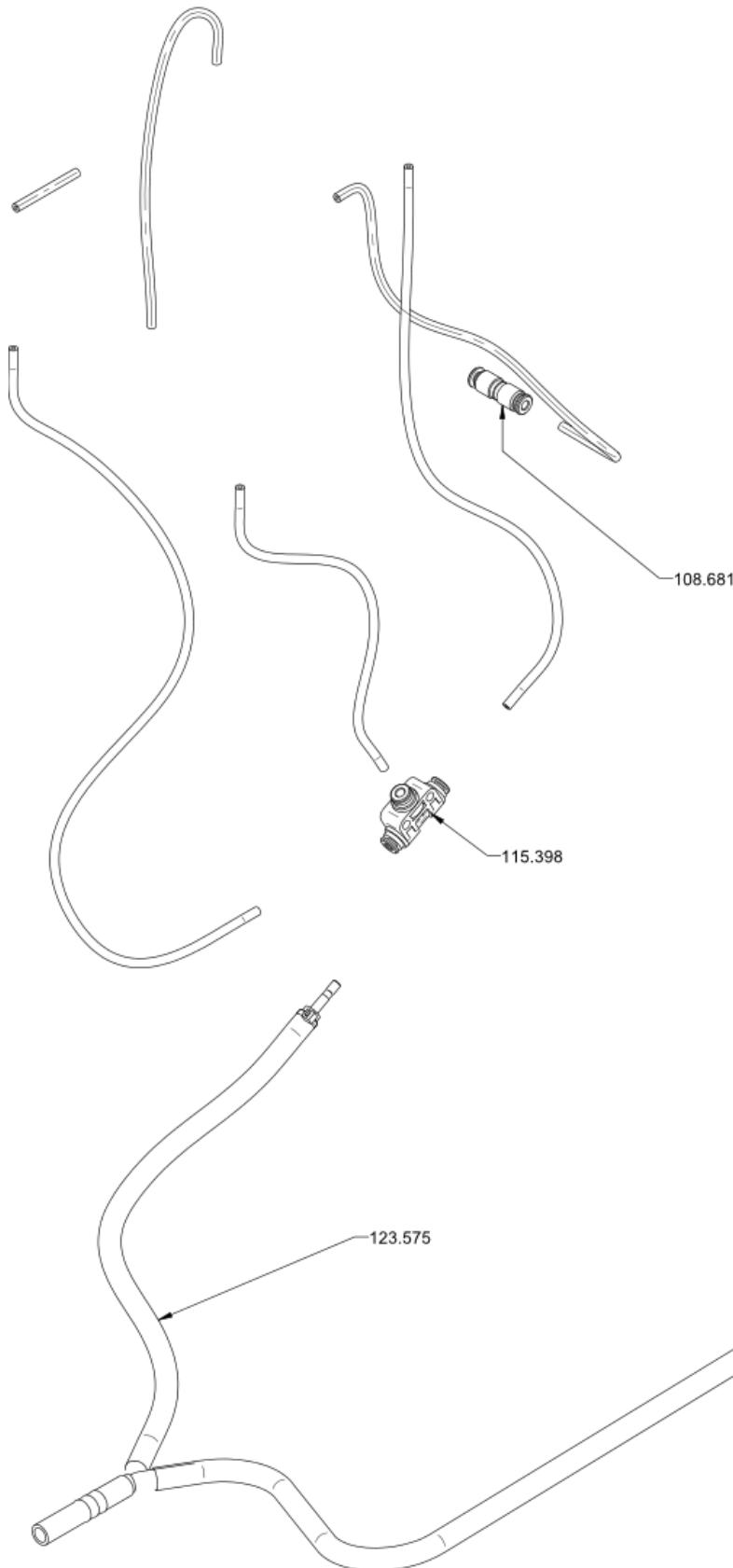
1.11.6 Solenoid valve 2/2 Water inlet assy.



1.11.7 Drain piping BW3 CTM TCC assy.

Article no.	Description	Quantity
108.681	Straight connector 4-4	1
115.398	T-connector 4-4	1
123.575	Drain piping CTM TCC	1

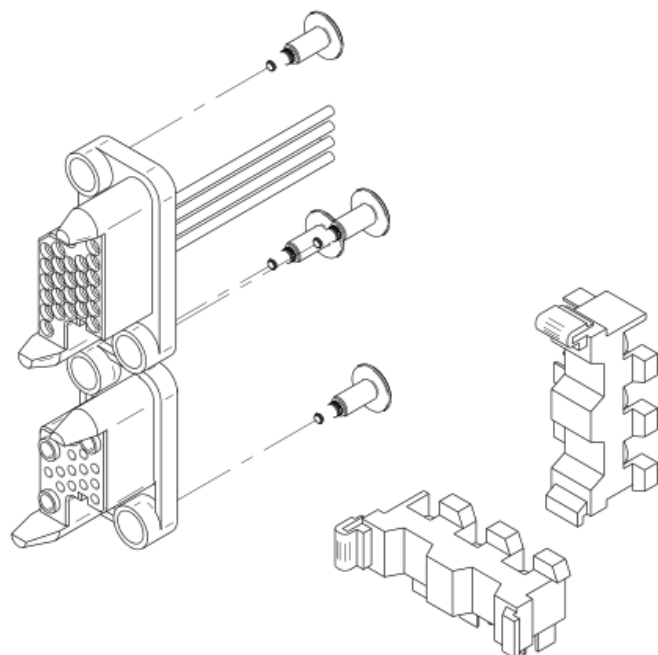
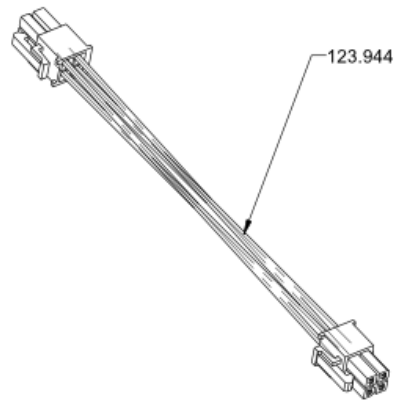
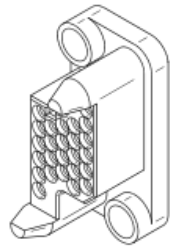
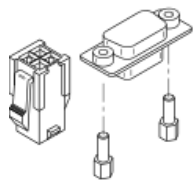
1.11.7 Drain piping BW3 CTM TCC assy.



1.11.8 Wiring harness frame CTMcool BW2/BW3v3 assy.

Article no.	Description	Quantity
116.470	SHEETracs screw Torx 40x20/8	6
123.944	Fox-wire BW3	1

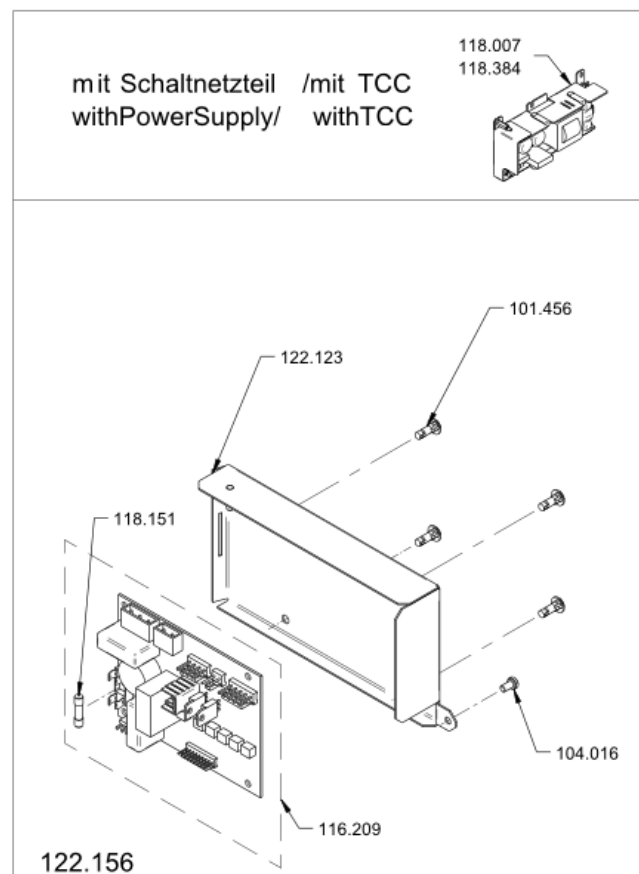
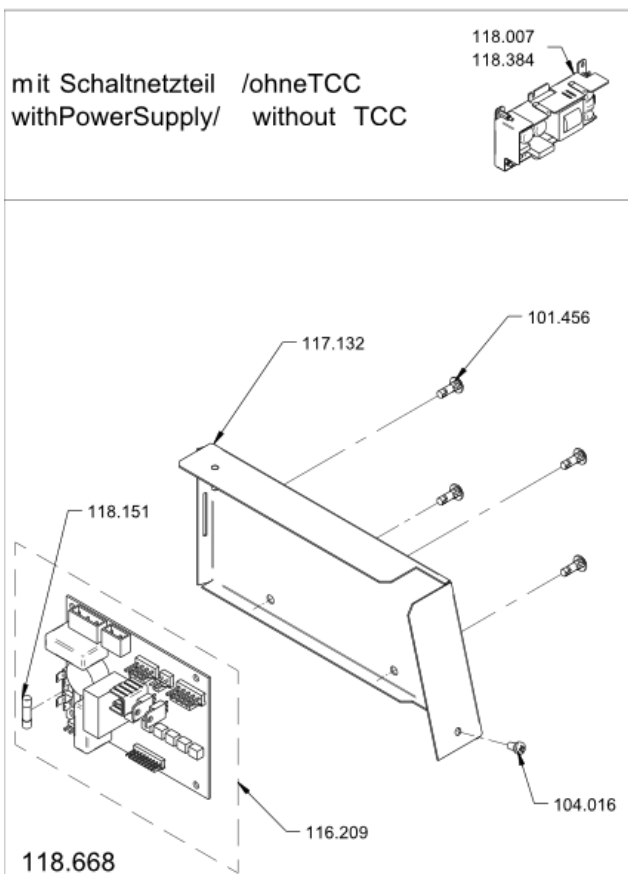
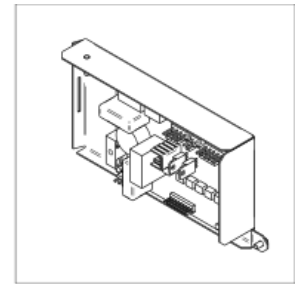
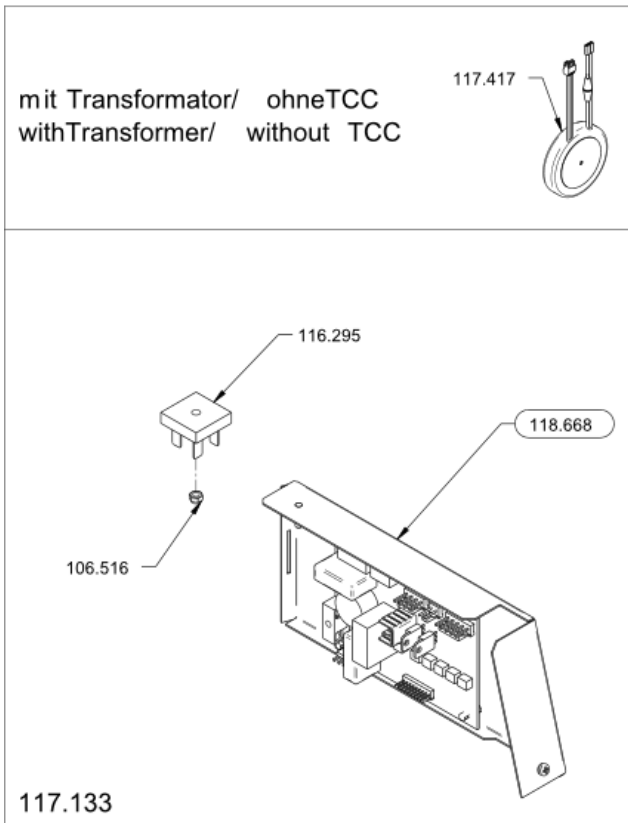
1.11.8 Wiring harness frame CTMcool BW2/BW3v3 assy.



1.11.9 Power unit BW3 w/o Commutator TCC

Article no.	Description	Quantity
101.456	Deck support piece ø5.5x8mm	4
116.209	BWCP BWCool Powerboard	1
118.151	Fuse T4A H250V 5x20mm	1
122.123	Support sheet power unit BW3 TCC	1

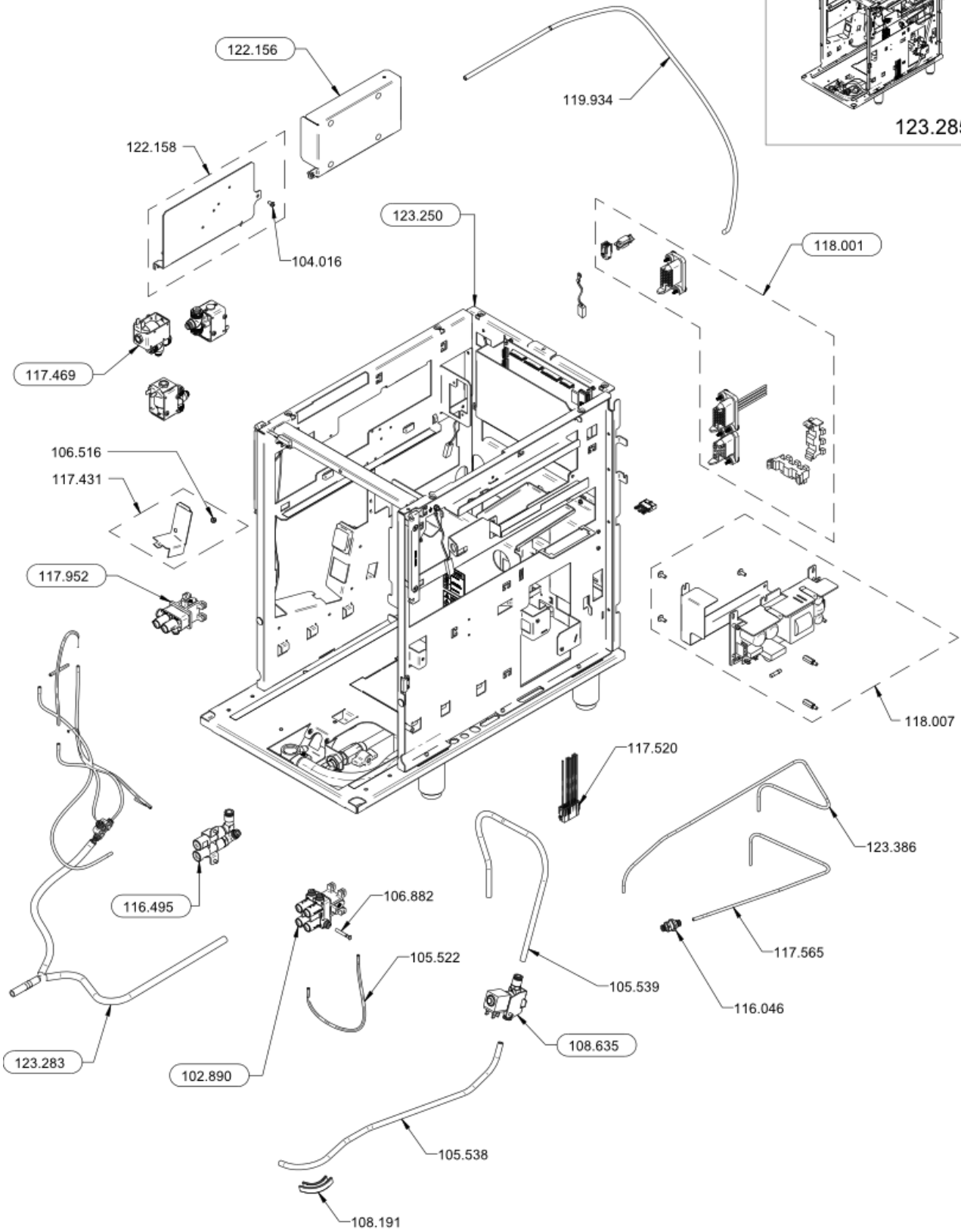
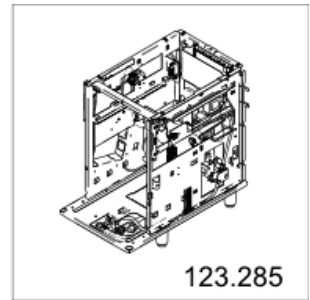
1.11.9 Power unit BW3 w/o Commutator TCC



1.12 Frame BW3 CTM TCC (POD) assy.

Article no.	Description	Quantity
102.890	Hydraulic plug 4 line BW2/3 assy.	1
104.016	Oval head Phillips combi screw M4x8	1
105.522	FEP pipe \varnothing 4/2 x 280mm	1
105.538	FEP pipe \varnothing 8/6 x 480mm	1
105.539	FEP pipe \varnothing 8/6 x 480mm	1
106.516	Lock nut M4	1
106.882	Peg \varnothing 4mm	1
108.191	Angle protection to steam pipe	1
116.046	Straight Schott connection 4-4	1
116.495	Water connection frame BW2/BW3 assy.	1
117.431	Set Sheetmetal cleaning key BW2	1
117.469	Diaphragm valve Hyd.Mod BW2v2/BW3	3
117.520	Connect. cable interior CTM-RF BW2/BW3	1
117.565	FEP pipe \varnothing 4/2 x 480mm	1
117.952	Hyd. connector BW2/3 without b. valve	1
118.001	Wiring harness frame CTMcool BW2/BW3v3 assy.	1
118.007	Switching power supply set	1
119.934	FEP pipe \varnothing 6/4 x 1000mm	1
122.156	Power unit BW3 w/o Commutator TCC	1
122.158	Valve layer TCC assy.	1
123.250	Frame BW3 CTM TCC	1
123.283	Drain piping BW3 CTM TCC assy.	1
123.386	FEP-pipe \varnothing 4/2 x 680mm	1

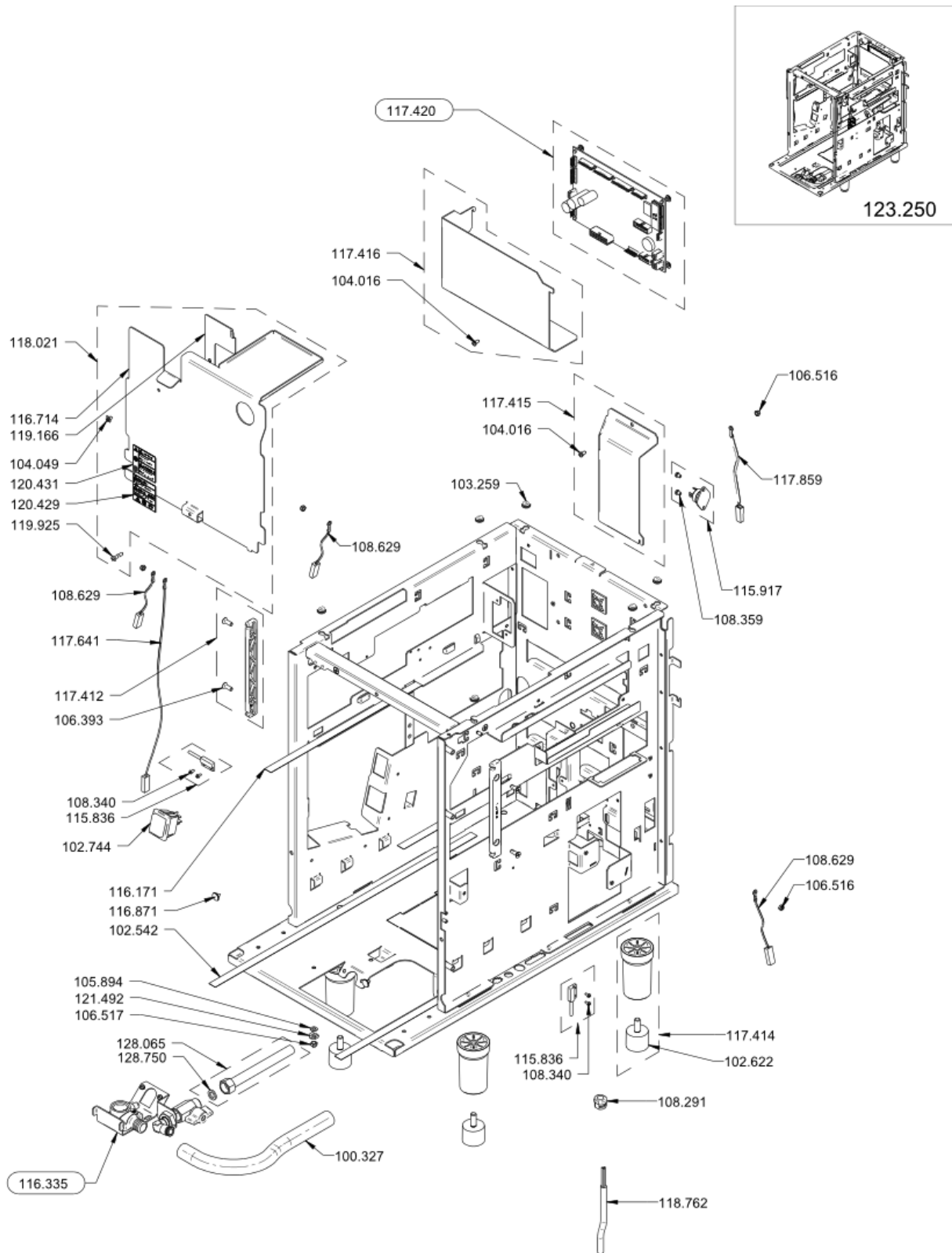
1.12 Frame BW3 CTM TCC (POD) assy.



1.12.1 Frame BW3 CTM TCC

Article no.	Description	Quantity
100.327	Drain pipe 2.5m	1
102.542	Slide tape 13x 500mm	2
102.622	Rundbuffer ø30x17/M8x20	1
102.744	Main power switch	1
103.259	Cable bushing ø11/8 x 5.5	6
104.016	Oval head Phillips combi screw M4x8	1
104.016	Oval head Phillips combi screw M4x8	1
104.049	Oval head screw M4x6 Phillips	1
105.894	Washer M5	1
106.393	Countersunk screw Phillips M5x14	2
106.516	Lock nut M4	4
106.517	Lock nut M5	1
108.291	Strain relief ø8.3-ø9.1	1
108.340	Cheese head screw Phillips M3x6	2
108.359	Socket flat head screw M4x6	2
108.629	Motion cable CT-MF5, 1,5m special	3
115.836	Reed switch with screws	2
115.917	Set Triac	1
116.171	Slide tape 13x 310mm	2
116.335	Water connection BW2/3 assy.	1
116.335	Water connection BW2/3 assy.	1
116.714	Protection hydr. Modul BW2/BW3	1
116.871	Puffer button ø12x1.8(10)	2
117.412	Command unit guide, assembly	2
117.414	Frame leg assy.	4
117.415	Protection sheet E-parts BW2/BW3	1
117.416	Cover CPU BW2/BW3 assy.	1
117.420	BWCO Control Board, assy.	1
117.641	Grounding cable 370mm BW2/BW3	1
117.859	Grounding cable 180mm	1
118.021	Protection set hydr. Modul BW2/3v3	1
119.166	Cover plate	1
119.925	Unloosable screw M4x16	1
120.429	Label "Electric shock hazard"	1
120.431	Label "Burn hazard"	1
121.492	Retaining washer M5	1
128.065	Reinf. water hose, coatad 3/8-3/8x2m	1
128.750	Seal for stainless steel braided pipe	2

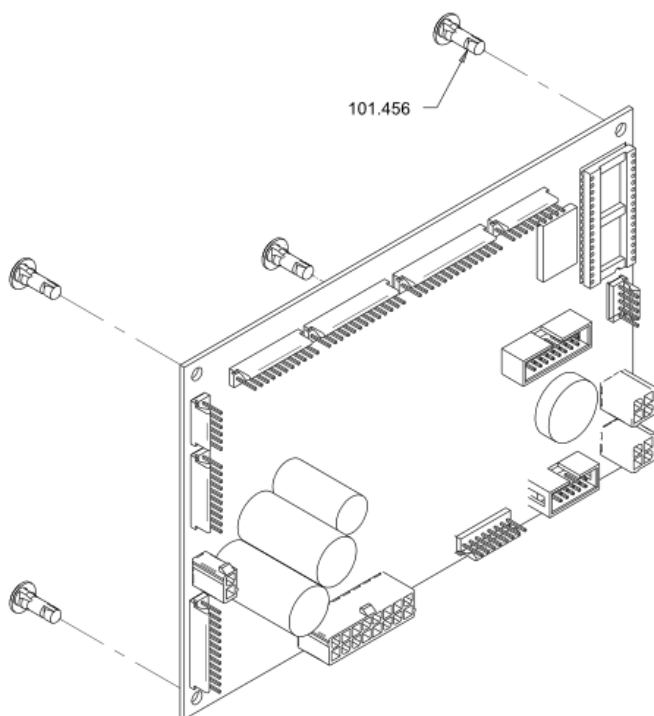
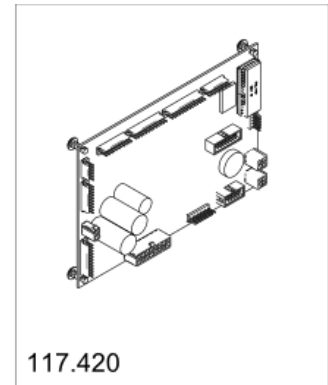
1.12.1 Frame BW3 CTM TCC



1.12.1.1 BWCO Control Board, assy.

Article no.	Description	Quantity
101.456	Deck support piece ø5.5x8mm	4

1.12.1.1 BWCO Control Board, assy.



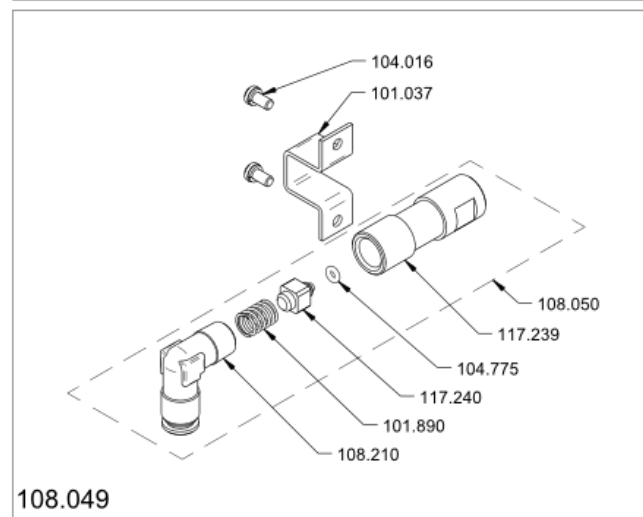
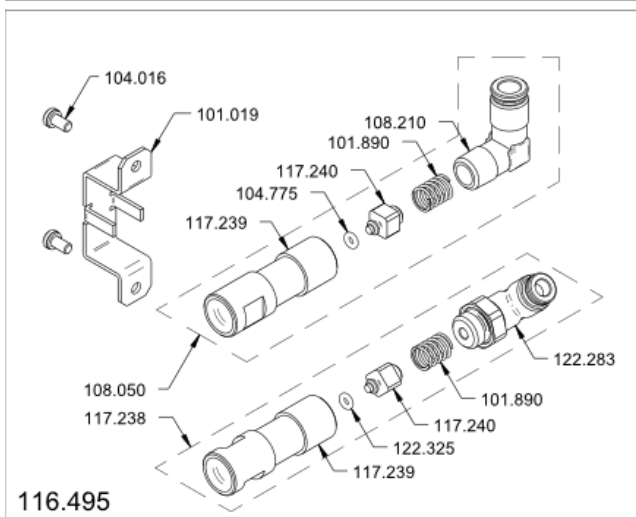
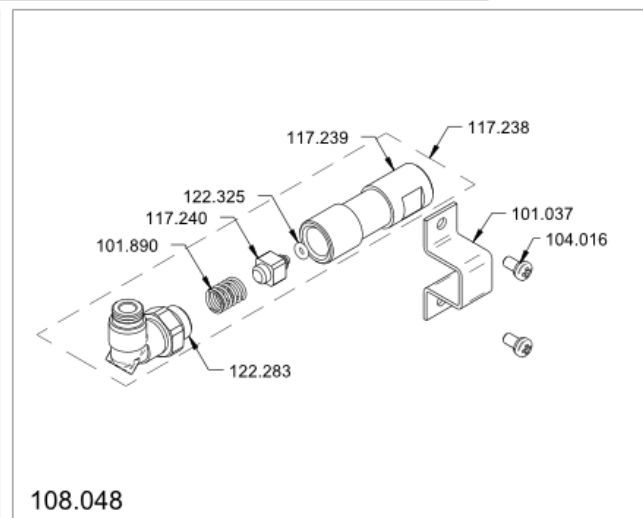
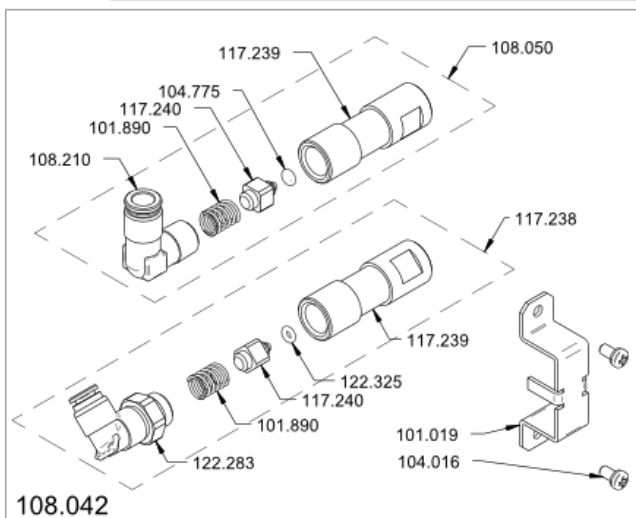
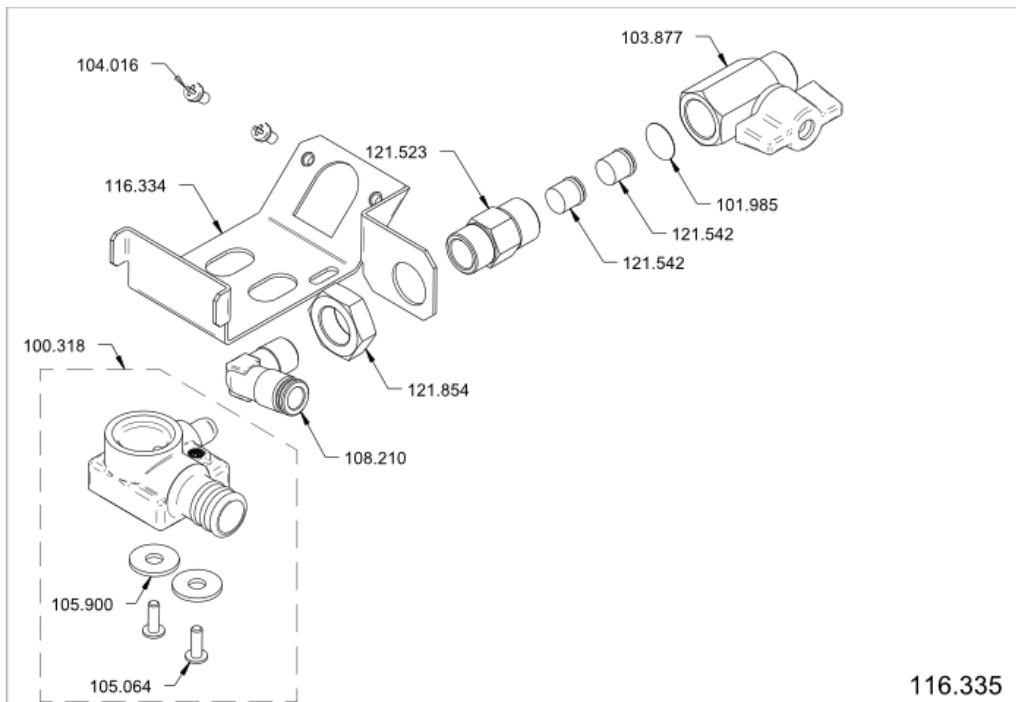
EPRO M not included.
For detailed information please go to
FOX2 Software Download
EPRO M and CF-Cards



1.12.2 Water connection frame BW2/BW3 assy.

Article no.	Description	Quantity
100.318	Drain connection, assembly	1
101.019	Bracket BW2	1
101.890	Spring $\varnothing 9.5 \times 15$	1
101.890	Spring $\varnothing 9.5 \times 15$	1
101.985	Filter water 3/8"	1
103.877	Tap G3/8"	1
104.016	Oval head Phillips combi screw M4x8	2
104.016	Oval head Phillips combi screw M4x8	2
104.775	O-Ring 2.90x1.78 FKM	1
105.064	Oval head PT screw w. washer Phi KA40x12	2
105.900	Flat washer M6	2
108.050	Waterinlet Clip BW	1
108.210	Threaded elbow joint 8-1/4"	1
108.210	Threaded elbow joint 8-1/4"	1
116.334	Support drain connection	1
117.238	Clip BW2/BW3 assy.	1
117.239	Connector Inox	1
117.239	Connector Inox	1
117.240	Valve PVDF	1
117.240	Valve PVDF	1
121.523	Reducer fitting 3/8x1/4 with back stop	1
121.542	RV-Patrone DW10	2
121.854	Lock nut M16x1 (0.5d)	1
122.283	Elbow connection 6-1/4 (milk)	1
122.325	O-Ring 2.90x1.78 EPDM	1

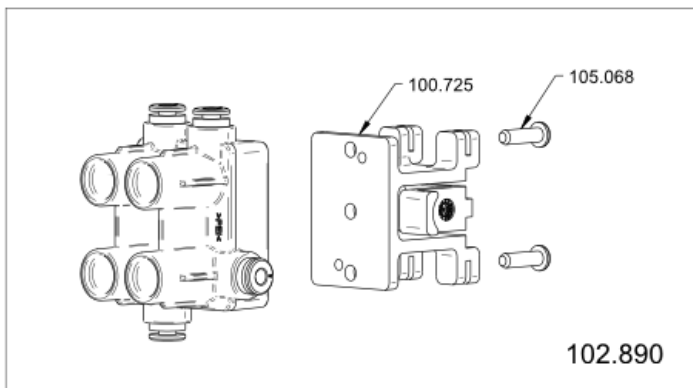
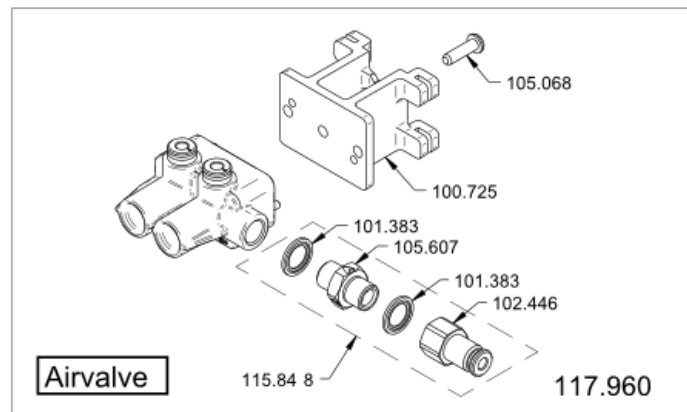
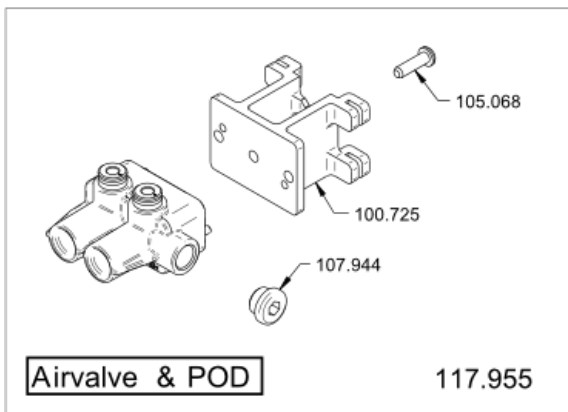
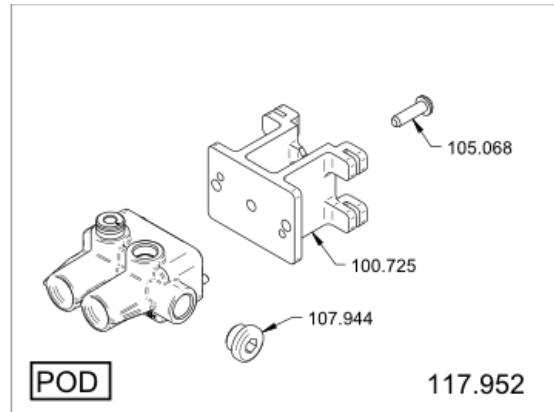
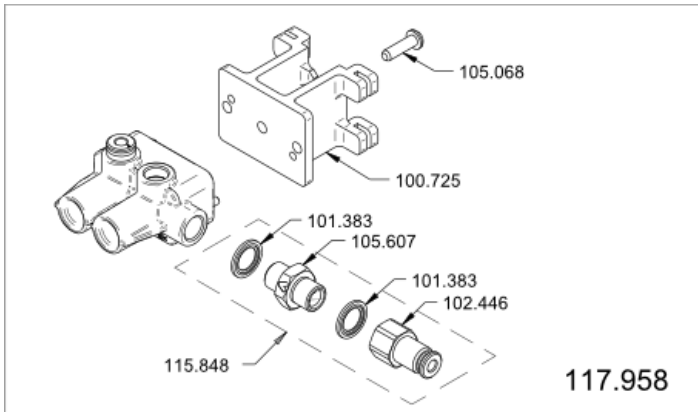
1.12.2 Water connection frame BW2/BW3 assy.



1.12.3 Hydraulic plug 4 line BW2/3 assy.

Article no.	Description	Quantity
100.725	Support plug connector housing	1
100.725	Support plug connector housing	1
105.068	PT Phillips screw KA40x14	1
105.068	PT Phillips screw KA40x14	2
107.944	Hexagon socket screw plug G1/8"	1

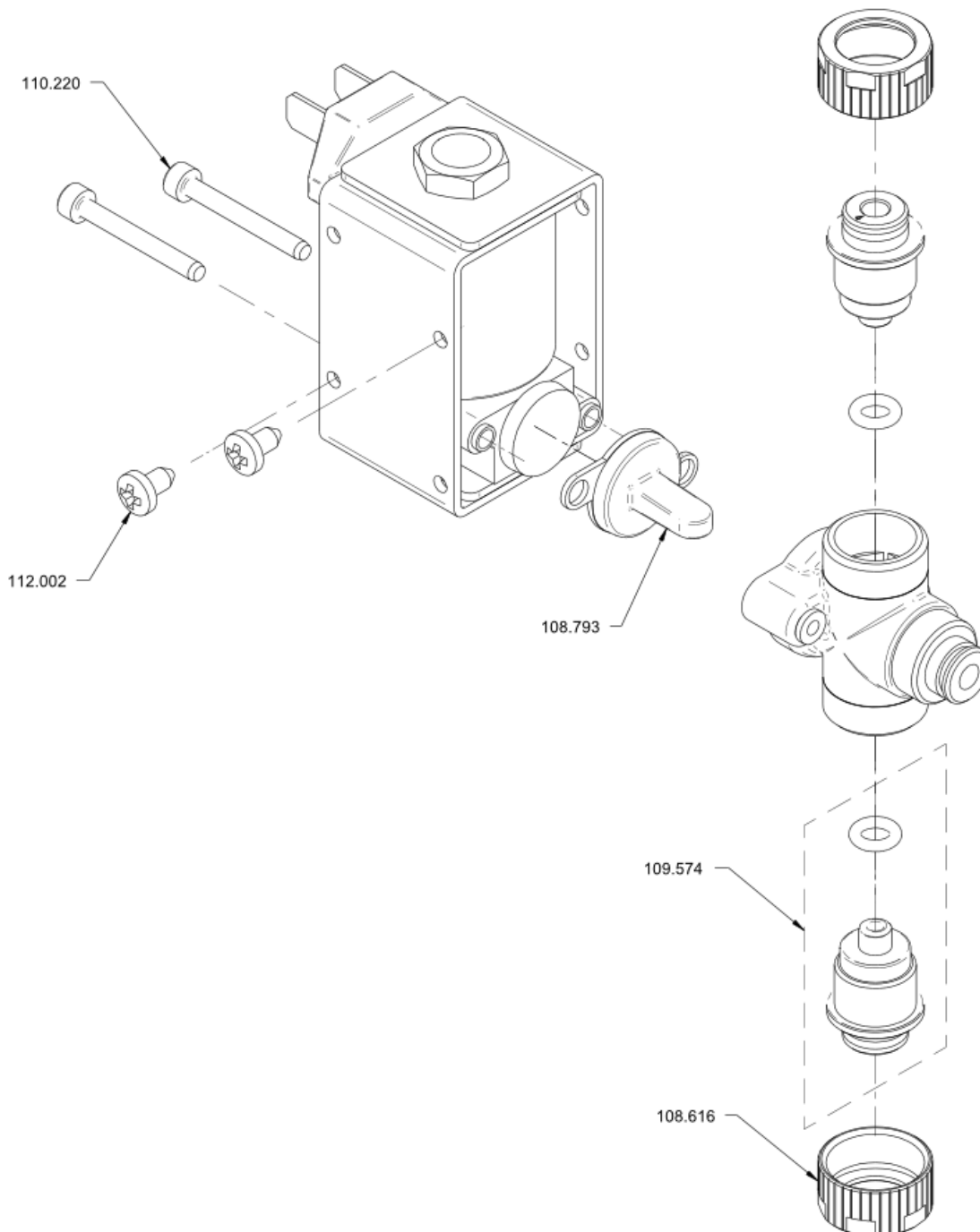
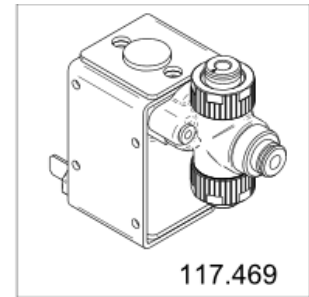
1.12.3 Hydraulic plug 4 line BW2/3 assy.



1.12.4 Diaphragm valve Hyd.Mod BW2v2/BW3

Article no.	Description	Quantity
108.616	Grooved nut diaphragm valve	2
108.793	Diaphragm	1
109.574	Insert Valve Magma ø4 with O-ring	2
110.220	Socket head screw M3x25	2
112.002	Phillips sheet screw ST 3.5x6.5	2

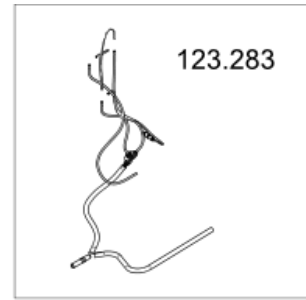
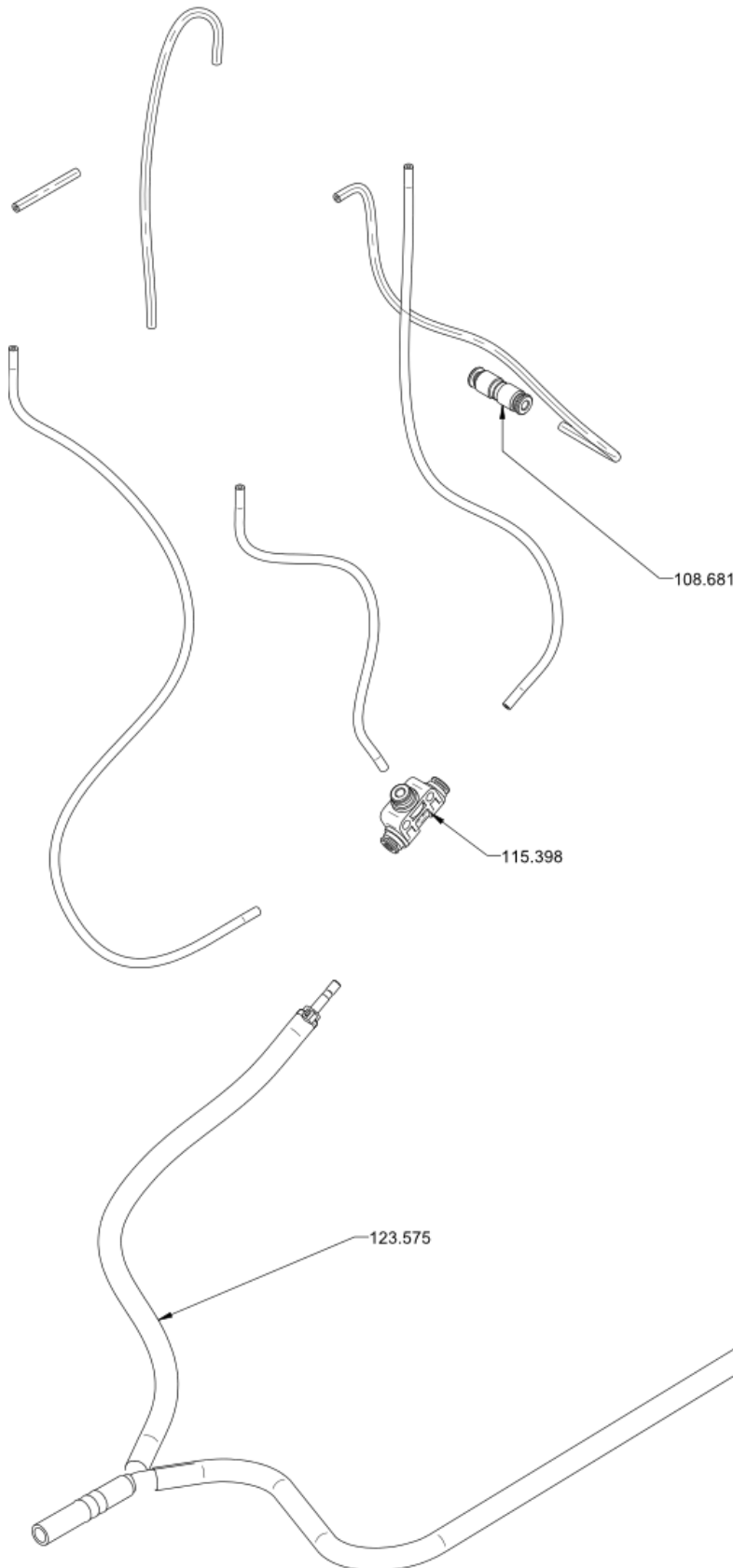
1.12.4 Diaphragm valve Hyd.Mod BW2v2/BW3



1.12.5 Drain piping BW3 CTM TCC assy.

Article no.	Description	Quantity
108.681	Straight connector 4-4	1
115.398	T-connector 4-4	1
123.575	Drain piping CTM TCC	1

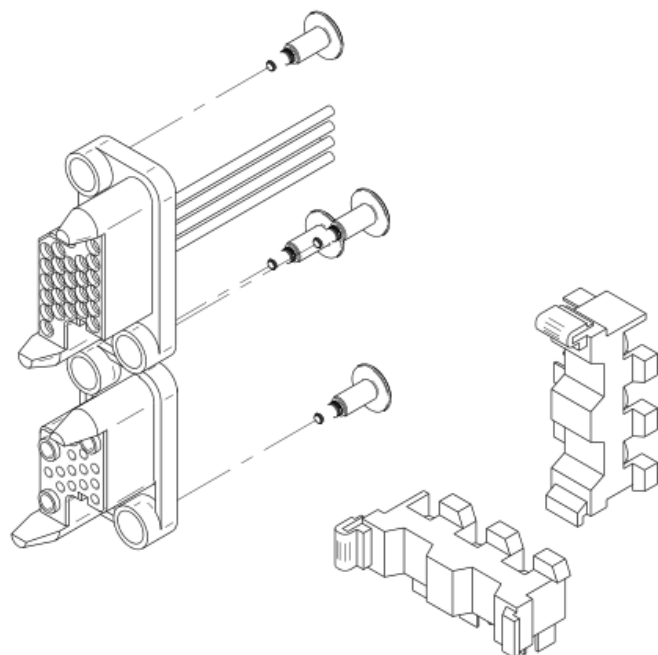
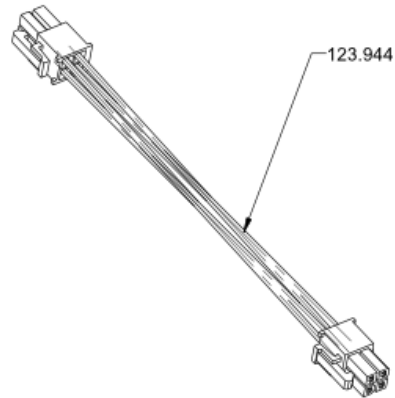
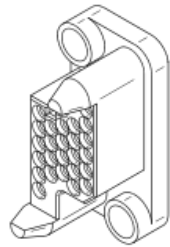
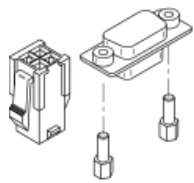
1.12.5 Drain piping BW3 CTM TCC assy.



1.12.6 Wiring harness frame CTMcool BW2/BW3v3 assy.

Article no.	Description	Quantity
116.470	SHEETracs screw Torx 40x20/8	6
123.944	Fox-wire BW3	1

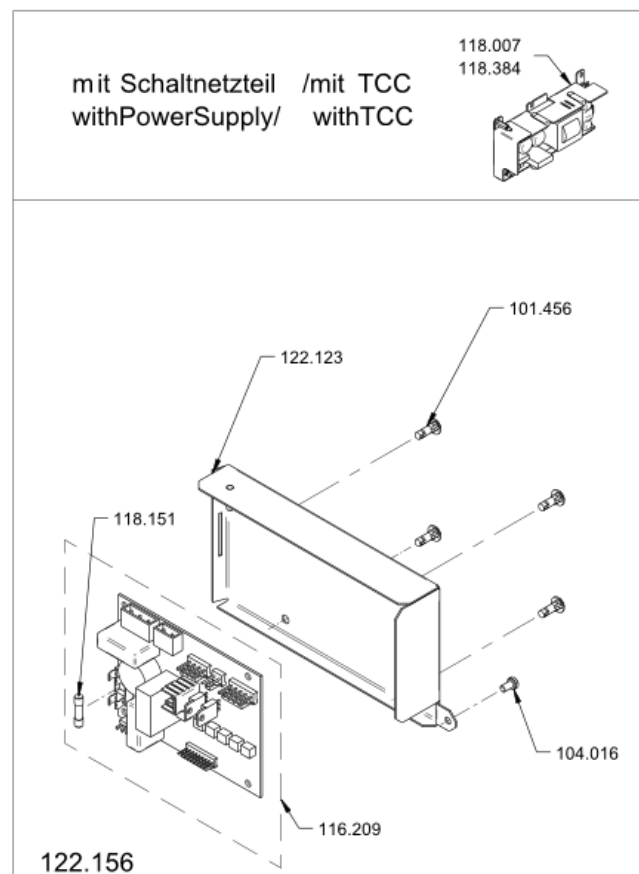
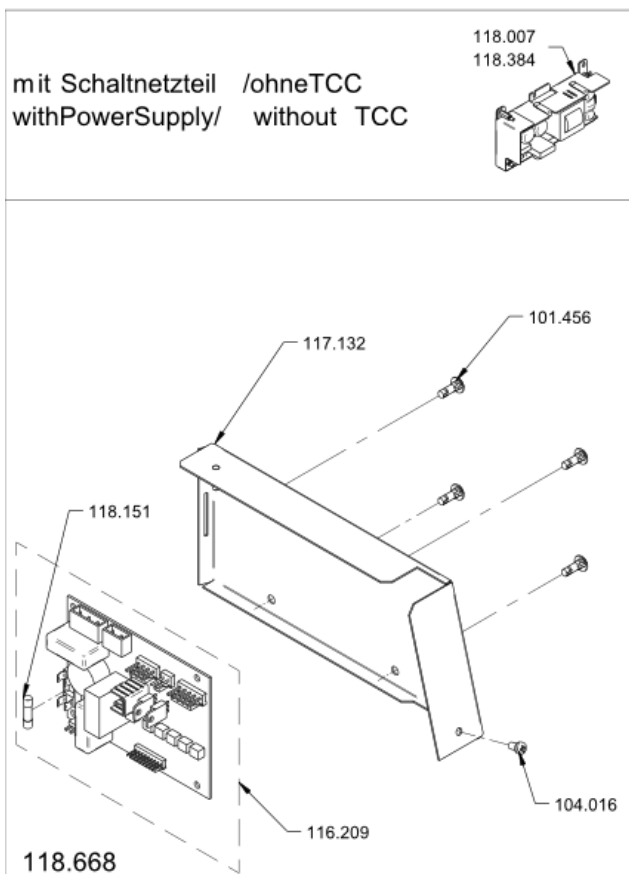
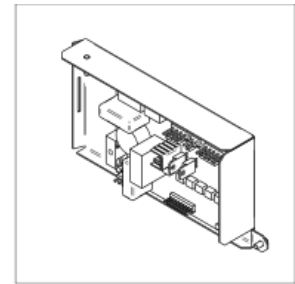
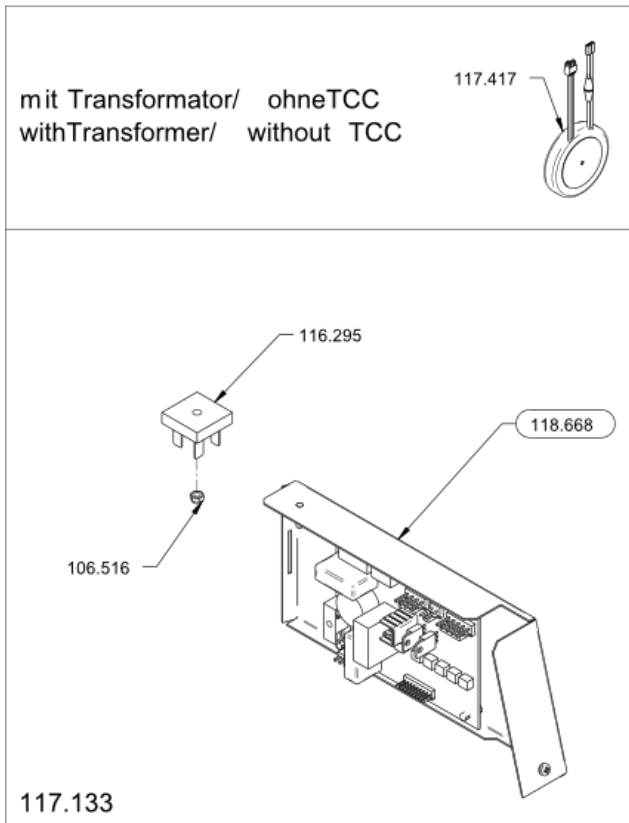
1.12.6 Wiring harness frame CTMcool BW2/BW3v3 assy.



1.12.7 Power unit BW3 w/o Commutator TCC

Article no.	Description	Quantity
101.456	Deck support piece ø5.5x8mm	4
116.209	BWCP BWCool Powerboard	1
118.151	Fuse T4A H250V 5x20mm	1
122.123	Support sheet power unit BW3 TCC	1

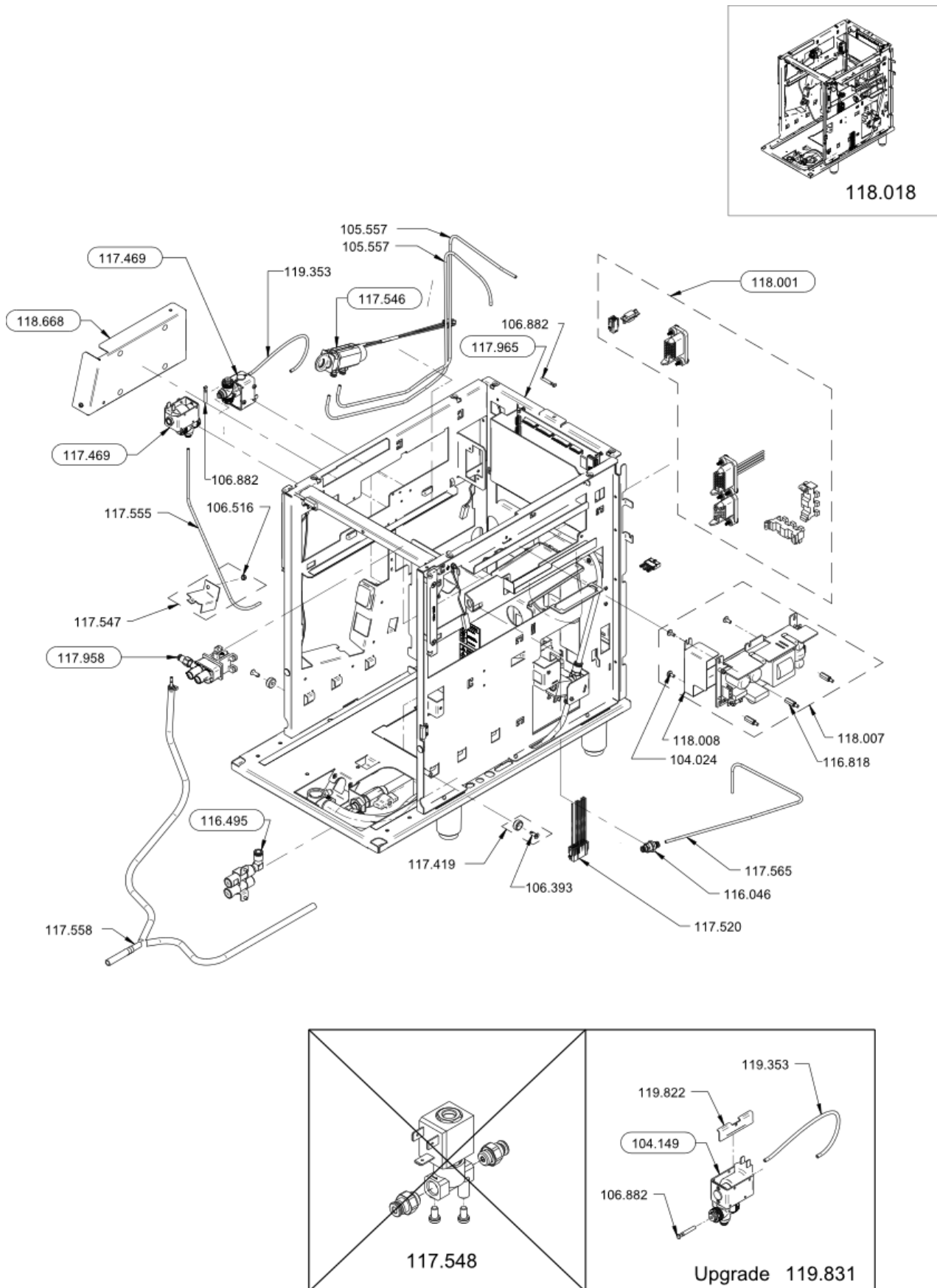
1.12.7 Power unit BW3 w/o Commutator TCC



1.13 Frame BW3v3 CTMcool assy.

Article no.	Description	Quantity
104.024	Lens head screw M04x10	3
104.149	3/2 way diaphragm valve (ø4) assy.	1
105.557	FEP pipe ø4/2 x 680mm	2
106.393	Countersunk screw Phillips M5x14	1
106.516	Lock nut M4	1
106.882	Peg ø4mm	1
106.882	Peg ø4mm	2
116.046	Straight Schott connection 4-4	1
116.495	Water connection frame BW2/BW3 assy.	1
116.818	Spacer MF M4x18	3
117.419	Set guiding plates	2
117.469	Diaphragm valve Hyd.Mod BW2v2/BW3	2
117.520	Connect. cable interior CTM-RF BW2/BW3	1
117.546	Cleaning system BW3 set	1
117.547	Sheetmetal cleaning key BW3 assy.	1
117.555	FEP pipe ø4/2 x 555mm	1
117.558	Drain Piping BW cool assy.	1
117.565	FEP pipe ø4/2 x 480mm	1
117.958	Hyd. connector BW3v3 without b. valve	1
117.965	Frame CT assy, BW2/BW3v3	1
118.001	Wiring harness frame CTMcool BW2/BW3v3 assy.	1
118.007	Switching power supply set	1
118.008	Cover switching power	1
118.668	Power unit BW2/BW3 w/o Commutator	1
119.353	FEP pipe ø4/2 x 250mm	1
119.353	FEP pipe ø4/2 x 250mm	1
119.822	Holding sheet to Diaphragm valve	1
119.831	Diaphragm valve change kit	1

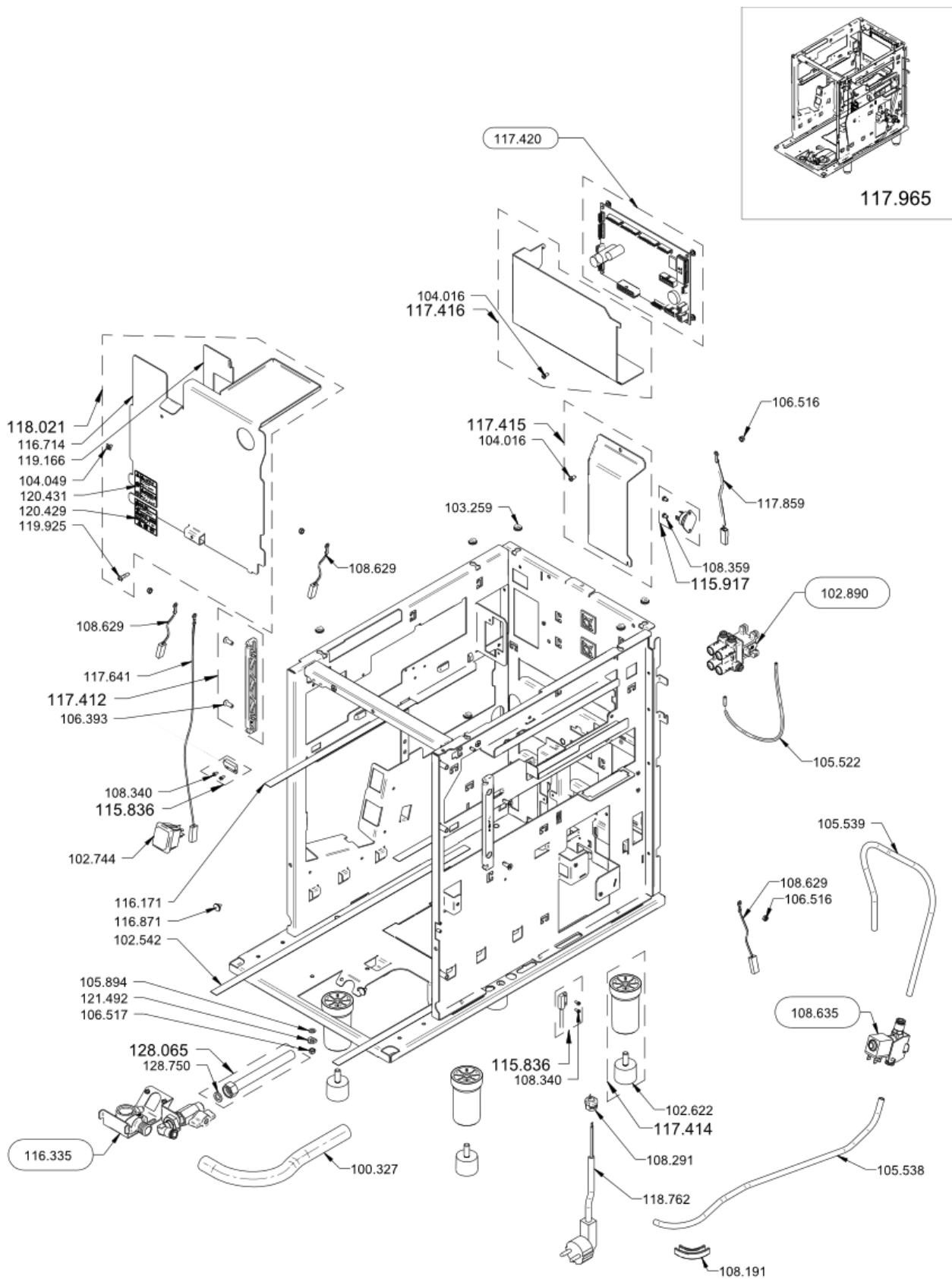
1.13 Frame BW3v3 CTMcool assy.



1.13.1 Frame CT assy, BW2/BW3v3

Article no.	Description	Quantity
100.327	Drain pipe 2.5m	1
102.542	Slide tape 13x 500mm	2
102.622	Rundbuffer ø30x17/M8x20	1
102.744	Main power switch	1
102.890	Hydraulic plug 4 line BW2/3 assy.	1
103.259	Cable bushing ø11/8 x 5.5	6
104.016	Oval head Phillips combi screw M4x8	1
104.049	Oval head screw M4x6 Phillips	1
105.522	FEP pipe ø4/2 x 280mm	1
105.538	FEP pipe ø8/6 x 480mm	1
105.539	FEP pipe ø8/6 x 480mm	1
105.894	Washer M5	1
106.393	Countersunk screw Phillips M5x14	2
106.516	Lock nut M4	4
106.517	Lock nut M5	1
108.191	Angle protection to steam pipe	1
108.291	Strain relief ø8.3-ø9.1	1
108.340	Cheese head screw Phillips M3x6	2
108.359	Socket flat head screw M4x6	2
108.629	Motion cable CT-MF5, 1,5m special	3
108.635	Solenoid valve 2/2 Water inlet assy.	1
115.836	Reed switch with screws	2
115.917	Set Triac	1
116.171	Slide tape 13x 310mm	2
116.335	Water connection BW2/3 assy.	1
116.714	Protection hydr. Modul BW2/BW3	1
116.871	Puffer button ø12x1.8(10)	2
117.412	Command unit guide, assembly	2
117.414	Frame leg assy.	4
117.415	Protection sheet E-parts BW2/BW3	1
117.416	Cover CPU BW2/BW3 assy.	1
117.420	BWCO Control Board, assy.	1
117.641	Grounding cable 370mm BW2/BW3	1
117.859	Grounding cable 180mm	1
118.021	Protection set hydr. Modul BW2/3v3	1
119.166	Cover plate	1
119.925	Unloosable screw M4x16	1
120.429	Label "Electric shock hazard"	1
121.492	Retaining washer M5	1
128.065	Reinf. water hose, coatad 3/8-3/8x2m	1

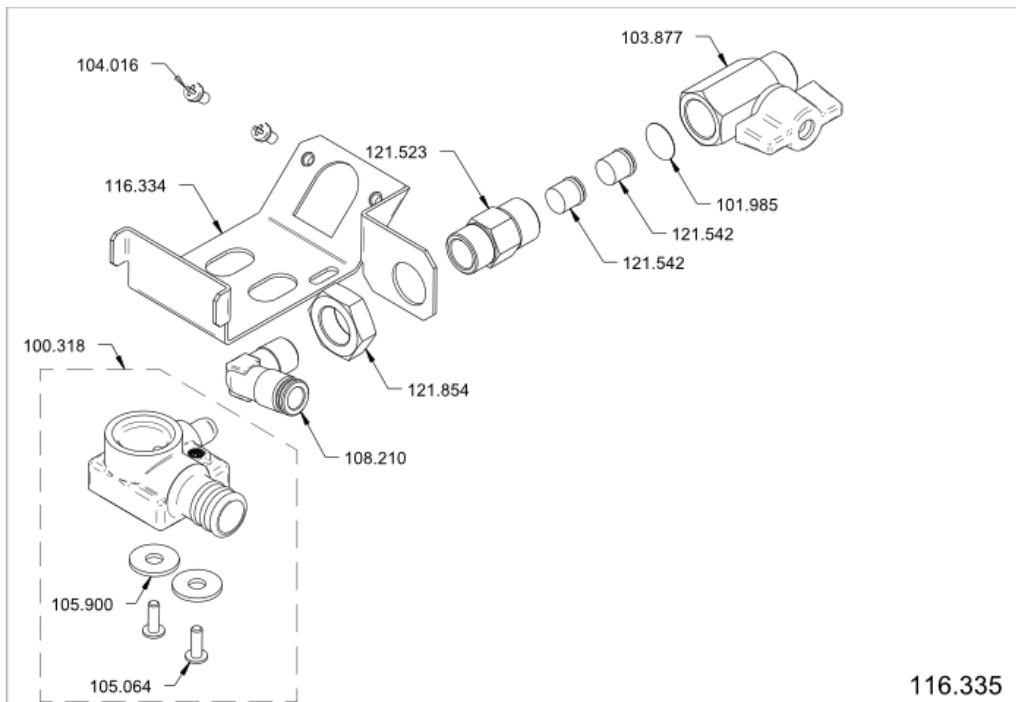
1.13.1 Frame CT assy, BW2/BW3v3



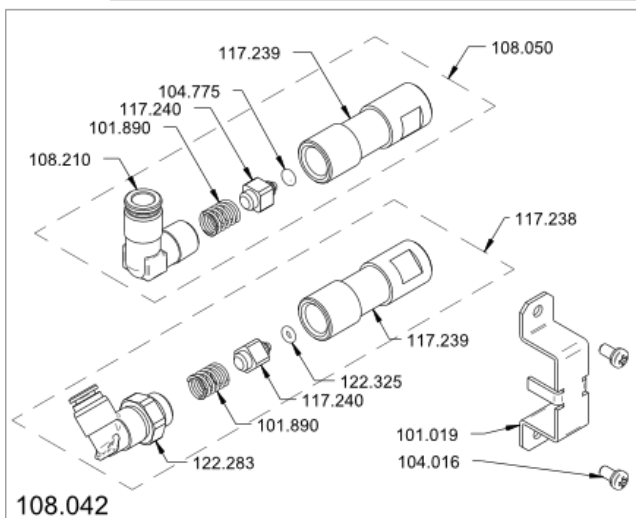
1.13.1.1 Water connection BW2/3 assy.

Article no.	Description	Quantity
100.318	Drain connection, assembly	1
101.019	Bracket BW2	1
101.890	Spring $\varnothing 9.5 \times 15$	1
101.890	Spring $\varnothing 9.5 \times 15$	1
101.985	Filter water 3/8"	1
103.877	Tap G3/8"	1
104.016	Oval head Phillips combi screw M4x8	2
104.016	Oval head Phillips combi screw M4x8	2
104.775	O-Ring 2.90x1.78 FKM	1
105.064	Oval head PT screw w. washer Phi KA40x12	2
105.900	Flat washer M6	2
108.050	Waterinlet Clip BW	1
108.210	Threaded elbow joint 8-1/4"	1
108.210	Threaded elbow joint 8-1/4"	1
116.334	Support drain conneion	1
117.238	Clip BW2/BW3 assy.	1
117.239	Connector Inox	1
117.239	Connector Inox	1
117.240	Valve PVDF	1
117.240	Valve PVDF	1
121.523	Reducer fitting 3/8x1/4 with back stop	1
121.542	RV-Patrone DW10	2
121.854	Lock nut M16x1 (0.5d)	1
122.283	Elbow connection 6-1/4 (milk)	1
122.325	O-Ring 2.90x1.78 EPDM	1

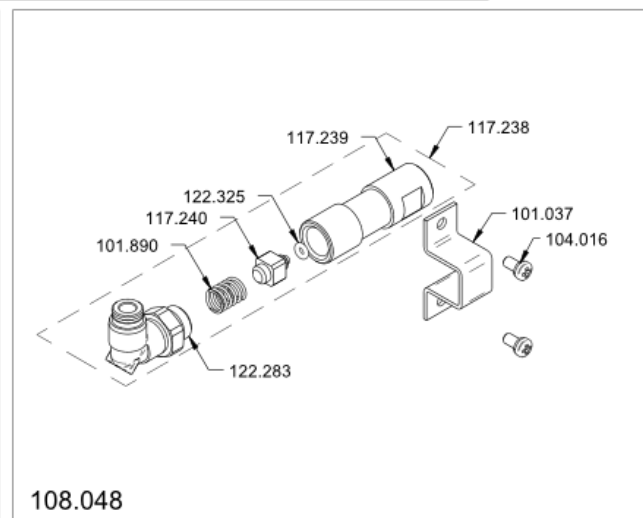
1.13.1.1 Water connection BW2/3 assy.



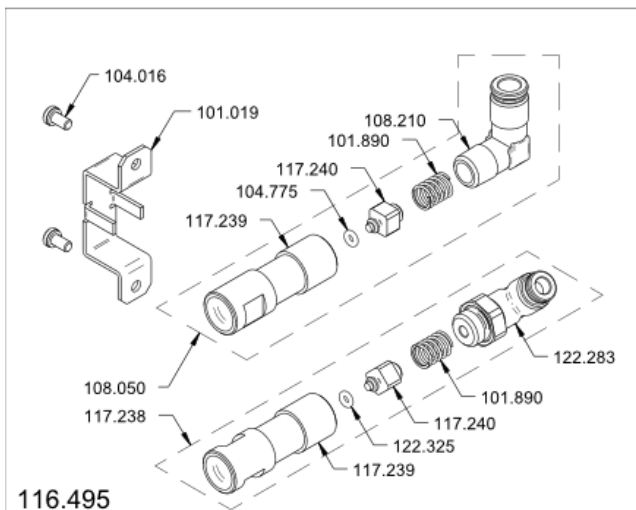
116.335



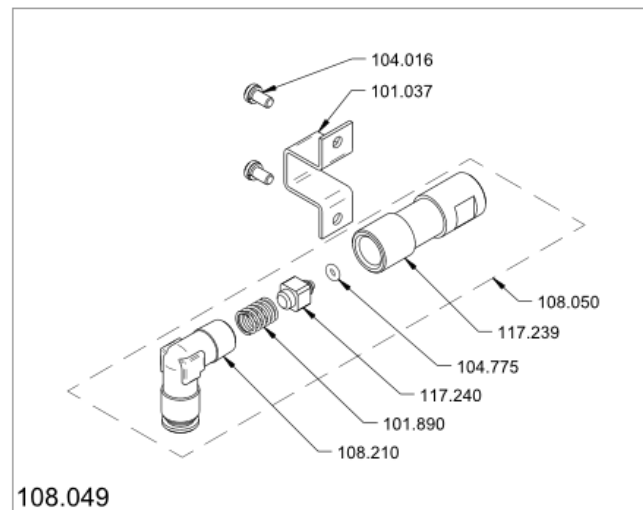
108.042



108.048



116.495

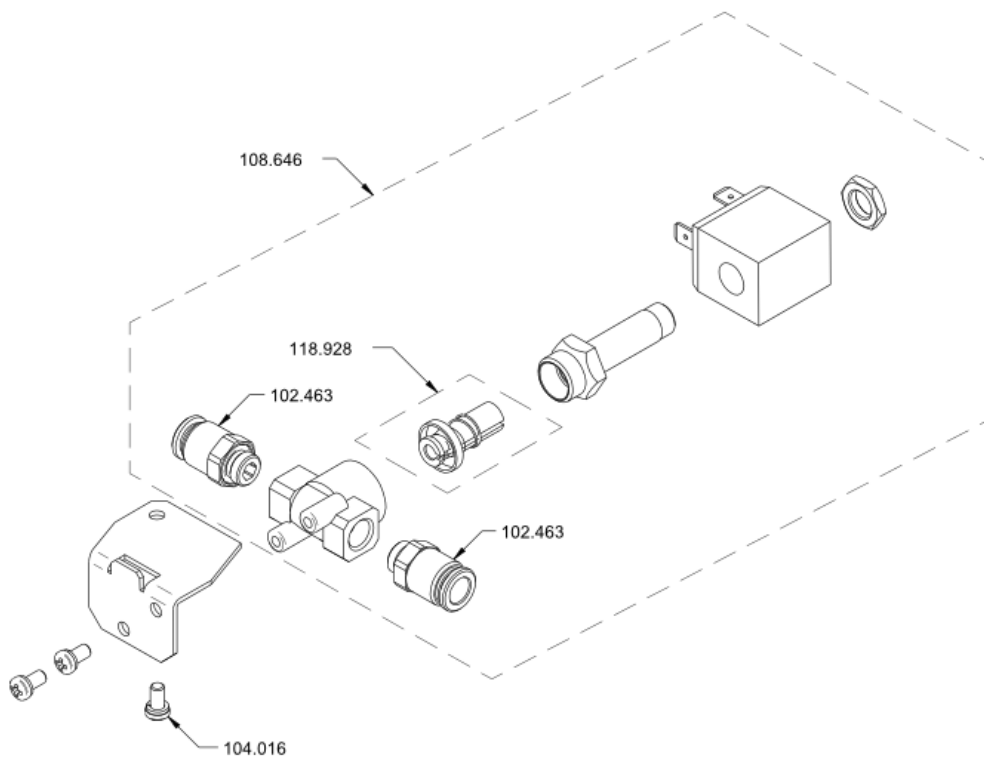
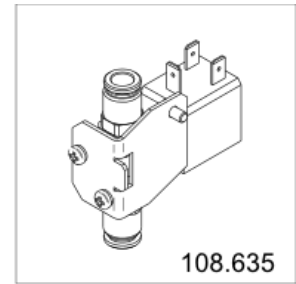


108.049

1.13.1.2 Solenoid valve 2/2 Water inlet assy.

Article no.	Description	Quantity
102.463	Jonction connector 951M-8/6-1/8 assy.	2
104.016	Oval head Phillips combi screw M4x8	2
104.016	Oval head Phillips combi screw M4x8	1
108.646	Solenoid valve 2/2	1
118.928	Plunger kit 2/2	1

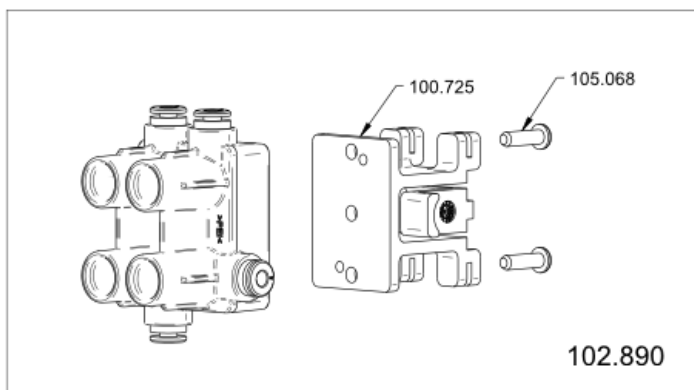
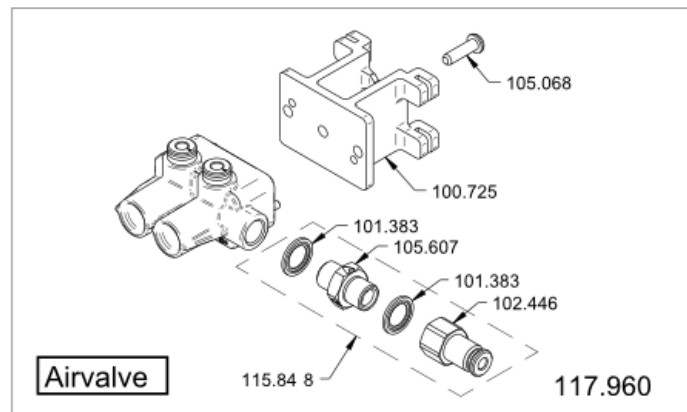
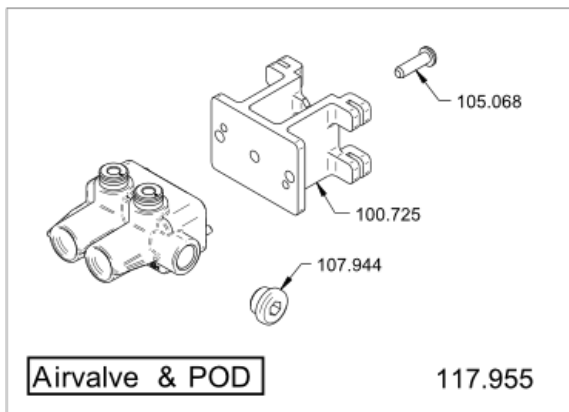
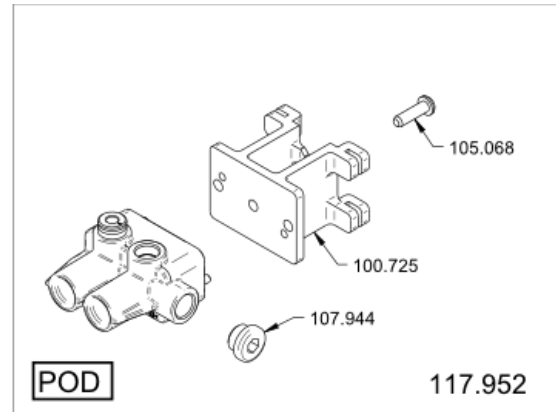
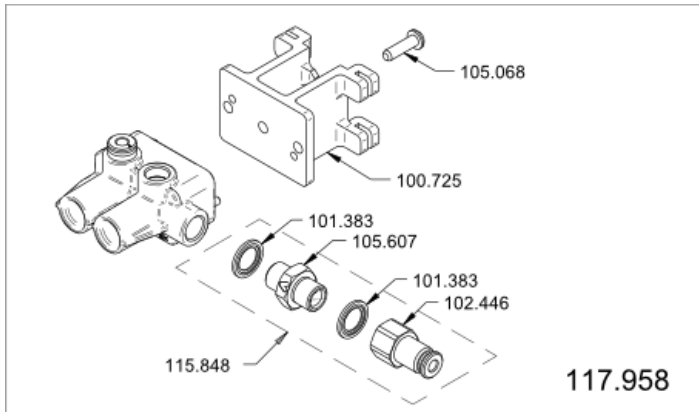
1.13.1.2 Solenoid valve 2/2 Water inlet assy.



1.13.1.3 Hydraulic plug 4 line BW2/3 assy.

Article no.	Description	Quantity
100.725	Support plug connector housing	1
100.725	Support plug connector housing	1
101.383	Seal 1/8"	2
102.446	Straight fitting 4-1/8"	1
105.068	PT Phillips screw KA40x14	1
105.068	PT Phillips screw KA40x14	2
105.607	Valve check air valve block	1
115.848	Check valve G1/8 assy	1

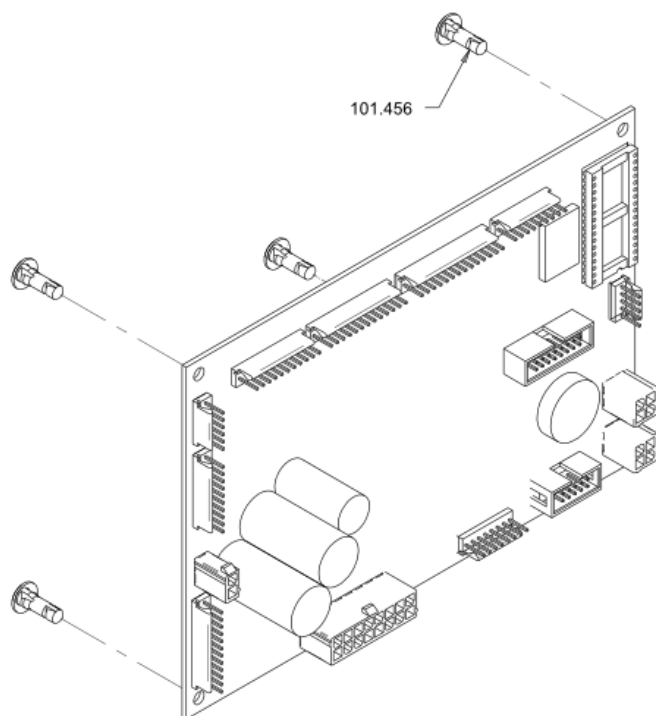
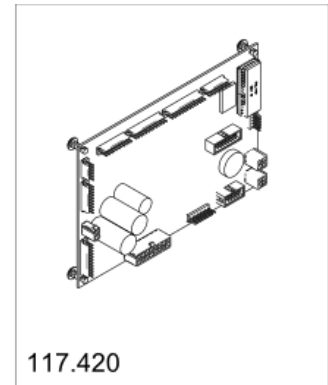
1.13.1.3 Hydraulic plug 4 line BW2/3 assy.



1.13.1.4 BWCO Control Board, assy.

Article no.	Description	Quantity
101.456	Deck support piece ø5.5x8mm	4

1.13.1.4 BWCO Control Board, assy.



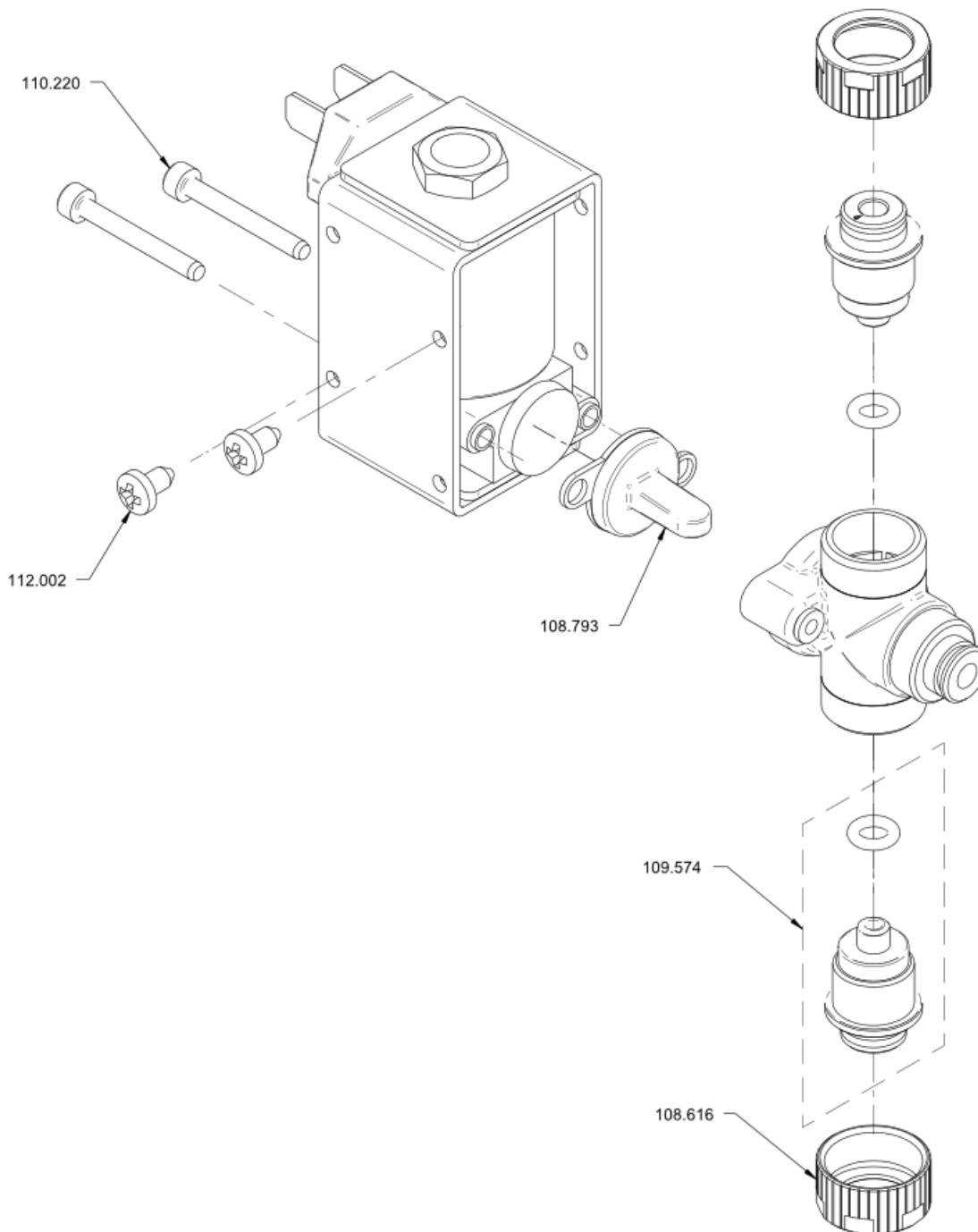
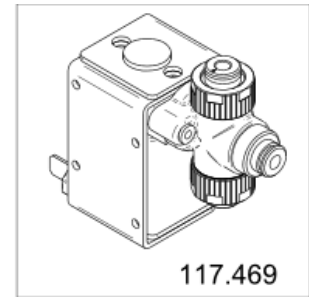
EPRO M not included.
 For detailed information please go to
 FOX2 Software Download
 EPRO M and CF-Cards



1.13.2 Diaphragm valve Hyd.Mod BW2v2/BW3

Article no.	Description	Quantity
108.616	Grooved nut diaphragm valve	2
108.793	Diaphragm	1
109.574	Insert Valve Magma ø4 with O-ring	2
110.220	Socket head screw M3x25	2
112.002	Phillips sheet screw ST 3.5x6.5	2

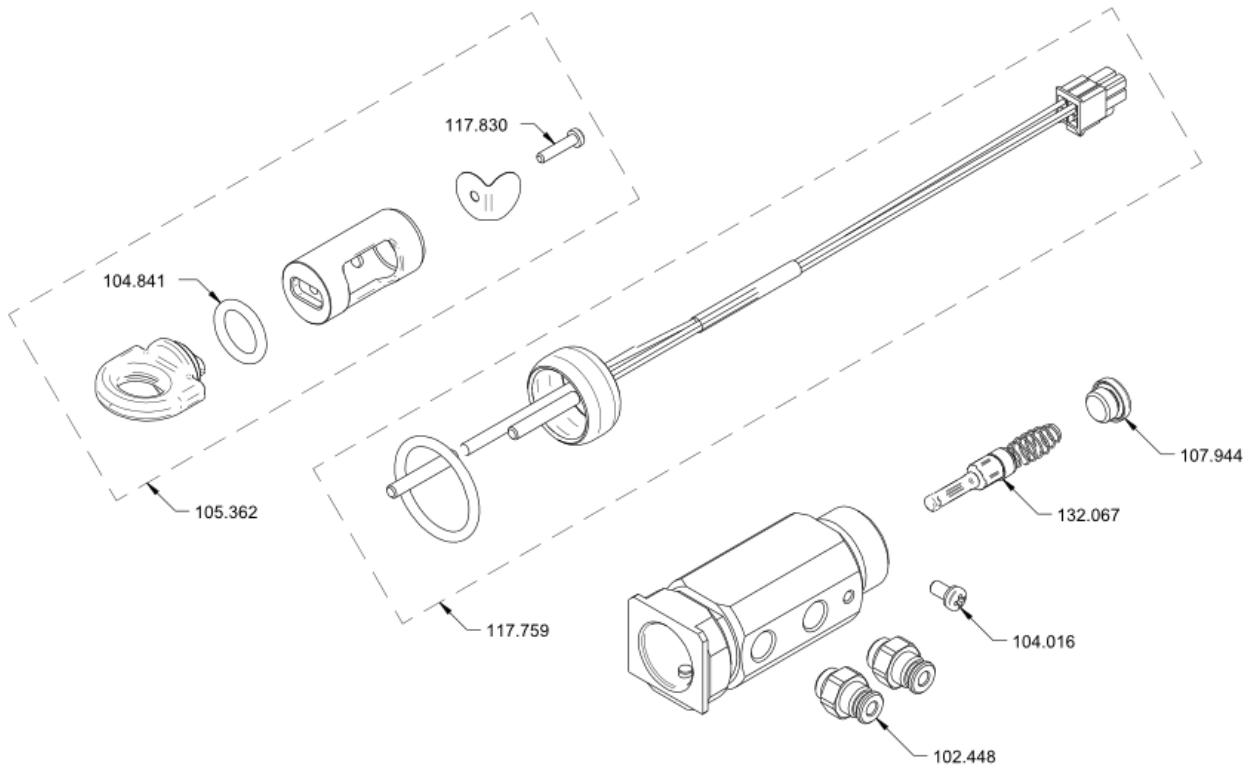
1.13.2 Diaphragm valve Hyd.Mod BW2v2/BW3



1.13.3 Cleaning system BW3 set

Article no.	Description	Quantity
102.448	Straight connection 4-1/8"	2
104.016	Oval head Phillips combi screw M4x8	1
104.841	O-Ring 14.00x3.00 FKM	1
105.362	Key cleaning assy.	1
107.944	Hexagon socket screw plug G1/8"	1
117.759	Reed set cleaning key	1
117.830	Delta PT-screw Torx 30x14	1
132.067	Piston cleaning tab detection blue assy.	1

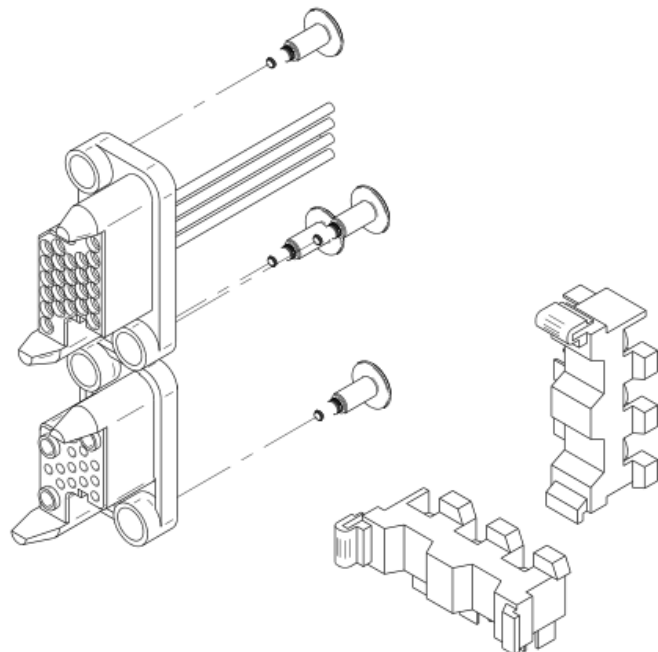
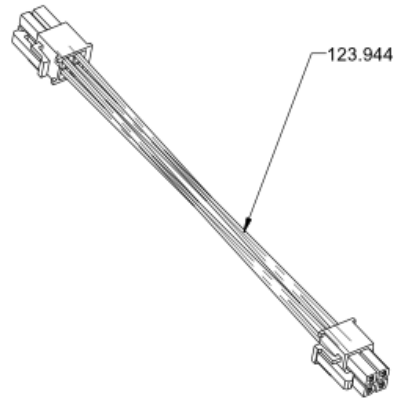
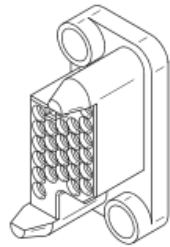
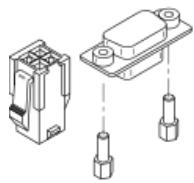
1.13.3 Cleaning system BW3 set



1.13.4 Wiring harness frame CTMcool BW2/BW3v3 assy.

Article no.	Description	Quantity
116.470	SHEETracs screw Torx 40x20/8	6
123.944	Fox-wire BW3	1

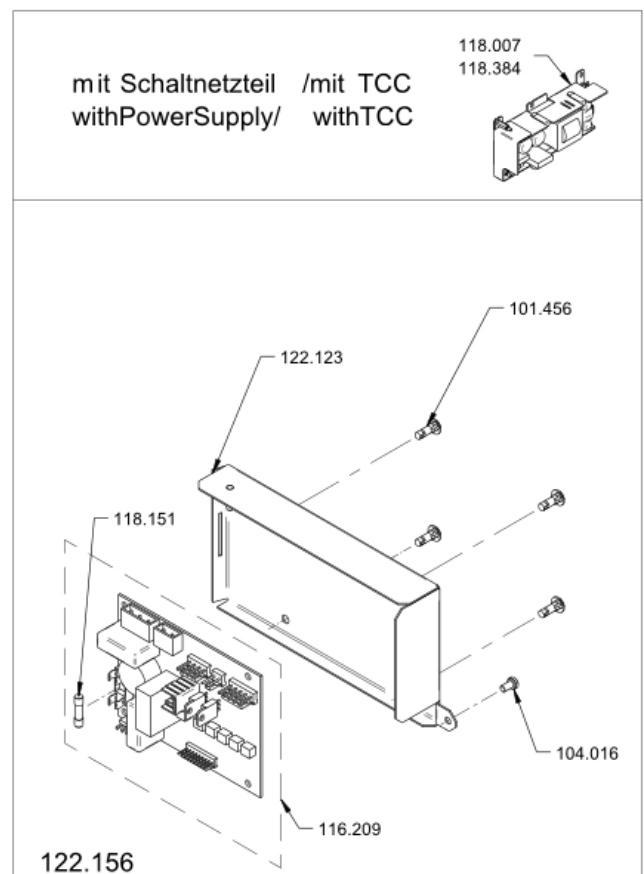
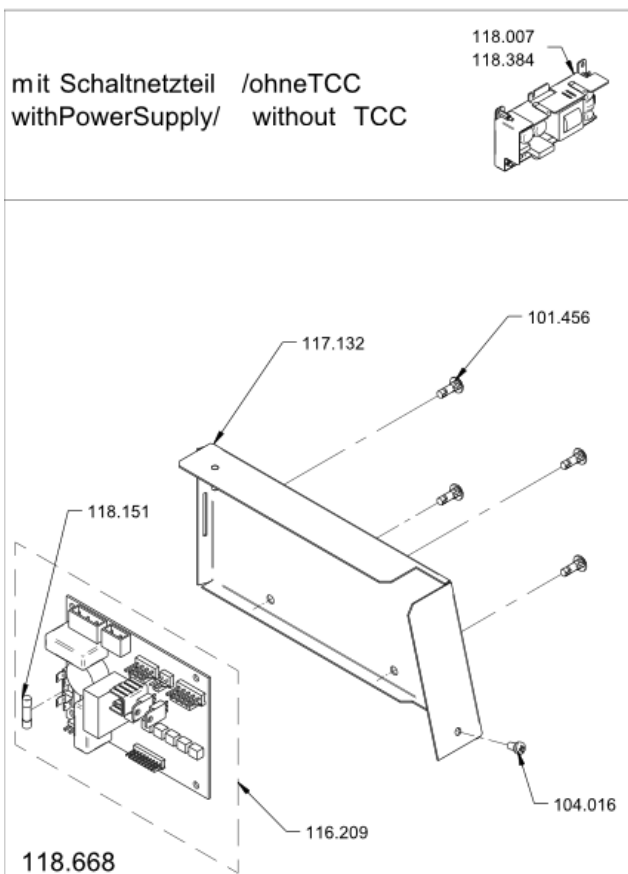
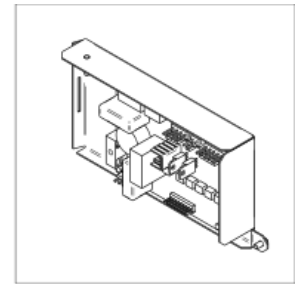
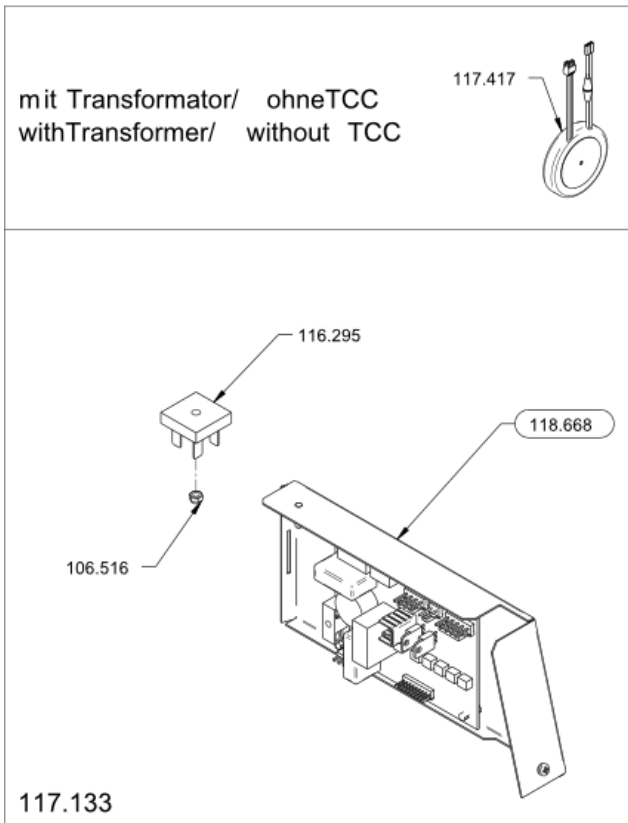
1.13.4 Wiring harness frame CTMcool BW2/BW3v3 assy.



1.13.5 Power unit BW2/BW3 w/o Commutator

Article no.	Description	Quantity
101.456	Deck support piece ø5.5x8mm	4
104.016	Oval head Phillips combi screw M4x8	1
116.209	BWCP BWCool Powerboard	1
117.132	Support sheet power unit BW2/BW3	1
118.151	Fuse T4A H250V 5x20mm	1

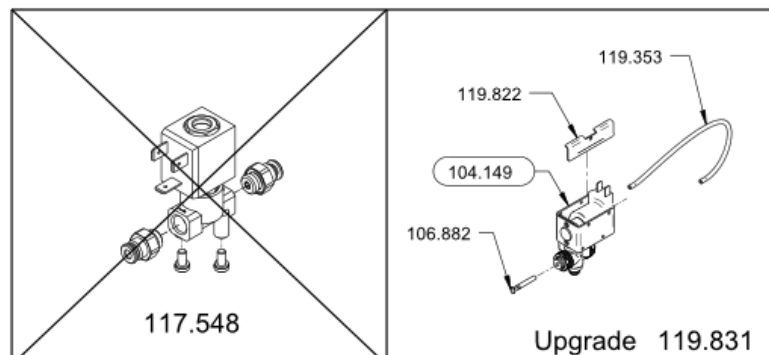
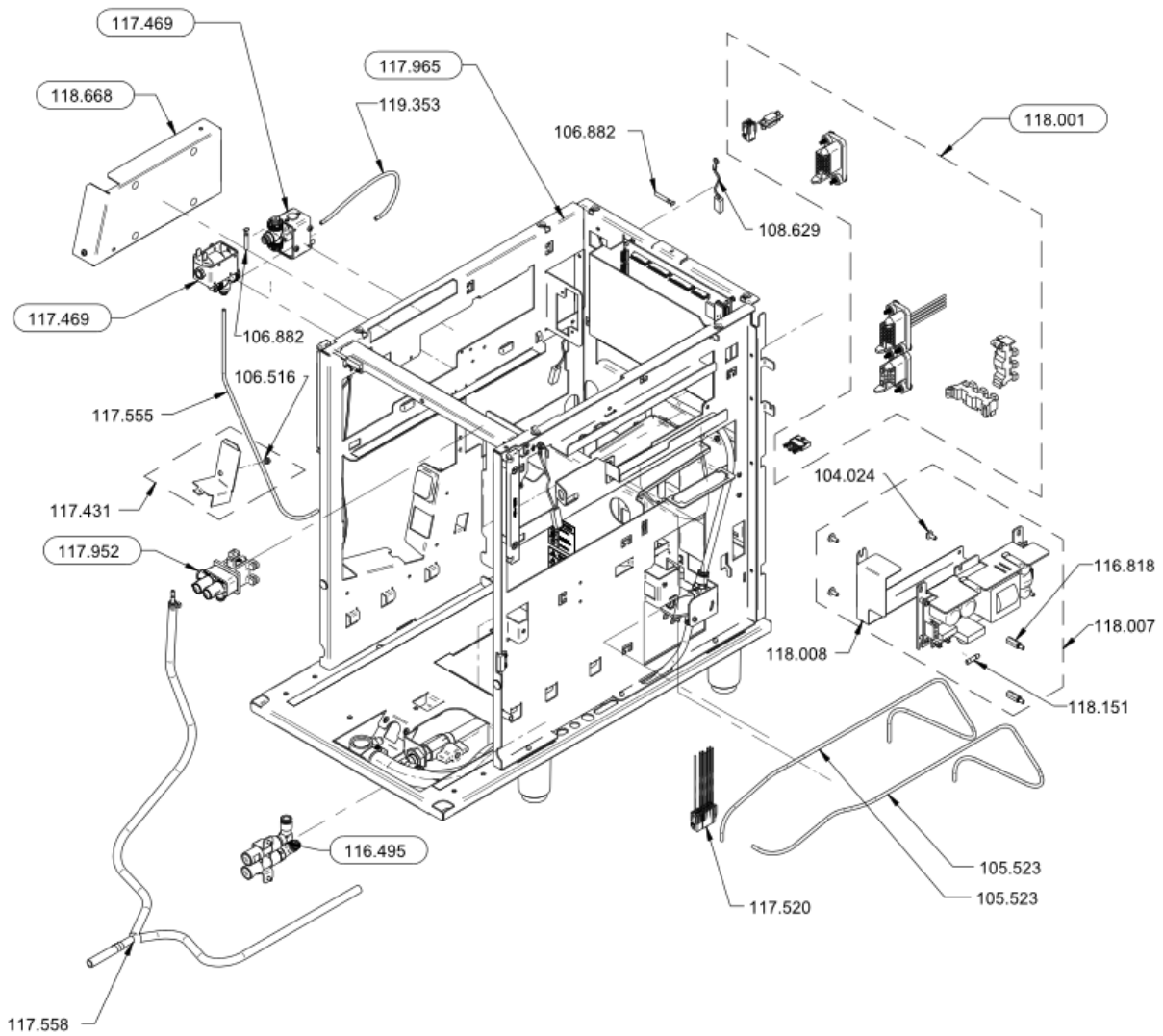
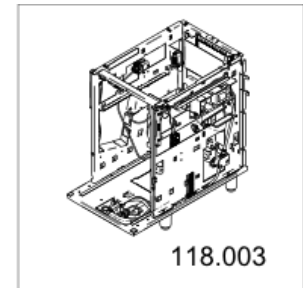
1.13.5 Power unit BW2/BW3 w/o Commutator



1.14 Frame BW2v3 CTMcool (POD) assy.

Article no.	Description	Quantity
104.024	Lens head screw M04x10	3
104.149	3/2 way diaphragm valve (ø4) assy.	1
105.523	FEP pipe ø4/2 x 660mm	2
106.516	Lock nut M4	1
106.882	Peg ø4mm	1
108.629	Motion cable CT-MF5, 1,5m special	1
116.495	Water connection frame BW2/BW3 assy.	1
116.818	Spacer MF M4x18	3
117.431	Set Sheetmetal cleaning key BW2	1
117.469	Diaphragm valve Hyd.Mod BW2v2/BW3	2
117.520	Connect. cable interior CTM-RF BW2/BW3	1
117.555	FEP pipe ø4/2 x 555mm	1
117.558	Drain Piping BW cool assy.	1
117.952	Hyd. connector BW2/3 without b. valve	1
117.965	Frame CT assy, BW2/BW3v3	1
118.001	Wiring harness frame CTMcool BW2/BW3v3 assy.	1
118.007	Switching power supply set	1
118.008	Cover switching power	1
118.151	Fuse T4A H250V 5x20mm	1
118.668	Power unit BW2/BW3 w/o Commutator	1
119.353	FEP pipe ø4/2 x 250mm	1
119.353	FEP pipe ø4/2 x 250mm	1
119.822	Holding sheet to Diaphragm valve	1
119.831	Diaphragm valve change kit	1

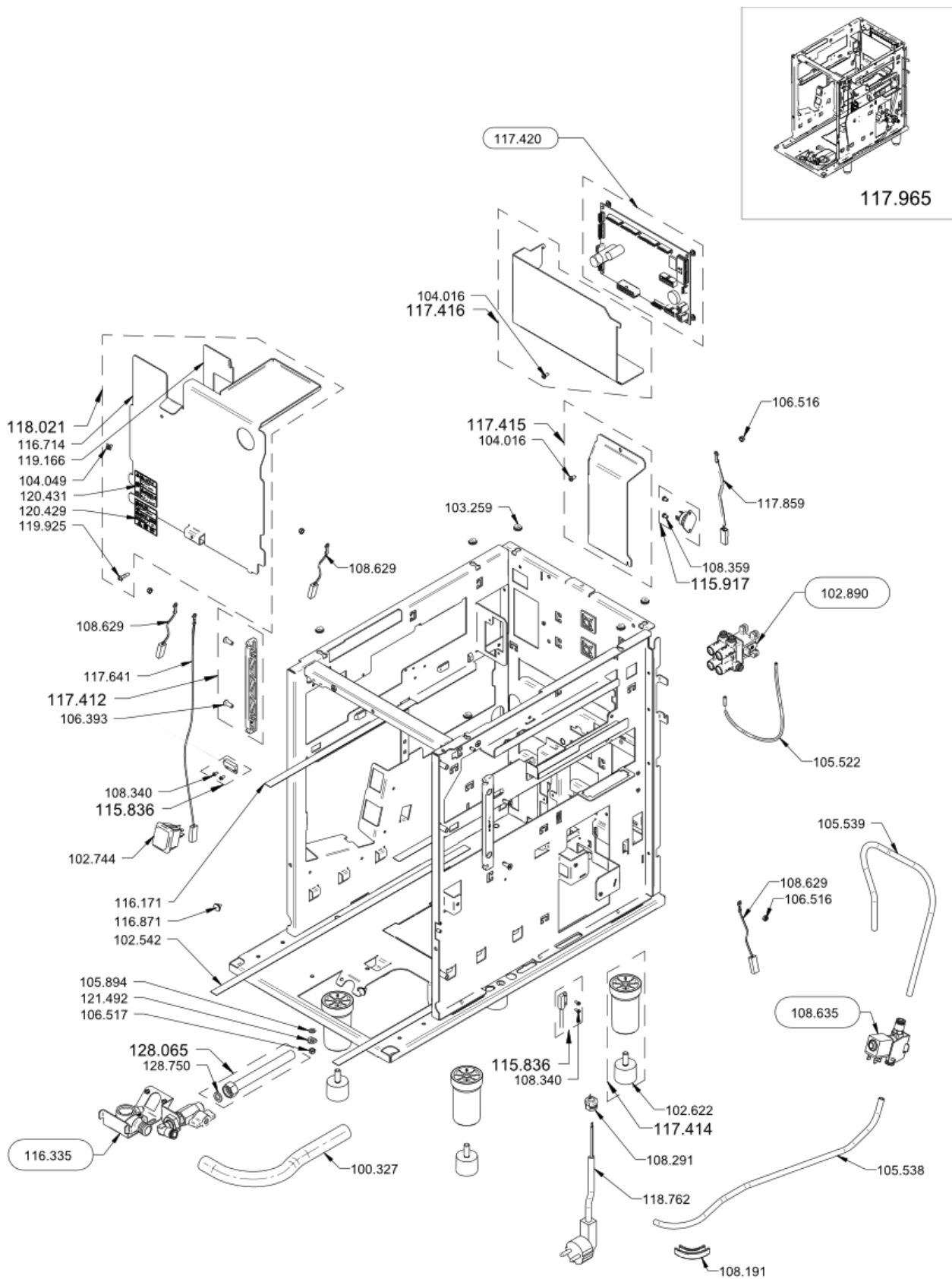
1.14 Frame BW2v3 CTMcool (POD) assy.



1.14.1 Frame CT assy, BW2/BW3v3

Article no.	Description	Quantity
100.327	Drain pipe 2.5m	1
102.622	Rundbuffer ø30x17/M8x20	1
102.744	Main power switch	1
102.890	Hydraulic plug 4 line BW2/3 assy.	1
103.259	Cable bushing ø11/8 x 5.5	6
104.016	Oval head Phillips combi screw M4x8	1
104.049	Oval head screw M4x6 Phillips	1
105.522	FEP pipe ø4/2 x 280mm	1
105.538	FEP pipe ø8/6 x 480mm	1
105.894	Washer M5	1
106.393	Countersunk screw Phillips M5x14	2
106.516	Lock nut M4	4
106.517	Lock nut M5	1
108.191	Angle protection to steam pipe	1
108.340	Cheese head screw Phillips M3x6	2
108.359	Socket flat head screw M4x6	2
108.629	Motion cable CT-MF5, 1,5m special	3
108.635	Solenoid valve 2/2 Water inlet assy.	1
115.836	Reed switch with screws	2
115.917	Set Triac	1
116.171	Slide tape 13x 310mm	2
116.335	Water connection BW2/3 assy.	1
117.412	Command unit guide, assembly	2
117.414	Frame leg assy.	4
117.415	Protection sheet E-parts BW2/BW3	1
117.416	Cover CPU BW2/BW3 assy.	1
117.420	BWCO Control Board, assy.	1
117.641	Grounding cable 370mm BW2/BW3	1
117.859	Grounding cable 180mm	1
118.021	Protection set hydr. Modul BW2/3v3	1
119.925	Unloosable screw M4x16	1
120.429	Label "Electric shock hazard"	1
120.431	Label "Burn hazard"	1
121.492	Retaining washer M5	1
128.065	Reinf. water hose, coatad 3/8-3/8x2m	1

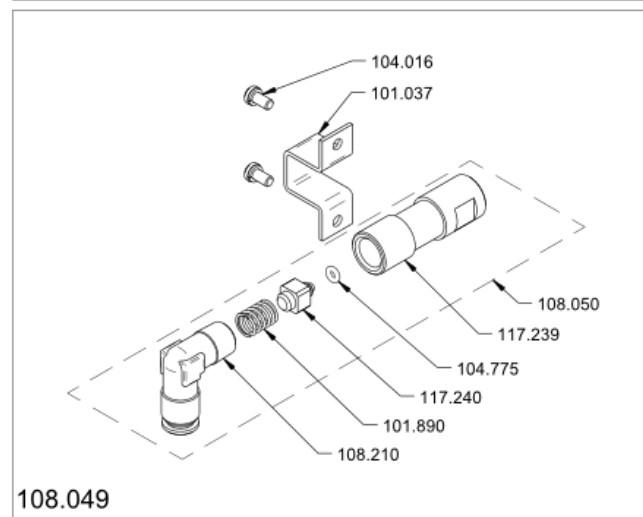
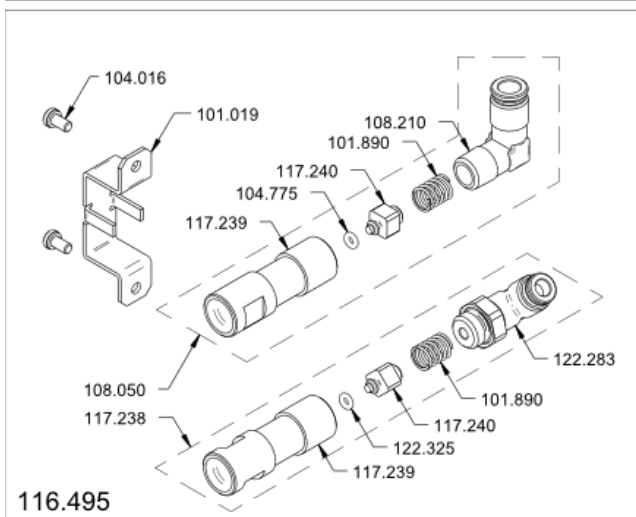
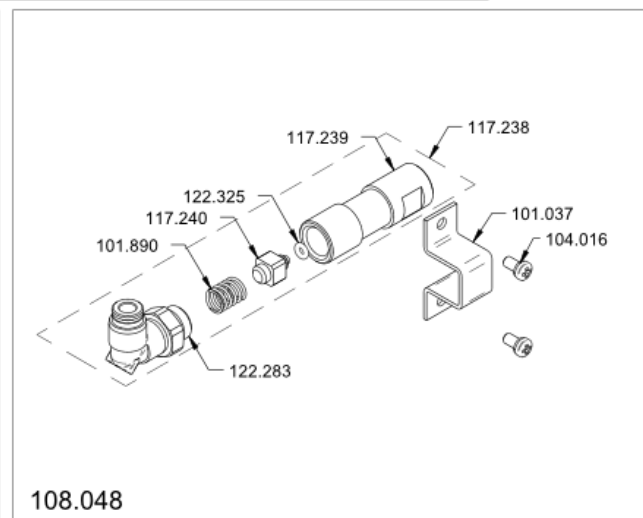
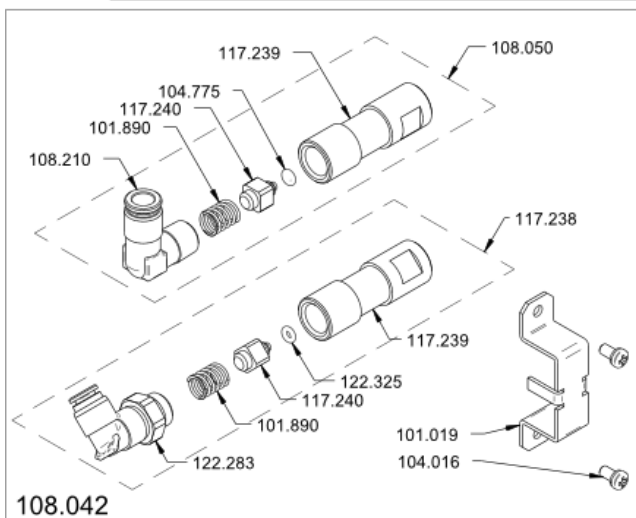
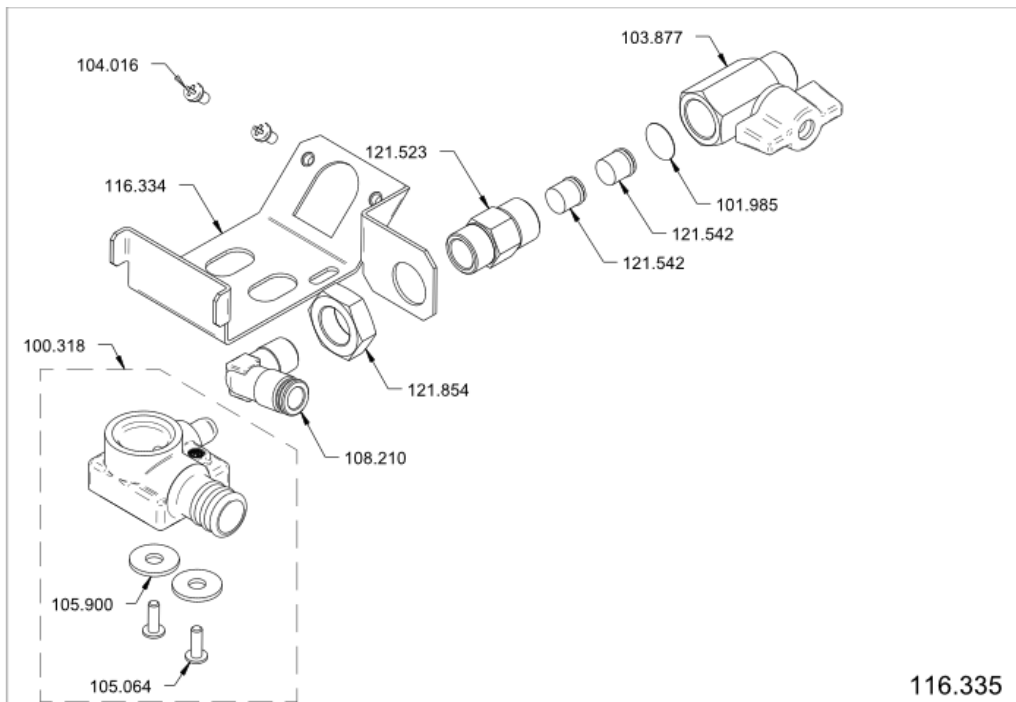
1.14.1 Frame CT assy, BW2/BW3v3



1.14.1.1 Water connection BW2/3 assy.

Article no.	Description	Quantity
100.318	Drain connection, assembly	1
101.019	Bracket BW2	1
101.890	Spring ø9.5 x 15	1
101.890	Spring ø9.5 x 15	1
101.985	Filter water 3/8"	1
103.877	Tap G3/8"	1
104.016	Oval head Phillips combi screw M4x8	2
104.016	Oval head Phillips combi screw M4x8	2
104.775	O-Ring 2.90x1.78 FKM	1
105.064	Oval head PT screw w. washer Phi KA40x12	2
105.900	Flat washer M6	2
108.050	Waterinlet Clip BW	1
108.210	Threaded elbow joint 8-1/4"	1
108.210	Threaded elbow joint 8-1/4"	1
116.334	Support drain conneion	1
117.238	Clip BW2/BW3 assy.	1
117.239	Connector Inox	1
117.239	Connector Inox	1
117.240	Valve PVDF	1
117.240	Valve PVDF	1
121.523	Reducer fitting 3/8x1/4 with back stop	1
121.542	RV-Patrone DW10	2
121.854	Lock nut M16x1 (0.5d)	1
122.283	Elbow connection 6-1/4 (milk)	1
122.325	O-Ring 2.90x1.78 EPDM	1

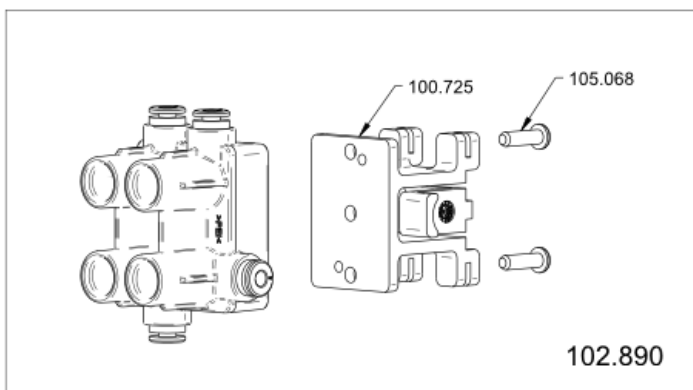
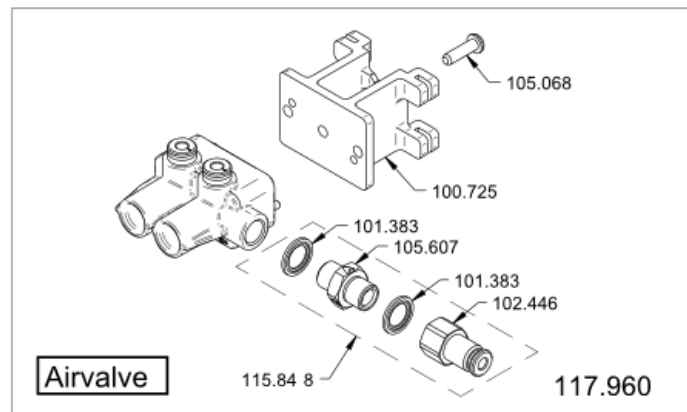
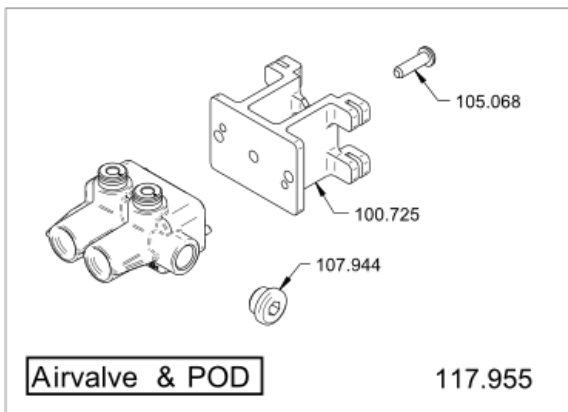
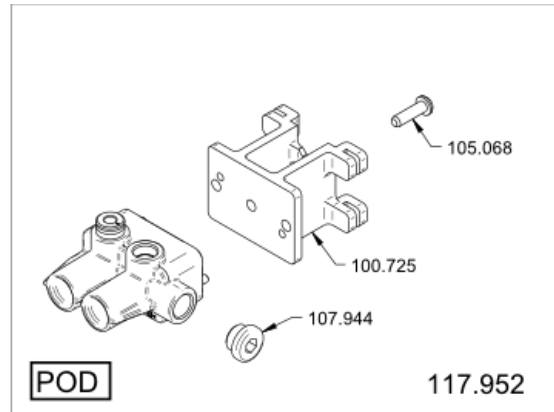
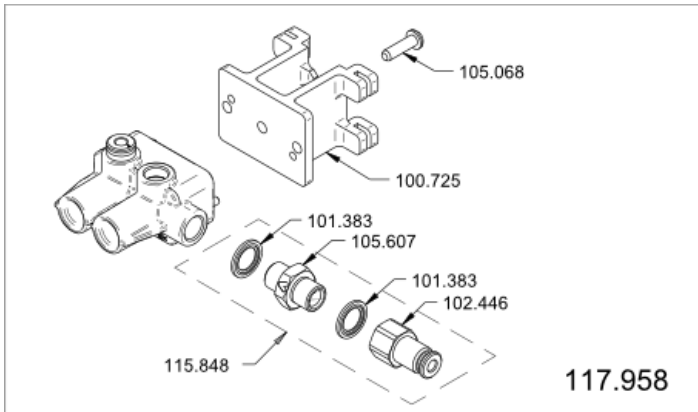
1.14.1.1 Water connection BW2/3 assy.



1.14.1.2 Hydraulic plug 4 line BW2/3 assy.

Article no.	Description	Quantity
100.725	Support plug connector housing	1
100.725	Support plug connector housing	1
105.068	PT Phillips screw KA40x14	1
105.068	PT Phillips screw KA40x14	2
107.944	Hexagon socket screw plug G1/8"	1

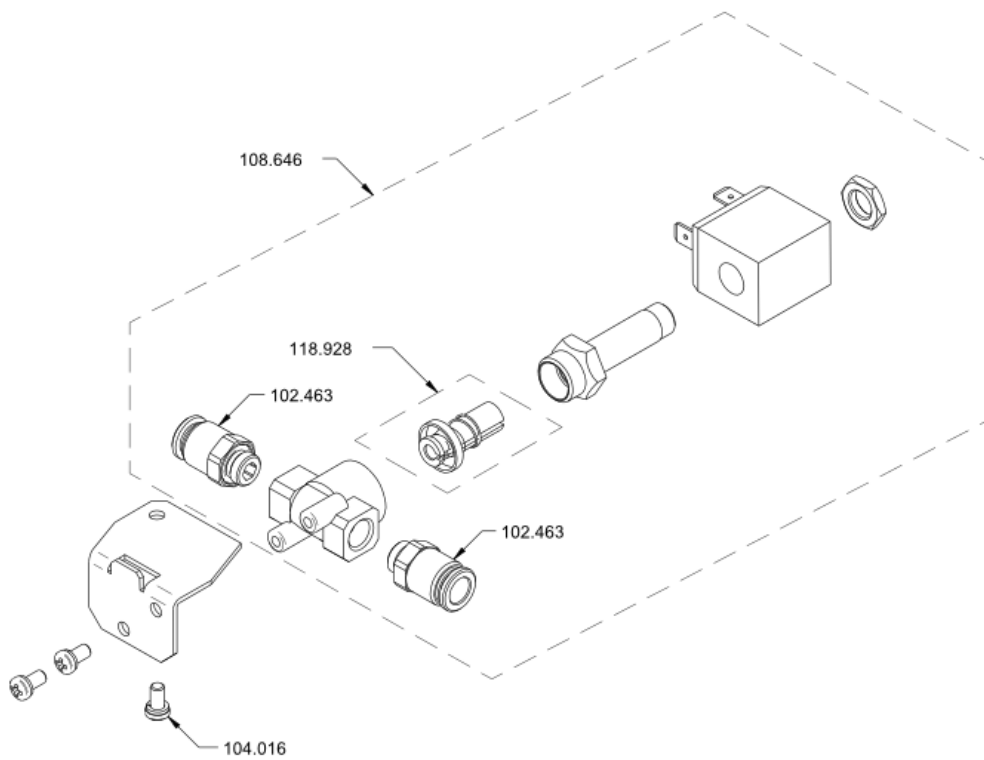
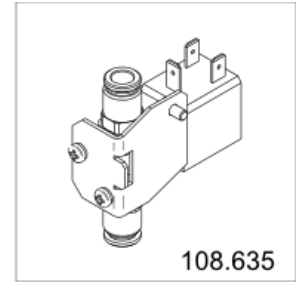
1.14.1.2 Hydraulic plug 4 line BW2/3 assy.



1.14.1.3 Solenoid valve 2/2 Water inlet assy.

Article no.	Description	Quantity
102.463	Jonction connector 951M-8/6-1/8 assy.	2
104.016	Oval head Phillips combi screw M4x8	2
104.016	Oval head Phillips combi screw M4x8	1
108.646	Solenoid valve 2/2	1
118.928	Plunger kit 2/2	1

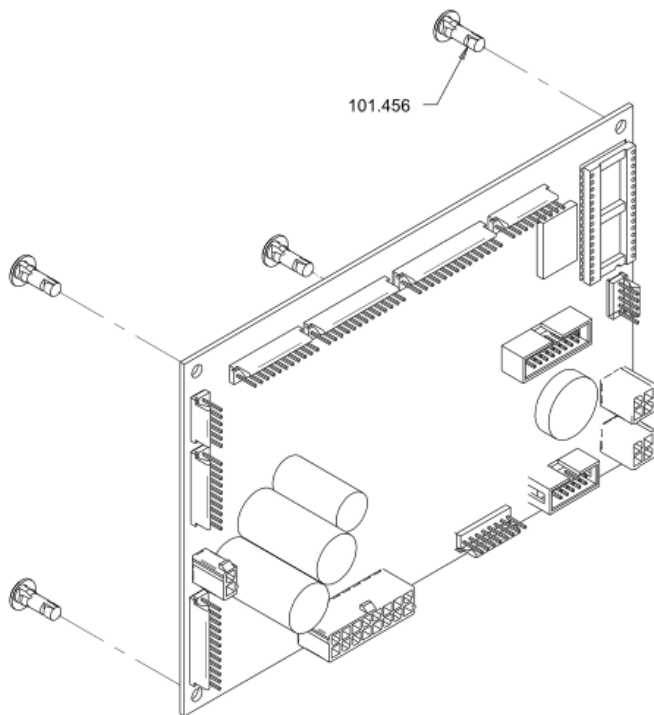
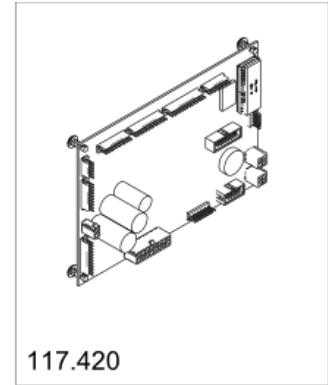
1.14.1.3 Solenoid valve 2/2 Water inlet assy.



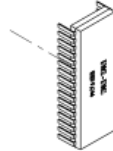
1.14.1.4 BWCO Control Board, assy.

Article no.	Description	Quantity
101.456	Deck support piece ø5.5x8mm	4

1.14.1.4 BWCO Control Board, assy.



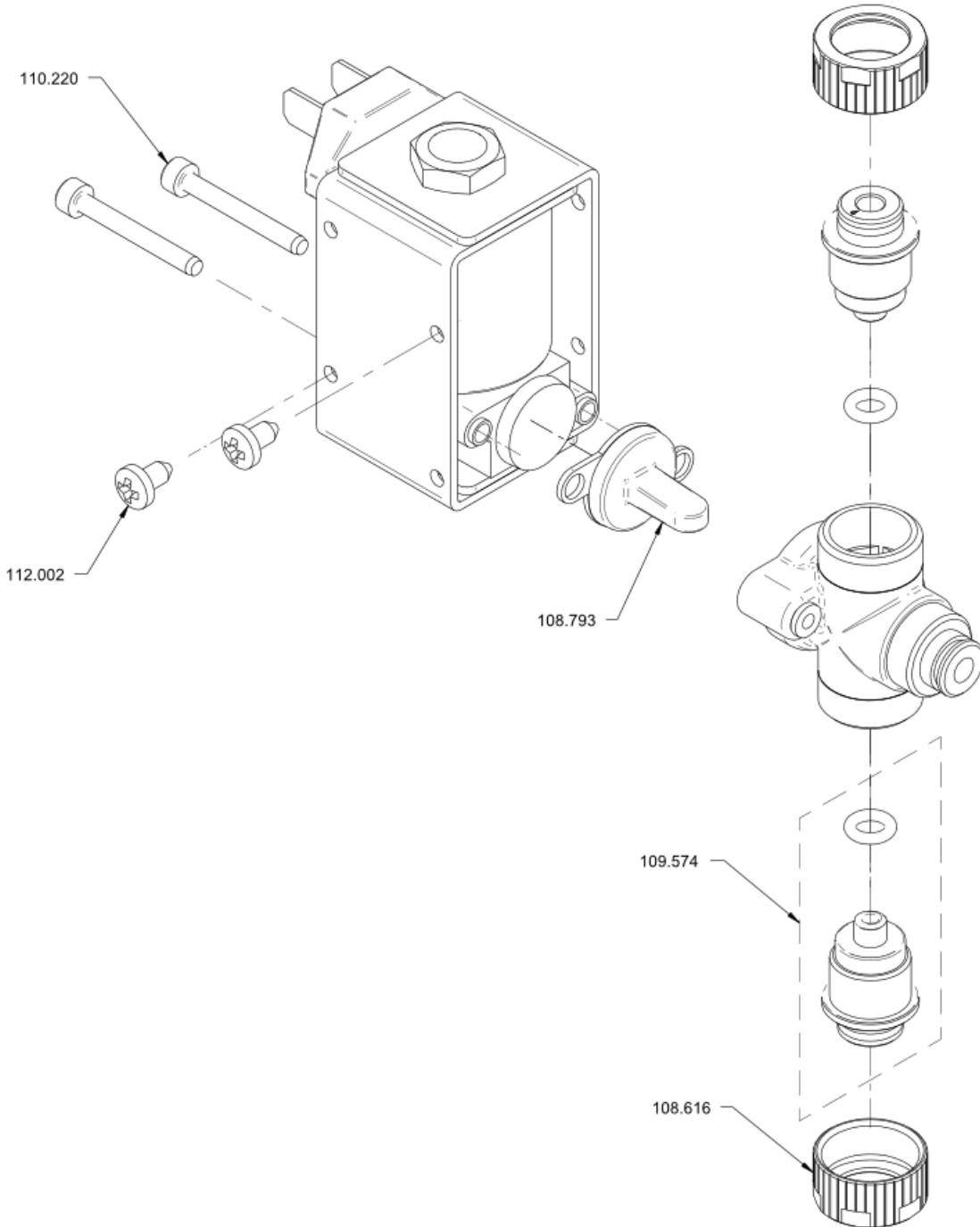
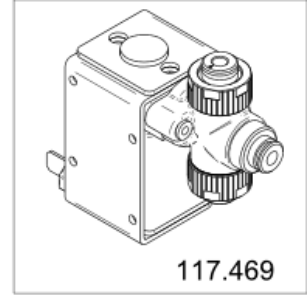
EPRO M not included.
For detailed information please go to
FOX2 Software Download
EPRO M and CF-Cards



1.14.2 Diaphragm valve Hyd.Mod BW2v2/BW3

Article no.	Description	Quantity
108.616	Grooved nut diaphragm valve	2
108.793	Diaphragm	1
109.574	Insert Valve Magma ø4 with O-ring	2
110.220	Socket head screw M3x25	2
112.002	Phillips sheet screw ST 3.5x6.5	2

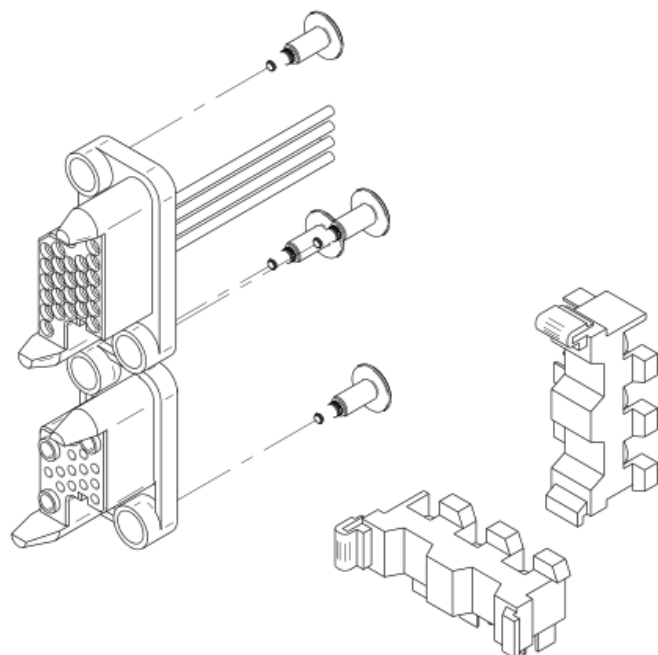
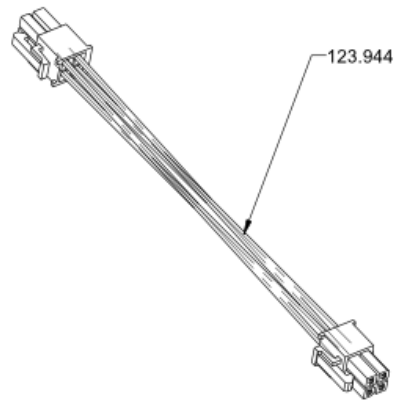
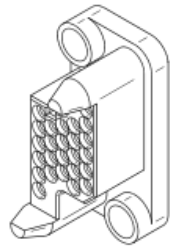
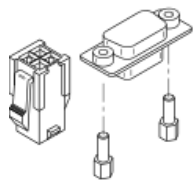
1.14.2 Diaphragm valve Hyd.Mod BW2v2/BW3



1.14.3 Wiring harness frame CTMcool BW2/BW3v3 assy.

Article no.	Description	Quantity
116.470	SHEETracs screw Torx 40x20/8	6
123.944	Fox-wire BW3	1

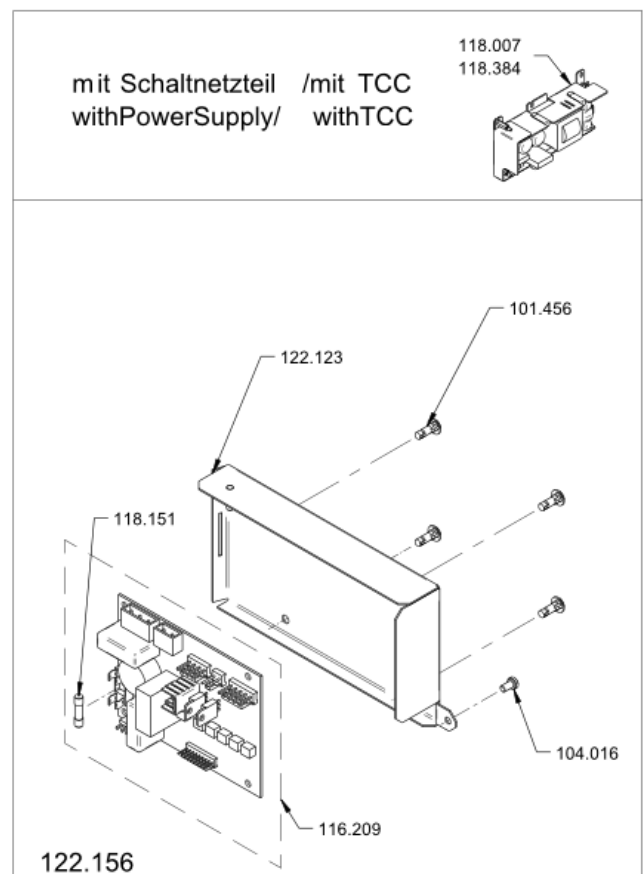
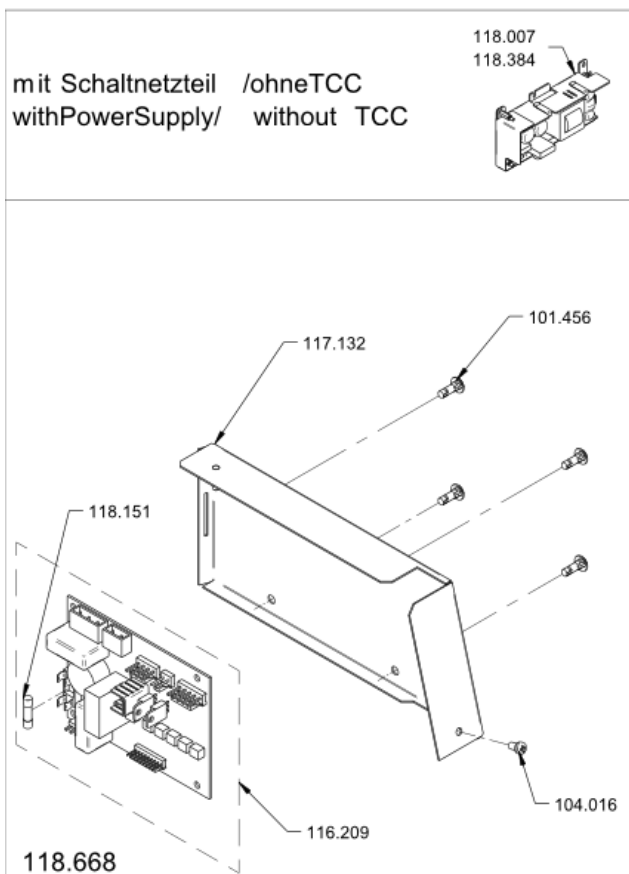
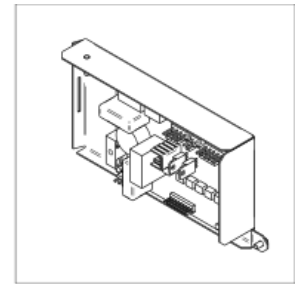
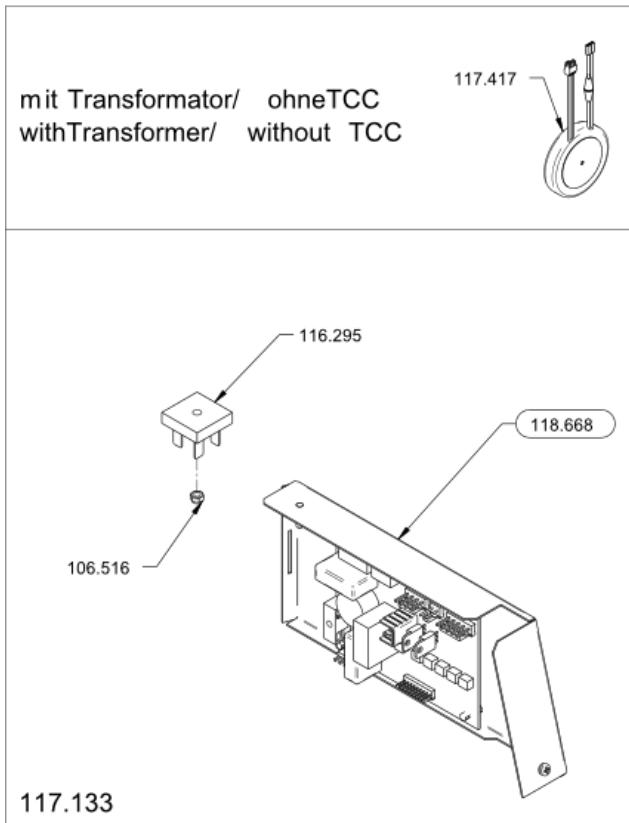
1.14.3 Wiring harness frame CTMcool BW2/BW3v3 assy.



1.14.4 Power unit BW2/BW3 w/o Commutator

Article no.	Description	Quantity
101.456	Deck support piece ø5.5x8mm	4
104.016	Oval head Phillips combi screw M4x8	1
116.209	BWCP BWCool Powerboard	1
117.132	Support sheet power unit BW2/BW3	1
118.151	Fuse T4A H250V 5x20mm	1

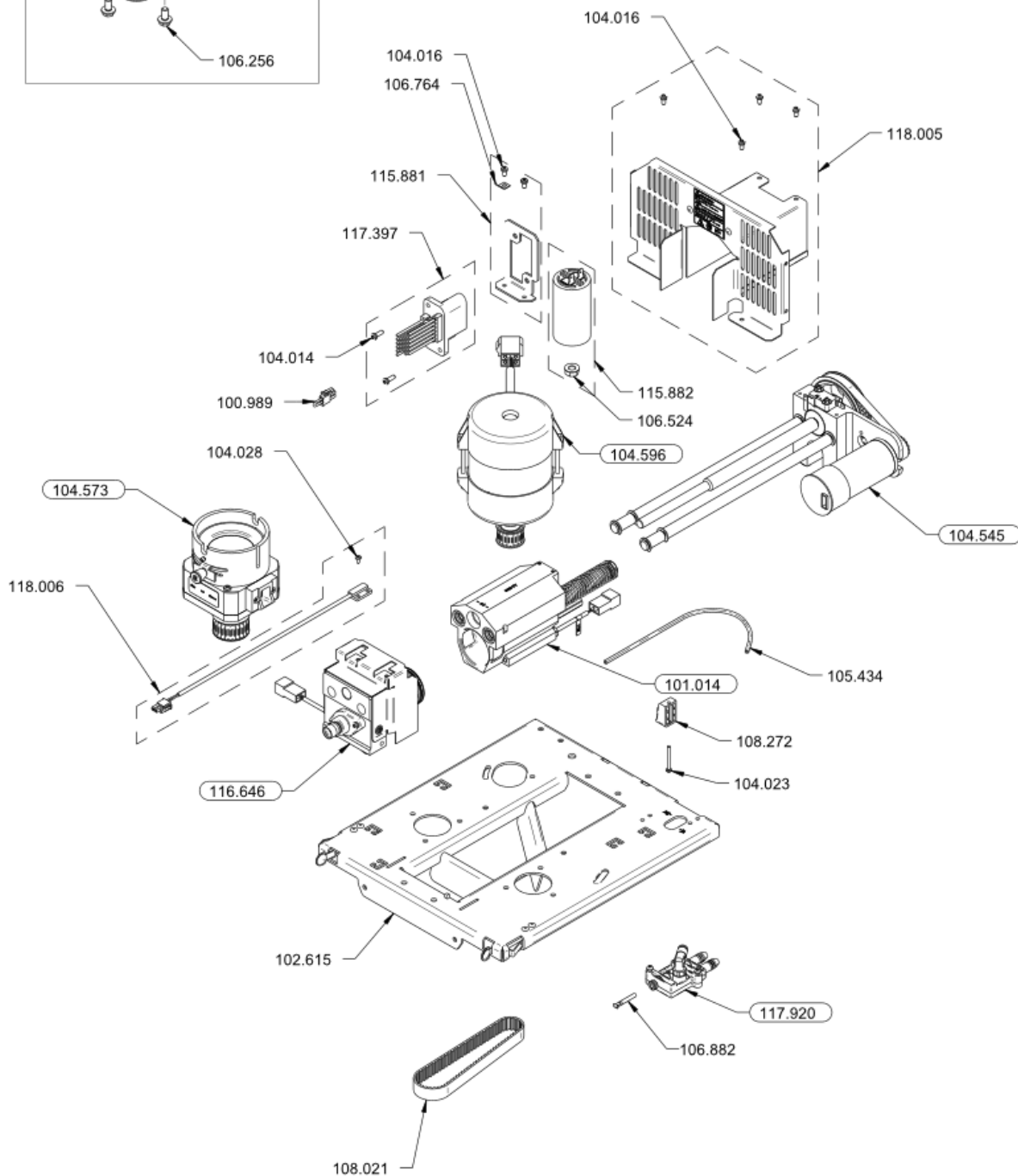
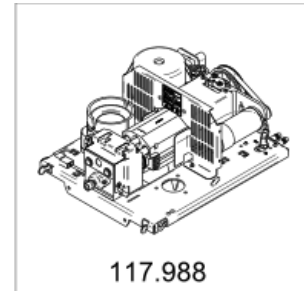
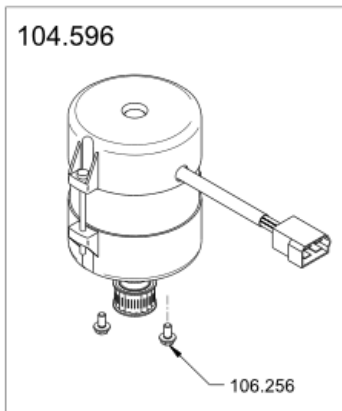
1.14.4 Power unit BW2/BW3 w/o Commutator



1.15 Mech. Modul M1 BW2/BW3v3 assy.

Article no.	Description	Quantity
100.989	Bridge 230V/115V	1
101.014	Brew chamber + mobile piston BW2 assy.	1
102.615	Mechanical base BW/Mastrena assy.	1
104.014	Oval head Phillips combi screw M4x12	2
104.016	Oval head Phillips combi screw M4x8	4
104.016	Oval head Phillips combi screw M4x8	2
104.023	Oval head screw Phillips M3x30	1
104.028	Phillips screw M3x6	1
104.545	Rear block with motor BW2/V901	1
104.573	Left grinder ceramic BW2/BW3, assy.	1
104.596	Grinder motor BW2 / Mastrena assy.	1
105.434	FEP pipe $\varnothing 4/2$ x 298mm	1
106.256	Hexagon head cap screw M5x10 with ripped	2
106.524	Lock nut M8 Serpress	1
106.764	Grounding connector 45° M4	1
106.882	Peg $\varnothing 4$ mm	1
108.021	Toothed belt 365-5M-A-15	1
108.272	Cap for coffee group	1
115.881	Set fixation 25 pole connector mechanic	1
115.882	Capacitor 450V/16 μ F with nut	1
116.646	Front block BW3 assy.	1
117.397	Wiring harness mech. BW2v2/BW3 with screws	1
117.920	Hydr. plug connector mecha 2 way assy.	1
118.005	Protection sheet mechanic BW2/BW3v3 set	1
118.006	Reed switch BW2/BW3v3 set	1

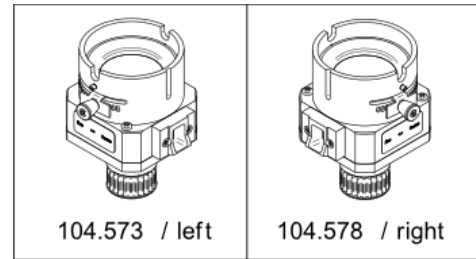
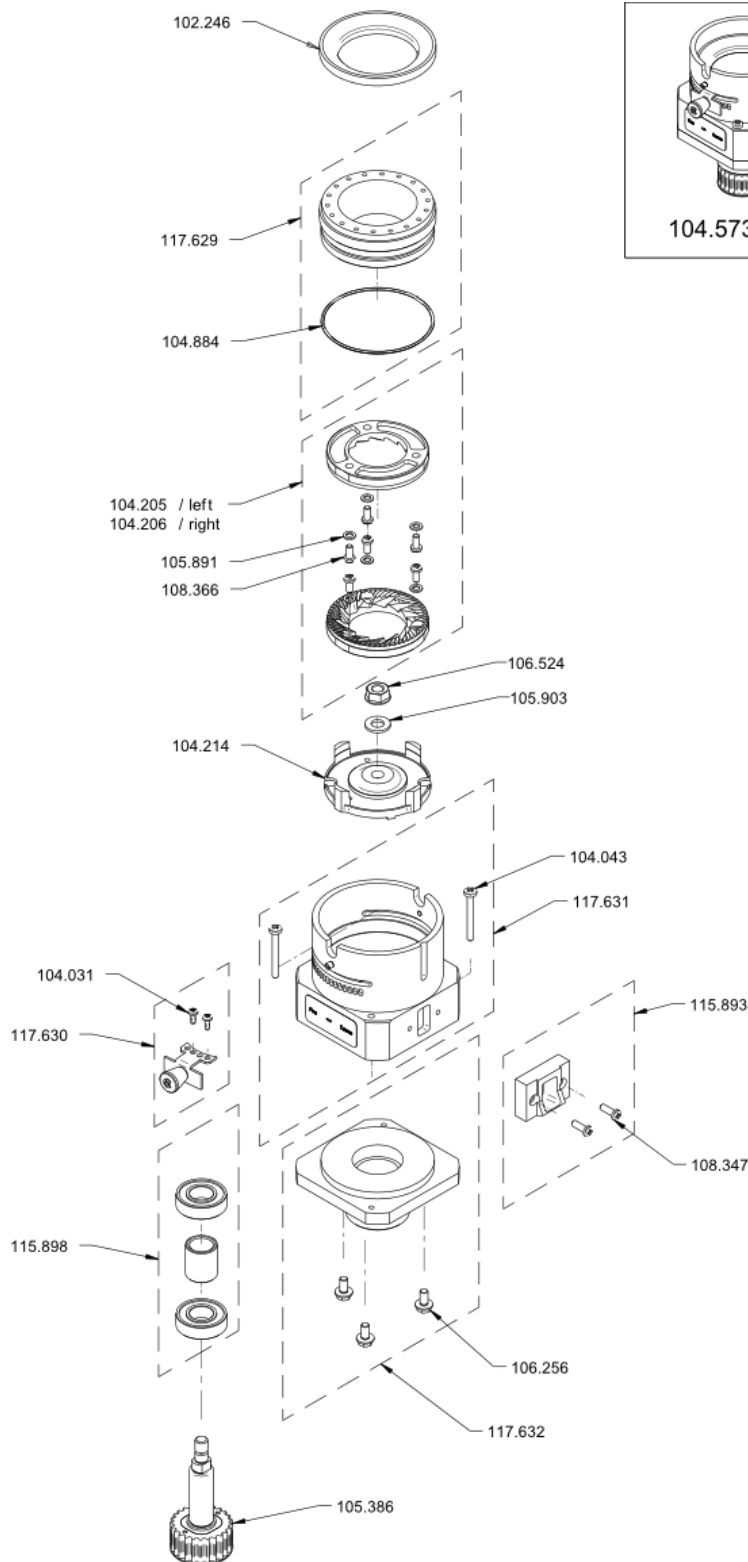
1.15 Mech. Modul M1 BW2/BW3v3 assy.



1.15.1 Left grinder ceramic BW2/BW3, assy.

Article no.	Description	Quantity
102.246	Bean guide disc $\varnothing 73 \times 9.5$	1
104.031	Oval head thread forming screw Phi. M3x8	2
104.043	Oval head screw Phillips M4x35	2
104.205	Mill wheel pair ceramic left, assembly	1
104.206	Mill wheel pair ceramic right, assembly	1
104.214	Grinder disk rotating holder	1
104.573	Left grinder ceramic BW2/BW3, assy.	1
104.884	O-Ring 67.00x2.00 NBR	1
105.386	Grinder shaft RPP5, assy.	1
105.891	Flat washer M4/3 4x8x0.8	6
105.903	Washer M8	1
106.256	Hexagon head cap screw M5x10 with ripped	3
106.524	Lock nut M8 Serpress	1
108.347	Phillips screw M4x12	2
108.366	Pozidriv head screw M4x9 Tuflok	6
115.893	Powder channel with screws	1
115.898	Bearing kit for grinder 64mm	1
117.629	Upper burr support BW2/BW3 assy.	1
117.630	Kit pin grinder adjustment	1
117.631	Upper mill body assy.	1
117.632	Lower grinder body set	1

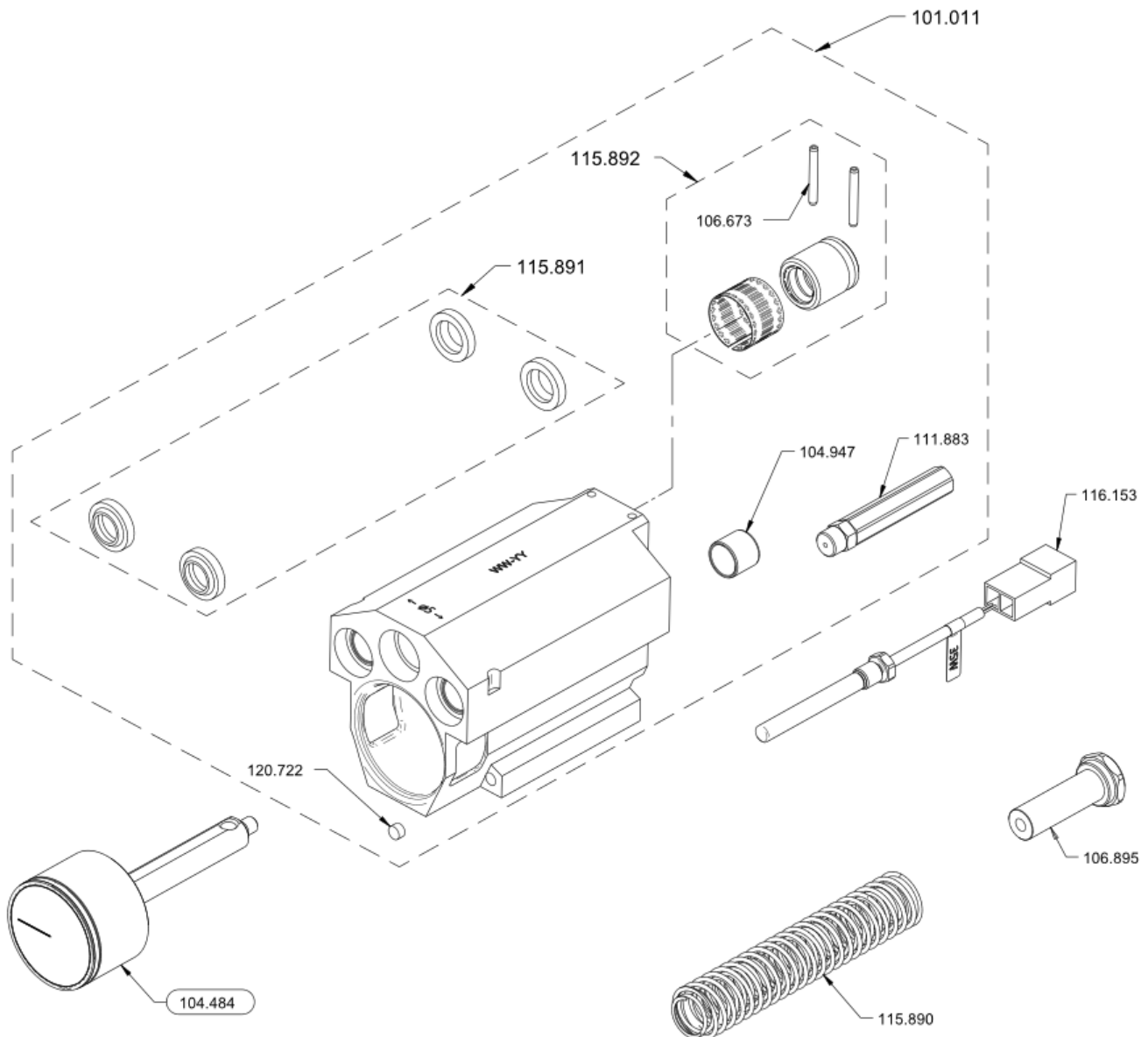
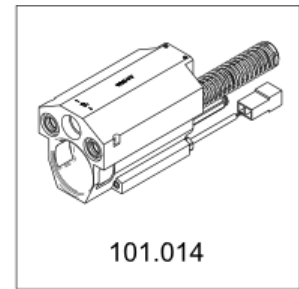
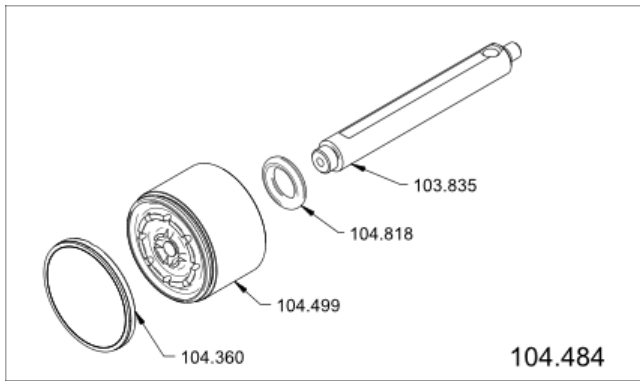
1.15.1 Left grinder ceramic BW2/BW3, assy.



1.15.2 Brew chamber + mobile piston BW2 assy.

Article no.	Description	Quantity
101.011	Brew chamber BW2/Mastrena, assembly	1
103.835	Shaft mobile piston BW2/Mastrena	1
104.360	Filter with clip	1
104.484	Mobile piston, assembly	1
104.499	Mobile piston head PEEK	1
104.818	O-Ring 10.69x3.53 FKM	1
104.947	Guide sleeve P11 PAP 1212	1
106.673	Roll pin \varnothing 3x24	2
106.895	Spring stop	1
111.883	Connection brew chamber	1
115.890	Spring kit brew chamber Mastrena/BW2	1
115.891	Scraper ring set	1
115.892	Kit brew chamber nut Rondo 14x4	1
116.153	Heating cartige 35W/230V assy.	1
120.722	Cartridge seal \varnothing 5.3	1

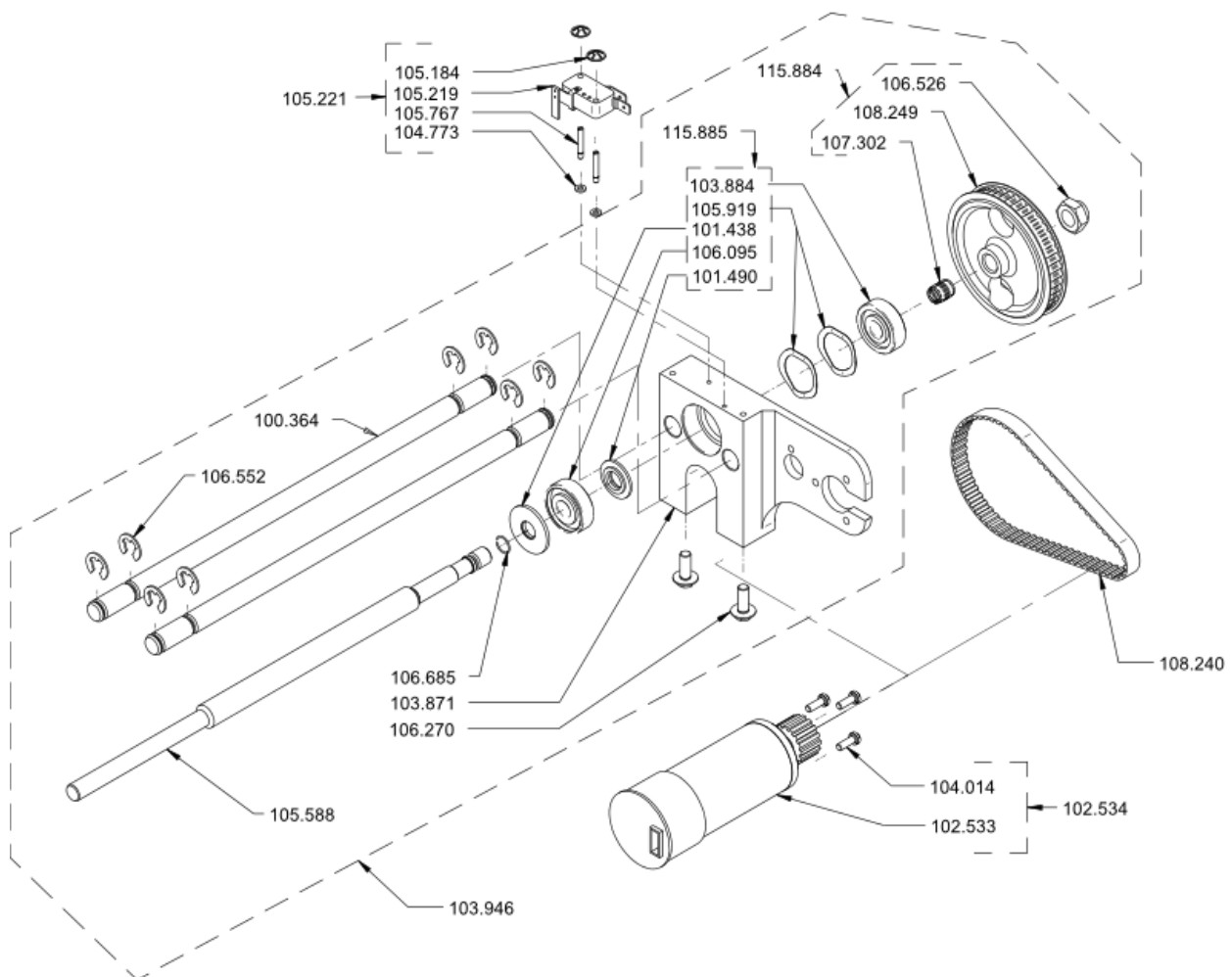
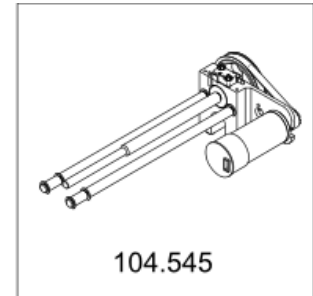
1.15.2 Brew chamber + mobile piston BW2 assy.



1.15.3 Rear block with motor BW2/V901

Article no.	Description	Quantity
100.364	Guide rail	2
101.438	Washer $\varnothing 29/10 \times 2.5$	1
101.490	Spacer	1
102.533	Motor 24V DC	1
102.534	Drive motor 24V DC, assy.	1
103.871	Rear block BW2/Mastrena	1
103.884	Ball bearing	1
103.946	Rear block & drive shaft, assembly	1
104.014	Oval head Phillips combi screw M4x12	3
104.773	Nylon washer	2
105.184	Quicklock $\varnothing 3$	2
105.219	Reset micro switch	1
105.221	Reset micro switch, assembly	1
105.588	Drive screw 14x4	1
105.767	Slotted set screw M3x20	2
105.919	Spring washer $\varnothing 30/22 \times 0.3$	2
106.095	Axial bearing	1
106.270	Hexagonal head screw M6x16	2
106.526	Prevailing torque hex nut M10	1
106.552	Lock washer $\varnothing 8$ for shaft	8
106.685	Snap ring for shaft $\varnothing 10$	1
107.302	Drive sleeve $\varnothing 10 \times 12$	1
108.240	Toothed belt 10-T5 / 340-PAZ	1
108.249	Toothed pulley wheel 48T	1
115.884	Pulley wheel 48 teeth T5 with nut	1
115.885	Ball bearing kit rear block	1

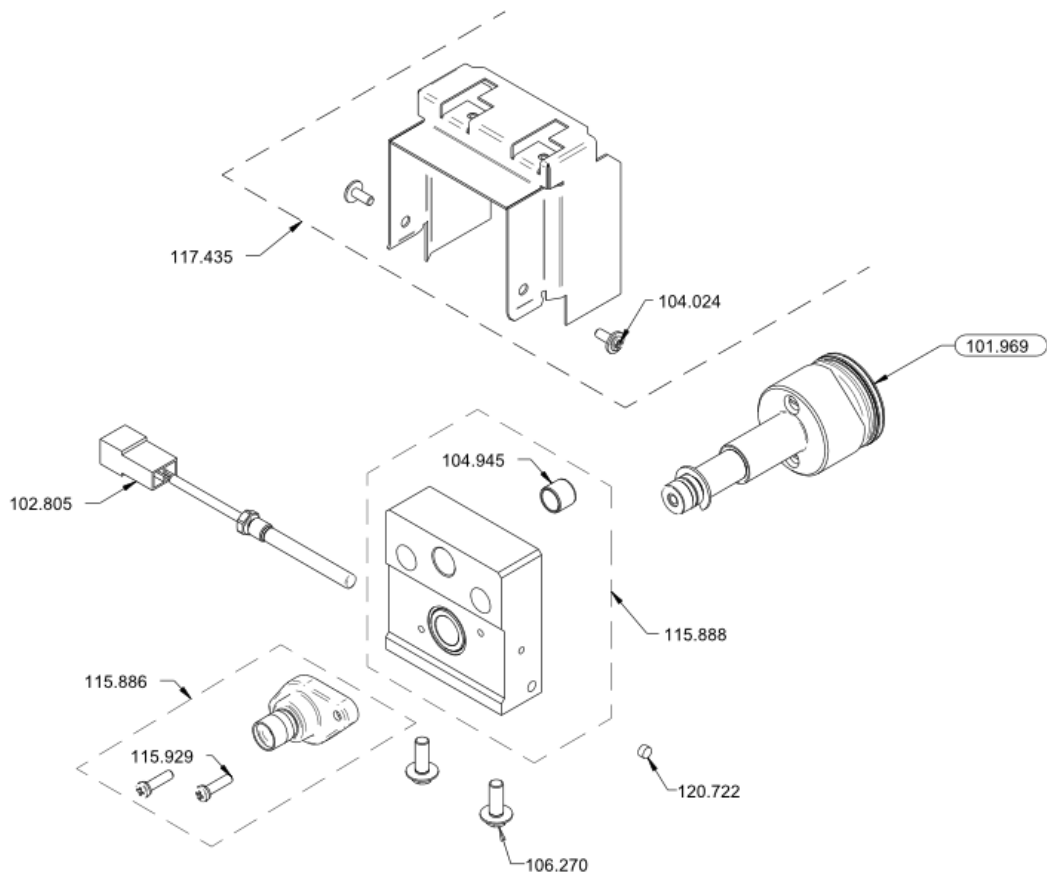
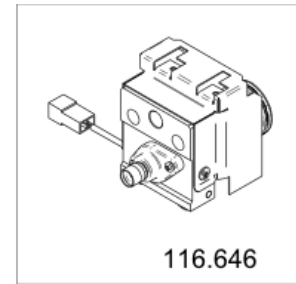
1.15.3 Rear block with motor BW2/V901



1.15.4 Front block BW3 assy.

Article no.	Description	Quantity
101.969	Fix piston BW2/3 assy.	1
102.805	Heating element 19W, assembly	1
104.024	Lens head screw M04x10 Phillips	2
104.945	Guide sleeve PAP 1010 P10	1
106.270	Hexagonal head screw M6x16	2
115.886	Coffee hose connection/ front block	1
115.888	Front block pre assembly	1
115.929	Screw Phillips M04x16 combi	2
117.435	Protect. sheet block BW2v2/BW3	1
120.722	Cartridge seal \varnothing 5.3	1

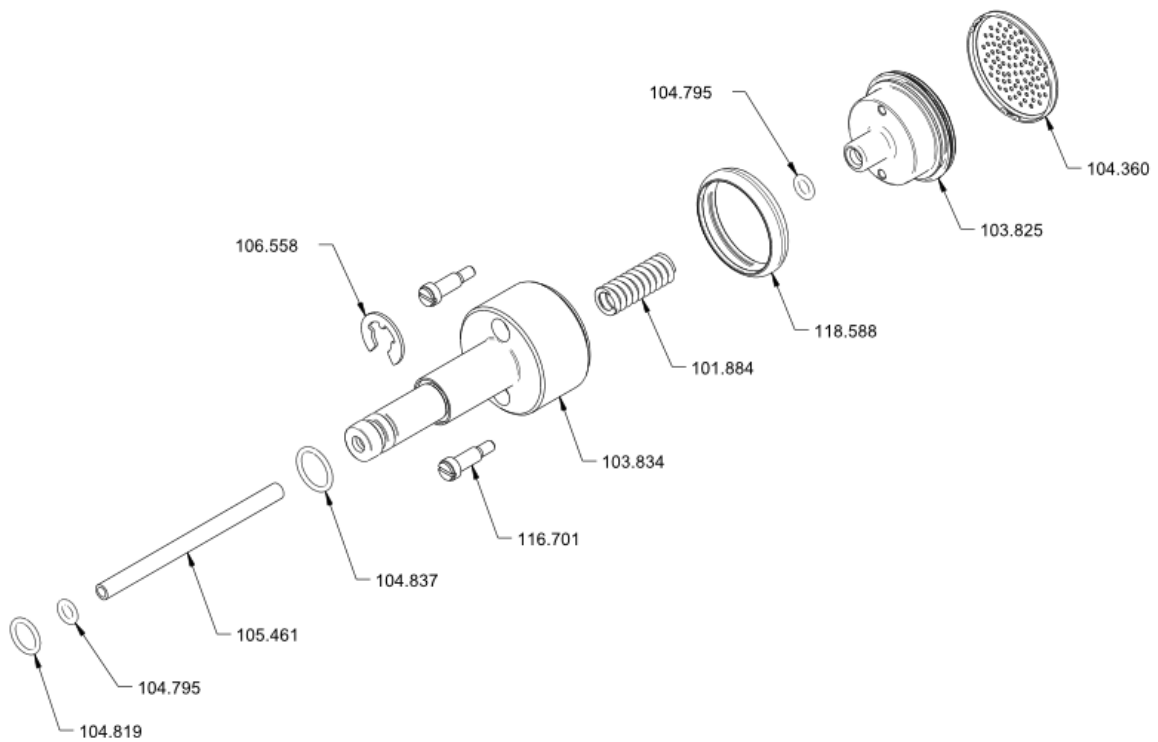
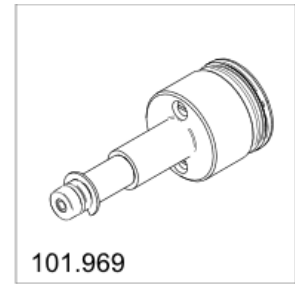
1.15.4 Front block BW3 assy.



1.15.4.1 Fix piston BW2/3 assy.

Article no.	Description	Quantity
101.884	Spring $\varnothing 11/2 \times 36$	1
103.825	Piston head for piston	1
103.834	Piston body for piston V2	1
104.360	Filter with clip	1
104.795	O-Ring 6.07x1.78 FKM	2
104.819	O-Ring 10.82x1.78 VMQ	1
104.837	O-Ring 14.00x1.78 FKM	1
105.461	FEP pipe $\varnothing 6/4 \times 88$ mm	1
106.558	Lock washer $\varnothing 10$ for shaft	1
116.701	Spacer Screw M4	2
118.588	Cuff fix piston	1

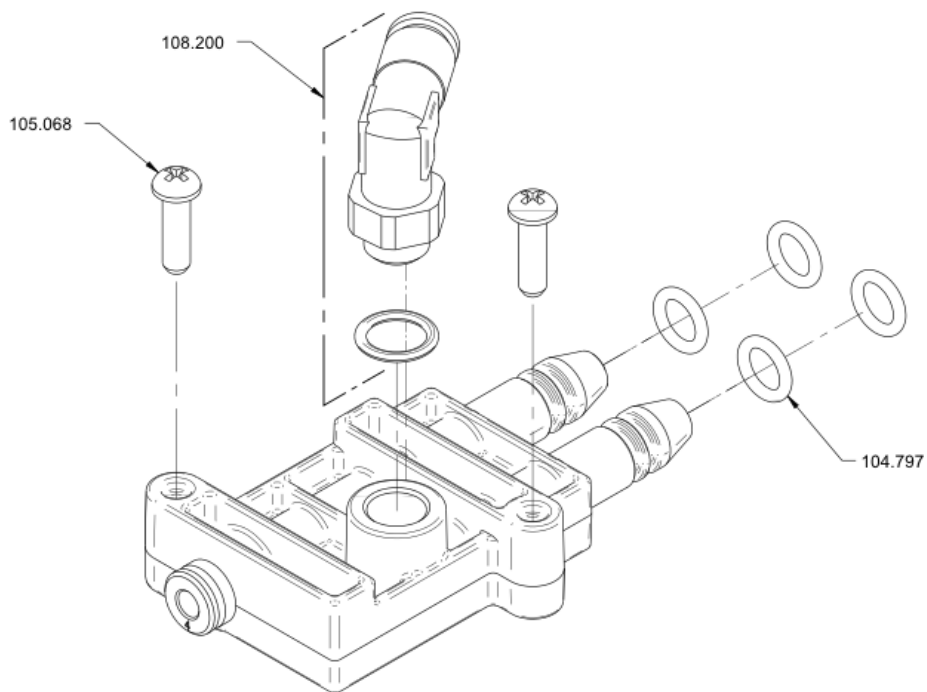
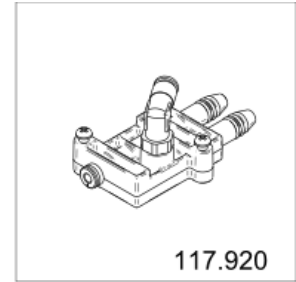
1.15.4.1 Fix piston BW2/3 assy.



1.15.5 Hydr. plug connector mecha 2 way assy.

Article no.	Description	Quantity
104.797	O-Ring 6.75x1.78 FKM	4
105.068	PT Phillips screw KA40x14	2
108.200	Elbow connector 930QF-4FF-1/8-S9	1

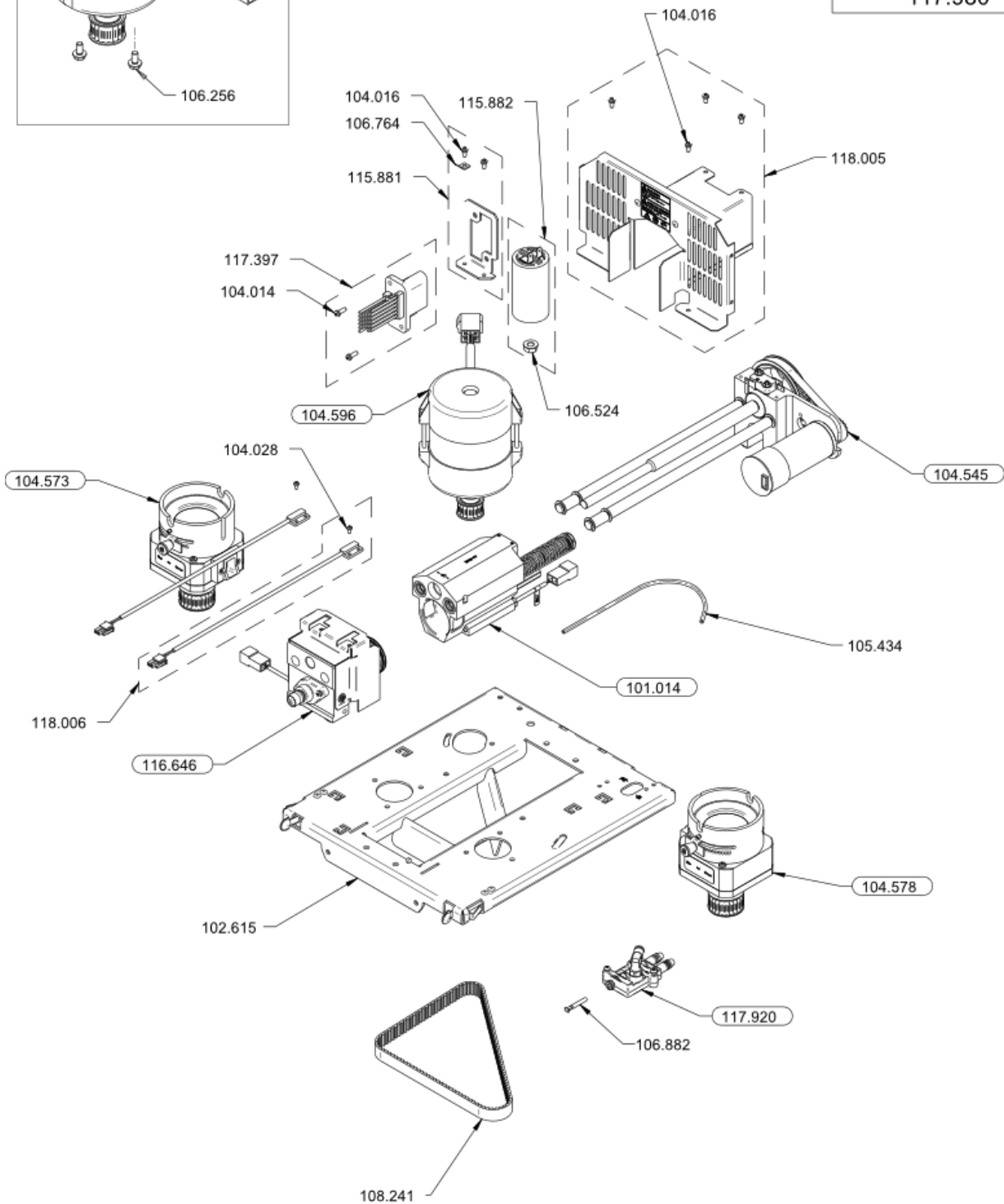
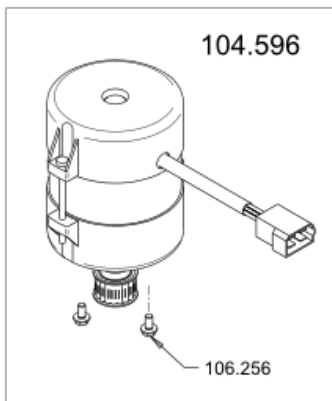
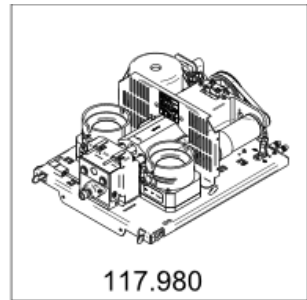
1.15.5 Hydr. plug connector mecha 2 way assy.



1.16 Mech. Modul M2 BW2/BW3v3 assy.

Article no.	Description	Quantity
101.014	Brew chamber + mobile piston BW2 assy.	1
102.615	Mechanical base BW/Mastrena assy.	1
104.014	Oval head Phillips combi screw M4x12	2
104.016	Oval head Phillips combi screw M4x8	4
104.016	Oval head Phillips combi screw M4x8	2
104.028	Phillips screw M3x6	1
104.545	Rear block with motor BW2/V901	1
104.573	Left grinder ceramic BW2/BW3, assy.	1
104.578	Right grinder ceramic BW2/BW3, assy.	1
104.596	Grinder motor BW2 / Mastrena assy.	1
105.434	FEP pipe $\varnothing 4/2 \times 298$ mm	1
106.256	Hexagon head cap screw M5x10 with ripped	2
106.524	Lock nut M8 Serpress	1
106.764	Grounding connector 45° M4	1
106.882	Peg $\varnothing 4$ mm	1
108.241	Toothed belt 600-RPP5M-15	1
115.881	Set fixation 25 pole connector mechanic	1
115.882	Capacitor 450V/16 μ F with nut	1
116.646	Front block BW3 assy.	1
117.397	Wiring harness mech. BW2v2/BW3 with screws	1
117.920	Hydr. plug connector mecha 2 way assy.	1
118.005	Protection sheet mechanic BW2/BW3v3 set	1
118.006	Reed switch BW2/BW3v3 set	2

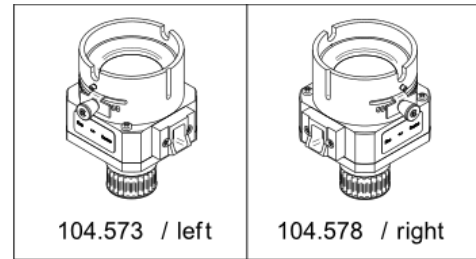
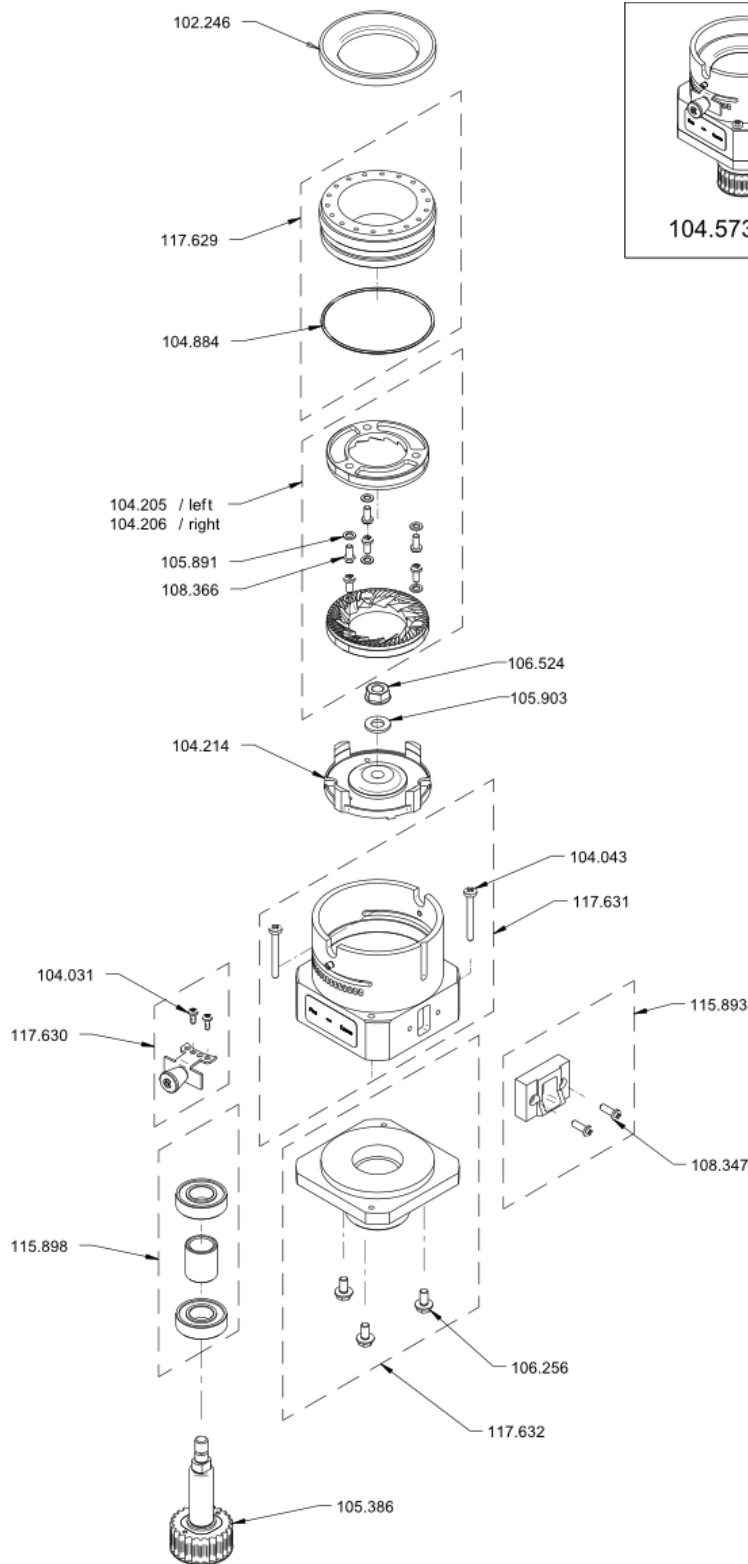
1.16 Mech. Modul M2 BW2/BW3v3 assy.



1.16.1 Left grinder ceramic BW2/BW3, assy.

Article no.	Description	Quantity
102.246	Bean guide disc $\varnothing 73 \times 9.5$	1
104.031	Oval head thread forming screw Phi. M3x8	2
104.043	Oval head screw Phillips M4x35	2
104.205	Mill wheel pair ceramic left, assembly	1
104.206	Mill wheel pair ceramic right, assembly	1
104.214	Grinder disk rotating holder	1
104.573	Left grinder ceramic BW2/BW3, assy.	1
104.884	O-Ring 67.00x2.00 NBR	1
105.386	Grinder shaft RPP5, assy.	1
105.891	Flat washer M4/3 4x8x0.8	6
105.903	Washer M8	1
106.256	Hexagon head cap screw M5x10 with ripped	3
106.524	Lock nut M8 Serpress	1
108.347	Phillips screw M4x12	2
108.366	Pozidriv head screw M4x9 Tuflok	6
115.893	Powder channel with screws	1
115.898	Bearing kit for grinder 64mm	1
117.629	Upper burr support BW2/BW3 assy.	1
117.630	Kit pin grinder adjustment	1
117.631	Upper mill body assy.	1
117.632	Lower grinder body set	1

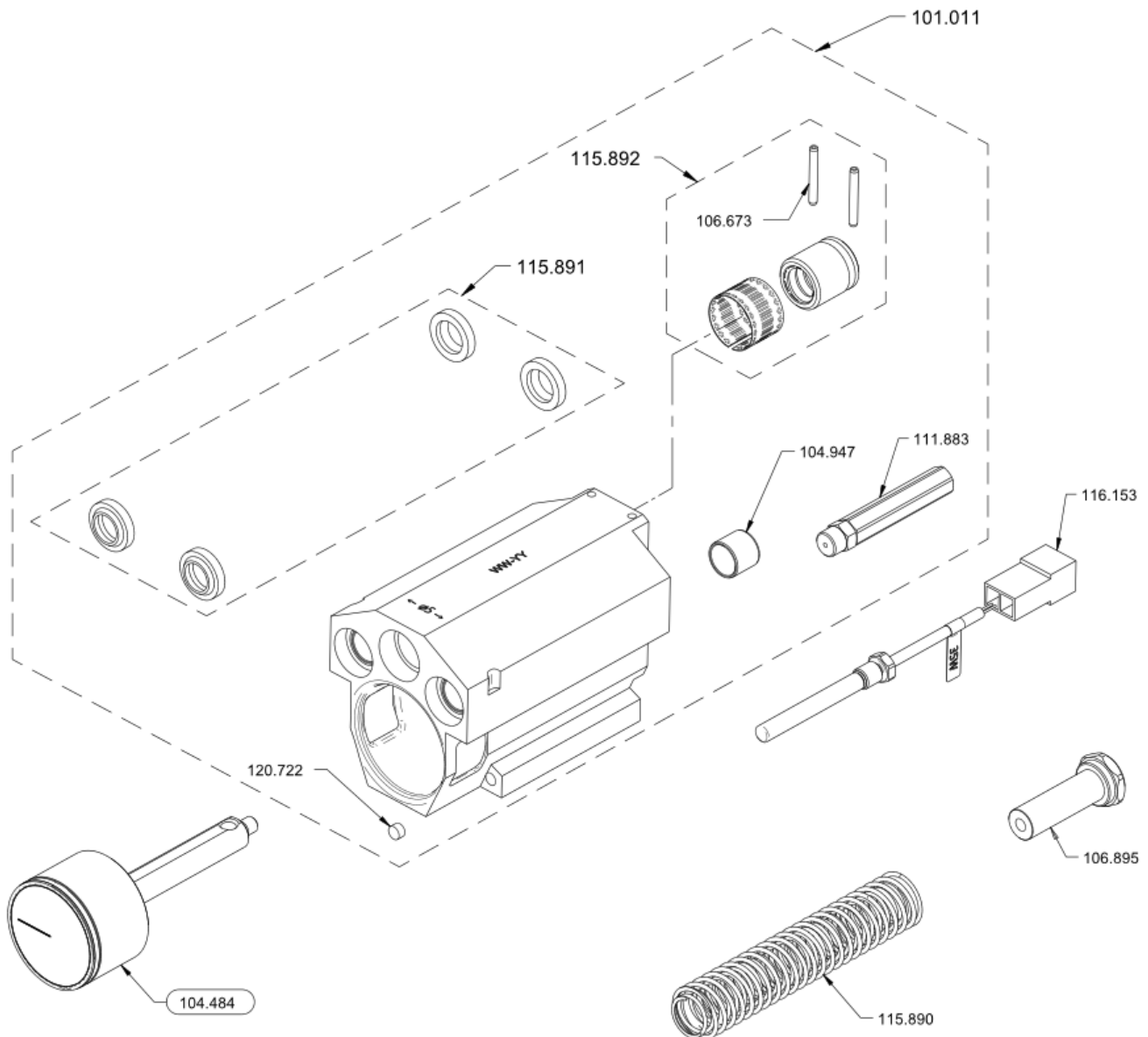
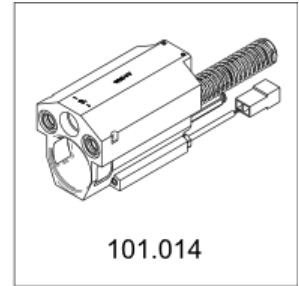
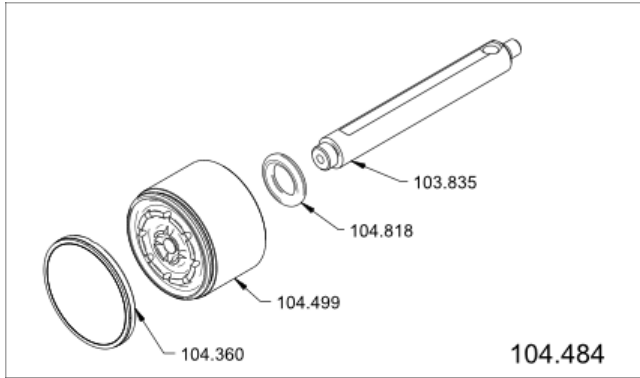
1.16.1 Left grinder ceramic BW2/BW3, assy.



1.16.2 Brew chamber + mobile piston BW2 assy.

Article no.	Description	Quantity
101.011	Brew chamber BW2/Mastrena, assembly	1
103.835	Shaft mobile piston BW2/Mastrena	1
104.360	Filter with clip	1
104.484	Mobile piston, assembly	1
104.499	Mobile piston head PEEK	1
104.818	O-Ring 10.69x3.53 FKM	1
104.947	Guide sleeve P11 PAP 1212	1
106.673	Roll pin \varnothing 3x24	2
106.895	Spring stop	1
111.883	Connection brew chamber	1
115.890	Spring kit brew chamber Mastrena/BW2	1
115.891	Scraper ring set	1
115.892	Kit brew chamber nut Rondo 14x4	1
116.153	Heating cartige 35W/230V assy.	1
120.722	Cartridge seal \varnothing 5.3	1

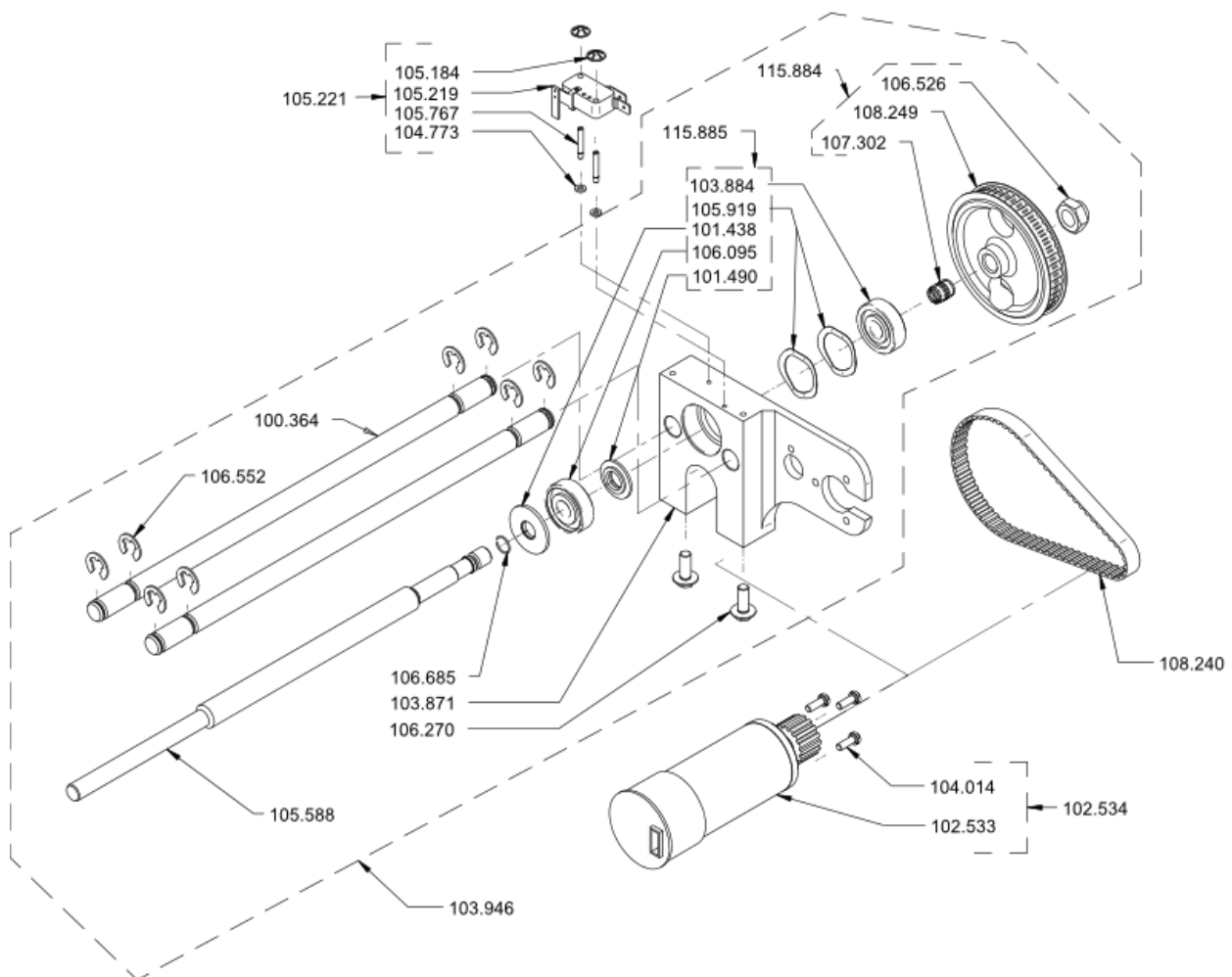
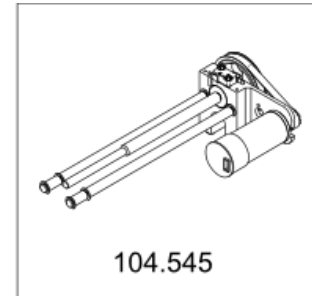
1.16.2 Brew chamber + mobile piston BW2 assy.



1.16.3 Rear block with motor BW2/V901

Article no.	Description	Quantity
100.364	Guide rail	2
101.438	Washer $\varnothing 29/10 \times 2.5$	1
101.490	Spacer	1
102.533	Motor 24V DC	1
102.534	Drive motor 24V DC, assy.	1
103.871	Rear block BW2/Mastrena	1
103.884	Ball bearing	1
103.946	Rear block & drive shaft, assembly	1
104.014	Oval head Phillips combi screw M4x12	3
104.773	Nylon washer	2
105.184	Quicklock $\varnothing 3$	2
105.219	Reset micro switch	1
105.221	Reset micro switch, assembly	1
105.588	Drive screw 14x4	1
105.767	Slotted set screw M3x20	2
105.919	Spring washer $\varnothing 30/22 \times 0.3$	2
106.095	Axial bearing	1
106.270	Hexagonal head screw M6x16	2
106.526	Prevailing torque hex nut M10	1
106.552	Lock washer $\varnothing 8$ for shaft	8
106.685	Snap ring for shaft $\varnothing 10$	1
107.302	Drive sleeve $\varnothing 10 \times 12$	1
108.240	Toothed belt 10-T5 / 340-PAZ	1
108.249	Toothed pulley wheel 48T	1
115.884	Pulley wheel 48 teeth T5 with nut	1
115.885	Ball bearing kit rear block	1

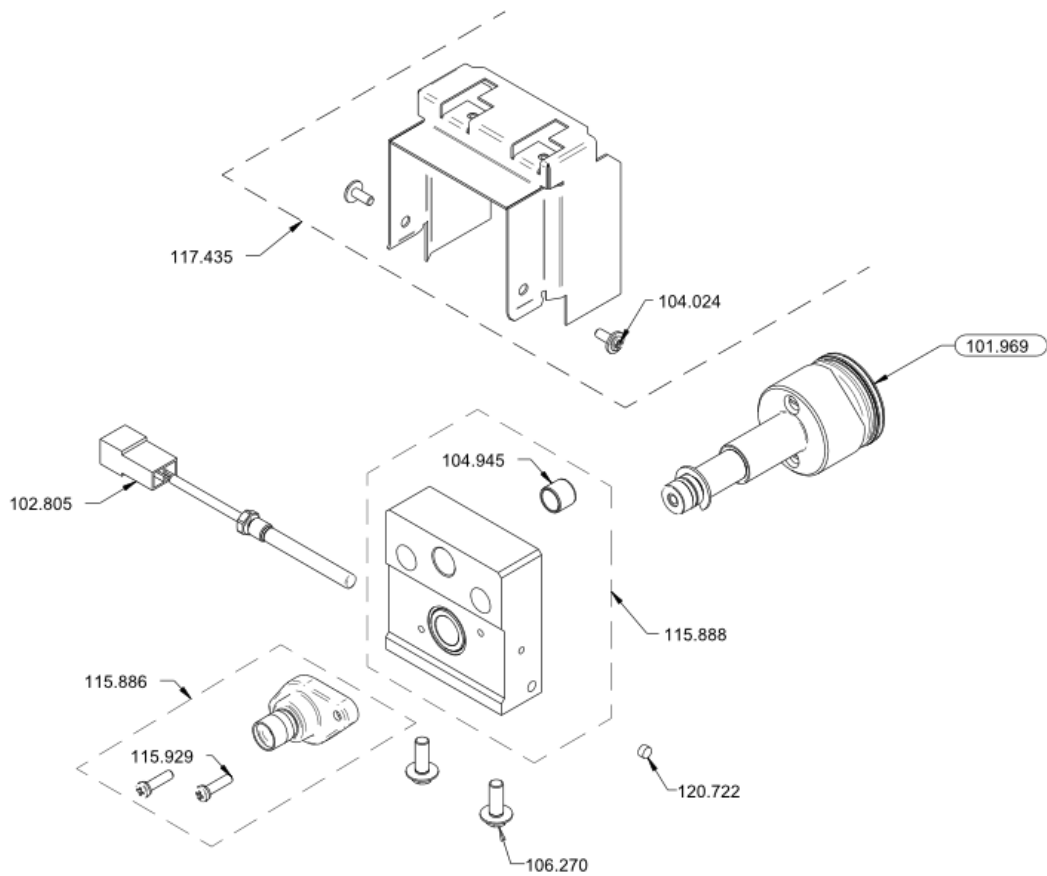
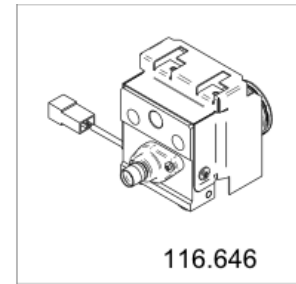
1.16.3 Rear block with motor BW2/V901



1.16.4 Front block BW3 assy.

Article no.	Description	Quantity
101.969	Fix piston BW2/3 assy.	1
102.805	Heating element 19W, assembly	1
104.024	Lens head screw M04x10 Phillips	2
104.945	Guide sleeve PAP 1010 P10	1
106.270	Hexagonal head screw M6x16	2
115.886	Coffee hose connection/ front block	1
115.888	Front block pre assembly	1
115.929	Screw Phillips M04x16 combi	2
117.435	Protect. sheet block BW2v2/BW3	1
120.722	Cartridge seal \varnothing 5.3	1

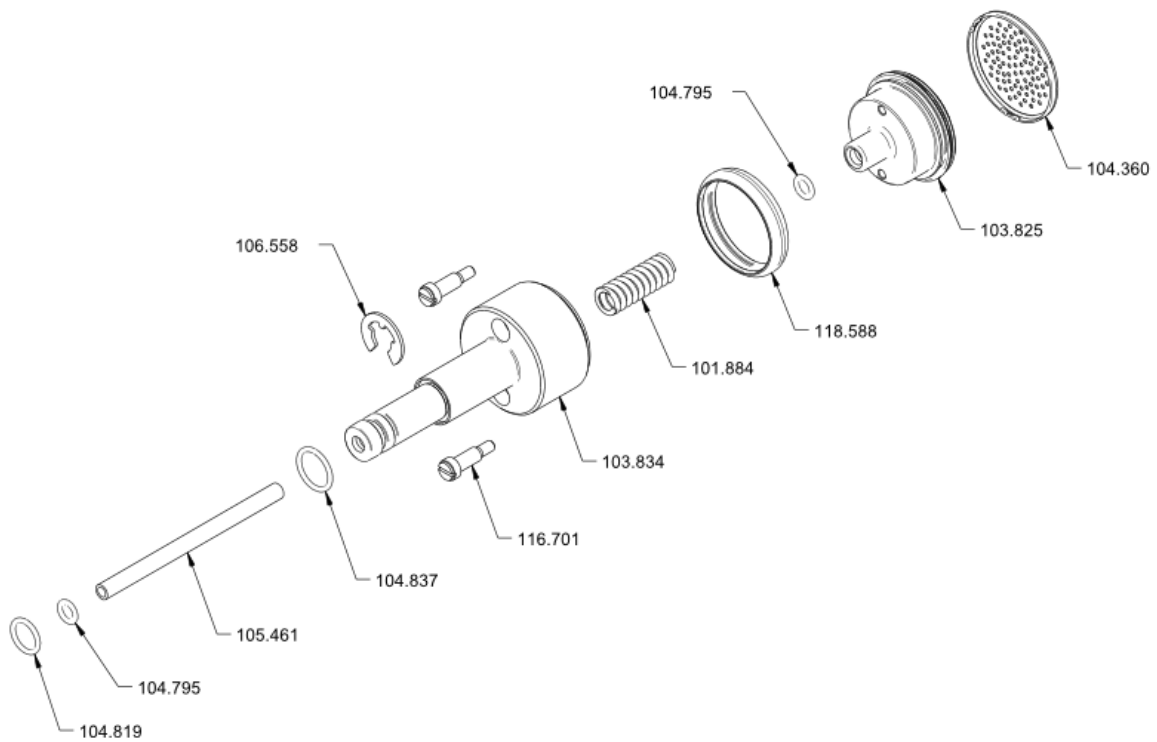
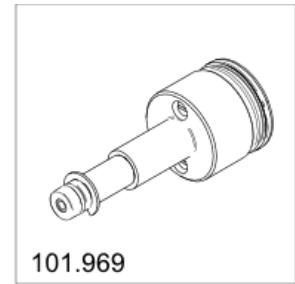
1.16.4 Front block BW3 assy.



1.16.4.1 Fix piston BW2/3 assy.

Article no.	Description	Quantity
101.884	Spring $\varnothing 11/2 \times 36$	1
103.825	Piston head for piston	1
103.834	Piston body for piston V2	1
104.360	Filter with clip	1
104.795	O-Ring 6.07x1.78 FKM	2
104.819	O-Ring 10.82x1.78 VMQ	1
104.837	O-Ring 14.00x1.78 FKM	1
105.461	FEP pipe $\varnothing 6/4 \times 88$ mm	1
106.558	Lock washer $\varnothing 10$ for shaft	1
116.701	Spacer Screw M4	2
118.588	Cuff fix piston	1

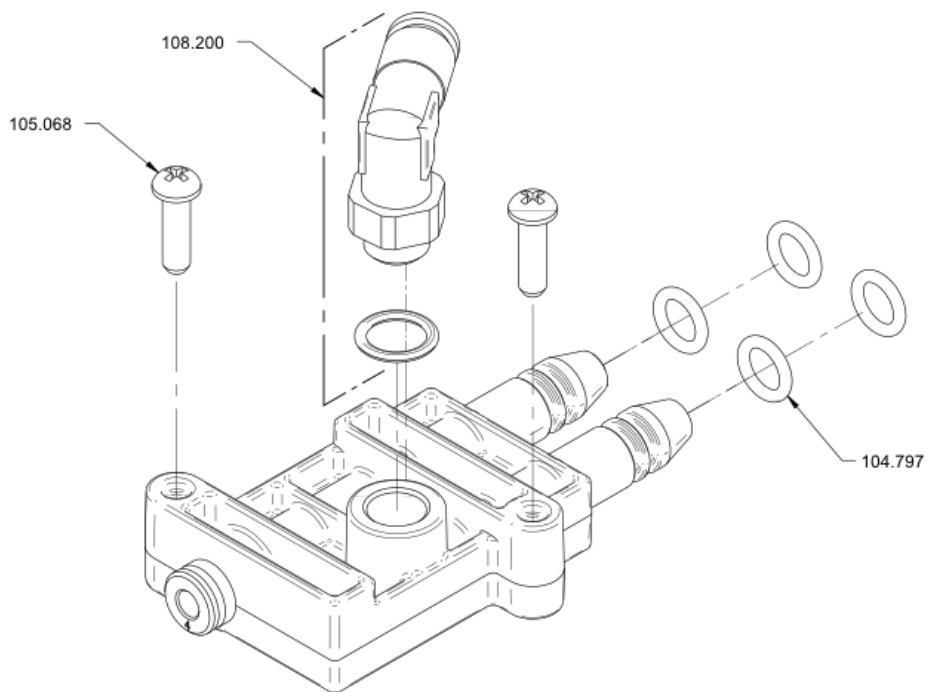
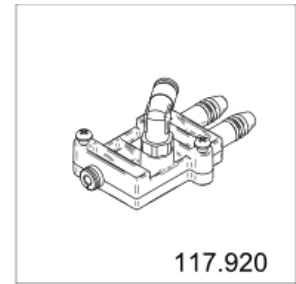
1.16.4.1 Fix piston BW2/3 assy.



1.16.5 Hydr. plug connector mecha 2 way assy.

Article no.	Description	Quantity
104.797	O-Ring 6.75x1.78 FKM	4
105.068	PT Phillips screw KA40x14	2
108.200	Elbow connector 930QF-4FF-1/8-S9	1

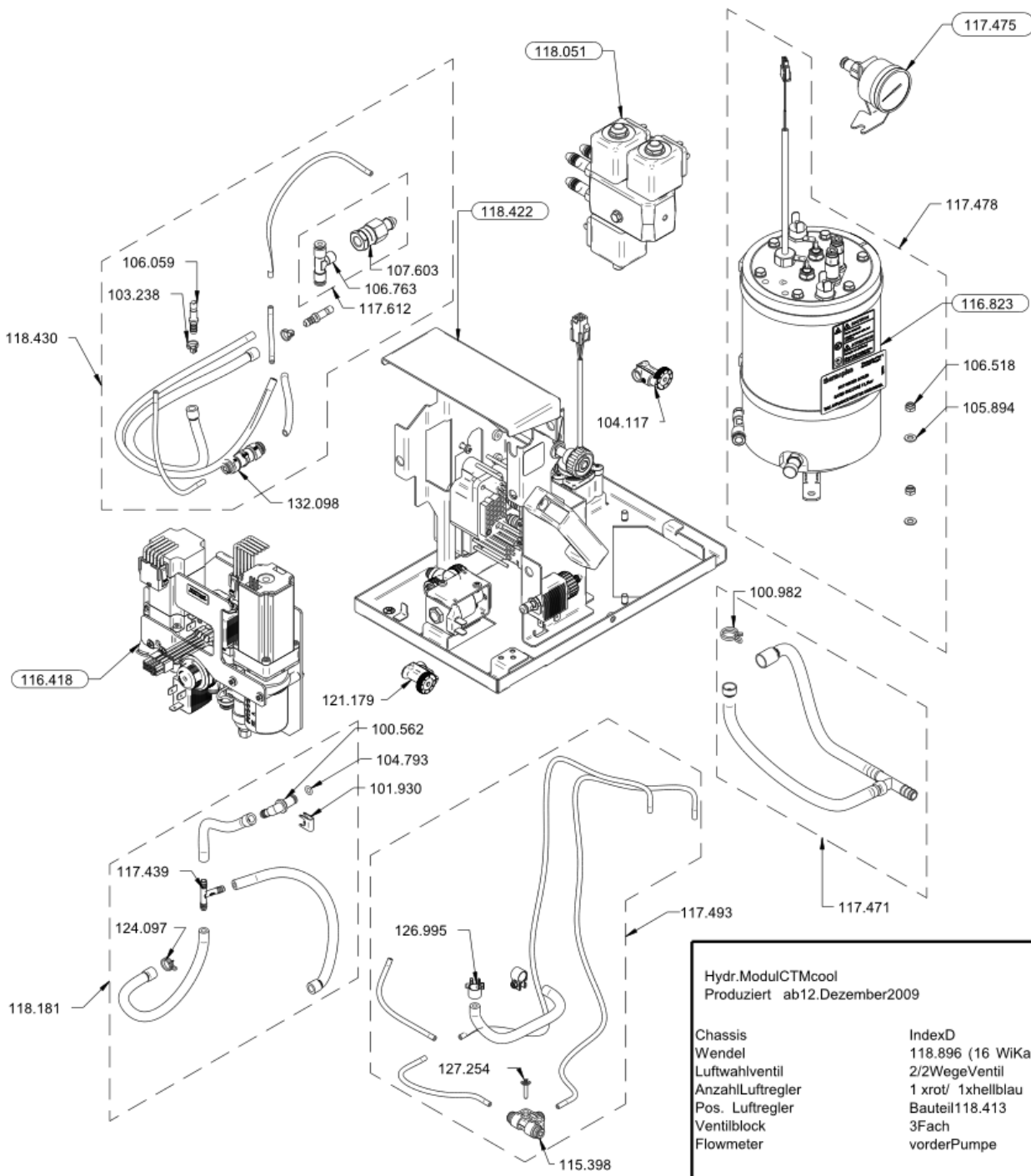
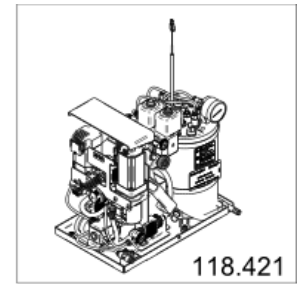
1.16.5 Hydr. plug connector mecha 2 way assy.



1.17 Hyd. Modul CTM 2.5kW BW2/3 assy.

Article no.	Description	Quantity
100.562	Elbow connector	1
100.982	Clip for silicone hose	1
101.930	Spring clip	1
103.238	Cable tie	2
104.117	Air regulator red 0.0mm	1
104.793	O-Ring 5.00x1.50 MVQ	1
105.894	Washer M5	2
106.059	Coupling ø6	2
106.518	Prevailing torque hex nut M5	2
106.763	T-Fitting 941QF-4FF-1/8K-S9	1
107.603	Pressure valve V3 coffee boiler	1
115.398	T-connector 4-4	1
116.418	Pump unit with pressreg. Inox assy.	1
116.823	Coffee boiler CTM BW2/3 assy.	1
117.439	T-Connector (POM) for tube ø4mm	1
117.471	Drain tube Set	1
117.475	Pressure gauge Hyd.Modul BW2v2/BW3 set	1
117.475	Pressure gauge Hyd.Modul BW2v2/BW3 set	1
117.478	Boiler CTM BW2/3 Set	1
117.493	Milk pressure tube Set	1
117.612	Check valve Hyd.Mod. BW2v2/BW3 Set	1
118.051	3 valve block BW2/BW3 set	1
118.181	Air tube BW2v3/BW3v3 set	1
118.422	Frame hydraulic CTM BW2/BW3 assy.	1
118.430	Pressure tube BW2v3 BW3v3 Set	1
121.179	Air regulator blue 0.0mm	1
124.097	Clip for silicone hose ø9.6mm	1
126.995	Clip for silicone hose FIT-Mini ø9mm	2
127.254	Oval head screw Phillips M3x16	1
132.098	Check valve ø6-ø4	1

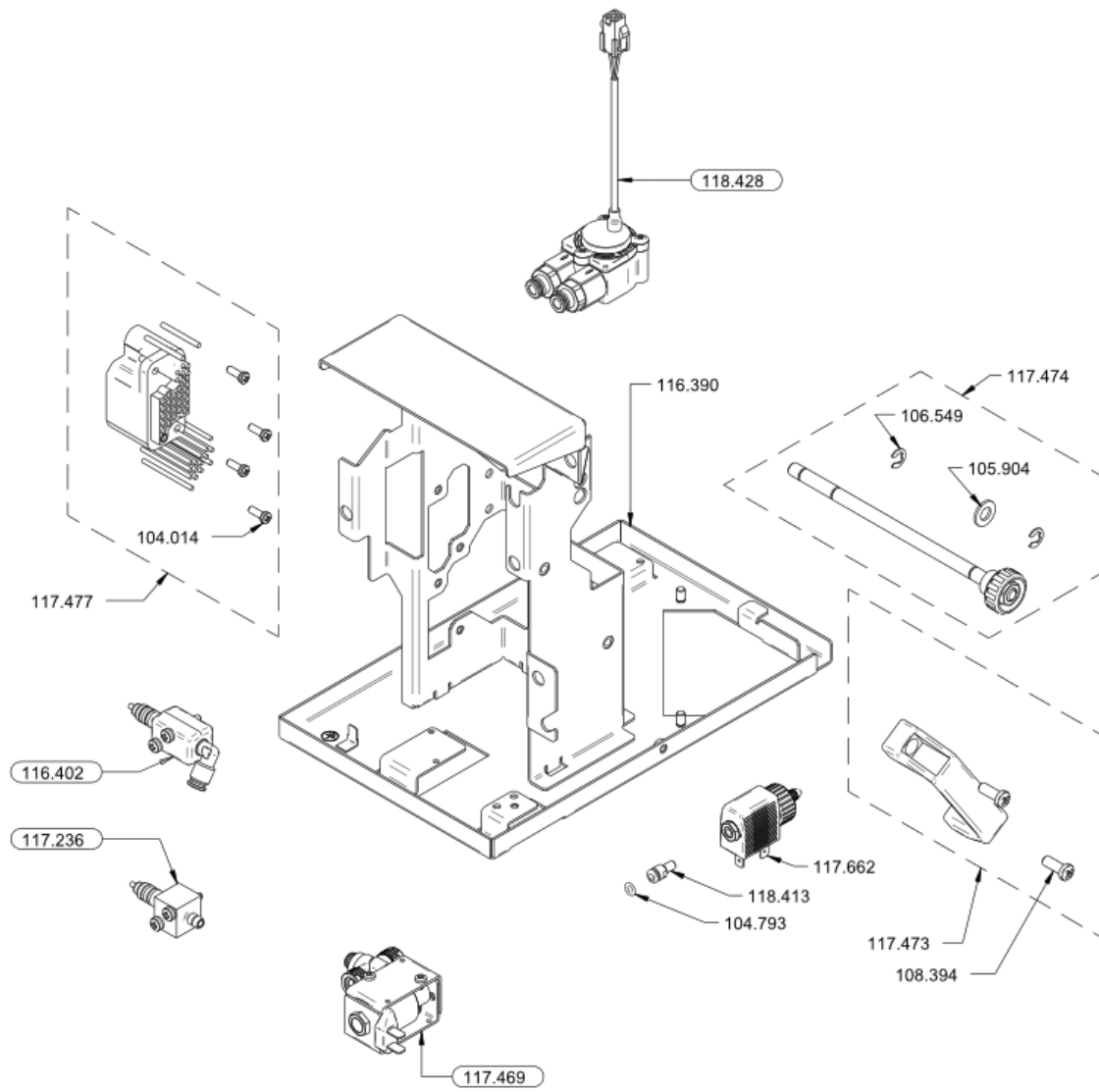
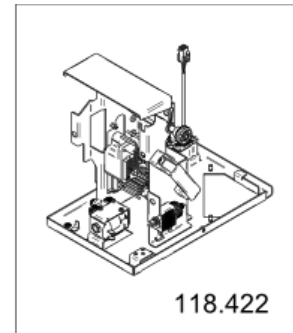
1.17 Hyd. Modul CTM 2.5kW BW2/3 assy.



1.17.1 Frame hydraulic CTM BW2/BW3 assy.

Article no.	Description	Quantity
104.014	Oval head Phillips combi screw M4x12	4
104.793	O-Ring 5.00x1.50 MVQ	1
105.904	Washer M8	1
106.549	Circlip for shaft ø6	2
108.394	Socket flat head screw Phillips M6x16	2
116.390	Hydr. base plate BW2/3	1
116.402	Water entry clip BW2/BW3 assy.	1
117.236	Milk inlet connector BW2/BW3 assy.	1
117.469	Diaphragm valve Hyd.Mod BW2v2/BW3	1
117.473	Handle Set	1
117.474	Mounting Hyd. Mod. BW2v2/BW3 Set	1
117.477	Wiring harness Hyd. Mod. BW2v2/BW3 Set	1
117.662	Air mini-valve	1
118.413	Aircontroler support	1
118.428	prePump Flowmeter Molex	1

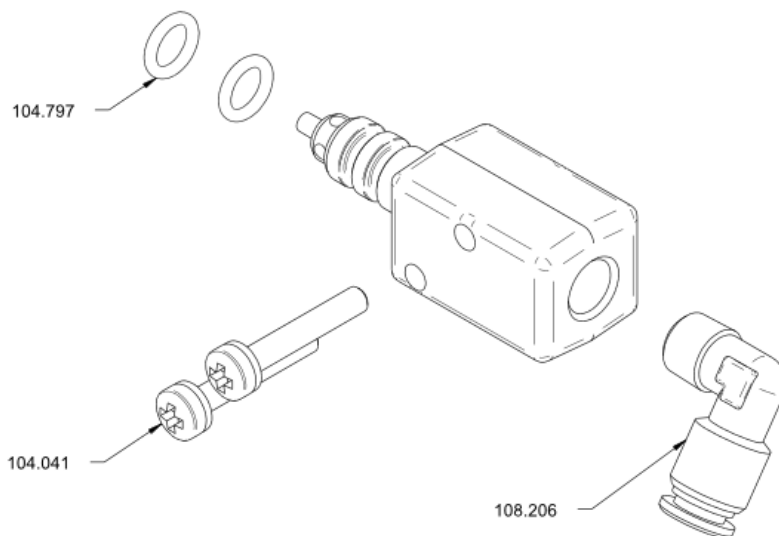
1.17.1 Frame hydraulic CTM BW2/BW3 assy.



1.17.1.1 Water entry clip BW2/BW3 assy.

Article no.	Description	Quantity
104.041	Oval head screw Phillips M4x25	2
104.797	O-Ring 6.75x1.78 FKM	2
108.206	Elbow connector 6-1/8K	1

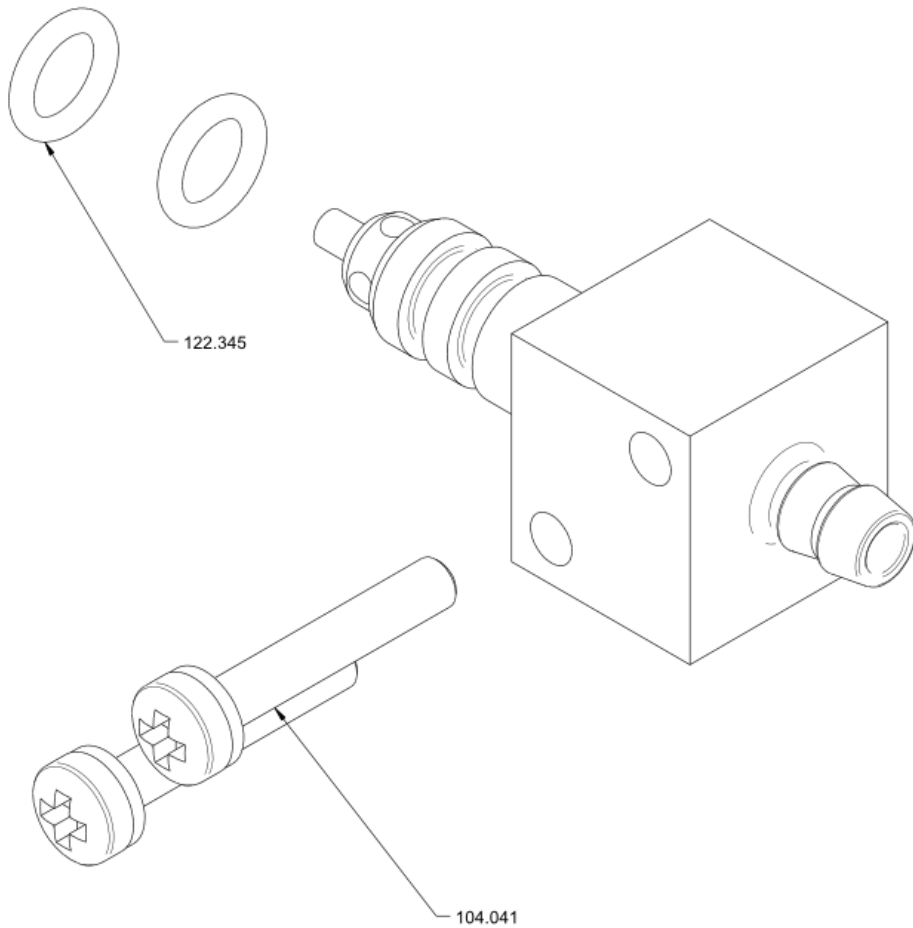
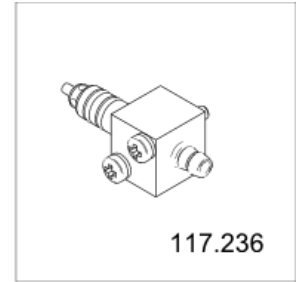
1.17.1.1 Water entry clip BW2/BW3 assy.



1.17.1.2 Milk inlet connector BW2/BW3 assy.

Article no.	Description	Quantity
104.041	Oval head screw Phillips M4x25	2
122.345	O-Ring 6.75x1.78 EPDM	2

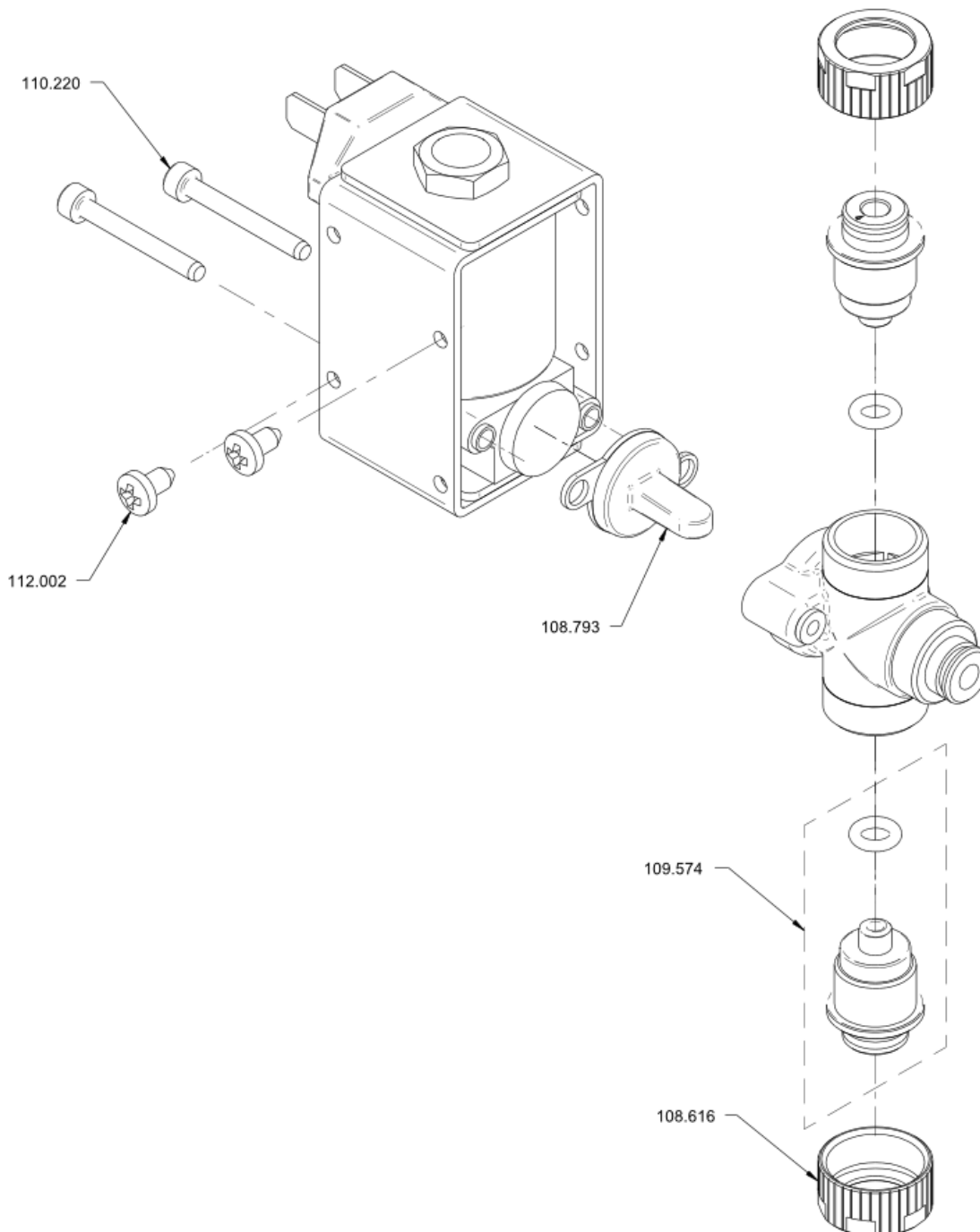
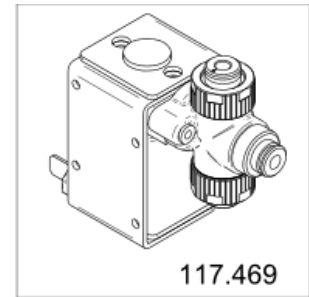
1.17.1.2 Milk inlet connector BW2/BW3 assy.



1.17.1.3 Diaphragm valve Hyd.Mod BW2v2/BW3

Article no.	Description	Quantity
108.616	Grooved nut diaphragm valve	2
108.793	Diaphragma	1
109.574	Insert Valve Magma ø4 with O-ring	2
110.220	Socket head screw M3x25	2
112.002	Phillips sheet screw ST 3.5x6.5	2

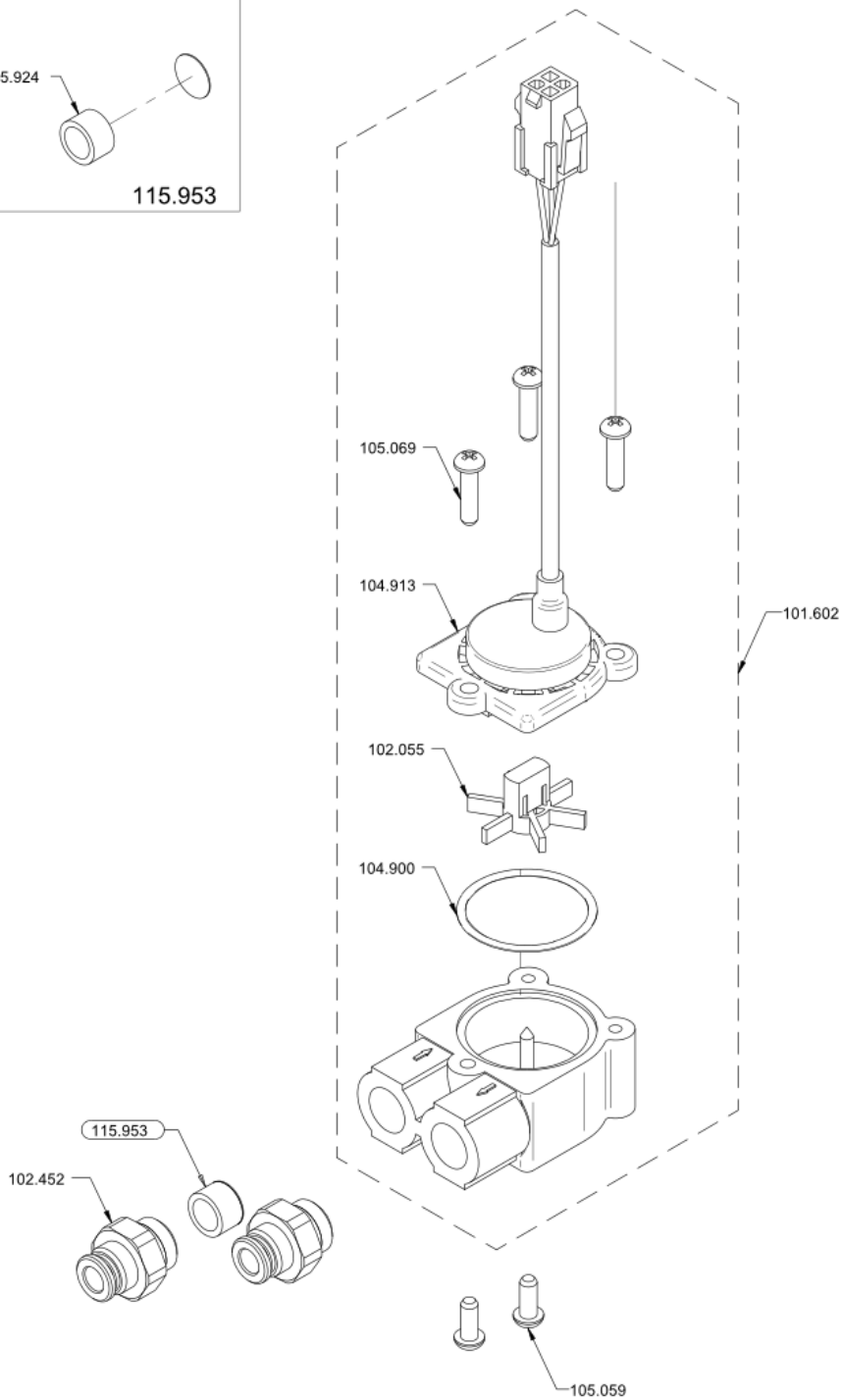
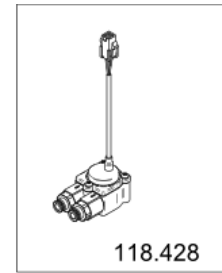
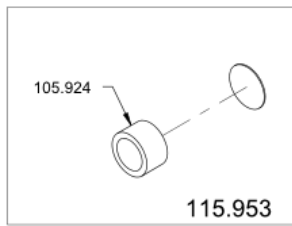
1.17.1.3 Diaphragm valve Hyd.Mod BW2v2/BW3



1.17.1.4 prePump Flowmeter Molex

Article no.	Description	Quantity
101.602	Flow meter Molex assy.	1
102.055	Wheel flowmeter	1
102.452	Straight connection 6-1/4"	2
104.900	O-Ring 28.3x1.78 MVQ	1
104.913	Flow meter head FHK Molex	1
105.059	Oval head PT screw Phillips KA40x10	2
105.069	Oval head PT screw Phillips KA40x16	3
105.924	Sleeve	1
115.953	Water strainer flowmeter	1

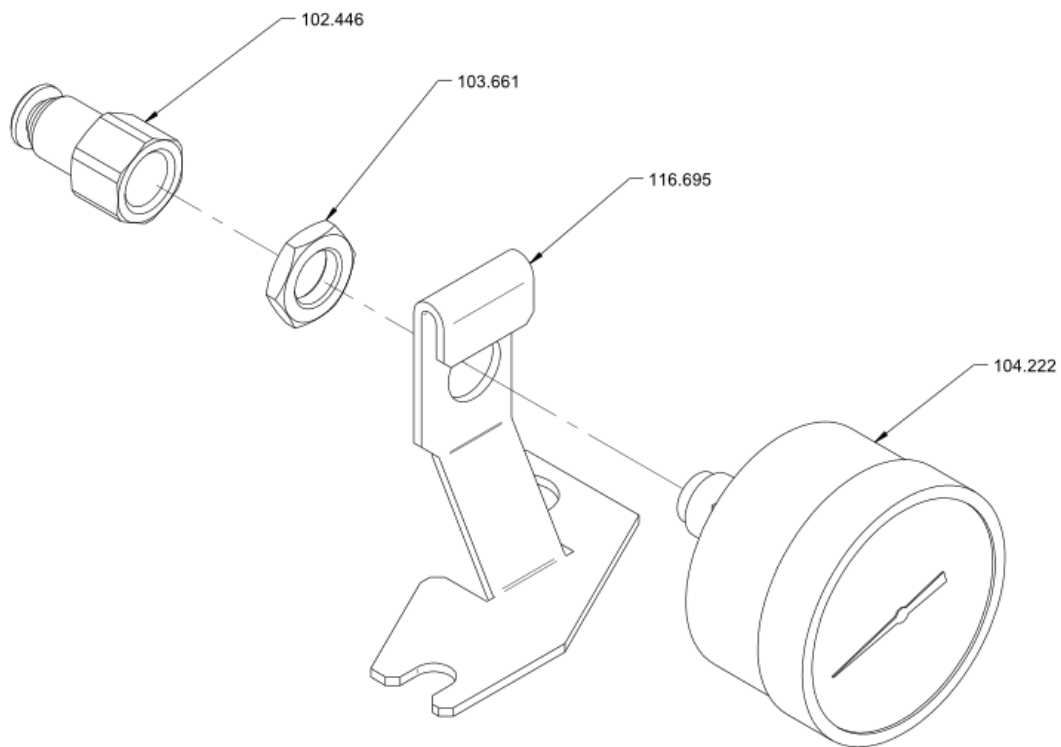
1.17.1.4 prePump Flowmeter Molex



1.17.2 Pressure gauge Hyd.Modul BW2v2/BW3 set

Article no.	Description	Quantity
102.446	Straight fitting 4-1/8"	1
103.661	Nut G1/8"	1
104.222	Manometer, 0 to 16 bar	1
116.695	Sheet support manometer	1

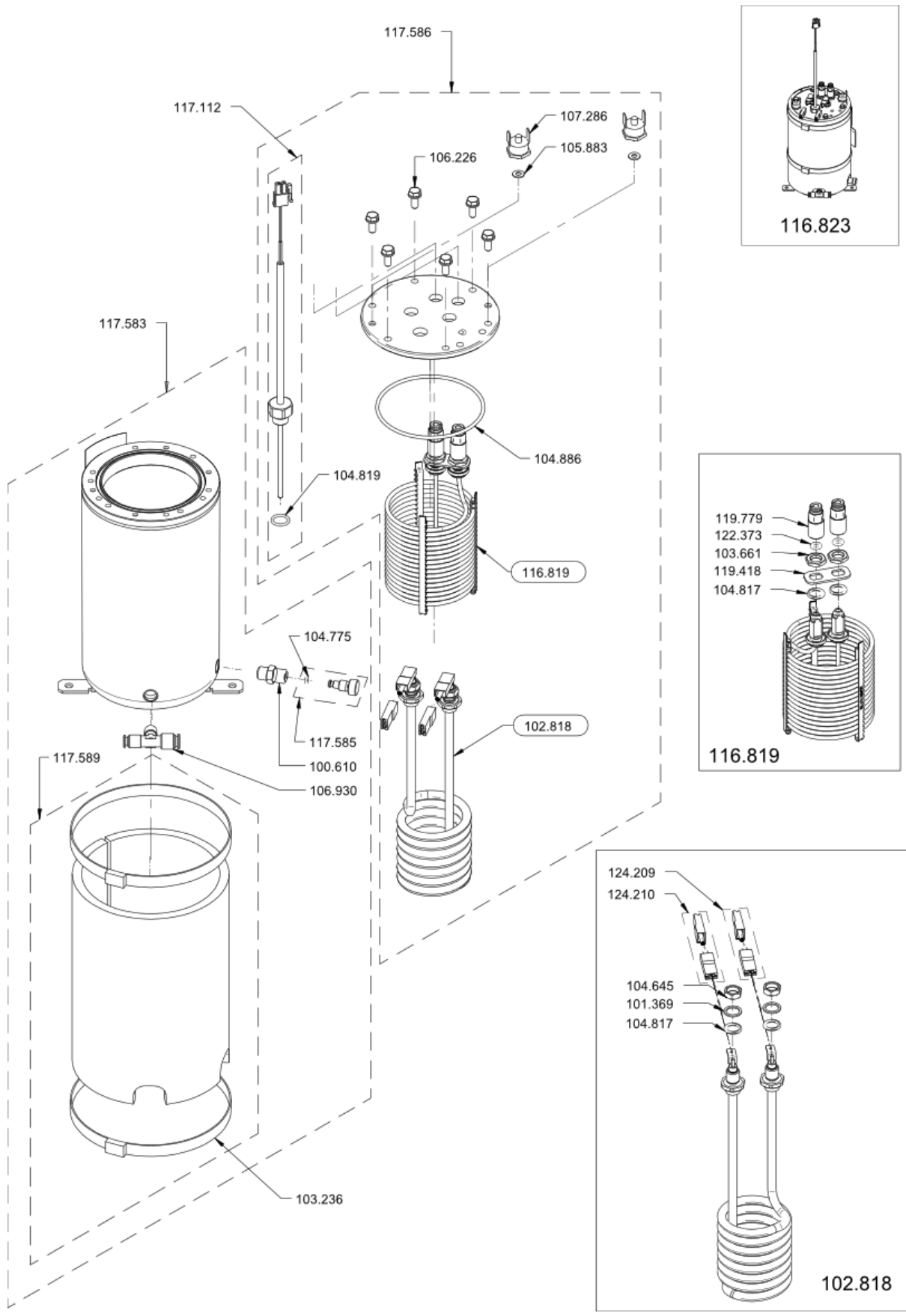
1.17.2 Pressure gauge Hyd.Modul BW2v2/BW3 set



1.17.3 Coffee boiler CTM BW2/3 assy.

Article no.	Description	Quantity
100.610	Drain plug adapter	1
101.369	Seal ø13/10x1 for heating element	2
102.818	Heating element 2.5KW, assembly	1
103.236	Cable tie 550x8.9	2
103.661	Nut G1/8"	2
104.645	Nut for boiler heating	2
104.775	O-Ring 2.90x1.78 FKM	1
104.817	O-Ring 9.00x2.00 EPDM	2
104.817	O-Ring 9.00x2.00 EPDM	2
104.819	O-Ring 10.82x1.78 VMQ	1
104.886	O-Ring 78.00x2.50 EPDM	1
105.883	Flat washer M4	2
106.226	Hexagon head cap screw M5x12	6
106.930	T-fitting 921QF-6-4FF-1/8K-S9	1
107.286	Thermal security 125°C HM	2
116.819	Milk heating coil 16Wi. cramp assy	1
117.112	NTC Sensor Boiler	1
117.583	Coffee boiler BW2/3 with insulation	1
117.585	Drain plug Set	1
117.586	Heating coffee CTM BW2/3 assy.	1
117.589	Isolating coffee boiler BW2v2/BW3 Set	1
119.418	Safety sheet	1
119.779	Coil connection assy.	2
122.373	O-Ring 5.28x1.78 EPDM	2
124.209	Connect. cable blue 2.5kW	1
124.210	Connect. cable red 2.5kW	1

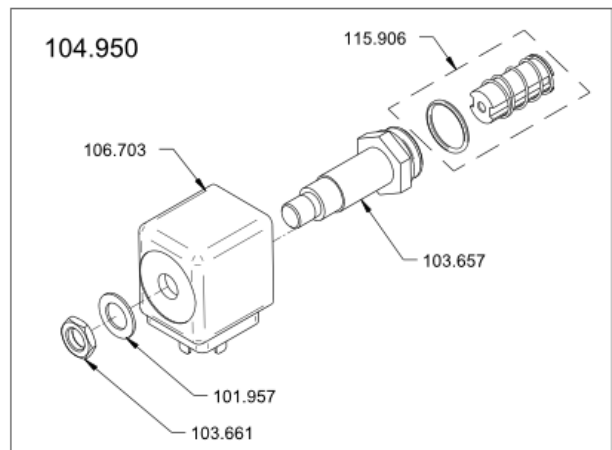
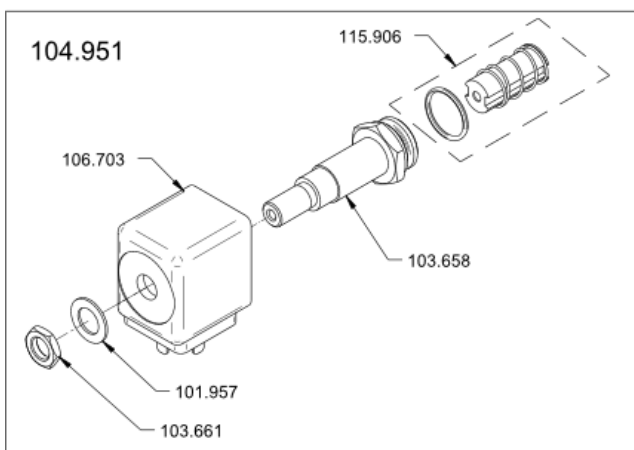
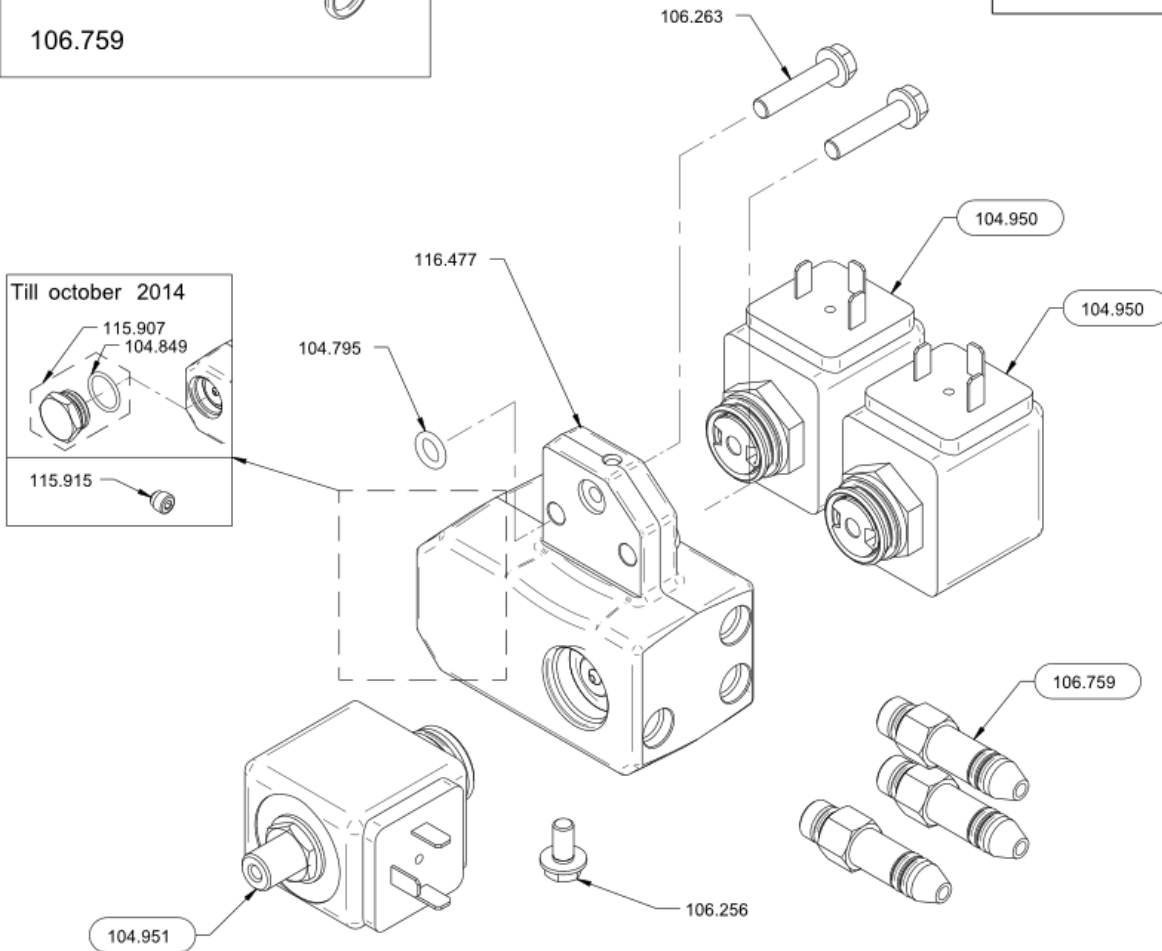
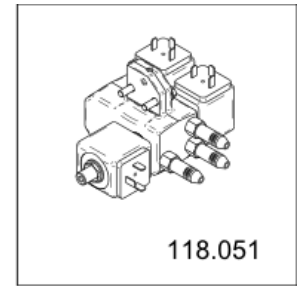
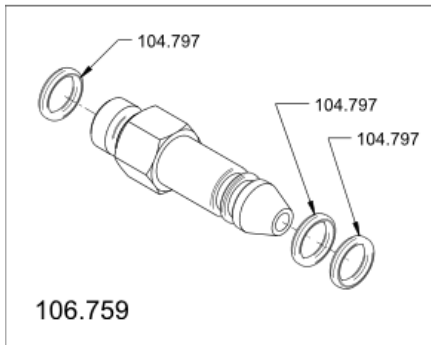
1.17.3 Coffee boiler CTM BW2/3 assy.



1.17.4 3 valve block BW2/BW3 set

Article no.	Description	Quantity
101.957	Springwasher valve	1
101.957	Springwasher valve	1
103.657	Plunger guide Lucifer 2-way	1
103.658	Plunger guide Lucifer 3-way	1
103.661	Nut G1/8"	1
103.661	Nut G1/8"	1
104.795	O-Ring 6.07x1.78 FKM	1
104.797	O-Ring 6.75x1.78 FKM	3
104.849	O-Ring 17.17x1.78 FKM	1
104.950	Pilot valve 2/2 \varnothing 1.5/2.5mm plunger	2
104.951	Pilot valve 3/2 \varnothing 1.5/2.5mm	1
106.256	Hexagon head cap screw M5x10 with ripped	1
106.263	Hexagon head cap screw M5x25	2
106.703	Coil for Lucifer valve	1
106.759	Hydr. plug pin G1/8, assy.	3
115.906	Plunger kit Parker Lucifer	1
115.906	Plunger kit Parker Lucifer	1
115.907	Screw valve seat with seal	1
115.915	Plug G 1/8 hex. socket	1
116.477	Base 3 valve block BW2/BW3 assy.	1

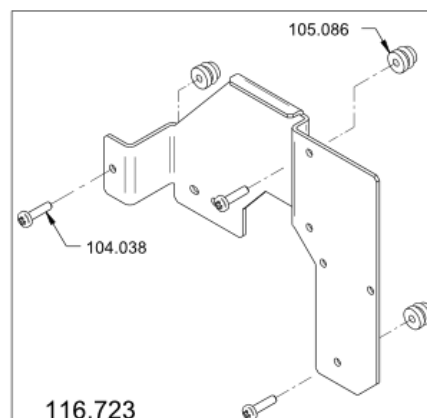
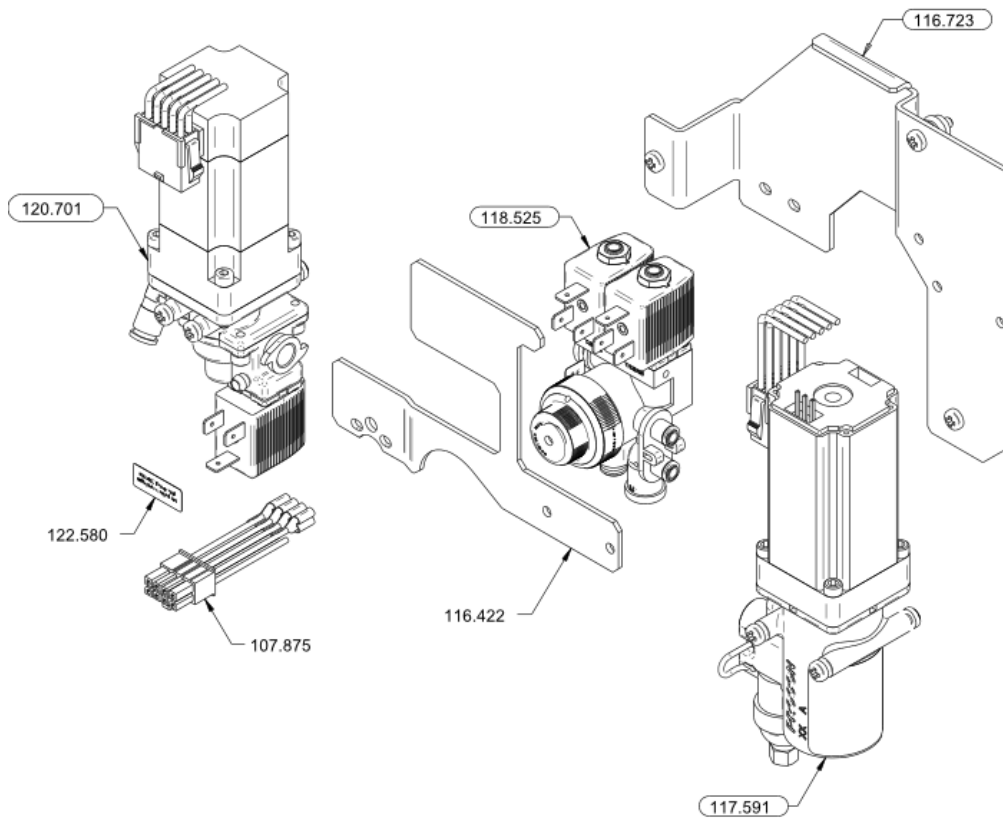
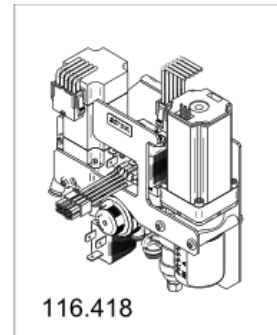
1.17.4 3 valve block BW2/BW3 set



1.17.5 Pump unit with pressreg. Inox assy.

Article no.	Description	Quantity
104.038	Oval head screw Phillips M4x16	3
105.086	Rubber mounting bush M4	3
107.875	Extension wiring harness milk	1
116.422	Sheet reinforcement BW2/BW3, BWone	1
116.723	Support for pump BW2/BW3 assy.	1
117.591	Micro pump set	1
118.525	Cleaning block without purge valve assy.	1
120.701	Milk pump Inox set	1
122.580	Sticker P-unit BW3 with pressregulator	1

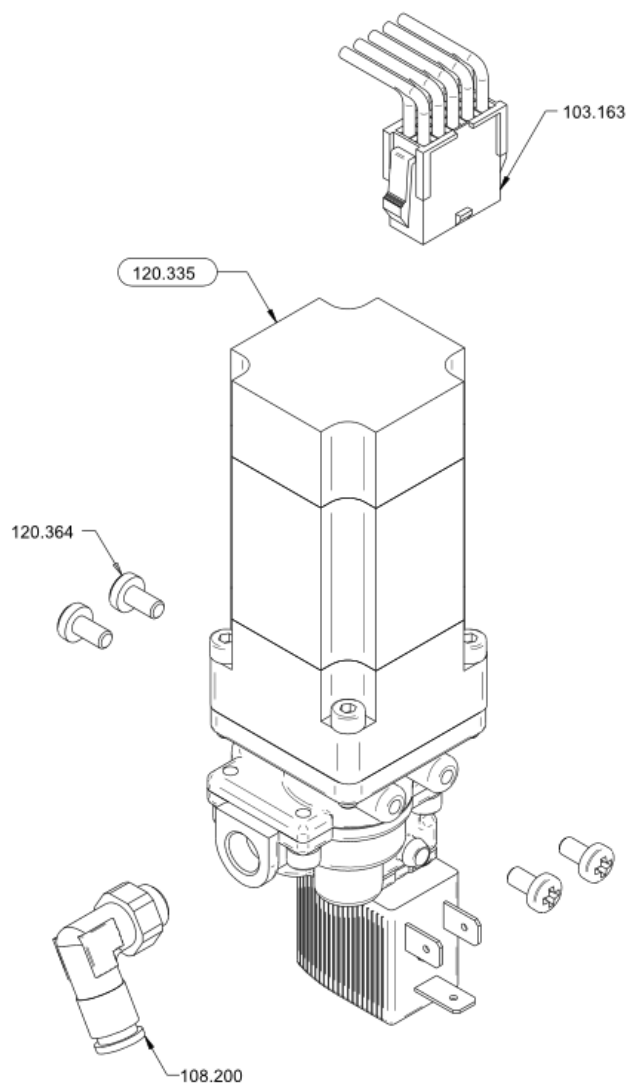
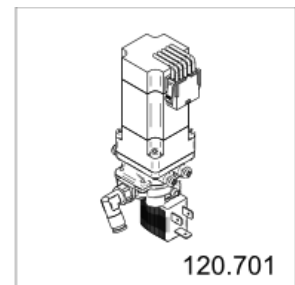
1.17.5 Pump unit with pressreg. Inox assy.



1.17.5.1 Milk pump Inox set

Article no.	Description	Quantity
103.163	Wiring harness DC-motor	1
108.200	Elbow connector 930QF-4FF-1/8-S9	1
120.335	Milk Pump inox with motor assy.	1
120.364	Screw Phillips M4x8 Tuflok	4

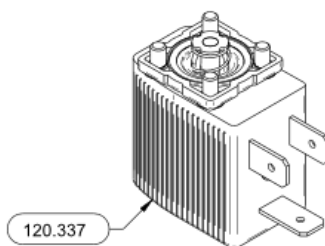
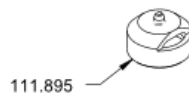
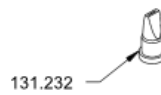
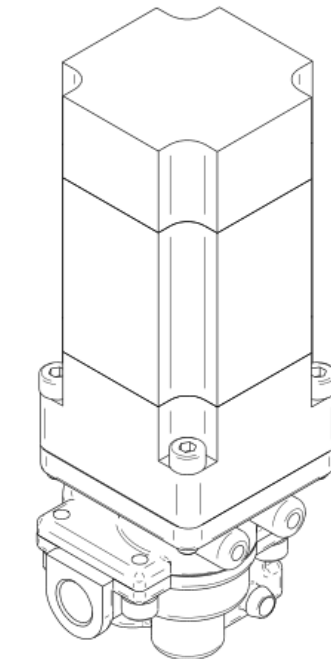
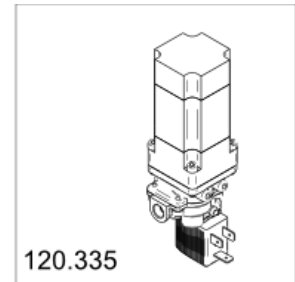
1.17.5.1 Milk pump Inox set



1.17.5.1.1 Milk Pump inox with motor assy.

Article no.	Description	Quantity
111.895	Support duckbill	1
120.337	3/2 mini solenoid valve, assy.	1
121.409	Nozzle to milk pump PEEK	1
131.232	Check valve duckbill light blue	1

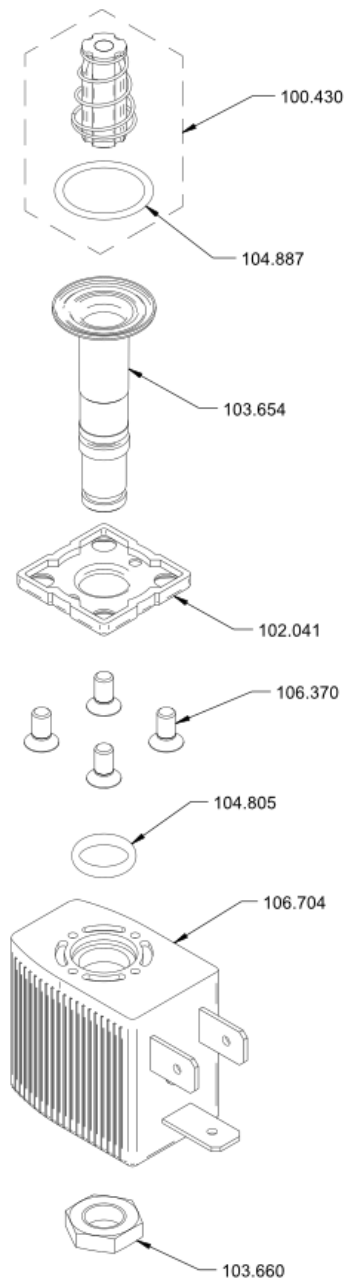
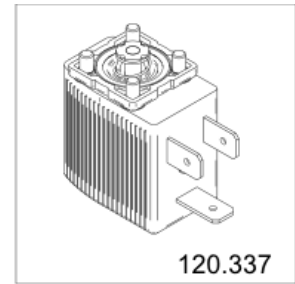
1.17.5.1.1 Milk Pump inox with motor assy.



1.17.5.1.1.1 3/2 mini solenoid valve, assy.

Article no.	Description	Quantity
100.430	Set 3/2 valve plunger with gasket	1
102.041	Flange for mini-valve	1
103.654	Plunger guide 3/2 ways mini-valve	1
103.660	Nut for mini-valve	1
104.805	O-Ring 7.50x1.50 EPDM	1
104.887	O-Ring 13.00x1.30 EPDM	1
106.370	Countersunk screw M3x6 Torx	4
106.704	Coil for mini-valve	1

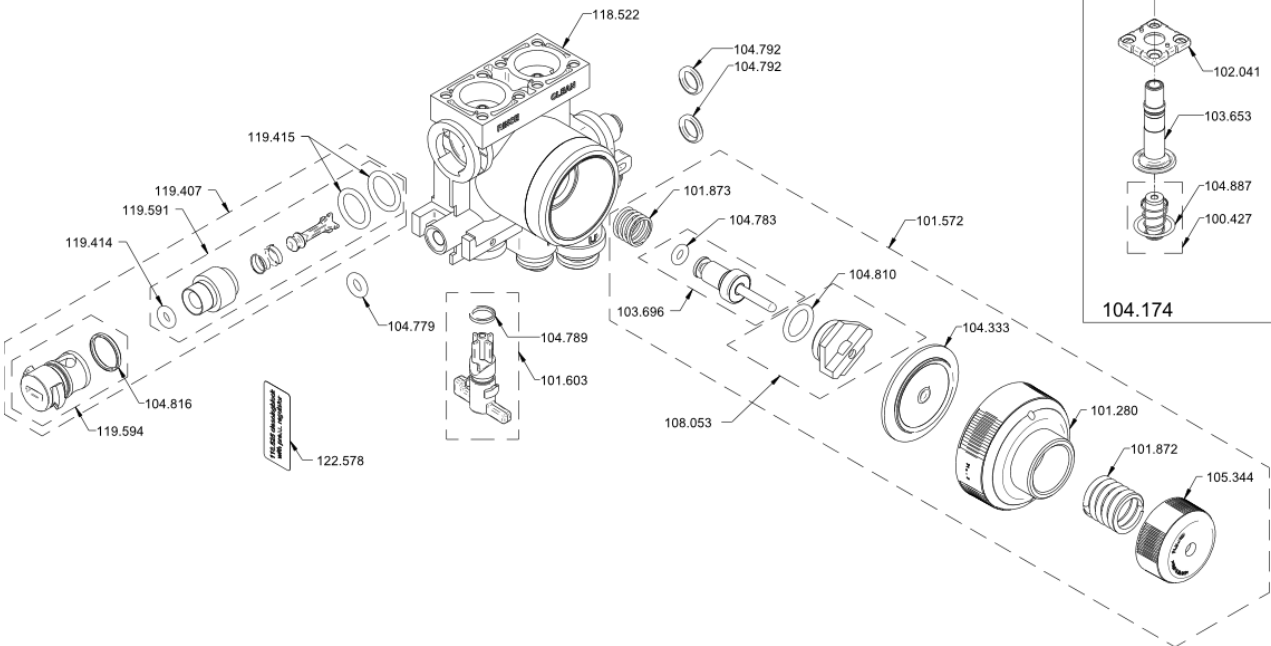
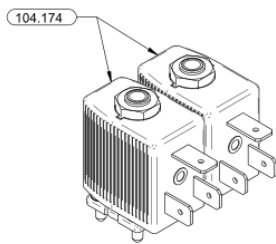
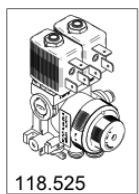
1.17.5.1.1.1 3/2 mini solenoid valve, assy.



1.17.5.2 Cleaning block without purge valve assy.

Article no.	Description	Quantity
100.427	Set 2/2 valve plunger with gasket	1
101.280	Cover pressure regulator	1
101.572	Pressure regulator, assy.	1
101.603	Milk bloc flowmeter assy.	1
101.872	Upper spring pressure regulator	1
101.873	Lower spring pressure regulator	1
102.041	Flange for mini-valve	1
103.653	Plunger guide 2/2 ways mini-valve	1
103.660	Nut for mini-valve	1
103.696	Valve pressure regulator, assy.	1
104.174	2/2 solenoid valve, assy.	2
104.333	Membrane ø28 pressure regulator	1
104.779	O-Ring 3.69x1.78 EPDM	1
104.783	O-Ring 3.00x1.50 FKM	1
104.789	O-Ring 5.00x1.00 EPDM	1
104.792	O-Ring 5.00x1.50 FKM	2
104.805	O-Ring 7.50x1.50 EPDM	1
104.810	O-Ring 8.00x1.50 VMQ	1
104.816	O-Ring 9.00x1.00 EPDM	1
104.887	O-Ring 13.00x1.30 EPDM	1
105.344	Screw plug M18x1.5	1
106.704	Coil for mini-valve	1
108.053	Water nozzle	1
115.934	PT flat head screws Torx K30x08	4
118.522	Basis block milk module assy.	1
119.407	Milk check valve assy.	1
119.414	O-Ring 2.90x1.78 EPDM	1
119.415	O-Ring 8.00x1.50 EPDM	2
119.591	Milk check valve	1
119.594	Cover check valve milk, assy.	1
122.578	Sticker c-block with pressregulator	1

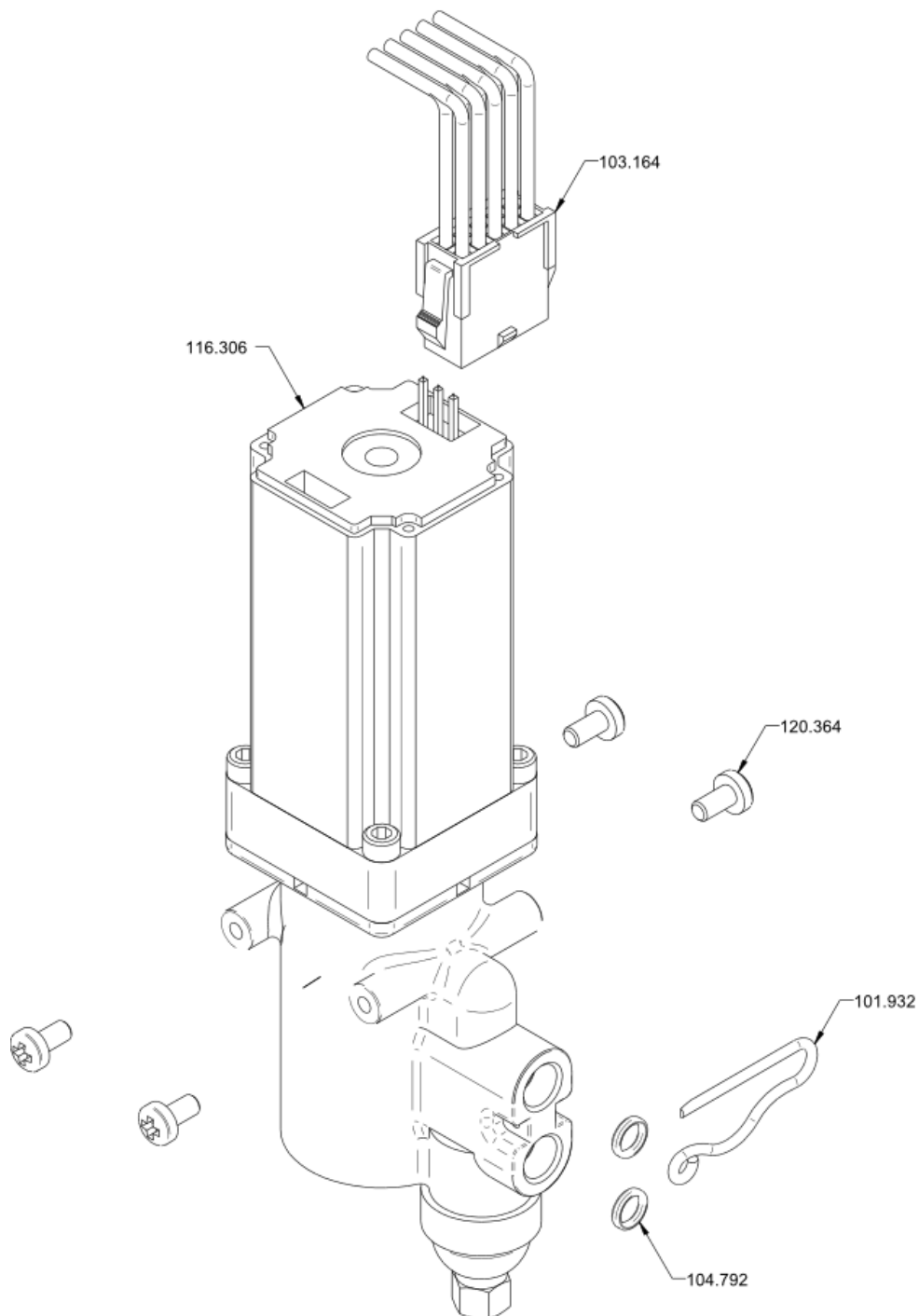
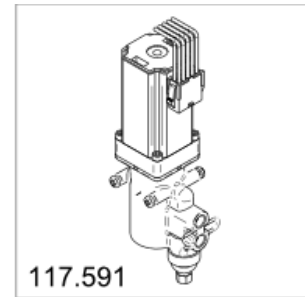
1.17.5.2 Cleaning block without purge valve assy.



1.17.5.3 Micropump set

Article no.	Description	Quantity
101.932	Spring clip pump	1
103.164	Wiring harness motor with filter	1
104.792	O-Ring 5.00x1.50 FKM	2
116.306	Micropump assy. (Procon)	1
120.364	Screw Phillips M4x8 Tuflok	4

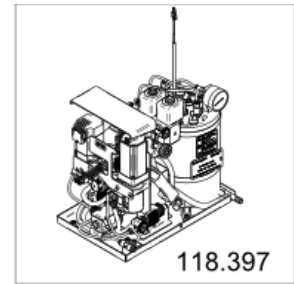
1.17.5.3 Micropump set



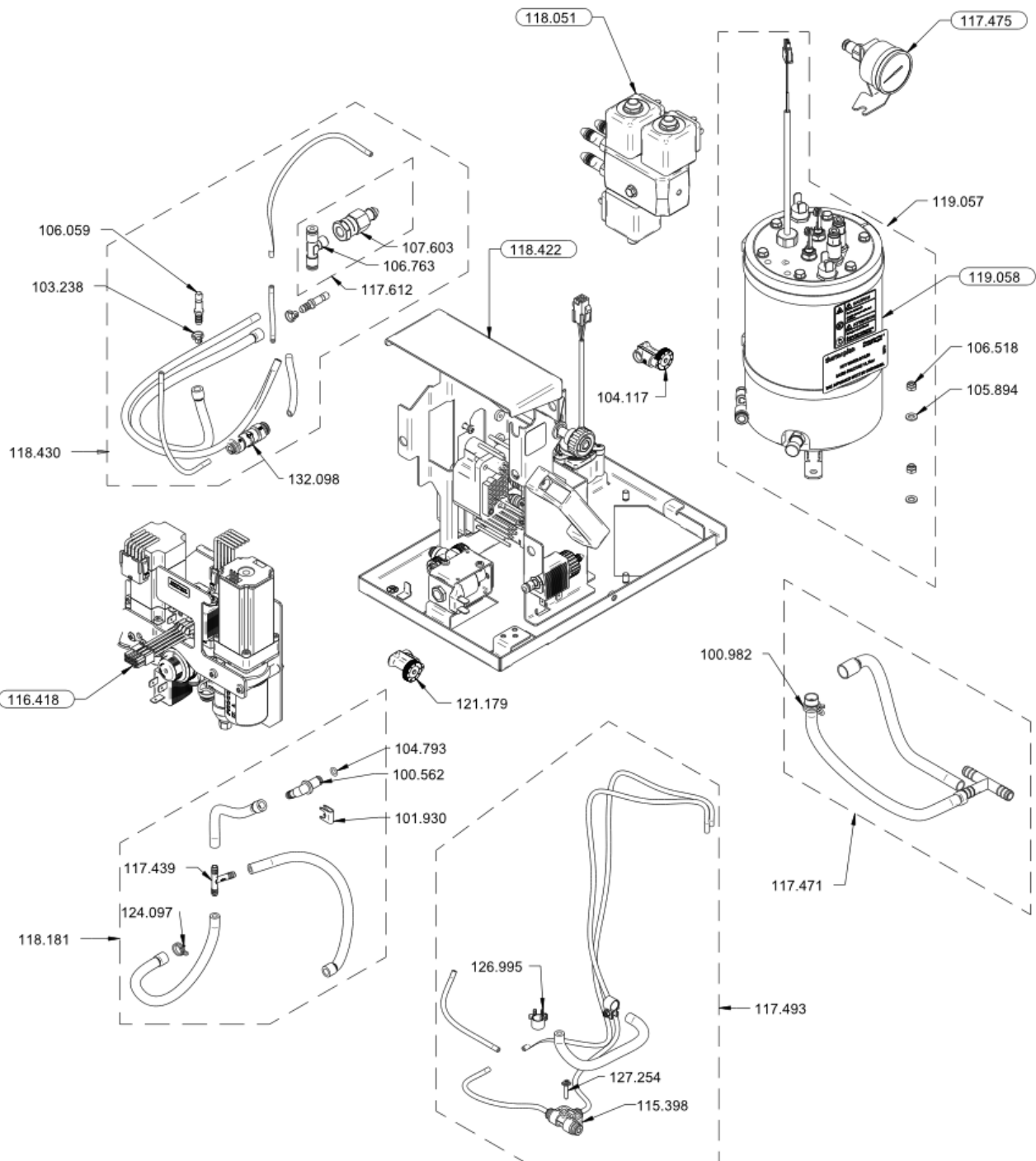
1.18 Hyd. Modul CTM/CBTM BW3 3.2kW 16Wi. comb

Article no.	Description	Quantity
100.562	Elbow connector	1
100.982	Clip for silicone hose	1
101.930	Spring clip	1
103.238	Cable tie	2
104.117	Air regulator red 0.0mm	1
104.117	Air regulator red 0.0mm	1
104.793	O-Ring 5.00x1.50 MVQ	1
105.894	Washer M5	2
106.059	Coupling ø6	2
106.518	Prevailing torque hex nut M5	1
106.763	T-Fitting 941QF-4FF-1/8K-S9	1
107.603	Pressure valve V3 coffee boiler	1
115.398	T-connector 4-4	1
116.418	Pump unit with pressreg. Inox assy.	1
116.418	Pump unit BW2/BW3 (1xMicropump) assy.	1
117.439	T-Connector (POM) for tube ø4mm	1
117.471	Drain tube Set	1
117.475	Pressure gauge Hyd.Modul BW2v2/BW3 set	1
117.493	Milk pressure tube Set	1
117.612	Check valve Hyd.Mod. BW2v2/BW3 Set	1
118.051	3 valve block BW2/BW3 set	1
118.181	Air tube BW2v3/BW3v3 set	1
118.422	Frame hydraulic CTM BW2/BW3 assy.	1
118.430	Pressure tube BW2v3 BW3v3 Set	1
119.057	Boiler CTM BW3 3.2kW 16Wi. Set	1
119.058	Coffee boiler CTM BW3 3.2kW 16Wi. assy.	1
121.179	Air regulator blue 0.0mm	1
121.179	Air regulator blue 0.0mm	1
124.097	Clip for silicone hose ø9.6mm	1
126.995	Clip for silicone hose FIT-Mini ø9mm	2
127.254	Oval head screw Phillips M3x16	1
132.098	Check valve ø6-ø4	1

1.18 Hyd. Modul CTM/CBTM BW3 3.2kW 16Wi. comb



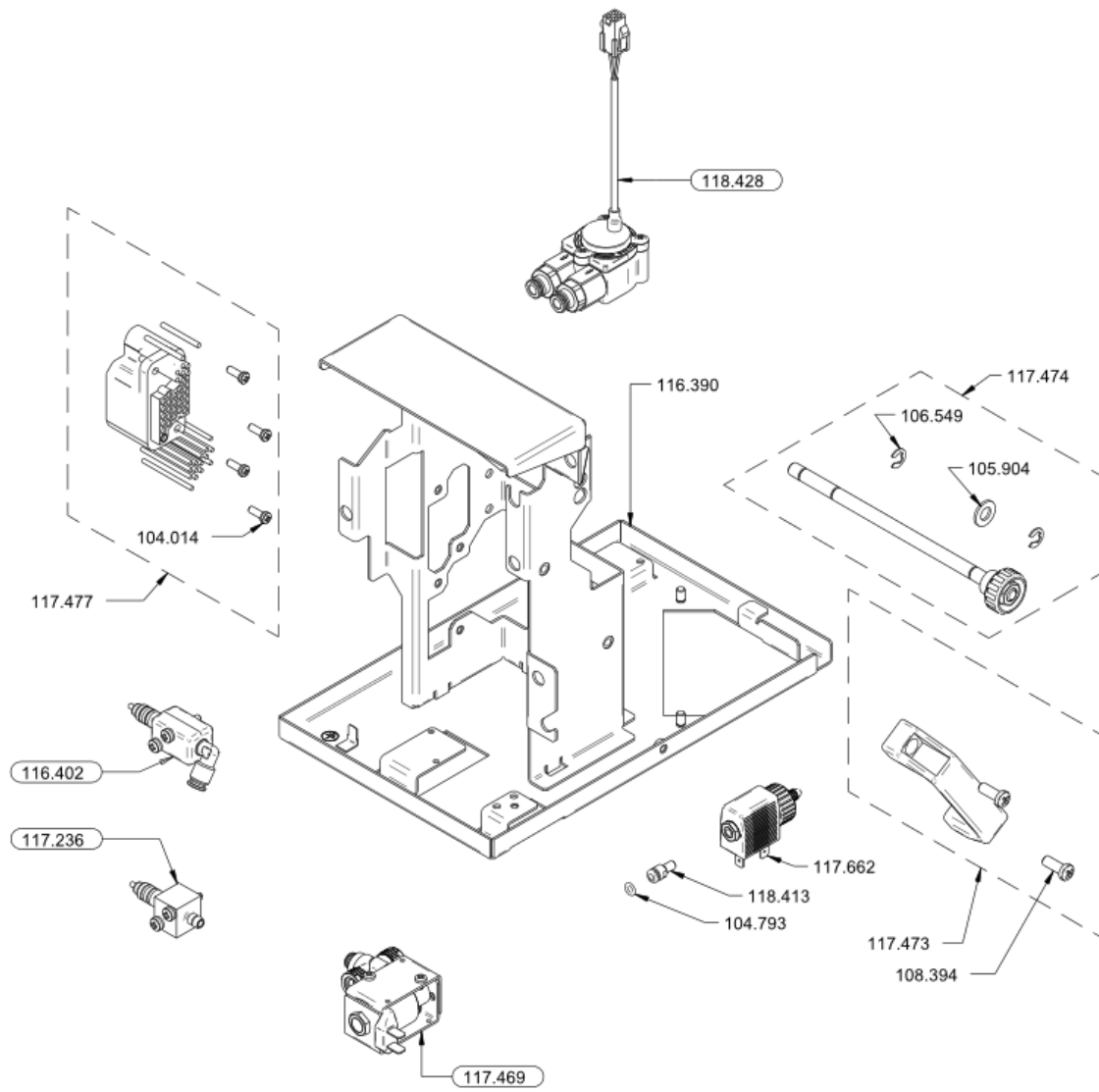
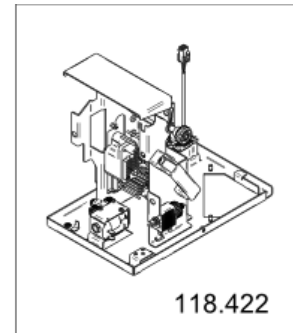
118.397



1.18.1 Frame hydraulic CTM BW2/BW3 assy.

Article no.	Description	Quantity
104.014	Oval head Phillips combi screw M4x12	4
104.793	O-Ring 5.00x1.50 MVQ	1
105.904	Washer M8	1
106.549	Circlip for shaft ø6	2
108.394	Socket flat head screw Phillips M6x16	2
116.390	Hydr. base plate BW2/3	1
116.402	Water entry clip BW2/BW3 assy.	1
117.236	Milk inlet connector BW2/BW3 assy.	1
117.469	Diaphragm valve Hyd.Mod BW2v2/BW3	1
117.473	Handle Set	1
117.474	Mounting Hyd. Mod. BW2v2/BW3 Set	1
117.477	Wiring harness Hyd. Mod. BW2v2/BW3 Set	1
117.662	Air mini-valve	1
118.413	Aircontroler support	1
118.428	prePump Flowmeter Molex	1

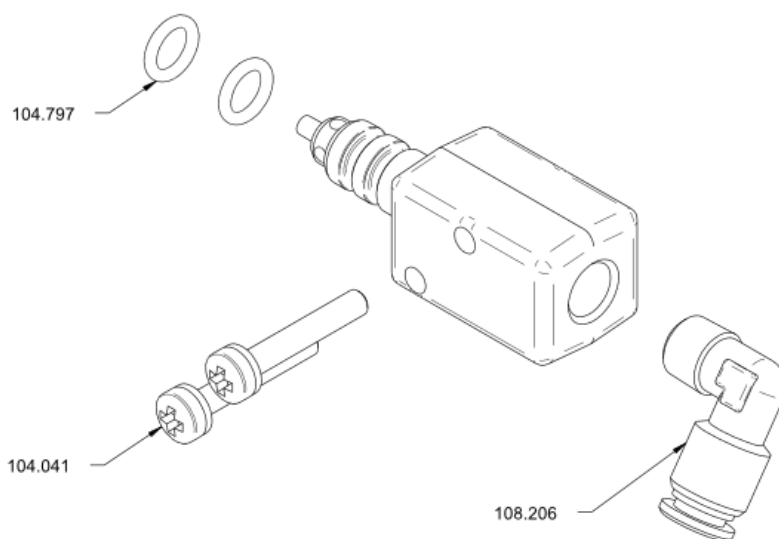
1.18.1 Frame hydraulic CTM BW2/BW3 assy.



1.18.1.1 Water entry clip BW2/BW3 assy.

Article no.	Description	Quantity
104.041	Oval head screw Phillips M4x25	2
104.797	O-Ring 6.75x1.78 FKM	2
108.206	Elbow connector 6-1/8K	1

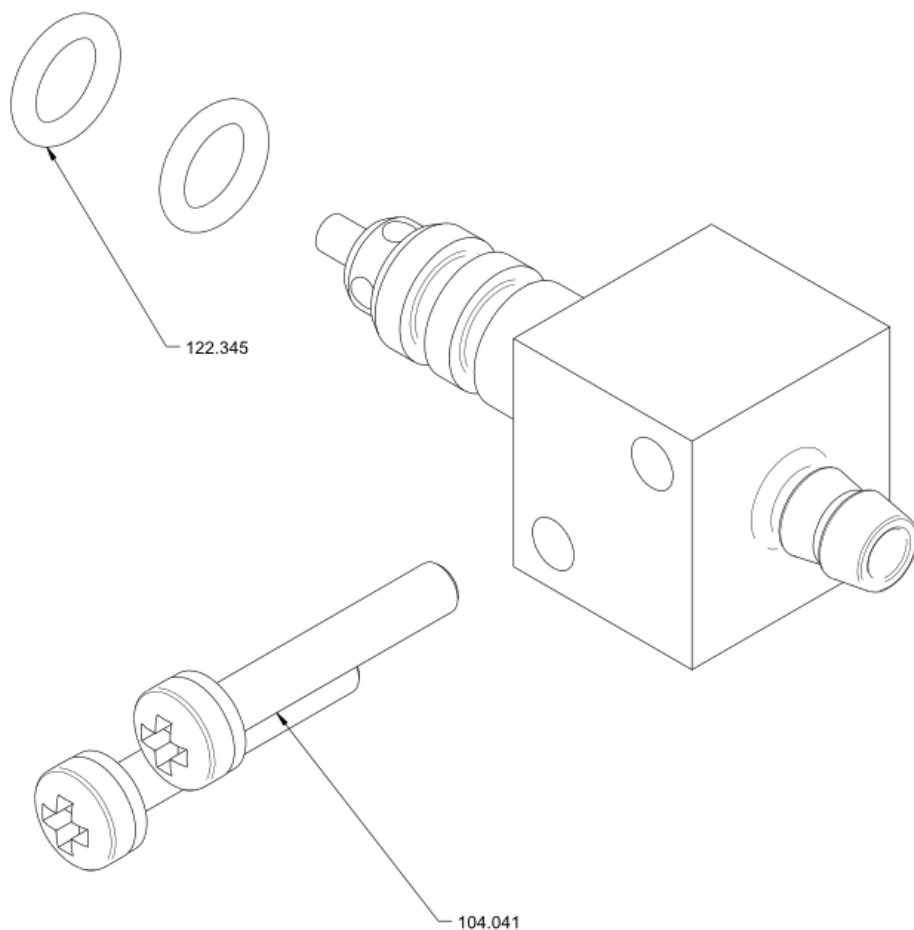
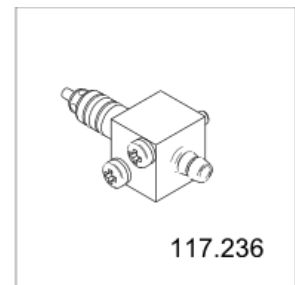
1.18.1.1 Water entry clip BW2/BW3 assy.



1.18.1.2 Milk inlet connector BW2/BW3 assy.

Article no.	Description	Quantity
104.041	Oval head screw Phillips M4x25	2
122.345	O-Ring 6.75x1.78 EPDM	2

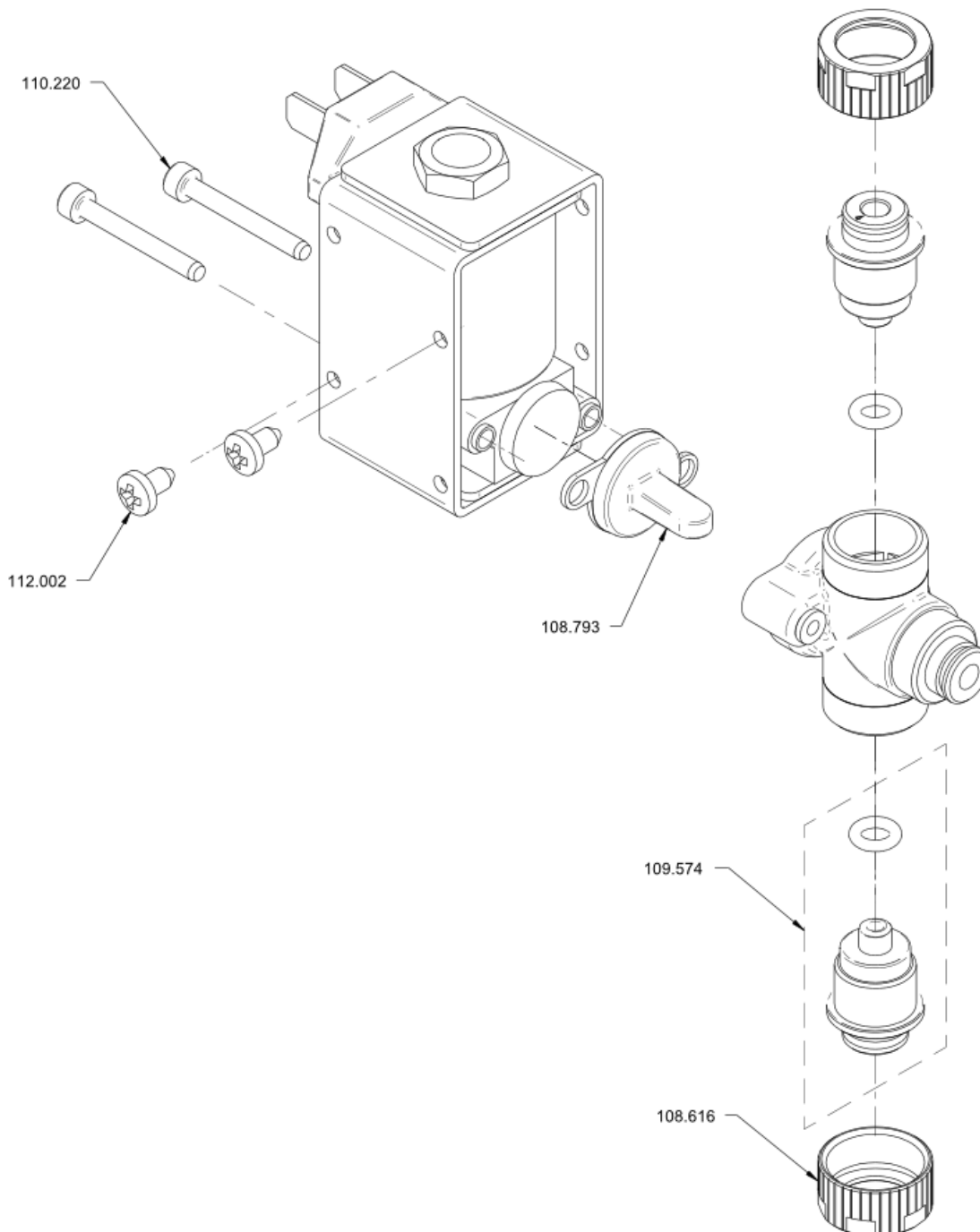
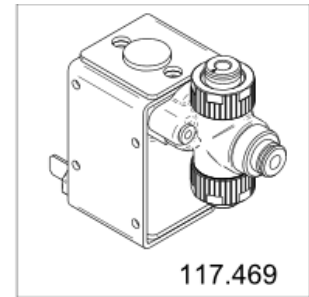
1.18.1.2 Milk inlet connector BW2/BW3 assy.



1.18.1.3 Diaphragm valve Hyd.Mod BW2v2/BW3

Article no.	Description	Quantity
108.616	Grooved nut diaphragm valve	2
108.793	Diaphragm	1
109.574	Insert Valve Magma ø4 with O-ring	2
110.220	Socket head screw M3x25	2
112.002	Phillips sheet screw ST 3.5x6.5	2

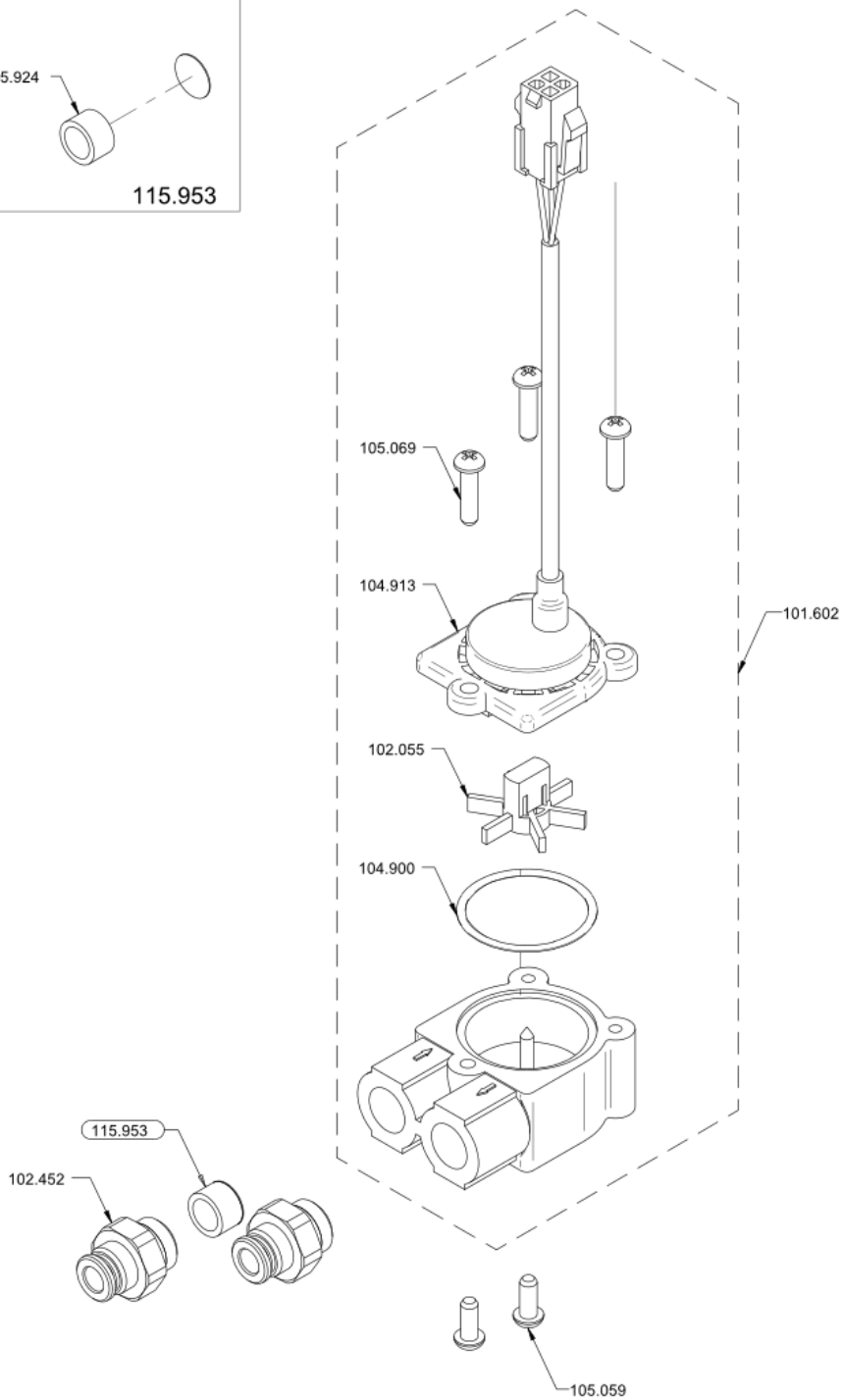
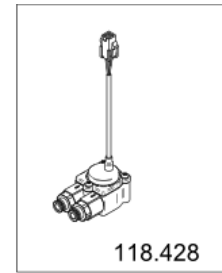
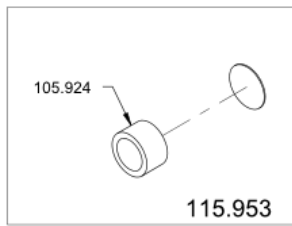
1.18.1.3 Diaphragm valve Hyd.Mod BW2v2/BW3



1.18.1.4 prePump Flowmeter Molex

Article no.	Description	Quantity
101.602	Flow meter Molex assy.	1
102.055	Wheel flowmeter	1
102.452	Straight connection 6-1/4"	2
104.900	O-Ring 28.3x1.78 MVQ	1
104.913	Flow meter head FHK Molex	1
105.059	Oval head PT screw Phillips KA40x10	2
105.069	Oval head PT screw Phillips KA40x16	3
105.924	Sleeve	1
115.953	Water strainer flowmeter	1

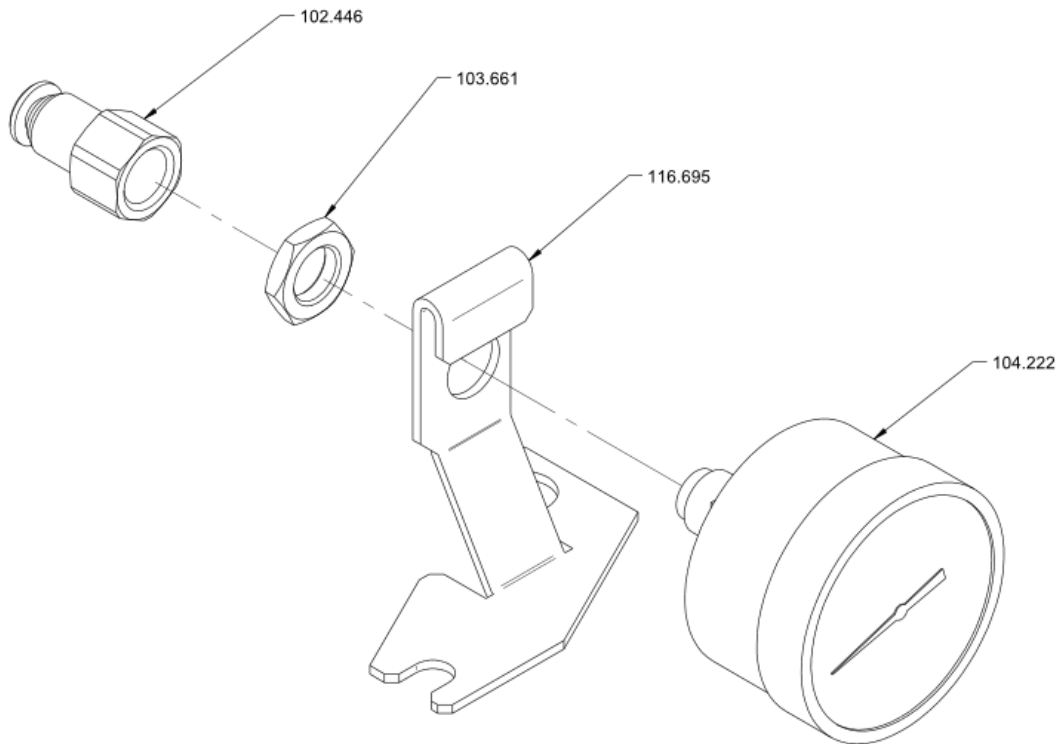
1.18.1.4 prePump Flowmeter Molex



1.18.2 Pressure gauge Hyd.Modul BW2v2/BW3 set

Article no.	Description	Quantity
102.446	Straight fitting 4-1/8"	1
103.661	Nut G1/8"	1
104.222	Manometer, 0 to 16 bar	1
116.695	Sheet support manometer	1

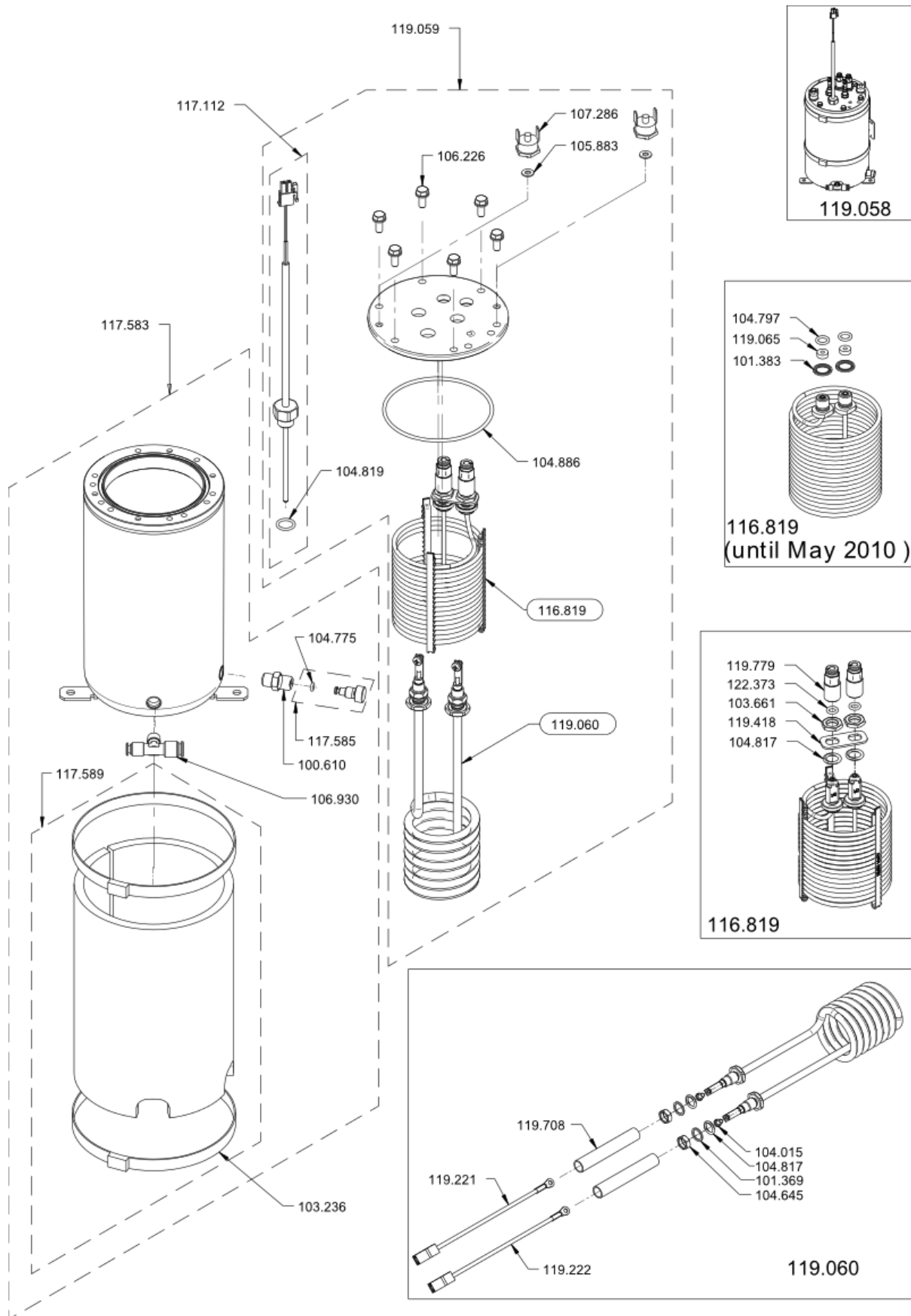
1.18.2 Pressure gauge Hyd.Modul BW2v2/BW3 set



1.18.3 Coffee boiler CTM BW3 3.2kW 16Wi. assy.

Article no.	Description	Quantity
100.610	Drain plug adapter	1
101.369	Seal ø13/10x1 for heating element	2
101.383	Seal 1/8"	2
103.236	Cable tie 550x8.9	2
103.661	Nut G1/8"	2
104.015	Phillips combi screw M04x06	2
104.645	Nut for boiler heating	2
104.775	O-Ring 2.90x1.78 FKM	1
104.797	O-Ring 6.75x1.78 FKM	2
104.817	O-Ring 9.00x2.00 EPDM	2
104.817	O-Ring 9.00x2.00 EPDM	2
104.819	O-Ring 10.82x1.78 VMQ	1
104.886	O-Ring 78.00x2.50 EPDM	1
105.883	Flat washer M4	2
106.226	Hexagon head cap screw M5x12	6
106.930	T-fitting 921QF-6-4FF-1/8K-S9	1
107.286	Thermal security 125°C HM	2
116.819	Milk heating coil 16Wi. cramp assy	1
117.112	NTC Sensor Boiler	1
117.583	Coffee boiler BW2/3 with insulation	1
117.585	Drain plug Set	1
117.589	Isolating coffee boiler BW2v2/BW3 Set	1
119.059	Heating coffee CTM BW3 3.2kW assy.	1
119.060	Heating element 3.2kW, assembly	1
119.065	Cavity disc inox	2
119.221	Cable connection AWG14 radox blue BW3	1
119.222	Cable connection AWG14 radox red BW3	1
119.418	Safety sheet	1
119.708	Insulation pipe ø12/10 x 75mm	2
119.779	Coil connection assy.	2
122.373	O-Ring 5.28x1.78 EPDM	2

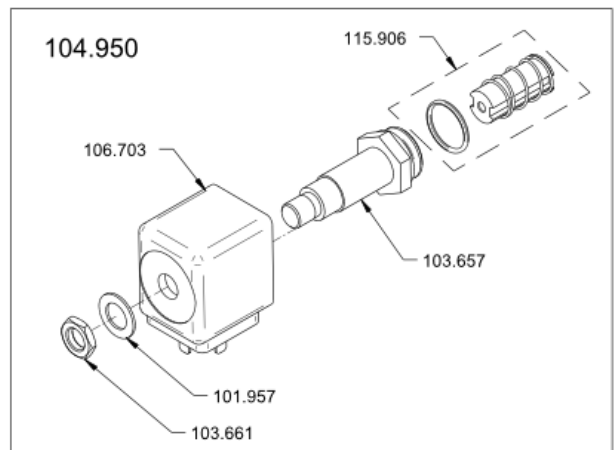
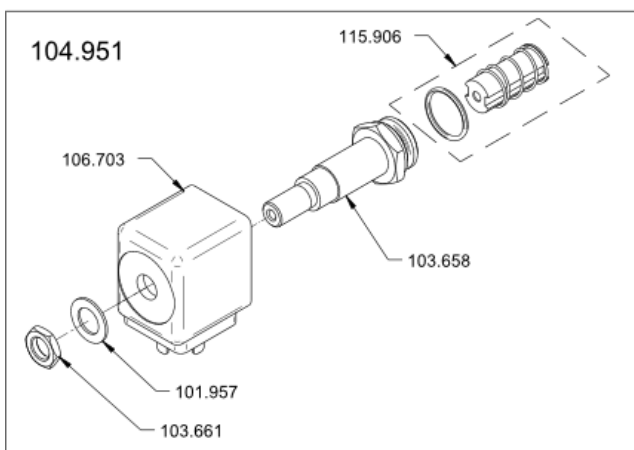
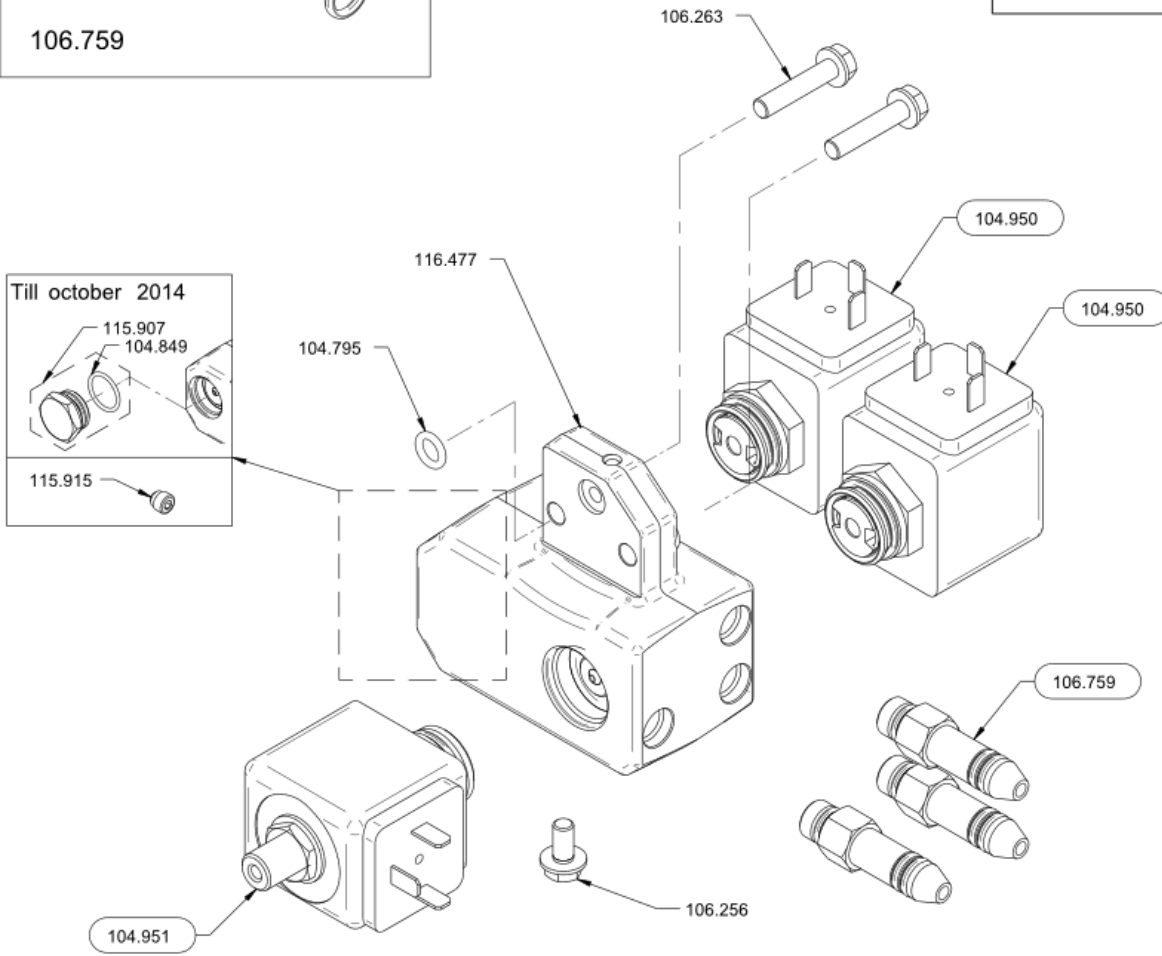
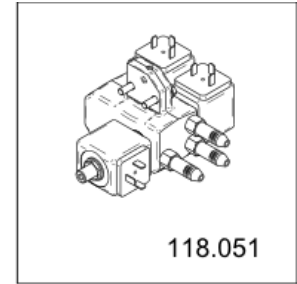
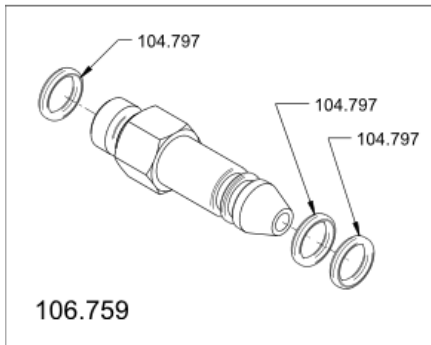
1.18.3 Coffee boiler CTM BW3 3.2kW 16Wi. assy.



1.18.4 3 valve block BW2/BW3 set

Article no.	Description	Quantity
101.957	Springwasher valve	1
101.957	Springwasher valve	1
103.657	Plunger guide Lucifer 2-way	1
103.658	Plunger guide Lucifer 3-way	1
103.661	Nut G1/8"	1
103.661	Nut G1/8"	1
104.795	O-Ring 6.07x1.78 FKM	1
104.797	O-Ring 6.75x1.78 FKM	3
104.849	O-Ring 17.17x1.78 FKM	1
104.950	Pilot valve 2/2 \varnothing 1.5/2.5mm plunger	2
104.951	Pilot valve 3/2 \varnothing 1.5/2.5mm	1
106.256	Hexagon head cap screw M5x10 with ripped	1
106.263	Hexagon head cap screw M5x25	2
106.703	Coil for Lucifer valve	1
106.759	Hydr. plug pin G1/8, assy.	3
115.906	Plunger kit Parker Lucifer	1
115.906	Plunger kit Parker Lucifer	1
115.907	Screw valve seat with seal	1
115.915	Plug G 1/8 hex. socket	1
116.477	Base 3 valve block BW2/BW3 assy.	1

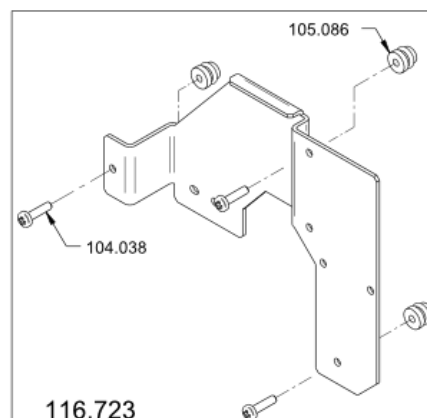
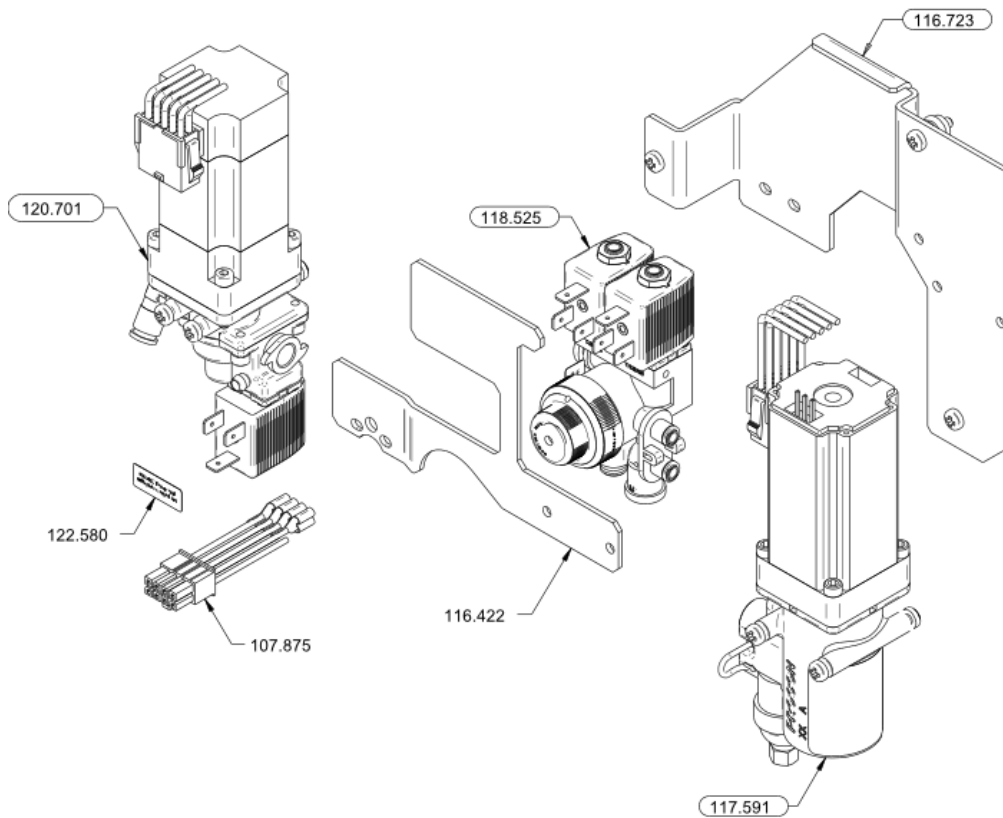
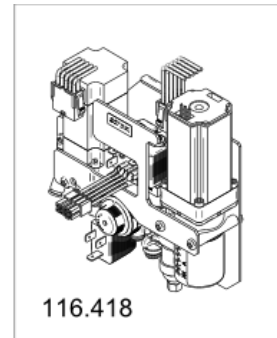
1.18.4 3 valve block BW2/BW3 set



1.18.5 Pump unit with pressreg. Inox assy.

Article no.	Description	Quantity
104.038	Oval head screw Phillips M4x16	3
105.086	Rubber mounting bush M4	3
107.875	Extension wiring harness milk	1
116.422	Sheet reinforcement BW2/BW3, BWone	1
116.723	Support for pump BW2/BW3 assy.	1
117.591	Micropump set	1
118.525	Cleaning block without purge valve assy.	1
120.701	Milk pump Inox set	1
122.580	Sticker P-unit BW3 with pressregulator	1

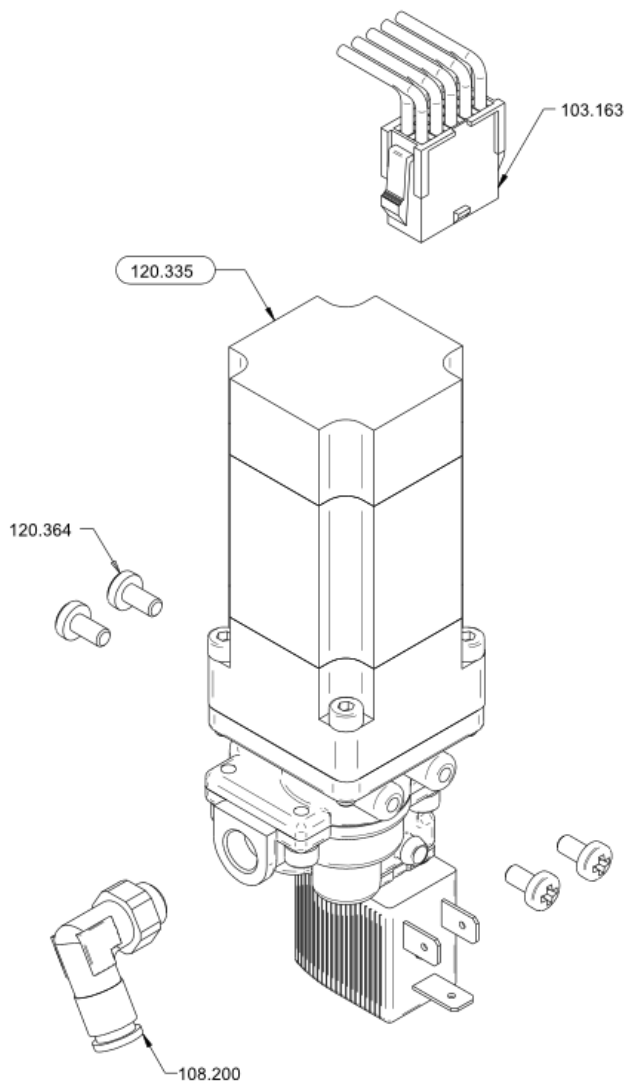
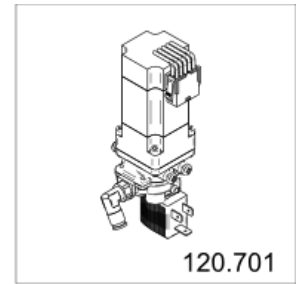
1.18.5 Pump unit with pressreg. Inox assy.



1.18.5.1 Milk pump Inox set

Article no.	Description	Quantity
103.163	Wiring harness DC-motor	1
108.200	Elbow connector 930QF-4FF-1/8-S9	1
120.335	Milk Pump inox with motor assy.	1
120.364	Screw Phillips M4x8 Tuflok	4

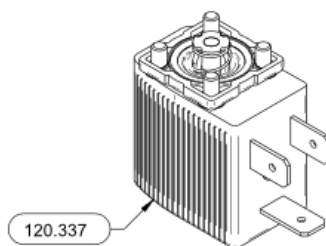
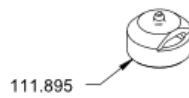
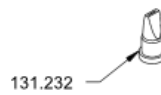
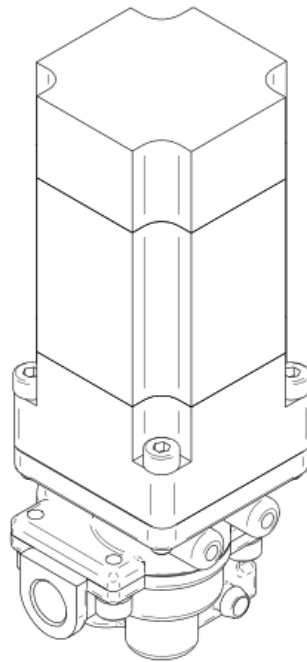
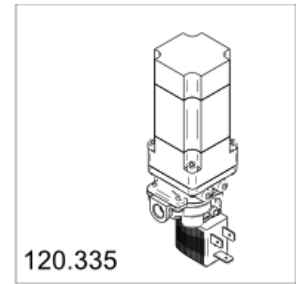
1.18.5.1 Milk pump Inox set



1.18.5.1.1 Milk Pump inox with motor assy.

Article no.	Description	Quantity
111.895	Support duckbill	1
120.337	3/2 mini solenoid valve, assy.	1
121.409	Nozzle to milk pump PEEK	1
131.232	Check valve duckbill light blue	1

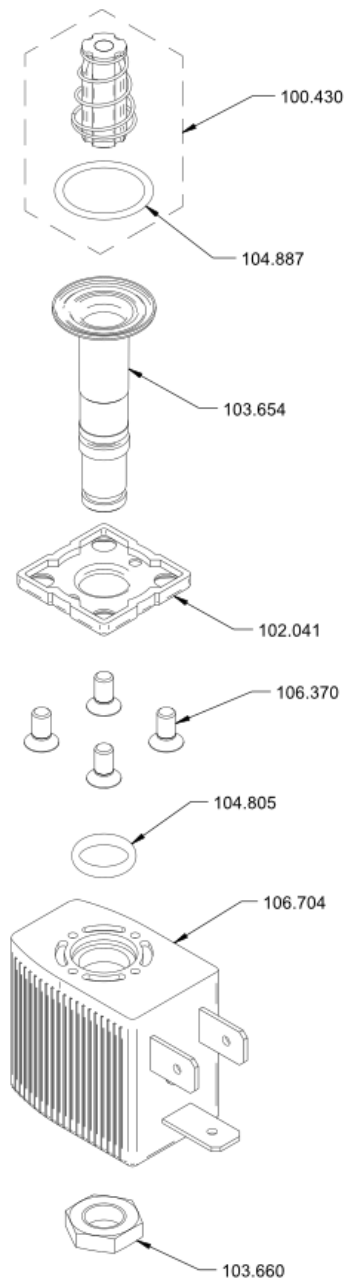
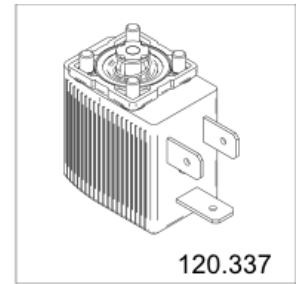
1.18.5.1.1 Milk Pump inox with motor assy.



1.18.5.1.1.1 3/2 mini solenoid valve, assy.

Article no.	Description	Quantity
100.430	Set 3/2 valve plunger with gasket	1
102.041	Flange for mini-valve	1
103.654	Plunger guide 3/2 ways mini-valve	1
103.660	Nut for mini-valve	1
104.805	O-Ring 7.50x1.50 EPDM	1
104.887	O-Ring 13.00x1.30 EPDM	1
106.370	Countersunk screw M3x6 Torx	4
106.704	Coil for mini-valve	1

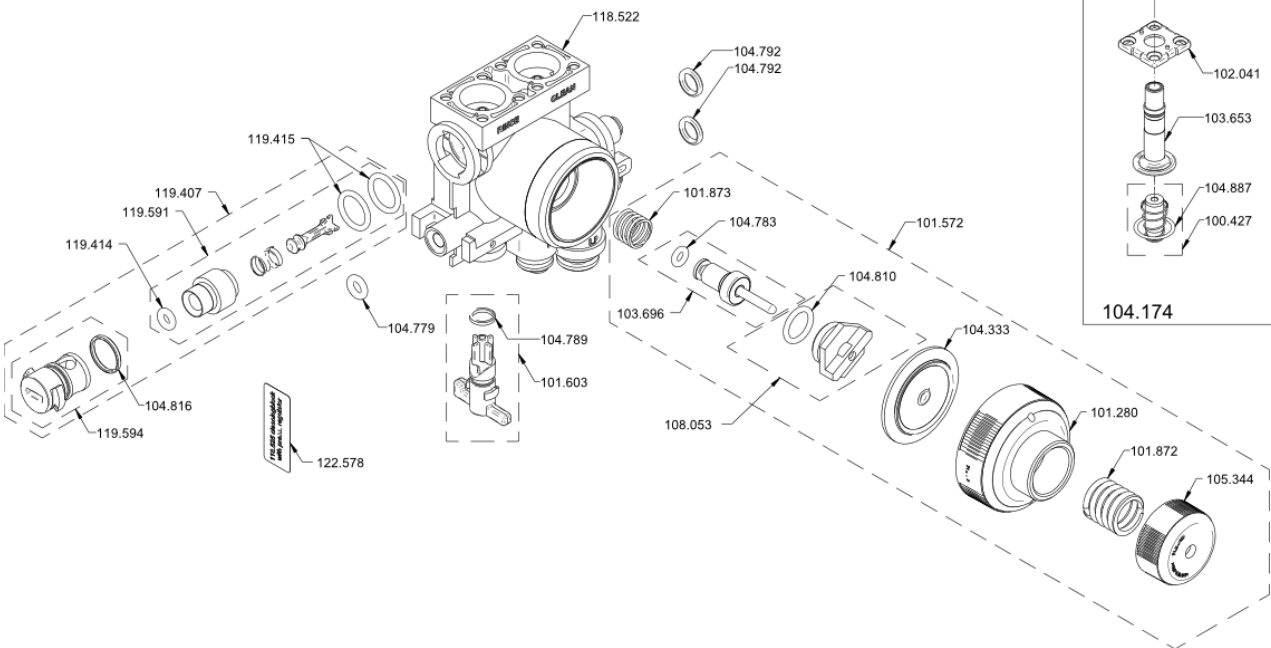
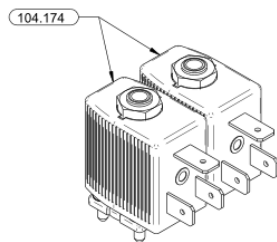
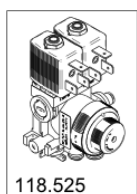
1.18.5.1.1.1 3/2 mini solenoid valve, assy.



1.18.5.2 Cleaning block without purge valve assy.

Article no.	Description	Quantity
100.427	Set 2/2 valve plunger with gasket	1
101.280	Cover pressure regulator	1
101.572	Pressure regulator, assy.	1
101.603	Milk bloc flowmeter assy.	1
101.872	Upper spring pressure regulator	1
101.873	Lower spring pressure regulator	1
102.041	Flange for mini-valve	1
103.653	Plunger guide 2/2 ways mini-valve	1
103.660	Nut for mini-valve	1
103.696	Valve pressure regulator, assy.	1
104.174	2/2 solenoid valve, assy.	2
104.333	Membrane ø28 pressure regulator	1
104.779	O-Ring 3.69x1.78 EPDM	1
104.783	O-Ring 3.00x1.50 FKM	1
104.789	O-Ring 5.00x1.00 EPDM	1
104.792	O-Ring 5.00x1.50 FKM	2
104.805	O-Ring 7.50x1.50 EPDM	1
104.810	O-Ring 8.00x1.50 VMQ	1
104.816	O-Ring 9.00x1.00 EPDM	1
104.887	O-Ring 13.00x1.30 EPDM	1
105.344	Screw plug M18x1.5	1
106.704	Coil for mini-valve	1
108.053	Water nozzle	1
115.934	PT flat head screws Torx K30x08	4
118.522	Basis block milk module assy.	1
119.407	Milk check valve assy.	1
119.414	O-Ring 2.90x1.78 EPDM	1
119.415	O-Ring 8.00x1.50 EPDM	2
119.591	Milk check valve	1
119.594	Cover check valve milk, assy.	1
122.578	Sticker c-block with pressregulator	1

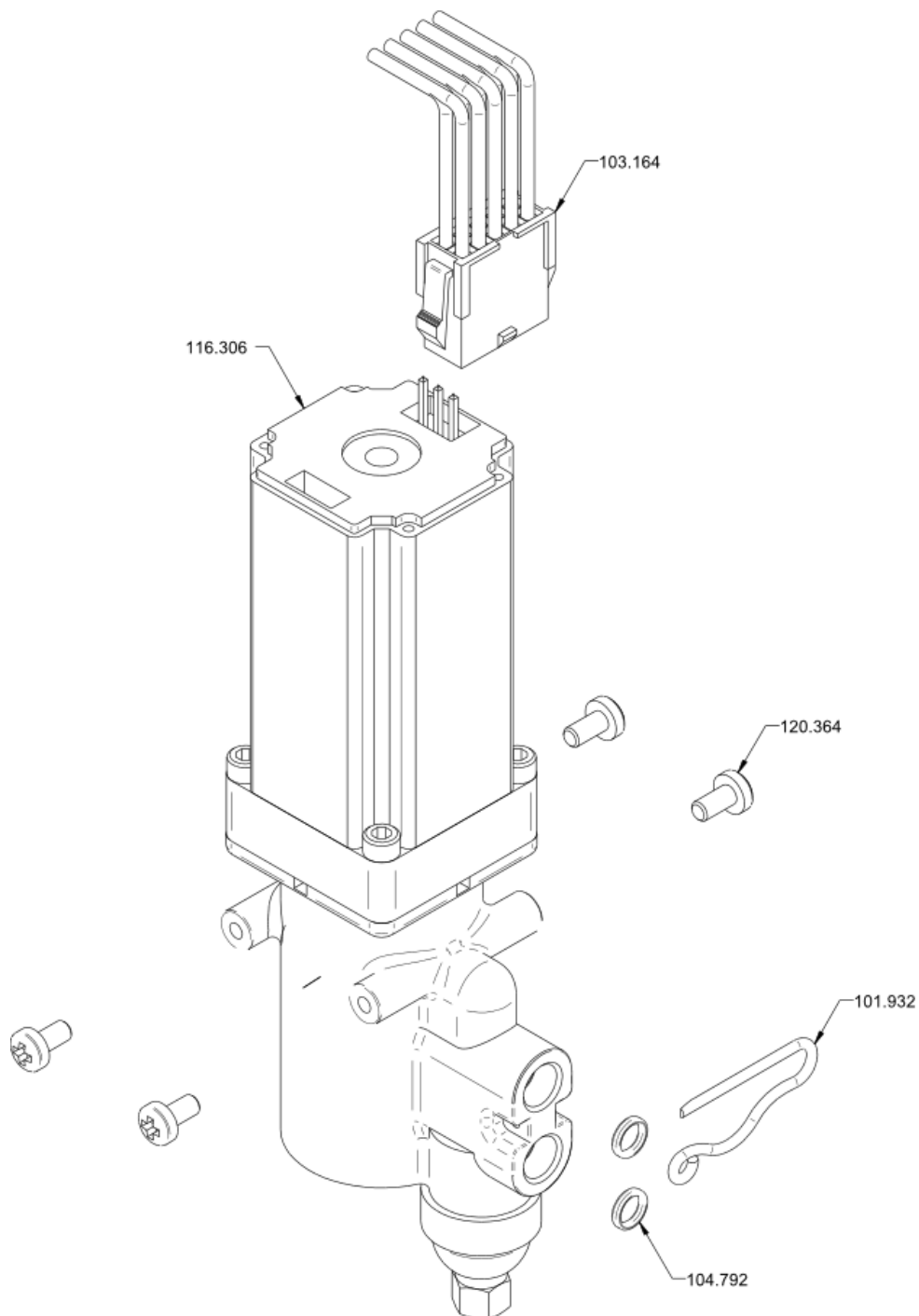
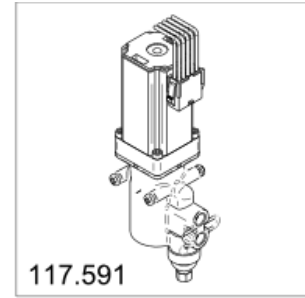
1.18.5.2 Cleaning block without purge valve assy.



1.18.5.3 Micropump set

Article no.	Description	Quantity
101.932	Spring clip pump	1
103.164	Wiring harness motor with filter	1
104.792	O-Ring 5.00x1.50 FKM	2
116.306	Micropump assy. (Procon)	1
120.364	Screw Phillips M4x8 Tuflok	4

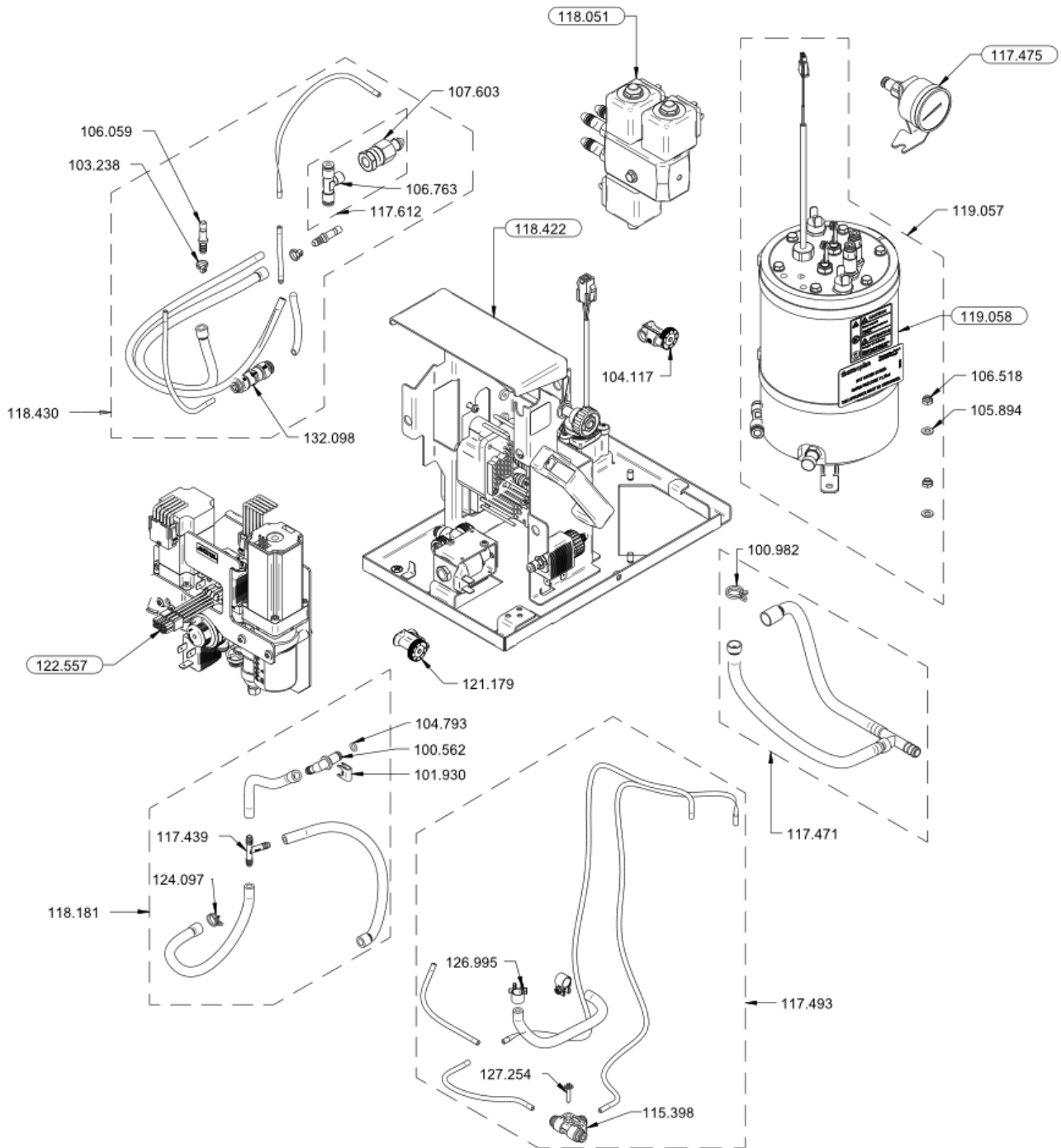
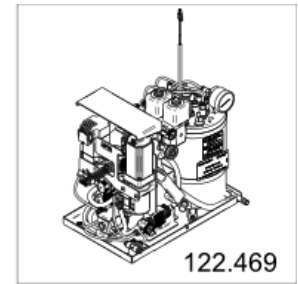
1.18.5.3 Micropump set



1.19 Hyd. Modul CTM BW3 3.2kW TCC

Article no.	Description	Quantity
100.562	Elbow connector	1
100.982	Clip for silicone hose	1
101.930	Spring clip	1
103.238	Cable tie	2
104.117	Air regulator red 0.0mm	1
104.793	O-Ring 5.00x1.50 MVQ	1
105.894	Washer M5	2
106.059	Coupling ø6	2
106.518	Prevailing torque hex nut M5	1
106.763	T-Fitting 941QF-4FF-1/8K-S9	1
107.603	Pressure valve V3 coffee boiler	1
115.398	T-connector 4-4	1
117.439	T-Connector (POM) for tube ø4mm	1
117.471	Drain tube Set	1
117.475	Pressure gauge Hyd.Modul BW2v2/BW3 set	1
117.493	Milk pressure tube Set	1
117.612	Check valve Hyd.Mod. BW2v2/BW3 Set	1
118.051	3 valve block BW2/BW3 set	1
118.181	Air tube BW2v3/BW3v3 set	1
118.422	Frame hydraulic CTM BW2/BW3 assy.	1
118.430	Pressure tube BW2v3 BW3v3 Set	1
119.057	Boiler CTM BW3 3.2kW 16Wi. Set	1
119.058	Coffee boiler CTM BW3 3.2kW 16Wi. assy.	1
121.179	Air regulator blue 0.0mm	1
122.557	Pump unit without pressreg. TCC assy.	1
124.097	Clip for silicone hose ø9.6mm	1
126.995	Clip for silicone hose FIT-Mini ø9mm	2
127.254	Oval head screw Phillips M3x16	1
132.098	Check valve ø6-ø4	1

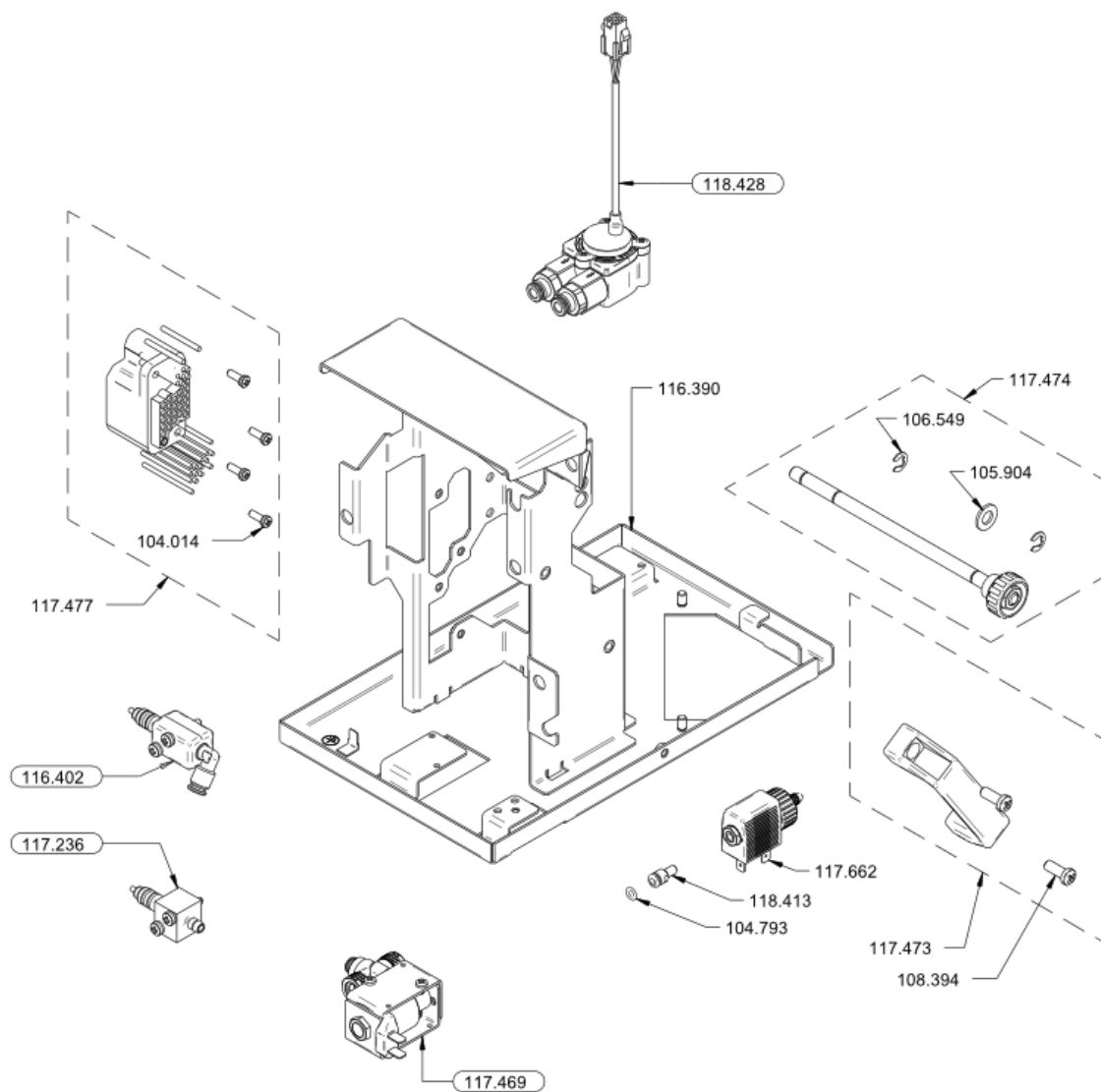
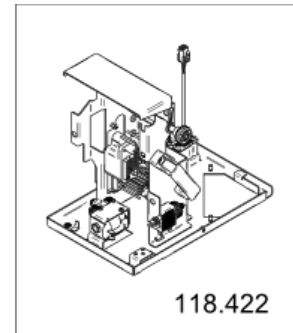
1.19 Hyd. Modul CTM BW3 3.2kW TCC



1.19.1 Frame hydraulic CTM BW2/BW3 assy.

Article no.	Description	Quantity
104.014	Oval head Phillips combi screw M4x12	4
104.793	O-Ring 5.00x1.50 MVQ	1
105.904	Washer M8	1
106.549	Circlip for shaft ø6	2
108.394	Socket flat head screw Phillips M6x16	2
116.390	Hydr. base plate BW2/3	1
116.402	Water entry clip BW2/BW3 assy.	1
117.236	Milk inlet connector BW2/BW3 assy.	1
117.469	Diaphragm valve Hyd.Mod BW2v2/BW3	1
117.473	Handle Set	1
117.474	Mounting Hyd. Mod. BW2v2/BW3 Set	1
117.477	Wiring harness Hyd. Mod. BW2v2/BW3 Set	1
117.662	Air mini-valve	1
118.413	Aircontroler support	1
118.428	prePump Flowmeter Molex	1

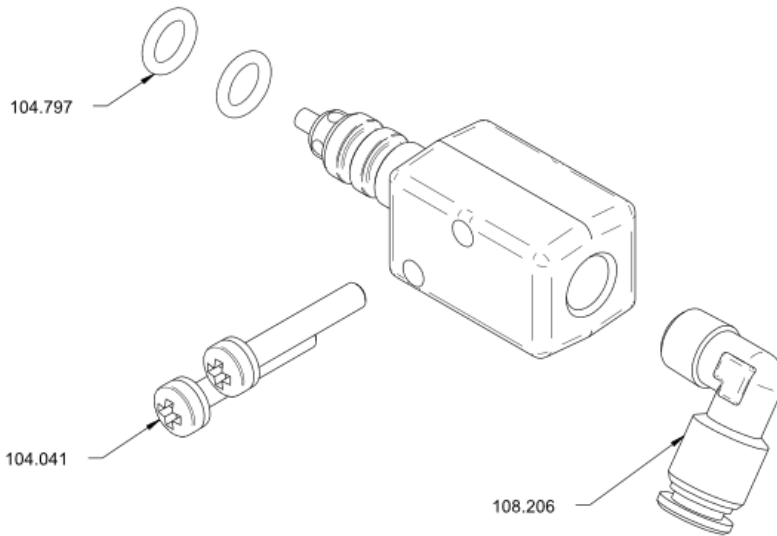
1.19.1 Frame hydraulic CTM BW2/BW3 assy.



1.19.1.1 Water entry clip BW2/BW3 assy.

Article no.	Description	Quantity
104.041	Oval head screw Phillips M4x25	2
104.797	O-Ring 6.75x1.78 FKM	2
108.206	Elbow connector 6-1/8K	1

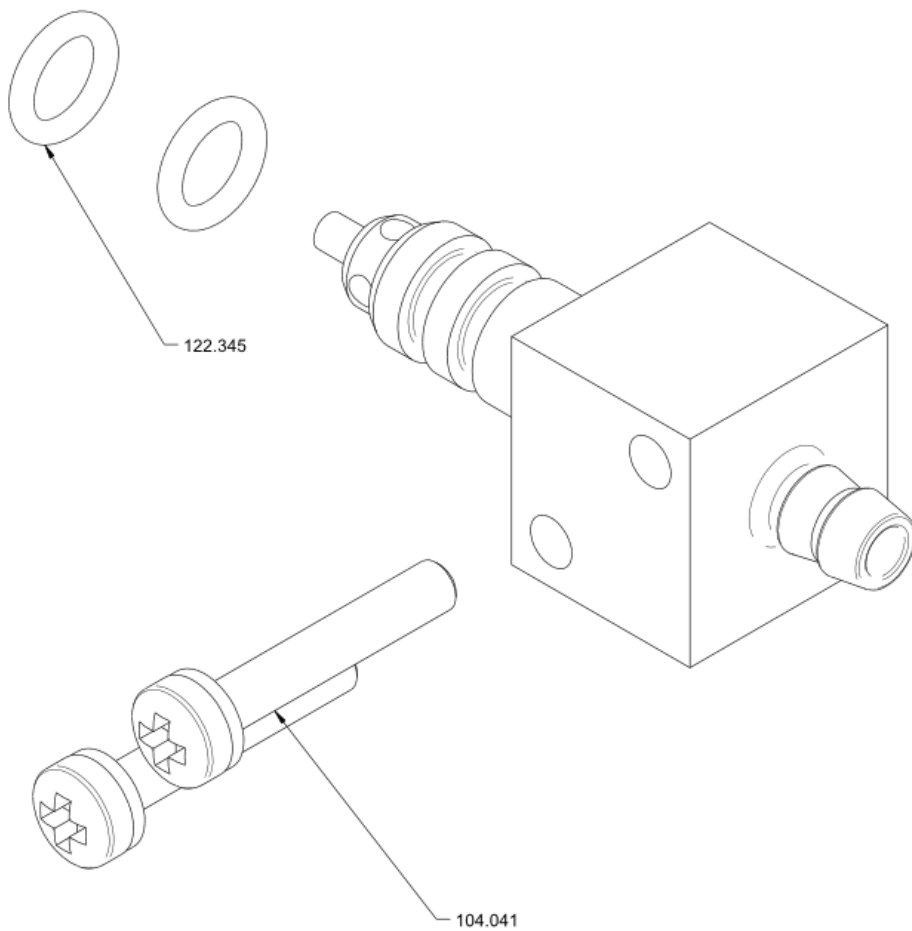
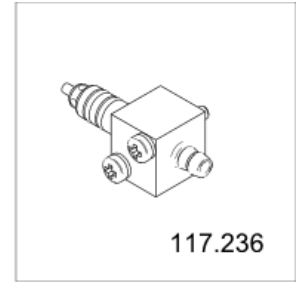
1.19.1.1 Water entry clip BW2/BW3 assy.



1.19.1.2 Milk inlet connector BW2/BW3 assy.

Article no.	Description	Quantity
104.041	Oval head screw Phillips M4x25	2
122.345	O-Ring 6.75x1.78 EPDM	2

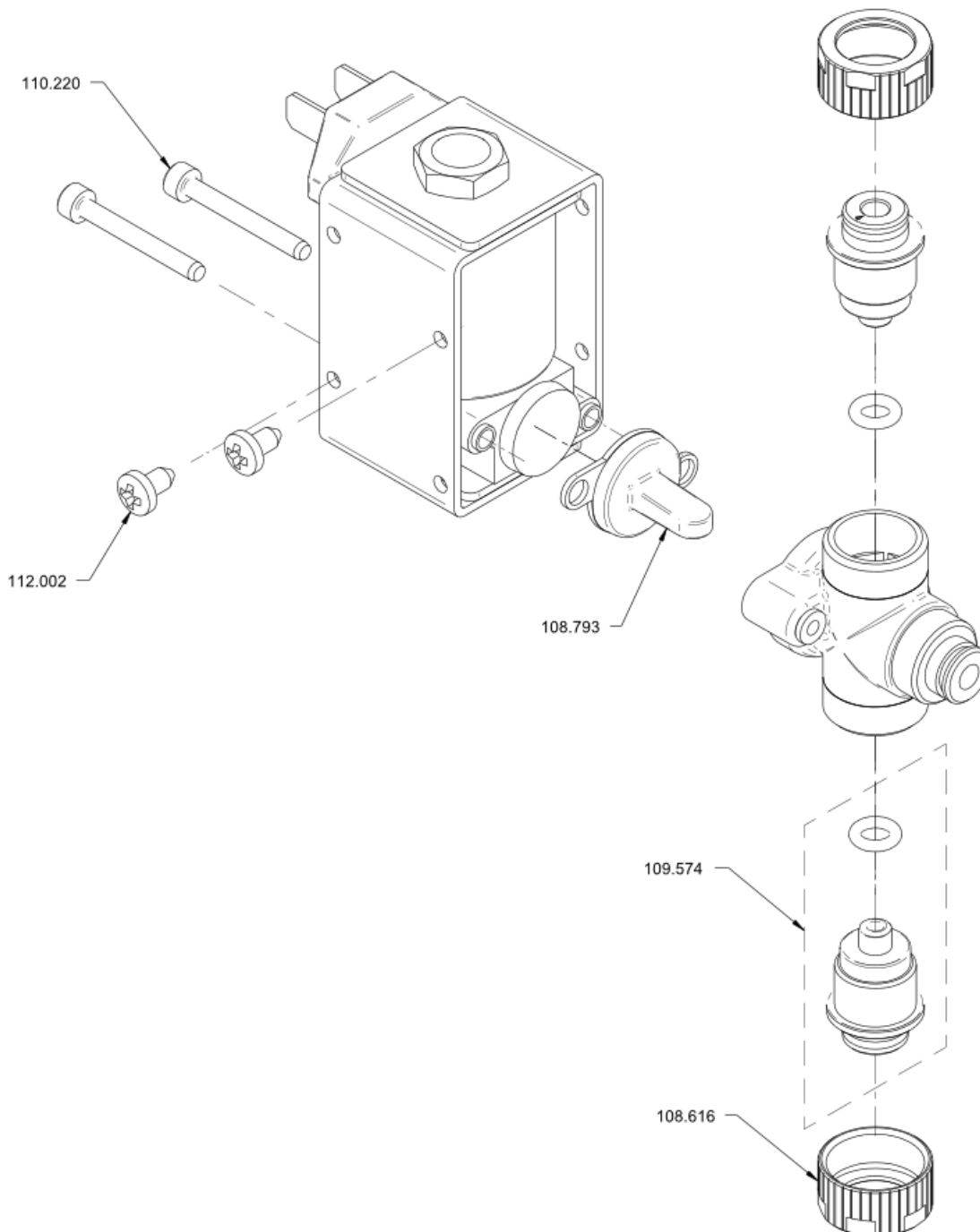
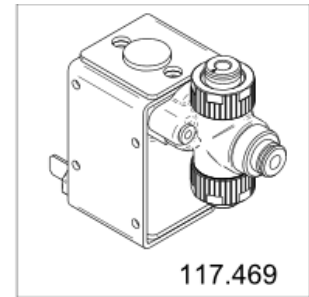
1.19.1.2 Milk inlet connector BW2/BW3 assy.



1.19.1.3 Diaphragm valve Hyd.Mod BW2v2/BW3

Article no.	Description	Quantity
108.616	Grooved nut diaphragm valve	2
108.793	Diaphragm	1
109.574	Insert Valve Magma ø4 with O-ring	2
110.220	Socket head screw M3x25	2
112.002	Phillips sheet screw ST 3.5x6.5	2

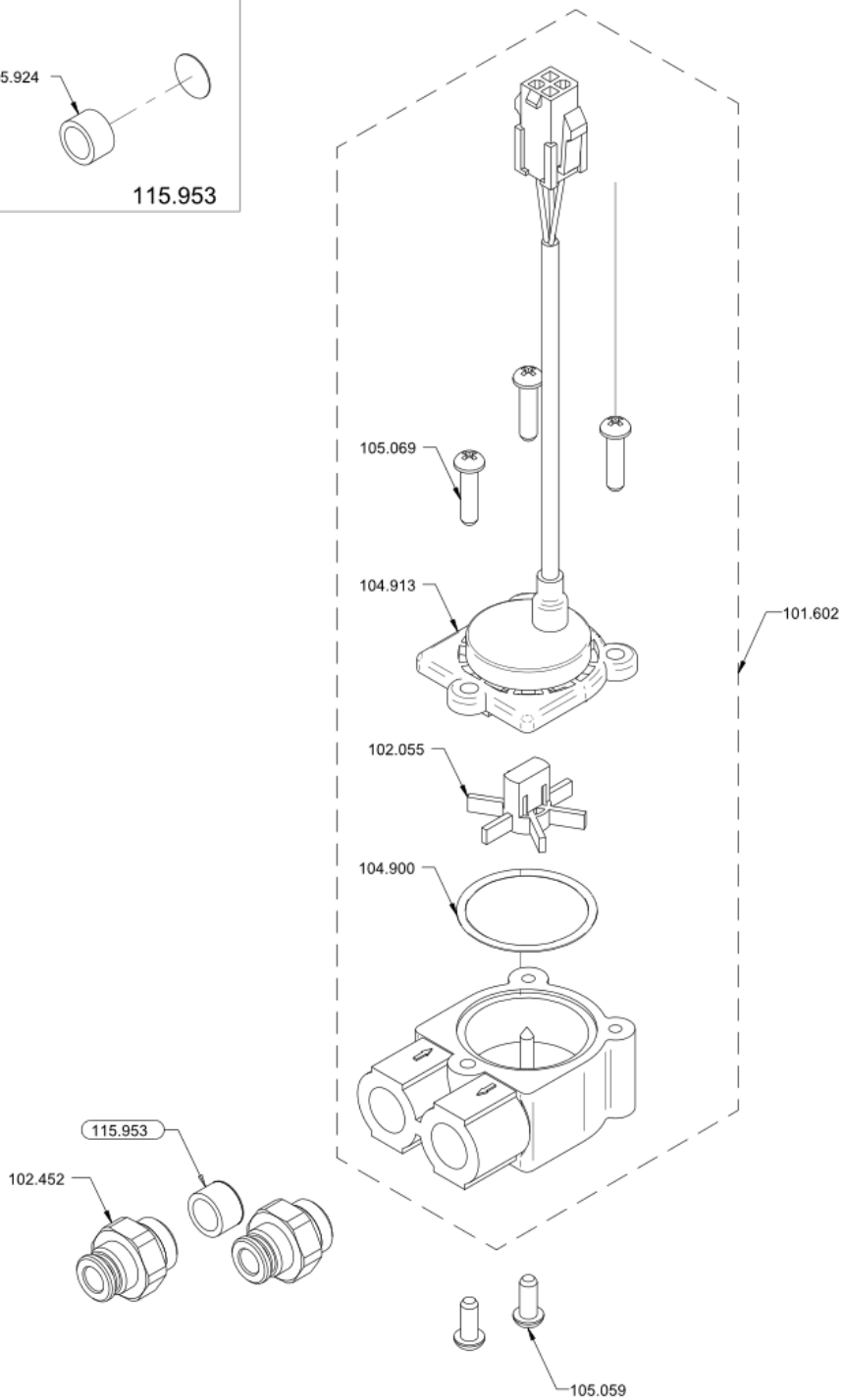
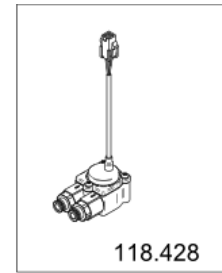
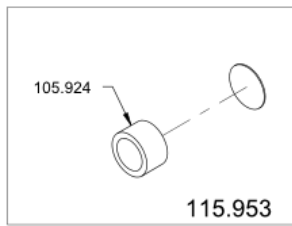
1.19.1.3 Diaphragm valve Hyd.Mod BW2v2/BW3



1.19.1.4 prePump Flowmeter Molex

Article no.	Description	Quantity
101.602	Flow meter Molex assy.	1
102.055	Wheel flowmeter	1
102.452	Straight connection 6-1/4"	2
104.900	O-Ring 28.3x1.78 MVQ	1
104.913	Flow meter head FHK Molex	1
105.059	Oval head PT screw Phillips KA40x10	2
105.069	Oval head PT screw Phillips KA40x16	3
105.924	Sleeve	1
115.953	Water strainer flowmeter	1

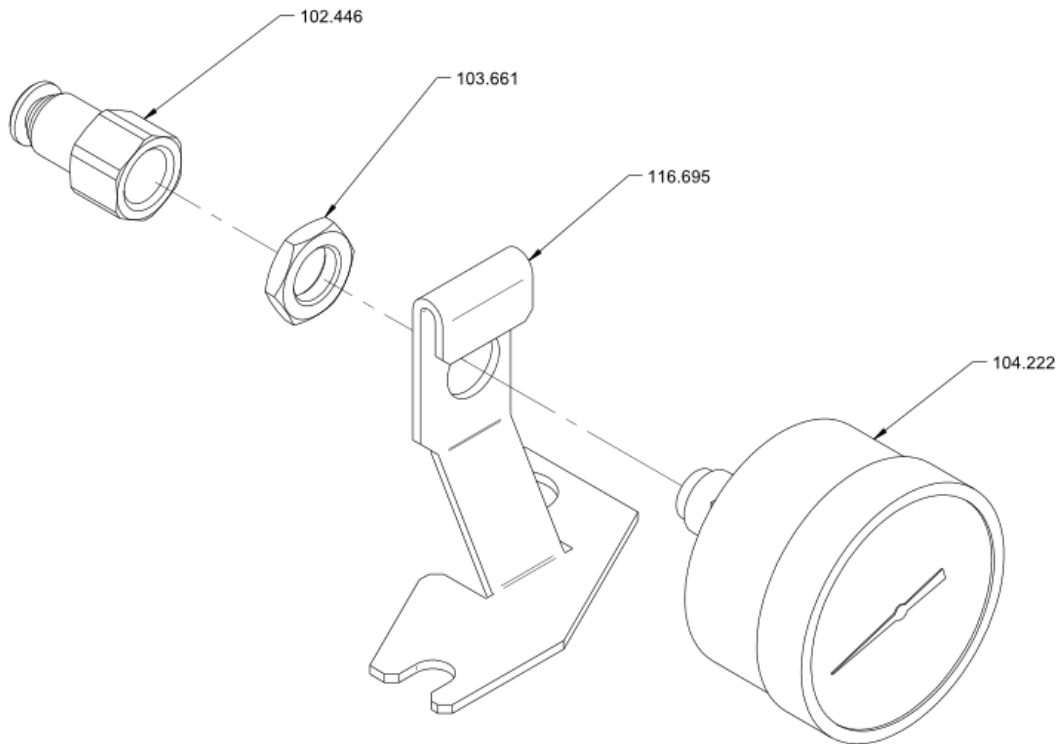
1.19.1.4 prePump Flowmeter Molex



1.19.2 Pressure gauge Hyd.Modul BW2v2/BW3 set

Article no.	Description	Quantity
102.446	Straight fitting 4-1/8"	1
103.661	Nut G1/8"	1
104.222	Manometer, 0 to 16 bar	1
116.695	Sheet support manometer	1

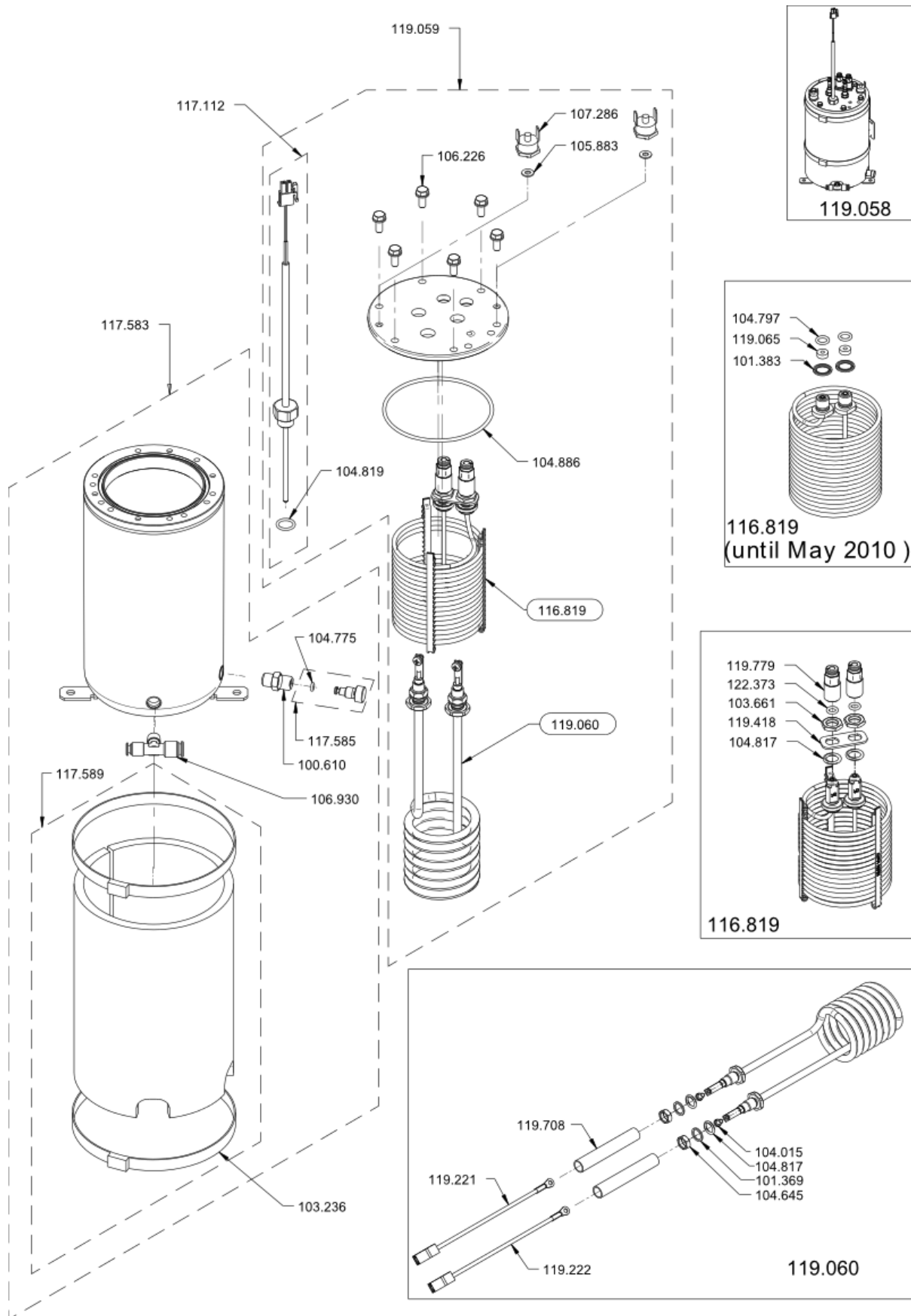
1.19.2 Pressure gauge Hyd.Modul BW2v2/BW3 set



1.19.3 Coffee boiler CTM BW3 3.2kW 16Wi. assy.

Article no.	Description	Quantity
100.610	Drain plug adapter	1
101.369	Seal ø13/10x1 for heating element	2
101.383	Seal 1/8"	2
103.236	Cable tie 550x8.9	2
103.661	Nut G1/8"	2
104.015	Phillips combi screw M04x06	2
104.645	Nut for boiler heating	2
104.775	O-Ring 2.90x1.78 FKM	1
104.797	O-Ring 6.75x1.78 FKM	2
104.817	O-Ring 9.00x2.00 EPDM	2
104.817	O-Ring 9.00x2.00 EPDM	2
104.819	O-Ring 10.82x1.78 VMQ	1
104.886	O-Ring 78.00x2.50 EPDM	1
105.883	Flat washer M4	2
106.226	Hexagon head cap screw M5x12	6
106.930	T-fitting 921QF-6-4FF-1/8K-S9	1
107.286	Thermal security 125°C HM	2
116.819	Milk heating coil 16Wi. cramp assy	1
117.112	NTC Sensor Boiler	1
117.583	Coffee boiler BW2/3 with insulation	1
117.585	Drain plug Set	1
117.589	Isolating coffee boiler BW2v2/BW3 Set	1
119.059	Heating coffee CTM BW3 3.2kW assy.	1
119.060	Heating element 3.2kW, assembly	1
119.065	Cavity disc inox	2
119.221	Cable connection AWG14 radox blue BW3	1
119.222	Cable connection AWG14 radox red BW3	1
119.418	Safety sheet	1
119.708	Insulation pipe ø12/10 x 75mm	2
119.779	Coil connection assy.	2
122.373	O-Ring 5.28x1.78 EPDM	2

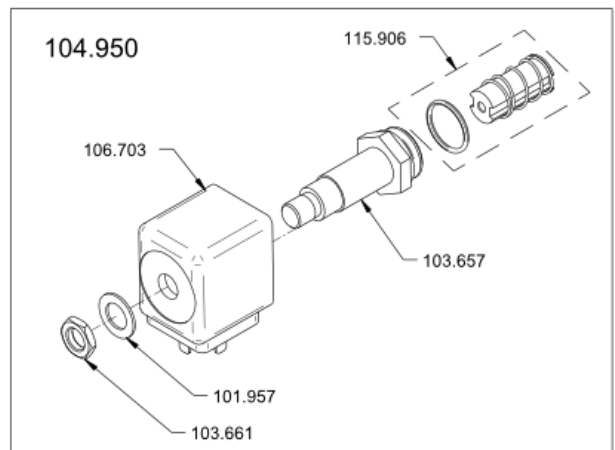
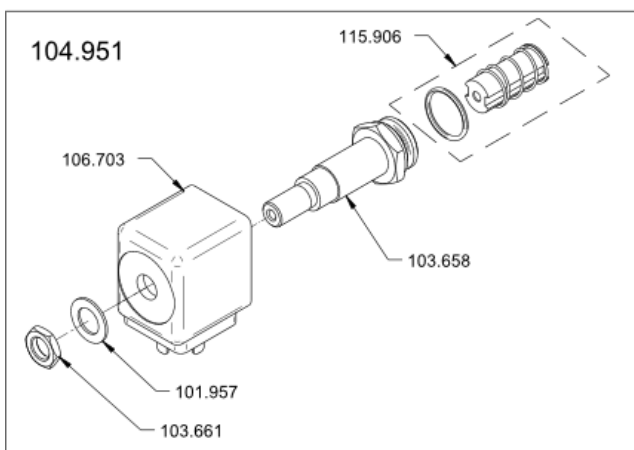
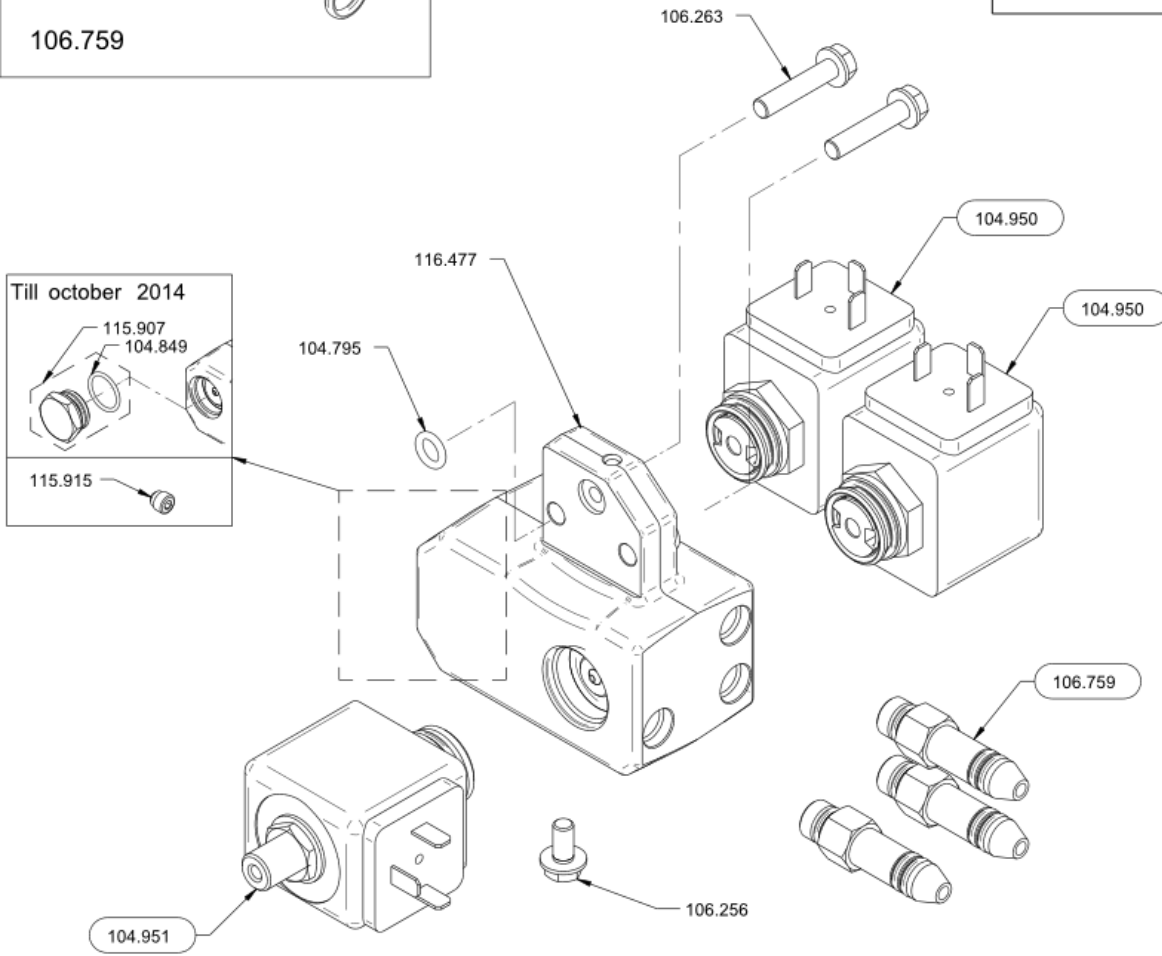
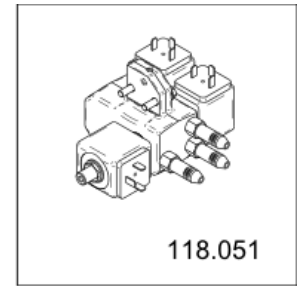
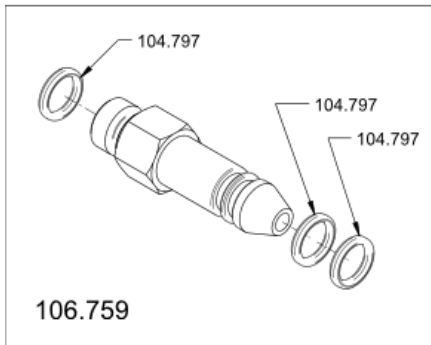
1.19.3 Coffee boiler CTM BW3 3.2kW 16Wi. assy.



1.19.4 3 valve block BW2/BW3 set

Article no.	Description	Quantity
101.957	Springwasher valve	1
101.957	Springwasher valve	1
103.657	Plunger guide Lucifer 2-way	1
103.658	Plunger guide Lucifer 3-way	1
103.661	Nut G1/8"	1
103.661	Nut G1/8"	1
104.795	O-Ring 6.07x1.78 FKM	1
104.797	O-Ring 6.75x1.78 FKM	3
104.849	O-Ring 17.17x1.78 FKM	1
104.950	Pilot valve 2/2 \varnothing 1.5/2.5mm plunger	2
104.951	Pilot valve 3/2 \varnothing 1.5/2.5mm	1
106.256	Hexagon head cap screw M5x10 with ripped	1
106.263	Hexagon head cap screw M5x25	2
106.703	Coil for Lucifer valve	1
106.759	Hydr. plug pin G1/8, assy.	3
115.906	Plunger kit Parker Lucifer	1
115.906	Plunger kit Parker Lucifer	1
115.907	Screw valve seat with seal	1
115.915	Plug G 1/8 hex. socket	1
116.477	Base 3 valve block BW2/BW3 assy.	1

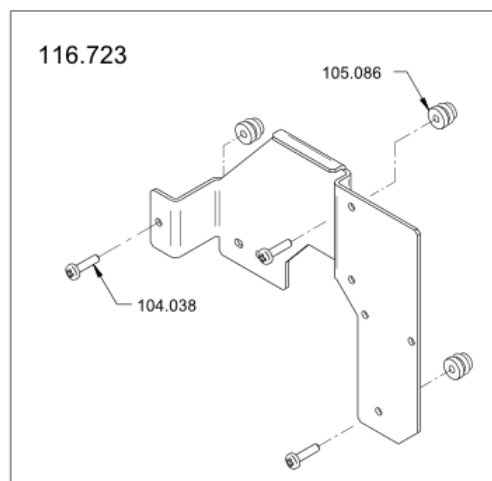
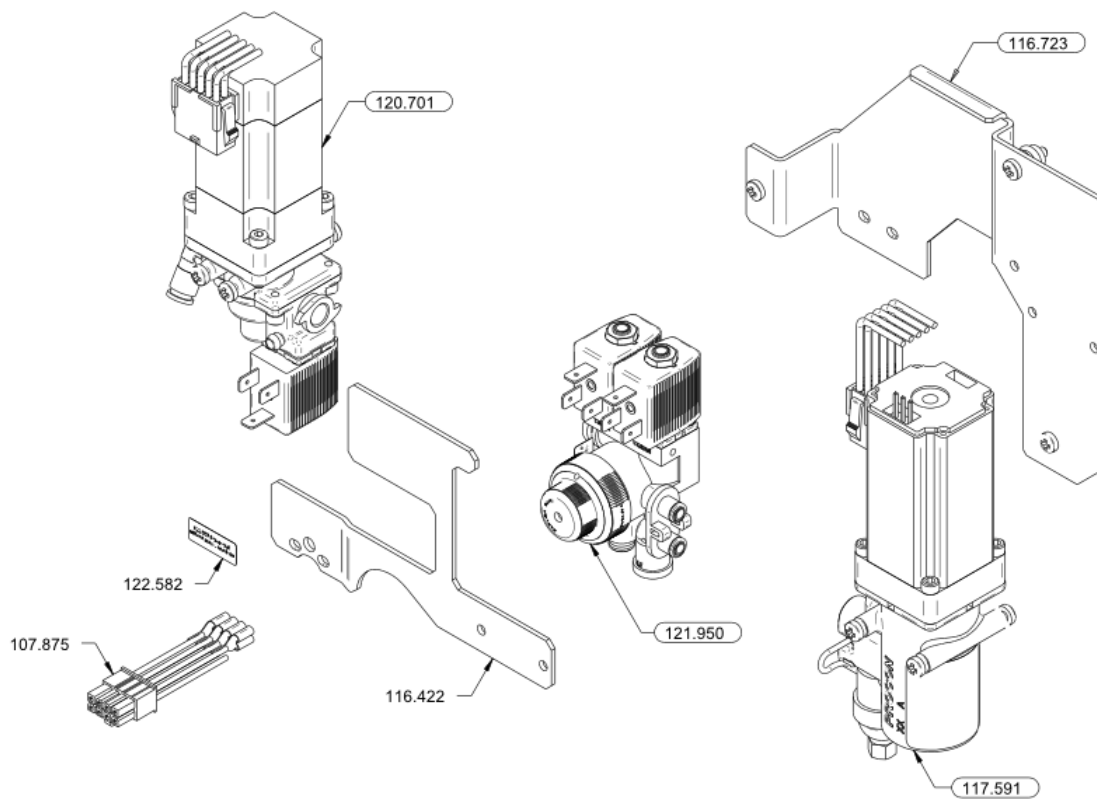
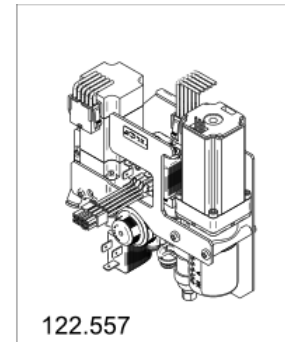
1.19.4 3 valve block BW2/BW3 set



1.19.5 Pump unit without pressreg. TCC assy.

Article no.	Description	Quantity
104.038	Oval head screw Phillips M4x16	3
105.086	Rubber mounting bush M4	3
107.875	Extension wiring harness milk	1
116.422	Sheet reinforcement BW2/BW3, BWone	1
116.723	Support for pump BW2/BW3 assy.	1
117.591	Micropump set	1
120.701	Milk pump Inox set	1
121.950	Cleaning block without pressur reducer	1
122.582	Sticker P-unit without pressregulator	1

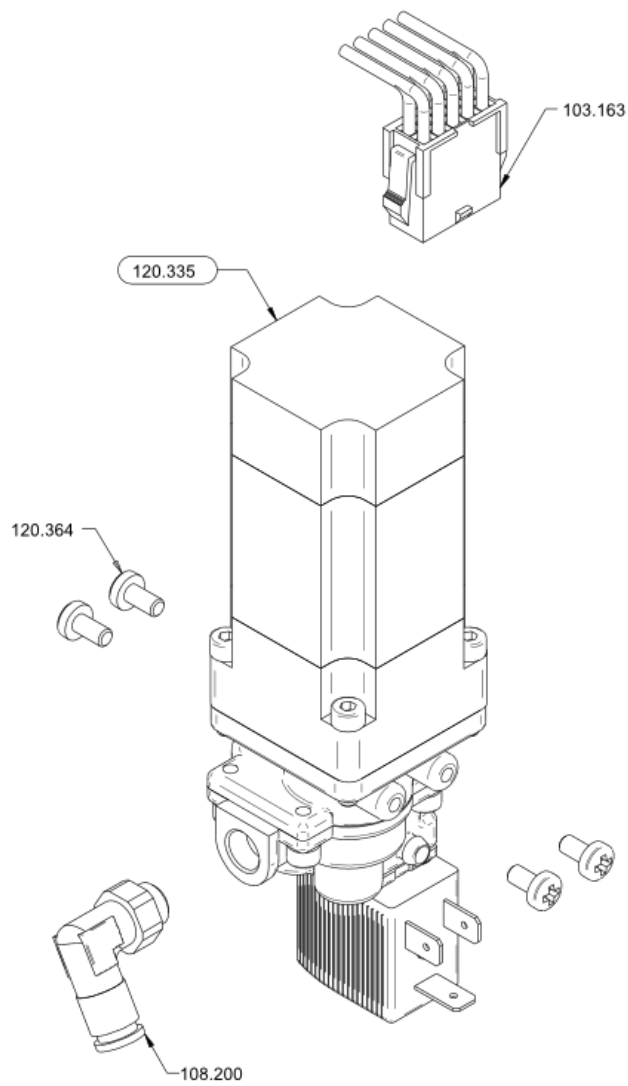
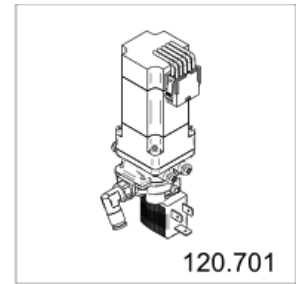
1.19.5 Pump unit without pressreg. TCC assy.



1.19.5.1 Milk pump Inox set

Article no.	Description	Quantity
103.163	Wiring harness DC-motor	1
108.200	Elbow connector 930QF-4FF-1/8-S9	1
120.335	Milk Pump inox with motor assy.	1
120.364	Screw Phillips M4x8 Tuflok	4

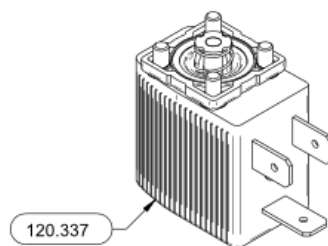
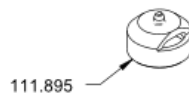
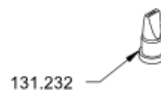
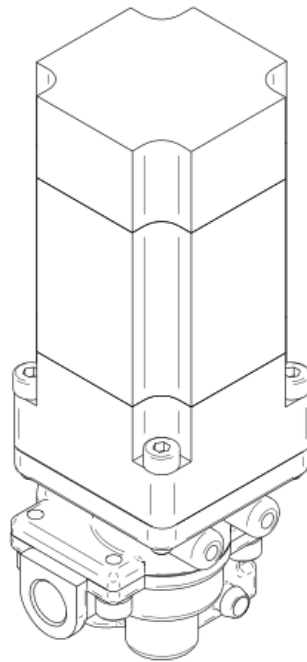
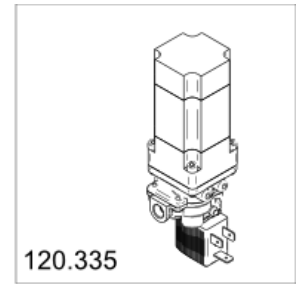
1.19.5.1 Milk pump Inox set



1.19.5.1.1 Milk Pump inox with motor assy.

Article no.	Description	Quantity
111.895	Support duckbill	1
120.337	3/2 mini solenoid valve, assy.	1
121.409	Nozzle to milk pump PEEK	1
131.232	Check valve duckbill light blue	1

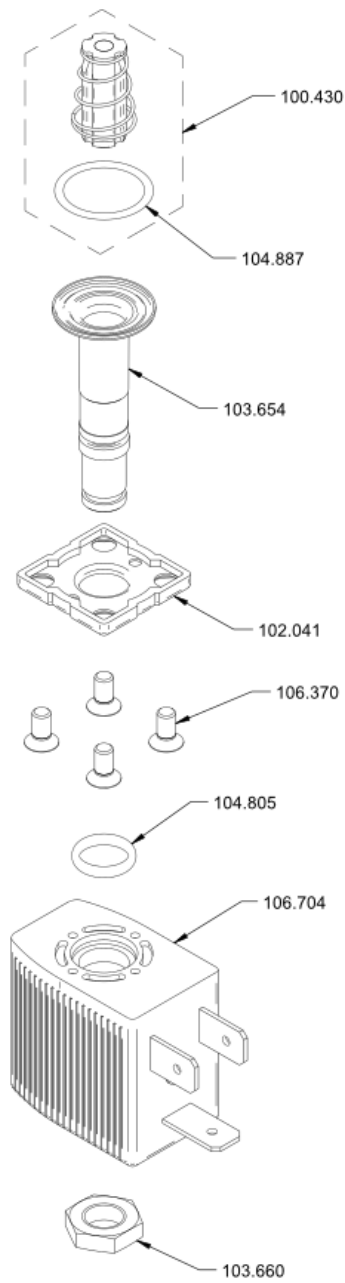
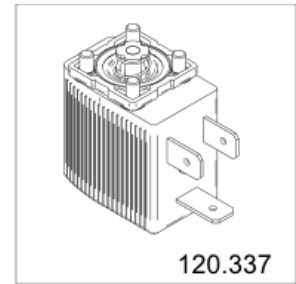
1.19.5.1.1 Milk Pump inox with motor assy.



1.19.5.1.1.1 3/2 mini solenoid valve, assy.

Article no.	Description	Quantity
100.430	Set 3/2 valve plunger with gasket	1
102.041	Flange for mini-valve	1
103.654	Plunger guide 3/2 ways mini-valve	1
103.660	Nut for mini-valve	1
104.805	O-Ring 7.50x1.50 EPDM	1
104.887	O-Ring 13.00x1.30 EPDM	1
106.370	Countersunk screw M3x6 Torx	4
106.704	Coil for mini-valve	1

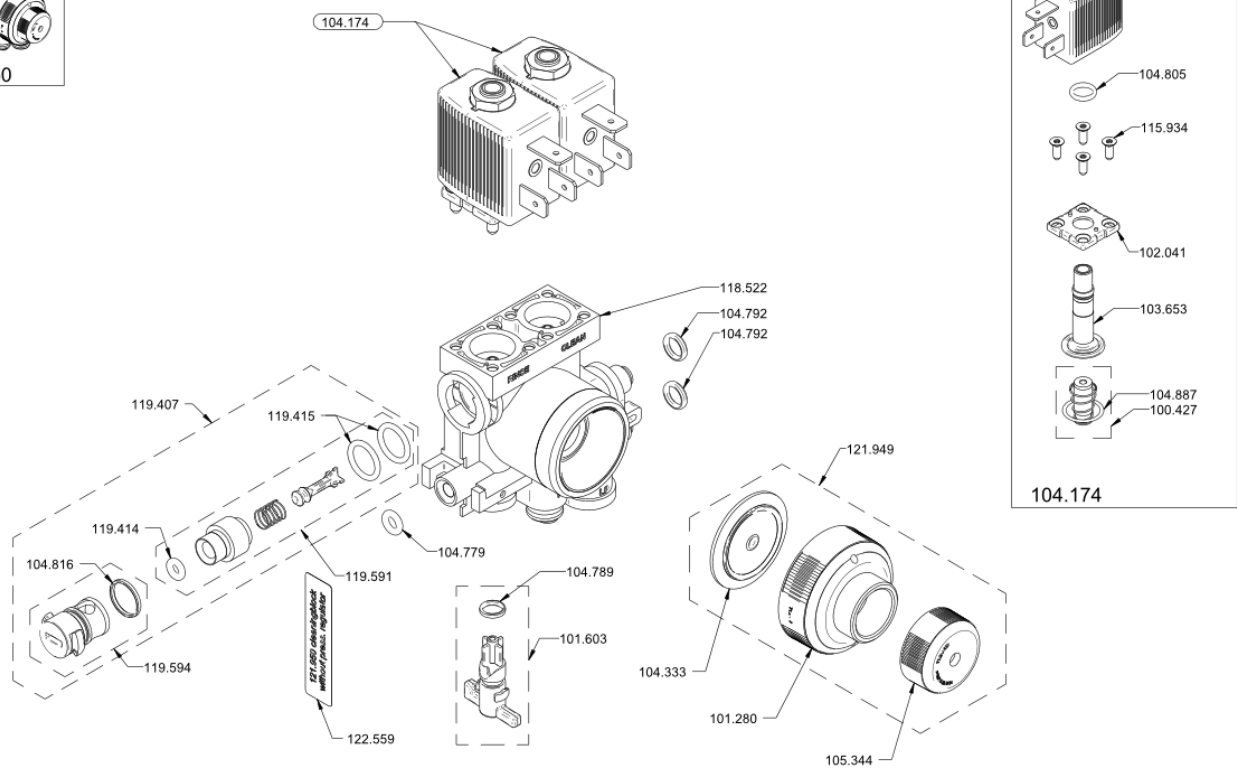
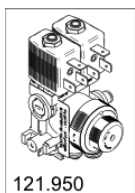
1.19.5.1.1.1 3/2 mini solenoid valve, assy.



1.19.5.2 Cleaning block without pressur reducer

Article no.	Description	Quantity
100.427	Set 2/2 valve plunger with gasket	1
101.280	Cover pressure regulator	1
101.603	Milk bloc flowmeter assy.	1
102.041	Flange for mini-valve	1
103.653	Plunger guide 2/2 ways mini-valve	1
103.660	Nut for mini-valve	1
104.174	2/2 solenoid valve, assy.	2
104.333	Membrane ø28 pressure regulator	1
104.779	O-Ring 3.69x1.78 EPDM	1
104.789	O-Ring 5.00x1.00 EPDM	1
104.792	O-Ring 5.00x1.50 FKM	2
104.805	O-Ring 7.50x1.50 EPDM	1
104.816	O-Ring 9.00x1.00 EPDM	1
104.887	O-Ring 13.00x1.30 EPDM	1
105.344	Screw plug M18x1.5	1
106.704	Coil for mini-valve	1
115.934	PT flat head screws Torx K30x08	4
118.522	Basis block milk module assy.	1
119.407	Milk check valve assy.	1
119.414	O-Ring 2.90x1.78 EPDM	1
119.415	O-Ring 8.00x1.50 EPDM	2
119.591	Milk check valve	1
119.594	Cover check valve milk, assy.	1
121.949	Pressure regulator LCC, assy.	1
122.559	Sticker c-block without pressregulator	1

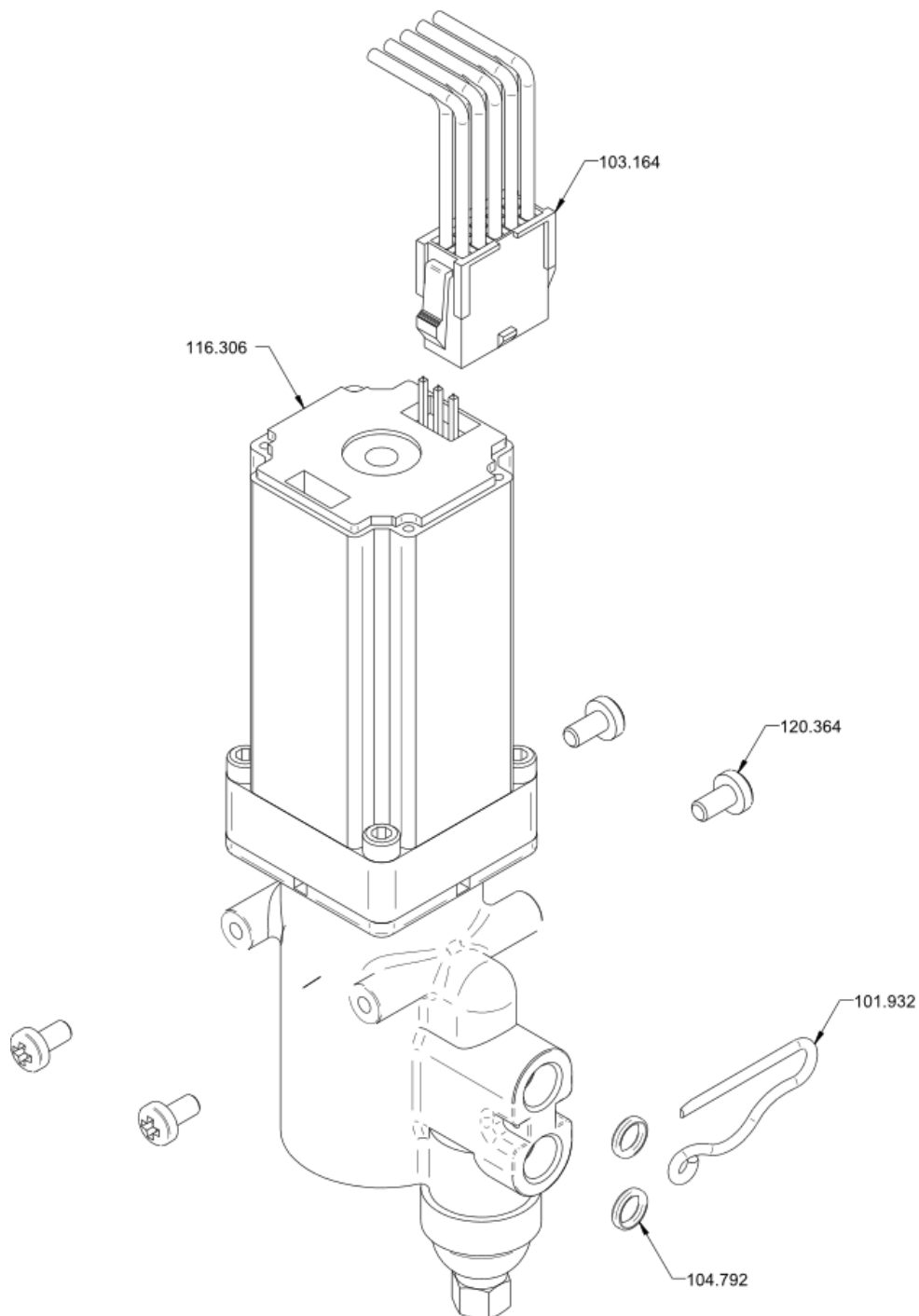
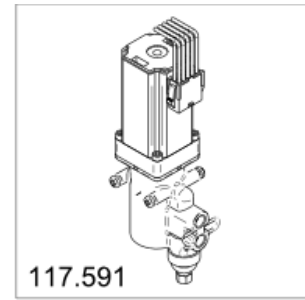
1.19.5.2 Cleaning block without pressur reducer



1.19.5.3 Micropump set

Article no.	Description	Quantity
101.932	Spring clip pump	1
103.164	Wiring harness motor with filter	1
104.792	O-Ring 5.00x1.50 FKM	2
116.306	Micropump assy. (Procon)	1
120.364	Screw Phillips M4x8 Tuflok	4

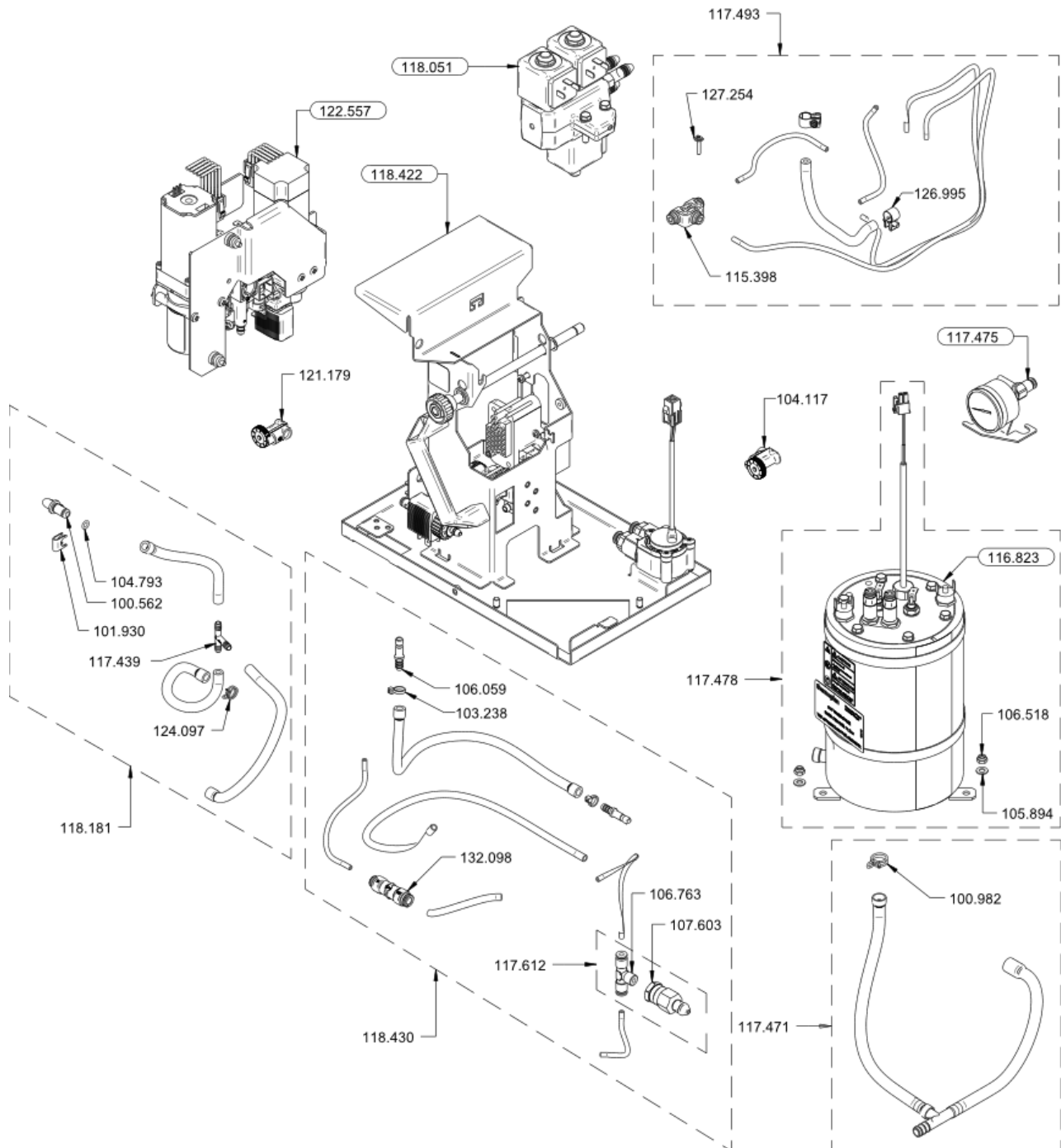
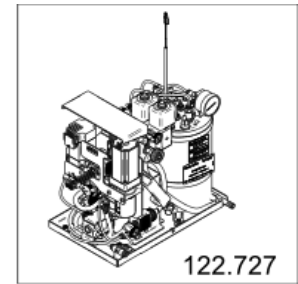
1.19.5.3 Micropump set



1.20 Hyd. Modul CTM 2.5kW TCC

Article no.	Description	Quantity
100.562	Elbow connector	1
100.982	Clip for silicone hose	1
101.930	Spring clip	1
103.238	Cable tie	2
104.117	Air regulator red 0.0mm	1
104.793	O-Ring 5.00x1.50 MVQ	1
105.894	Washer M5	2
106.059	Coupling ø6	2
106.518	Prevailing torque hex nut M5	2
106.763	T-Fitting 941QF-4FF-1/8K-S9	1
107.603	Pressure valve V3 coffee boiler	1
115.398	T-connector 4-4	1
116.823	Coffee boiler CTM BW2/3 assy.	1
117.439	T-Connector (POM) for tube ø4mm	1
117.471	Drain tube Set	1
117.475	Pressure gauge Hyd.Modul BW2v2/BW3 set	1
117.478	Boiler CTM BW2/3 Set	1
117.493	Milk pressure tube Set	1
117.612	Check valve Hyd.Mod. BW2v2/BW3 Set	1
118.051	3 valve block BW2/BW3 set	1
118.181	Air tube BW2v3/BW3v3 set	1
118.422	Frame hydraulic CTM BW2/BW3 assy.	1
118.430	Pressure tube BW2v3 BW3v3 Set	1
121.179	Air regulator blue 0.0mm	1
122.557	Pump unit without pressreg. TCC assy.	1
124.097	Clip for silicone hose ø9.6mm	1
126.995	Clip for silicone hose FIT-Mini ø9mm	2
127.254	Oval head screw Phillips M3x16	1
132.098	Check valve ø6-ø4	1

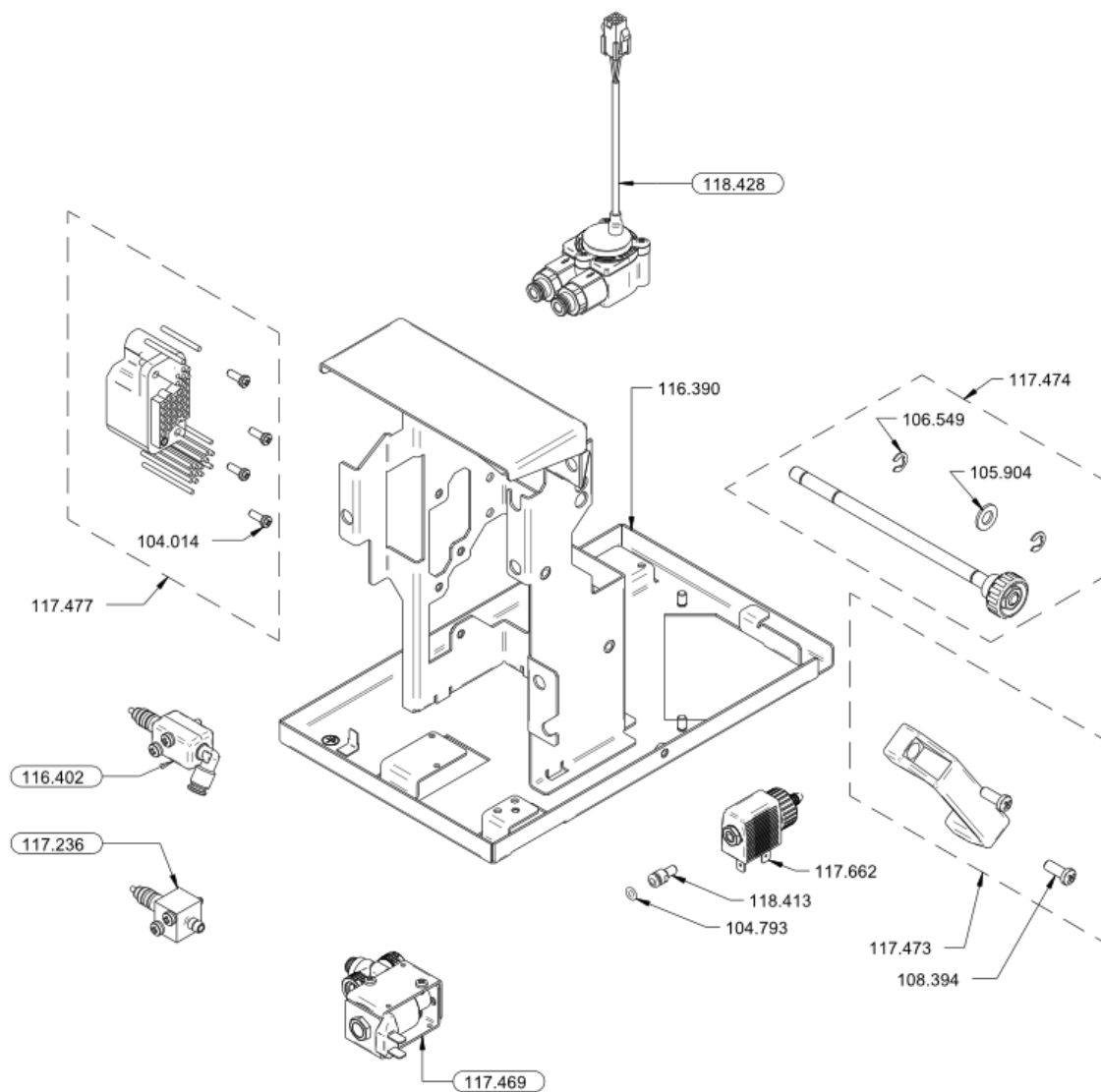
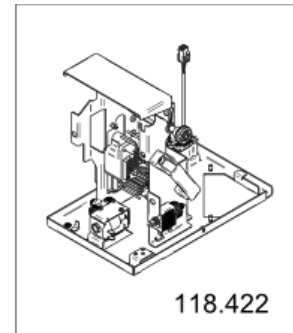
1.20 Hyd. Modul CTM 2.5kW TCC



1.20.1 Frame hydraulic CTM BW2/BW3 assy.

Article no.	Description	Quantity
104.014	Oval head Phillips combi screw M4x12	4
104.793	O-Ring 5.00x1.50 MVQ	1
105.904	Washer M8	1
106.549	Circlip for shaft ø6	2
108.394	Socket flat head screw Phillips M6x16	2
116.390	Hydr. base plate BW2/3	1
116.402	Water entry clip BW2/BW3 assy.	1
117.236	Milk inlet connector BW2/BW3 assy.	1
117.469	Diaphragm valve Hyd.Mod BW2v2/BW3	1
117.473	Handle Set	1
117.474	Mounting Hyd. Mod. BW2v2/BW3 Set	1
117.477	Wiring harness Hyd. Mod. BW2v2/BW3 Set	1
117.662	Air mini-valve	1
118.413	Aircontroler support	1
118.428	prePump Flowmeter Molex	1

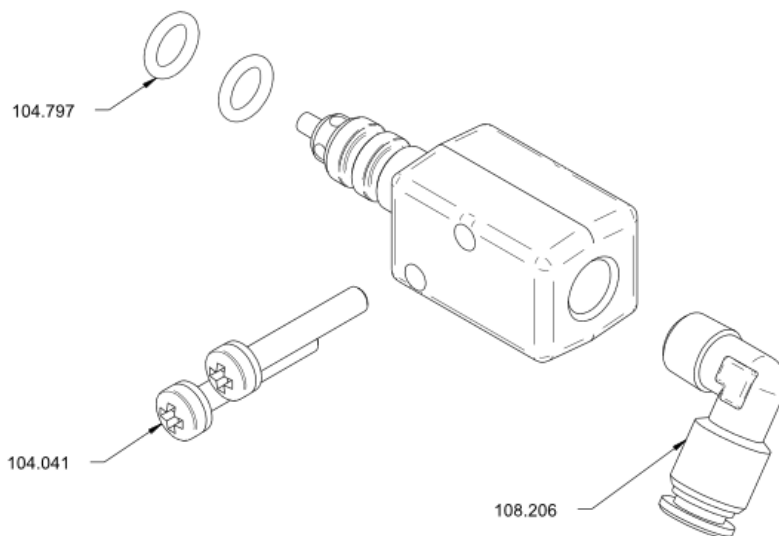
1.20.1 Frame hydraulic CTM BW2/BW3 assy.



1.20.1.1 Water entry clip BW2/BW3 assy.

Article no.	Description	Quantity
104.041	Oval head screw Phillips M4x25	2
104.797	O-Ring 6.75x1.78 FKM	2
108.206	Elbow connector 6-1/8K	1

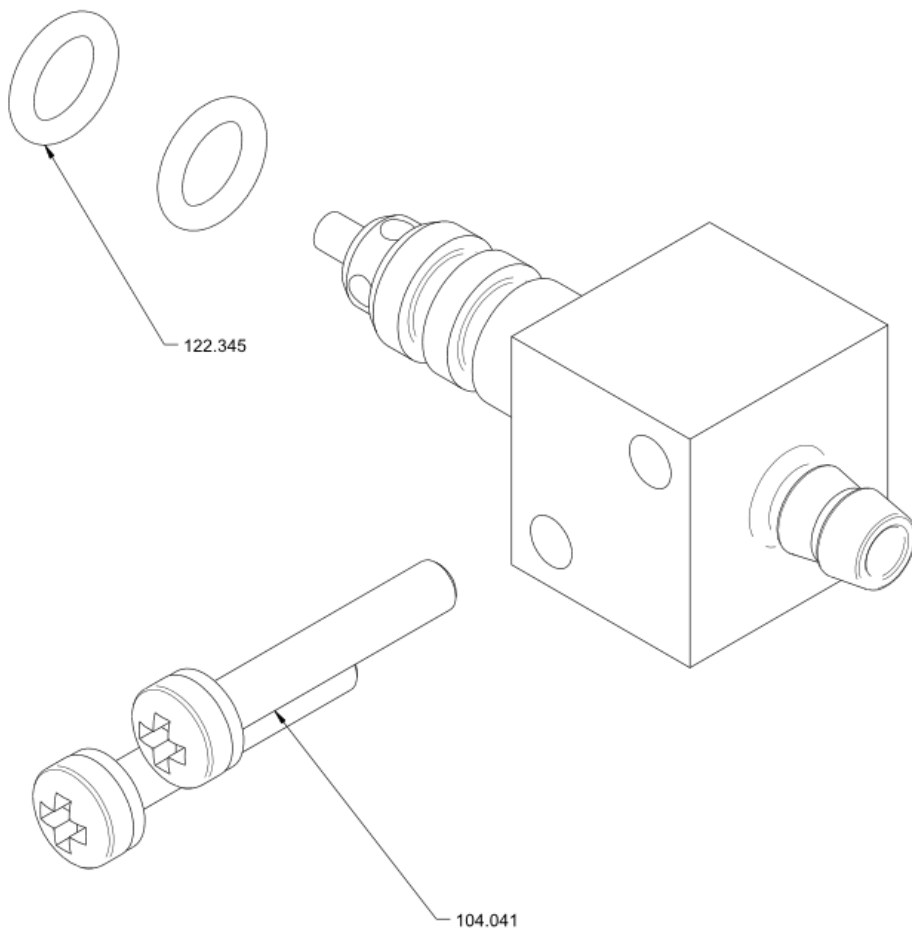
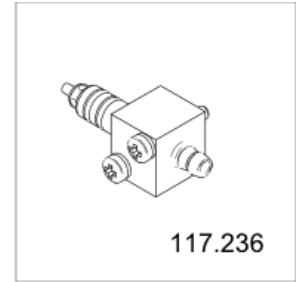
1.20.1.1 Water entry clip BW2/BW3 assy.



1.20.1.2 Milk inlet connector BW2/BW3 assy.

Article no.	Description	Quantity
104.041	Oval head screw Phillips M4x25	2
122.345	O-Ring 6.75x1.78 EPDM	2

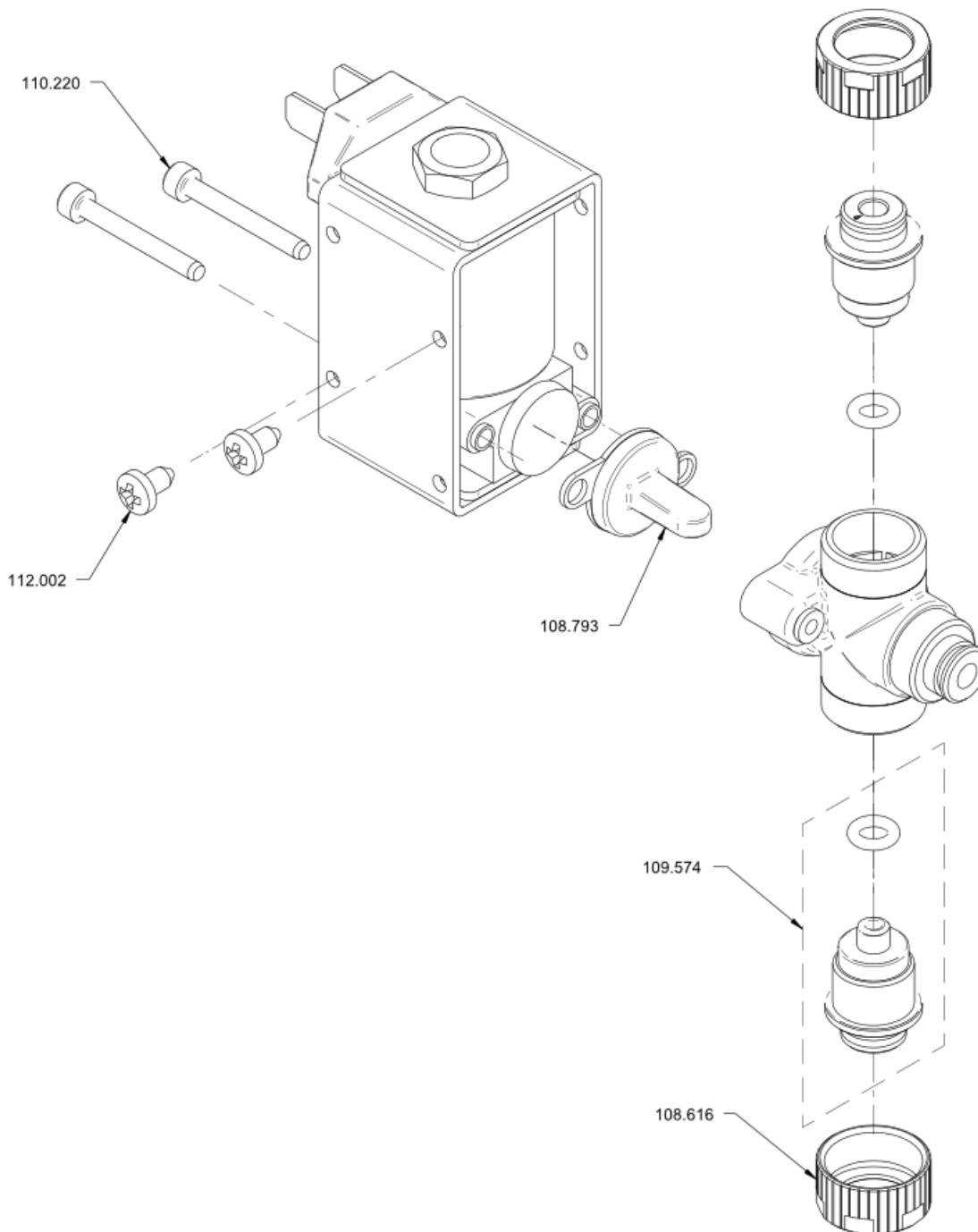
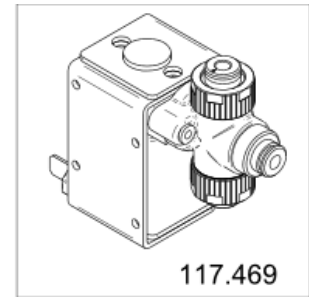
1.20.1.2 Milk inlet connector BW2/BW3 assy.



1.20.1.3 Diaphragm valve Hyd.Mod BW2v2/BW3

Article no.	Description	Quantity
108.616	Grooved nut diaphragm valve	2
108.793	Diaphragm	1
109.574	Insert Valve Magma ø4 with O-ring	2
110.220	Socket head screw M3x25	2
112.002	Phillips sheet screw ST 3.5x6.5	2

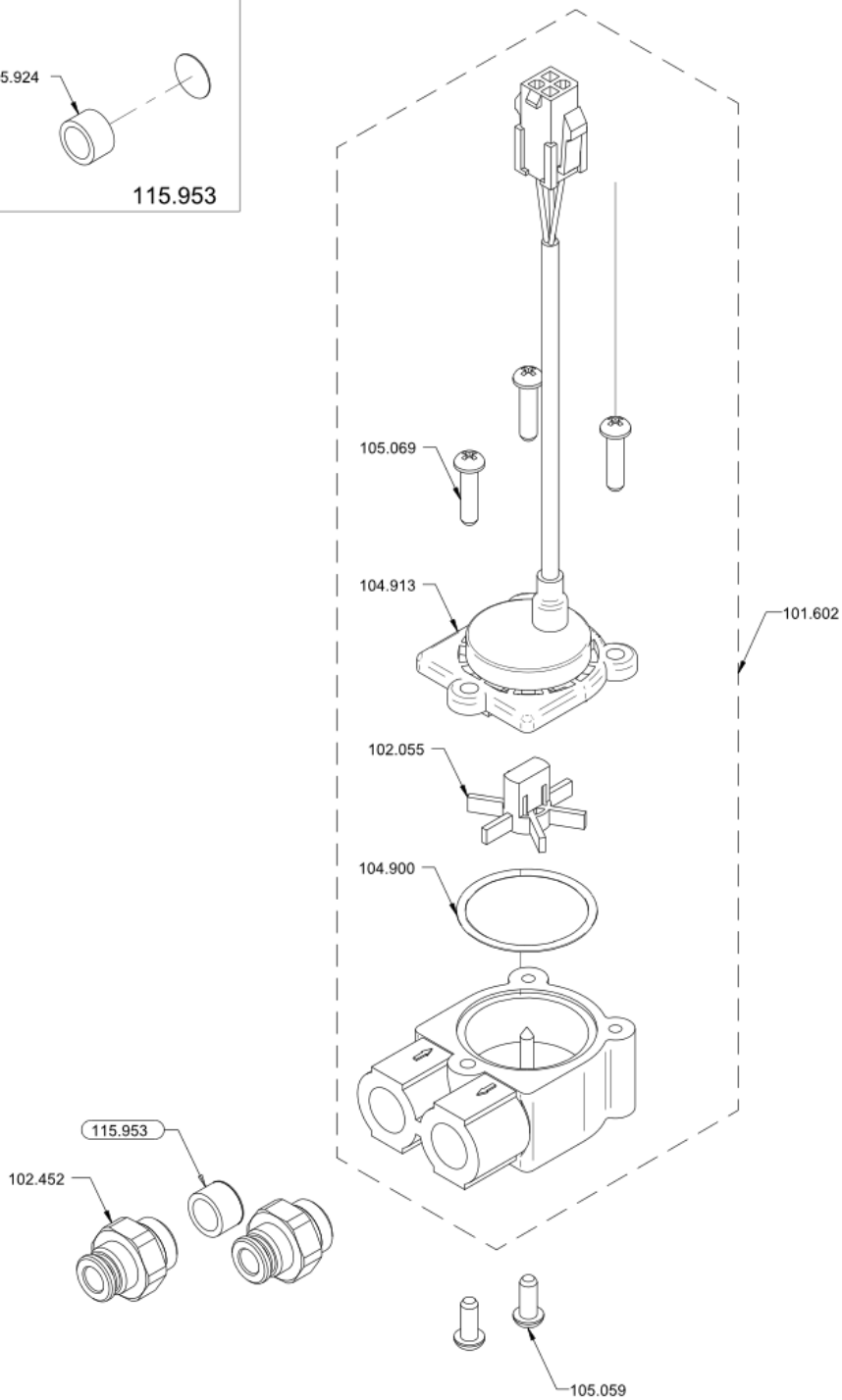
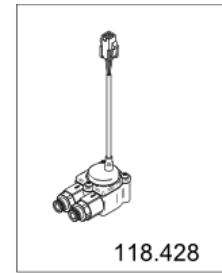
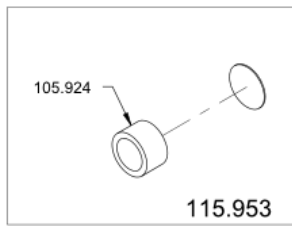
1.20.1.3 Diaphragm valve Hyd.Mod BW2v2/BW3



1.20.1.4 prePump Flowmeter Molex

Article no.	Description	Quantity
101.602	Flow meter Molex assy.	1
102.055	Wheel flowmeter	1
102.452	Straight connection 6-1/4"	2
104.900	O-Ring 28.3x1.78 MVQ	1
104.913	Flow meter head FHK Molex	1
105.059	Oval head PT screw Phillips KA40x10	2
105.069	Oval head PT screw Phillips KA40x16	3
105.924	Sleeve	1
115.953	Water strainer flowmeter	1

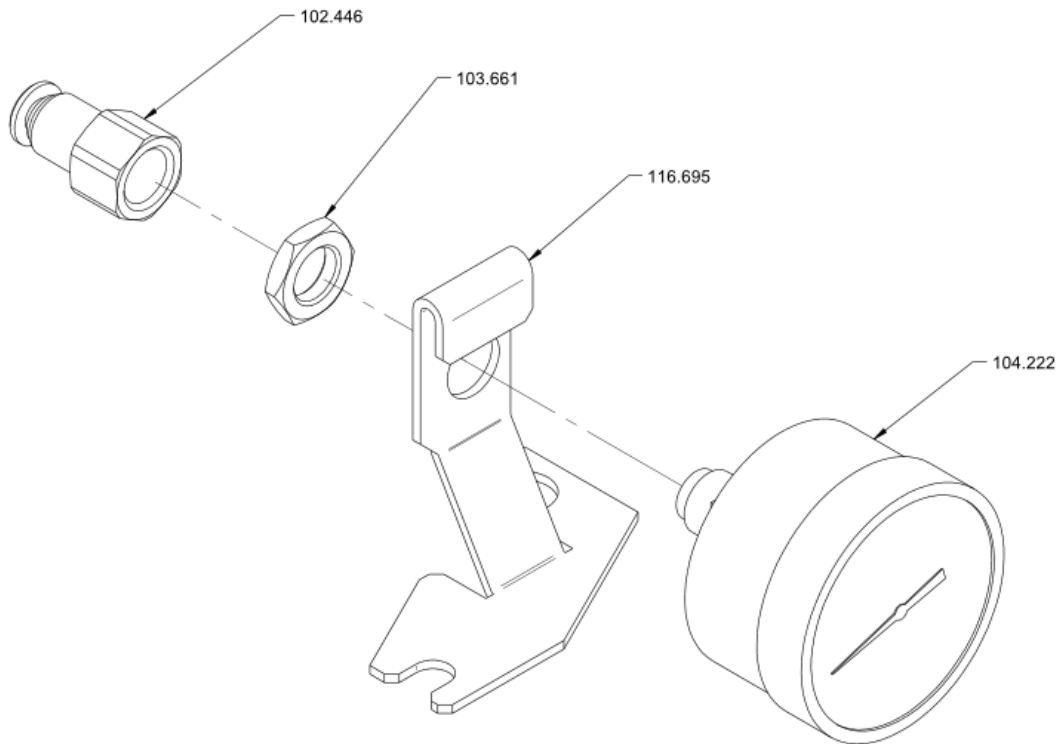
1.20.1.4 prePump Flowmeter Molex



1.20.2 Pressure gauge Hyd.Modul BW2v2/BW3 set

Article no.	Description	Quantity
102.446	Straight fitting 4-1/8"	1
103.661	Nut G1/8"	1
104.222	Manometer, 0 to 16 bar	1
116.695	Sheet support manometer	1

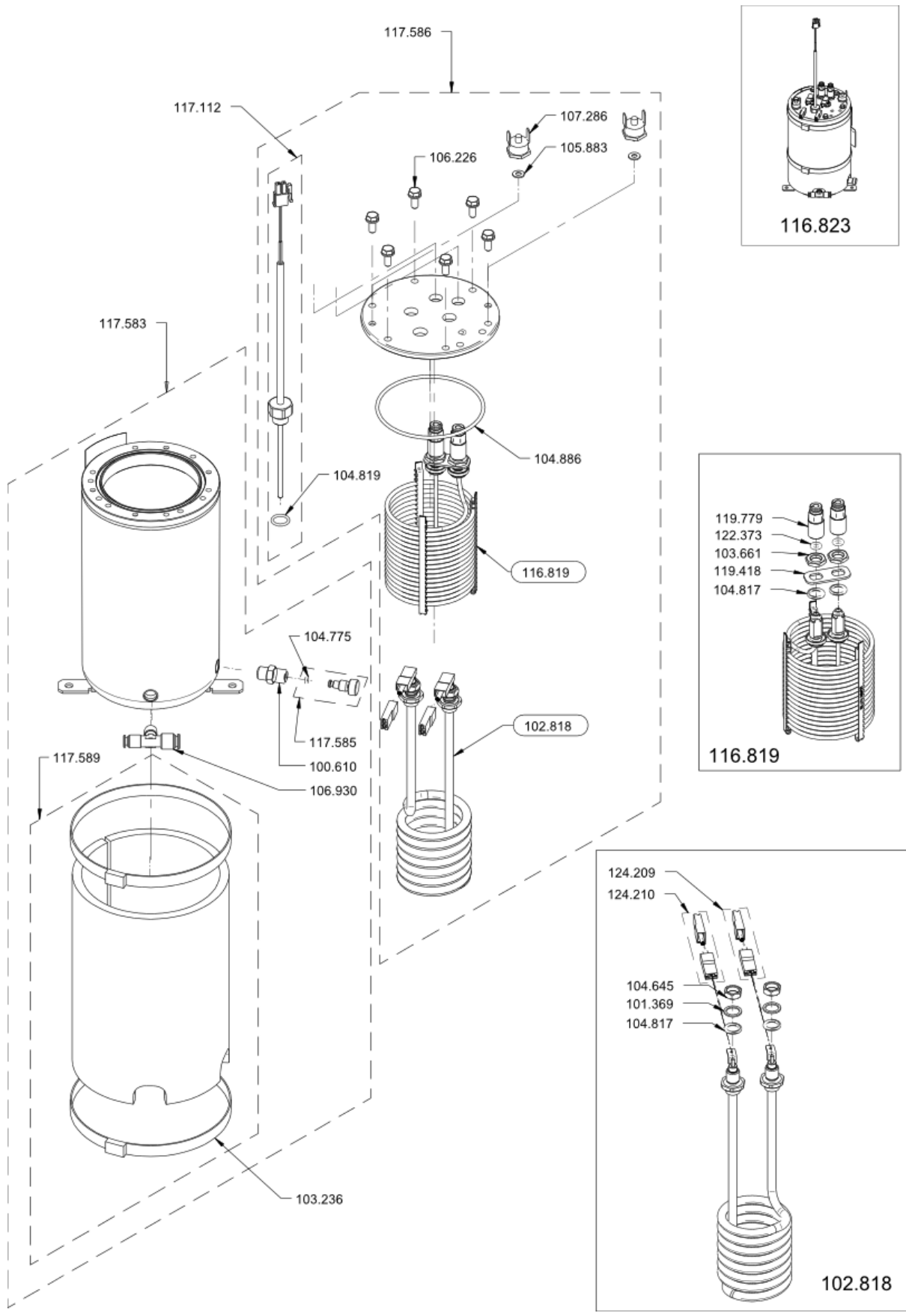
1.20.2 Pressure gauge Hyd.Modul BW2v2/BW3 set



1.20.3 Coffee boiler CTM BW2/3 assy.

Article no.	Description	Quantity
100.610	Drain plug adapter	1
101.369	Seal ø13/10x1 for heating element	2
102.818	Heating element 2.5KW, assembly	1
103.236	Cable tie 550x8.9	2
103.661	Nut G1/8"	2
104.645	Nut for boiler heating	2
104.775	O-Ring 2.90x1.78 FKM	1
104.817	O-Ring 9.00x2.00 EPDM	2
104.817	O-Ring 9.00x2.00 EPDM	2
104.819	O-Ring 10.82x1.78 VMQ	1
104.886	O-Ring 78.00x2.50 EPDM	1
105.883	Flat washer M4	2
106.226	Hexagon head cap screw M5x12	6
106.930	T-fitting 921QF-6-4FF-1/8K-S9	1
107.286	Thermal security 125°C HM	2
116.819	Milk heating coil 16Wi. cramp assy	1
117.112	NTC Sensor Boiler	1
117.583	Coffee boiler BW2/3 with insulation	1
117.585	Drain plug Set	1
117.586	Heating coffee CTM BW2/3 assy.	1
117.589	Isolating coffee boiler BW2v2/BW3 Set	1
119.418	Safety sheet	1
119.779	Coil connection assy.	2
122.373	O-Ring 5.28x1.78 EPDM	2
124.209	Connect. cable blue 2.5kW	1
124.210	Connect. cable red 2.5kW	1

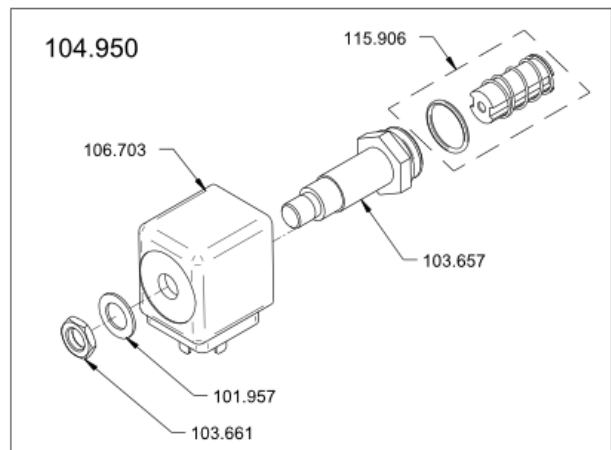
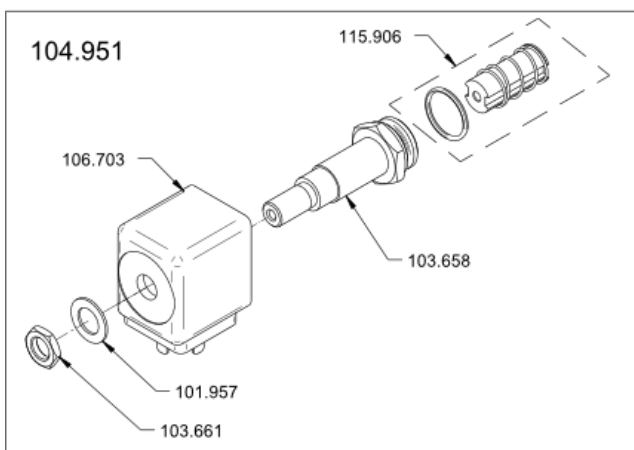
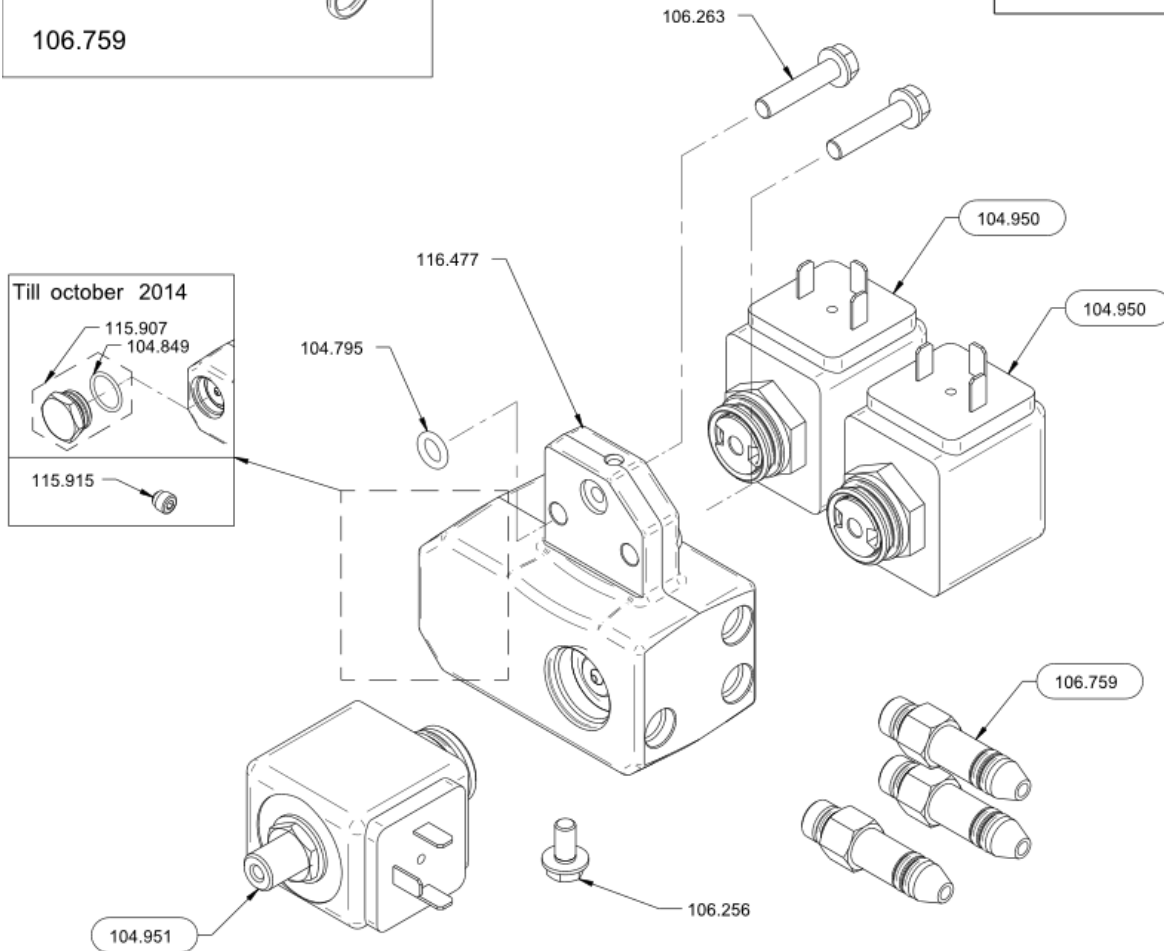
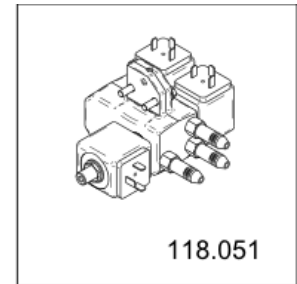
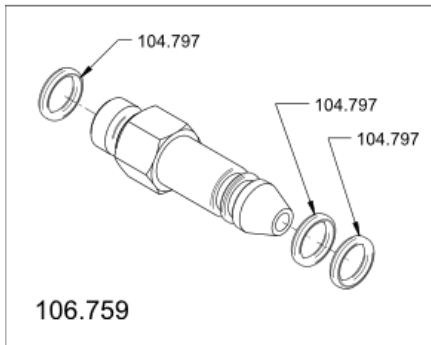
1.20.3 Coffee boiler CTM BW2/3 assy.



1.20.4 3 valve block BW2/BW3 set

Article no.	Description	Quantity
101.957	Springwasher valve	1
101.957	Springwasher valve	1
103.657	Plunger guide Lucifer 2-way	1
103.658	Plunger guide Lucifer 3-way	1
103.661	Nut G1/8"	1
103.661	Nut G1/8"	1
104.795	O-Ring 6.07x1.78 FKM	1
104.797	O-Ring 6.75x1.78 FKM	3
104.849	O-Ring 17.17x1.78 FKM	1
104.950	Pilot valve 2/2 \varnothing 1.5/2.5mm plunger	2
104.951	Pilot valve 3/2 \varnothing 1.5/2.5mm	1
106.256	Hexagon head cap screw M5x10 with ripped	1
106.263	Hexagon head cap screw M5x25	2
106.703	Coil for Lucifer valve	1
106.759	Hydr. plug pin G1/8, assy.	3
115.906	Plunger kit Parker Lucifer	1
115.906	Plunger kit Parker Lucifer	1
115.907	Screw valve seat with seal	1
115.915	Plug G 1/8 hex. socket	1
116.477	Base 3 valve block BW2/BW3 assy.	1

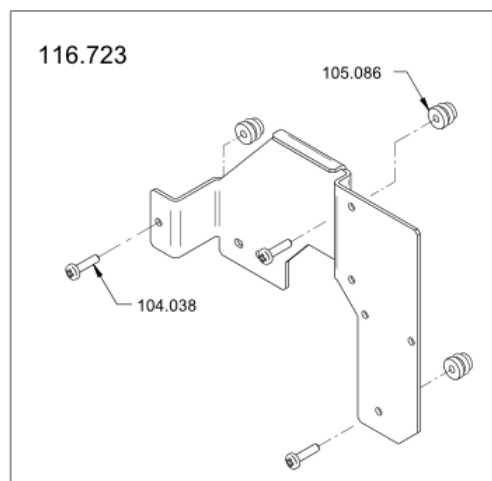
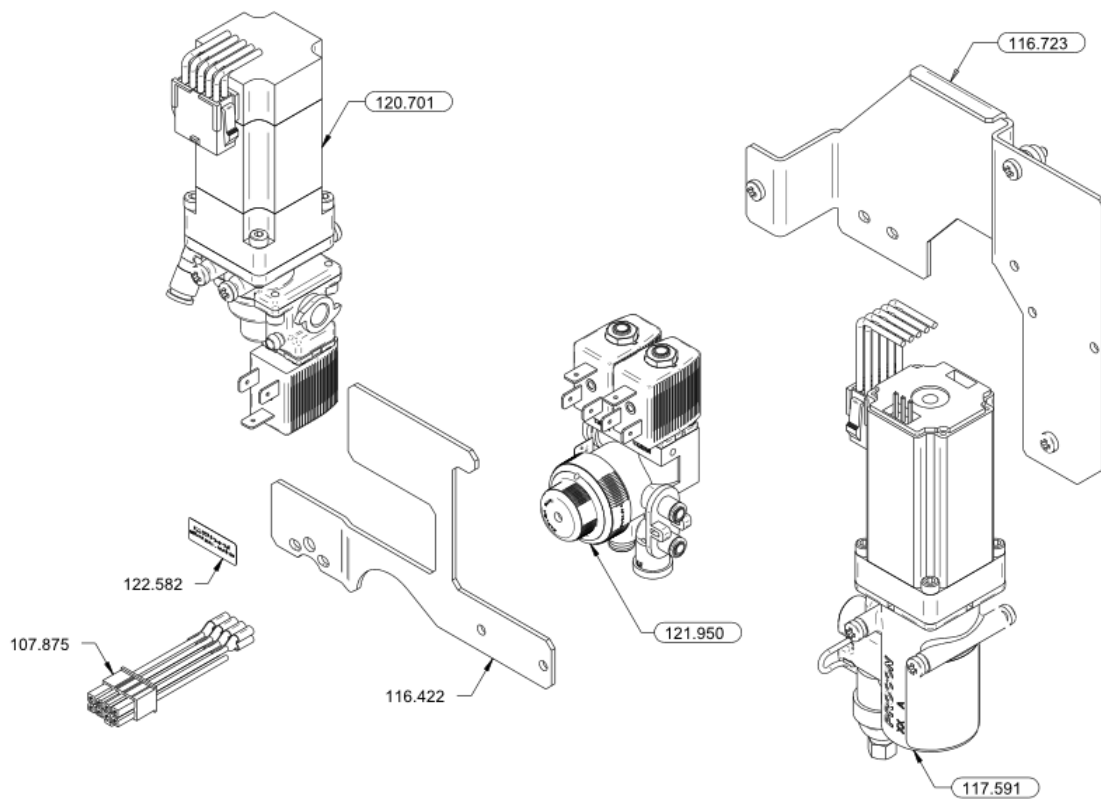
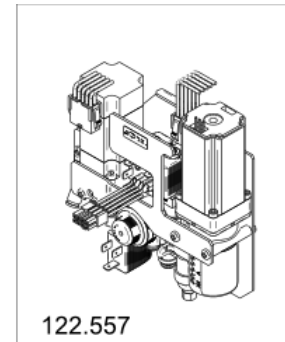
1.20.4 3 valve block BW2/BW3 set



1.20.5 Pump unit without pressreg. TCC assy.

Article no.	Description	Quantity
104.038	Oval head screw Phillips M4x16	3
105.086	Rubber mounting bush M4	3
107.875	Extension wiring harness milk	1
116.422	Sheet reinforcement BW2/BW3, BWone	1
116.723	Support for pump BW2/BW3 assy.	1
117.591	Micropump set	1
120.701	Milk pump Inox set	1
121.950	Cleaning block without pressur reducer	1
122.582	Sticker P-unit without pressregulator	1

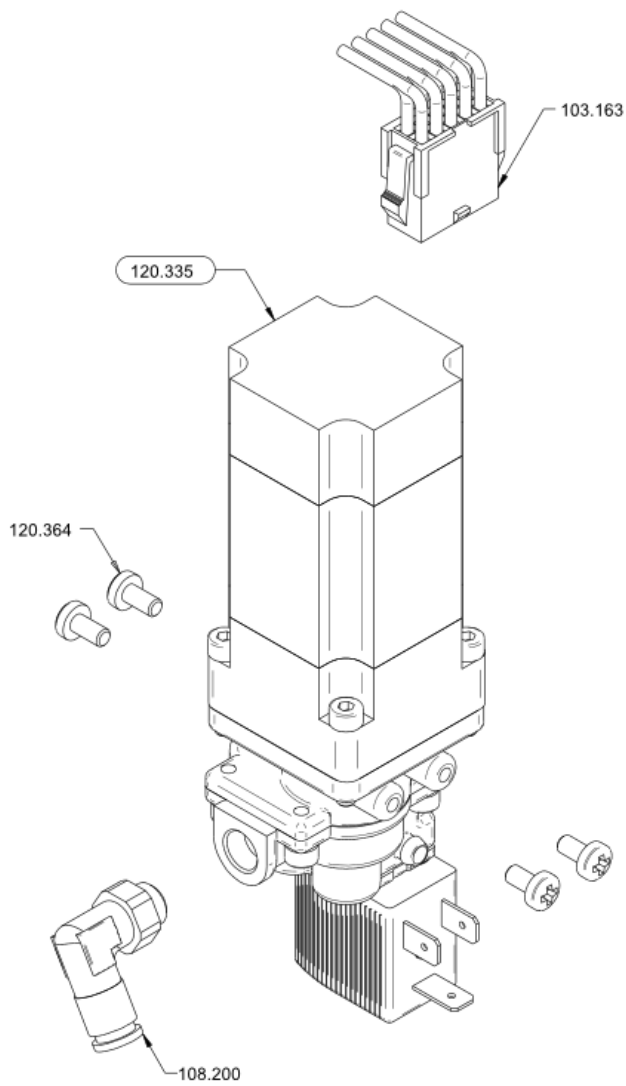
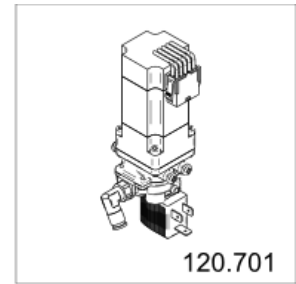
1.20.5 Pump unit without pressreg. TCC assy.



1.20.5.1 Milk pump Inox set

Article no.	Description	Quantity
103.163	Wiring harness DC-motor	1
108.200	Elbow connector 930QF-4FF-1/8-S9	1
120.335	Milk Pump inox with motor assy.	1
120.364	Screw Phillips M4x8 Tuflok	4

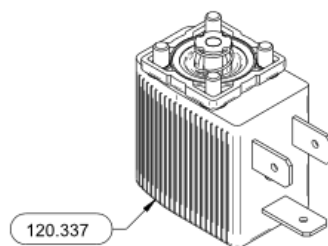
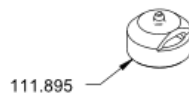
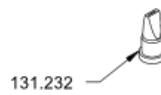
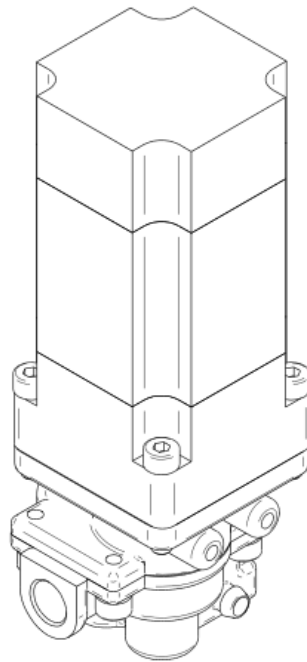
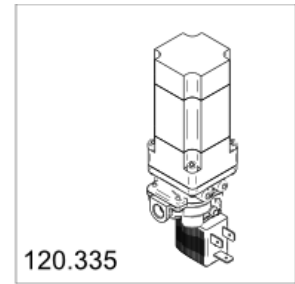
1.20.5.1 Milk pump Inox set



1.20.5.1.1 Milk Pump inox with motor assy.

Article no.	Description	Quantity
111.895	Support duckbill	1
120.337	3/2 mini solenoid valve, assy.	1
121.409	Nozzle to milk pump PEEK	1
131.232	Check valve duckbill light blue	1

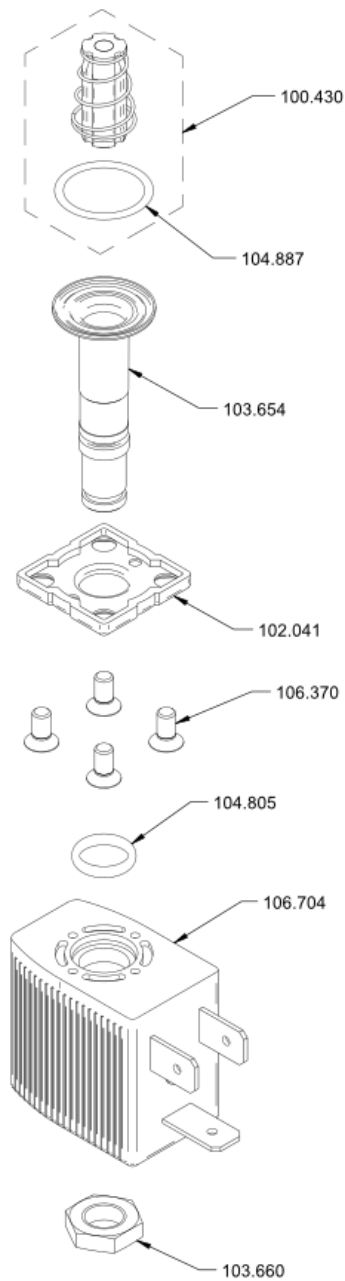
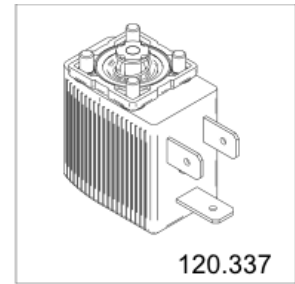
1.20.5.1.1 Milk Pump inox with motor assy.



1.20.5.1.1.1 3/2 mini solenoid valve, assy.

Article no.	Description	Quantity
100.430	Set 3/2 valve plunger with gasket	1
102.041	Flange for mini-valve	1
103.654	Plunger guide 3/2 ways mini-valve	1
103.660	Nut for mini-valve	1
104.805	O-Ring 7.50x1.50 EPDM	1
104.887	O-Ring 13.00x1.30 EPDM	1
106.370	Countersunk screw M3x6 Torx	4
106.704	Coil for mini-valve	1

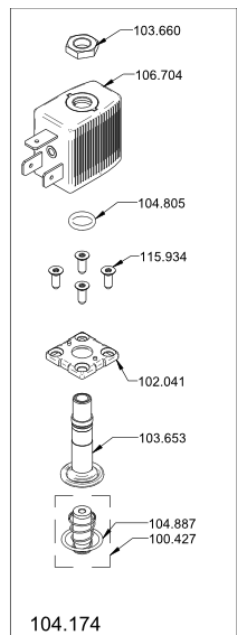
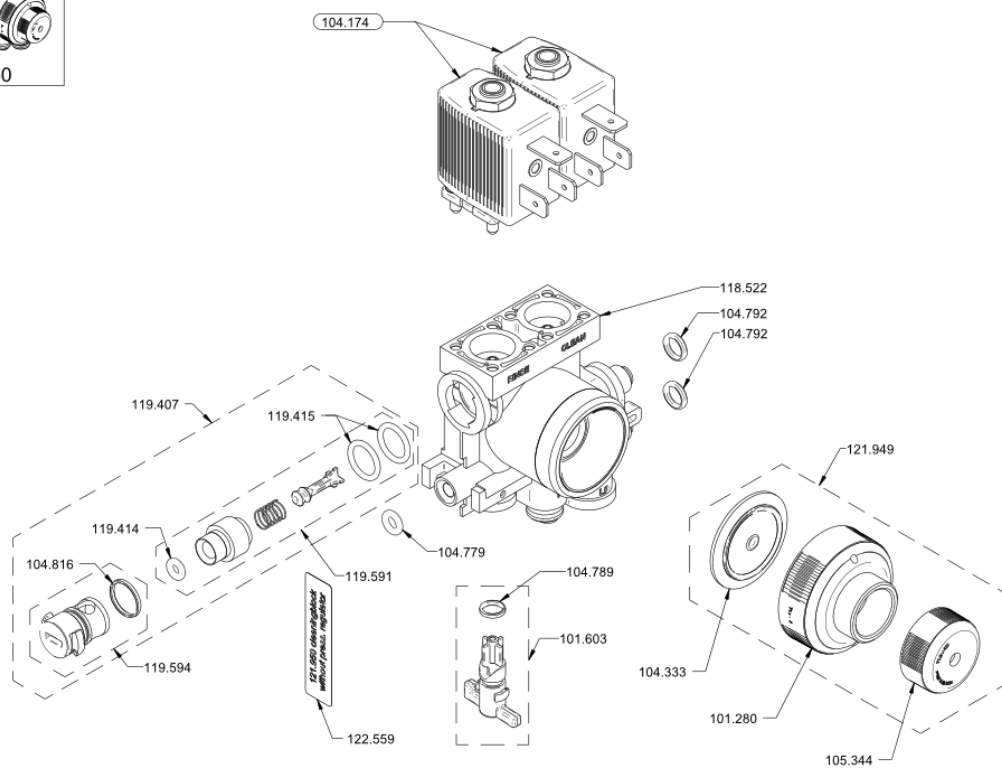
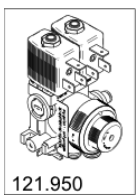
1.20.5.1.1.1 3/2 mini solenoid valve, assy.



1.20.5.2 Cleaning block without pressur reducer

Article no.	Description	Quantity
100.427	Set 2/2 valve plunger with gasket	1
101.280	Cover pressure regulator	1
101.603	Milk bloc flowmeter assy.	1
102.041	Flange for mini-valve	1
103.653	Plunger guide 2/2 ways mini-valve	1
103.660	Nut for mini-valve	1
104.174	2/2 solenoid valve, assy.	2
104.333	Membrane ø28 pressure regulator	1
104.779	O-Ring 3.69x1.78 EPDM	1
104.789	O-Ring 5.00x1.00 EPDM	1
104.792	O-Ring 5.00x1.50 FKM	2
104.805	O-Ring 7.50x1.50 EPDM	1
104.816	O-Ring 9.00x1.00 EPDM	1
104.887	O-Ring 13.00x1.30 EPDM	1
105.344	Screw plug M18x1.5	1
106.704	Coil for mini-valve	1
115.934	PT flat head screws Torx K30x08	4
118.522	Basis block milk module assy.	1
119.407	Milk check valve assy.	1
119.414	O-Ring 2.90x1.78 EPDM	1
119.415	O-Ring 8.00x1.50 EPDM	2
119.591	Milk check valve	1
119.594	Cover check valve milk, assy.	1
121.949	Pressure regulator LCC, assy.	1
122.559	Sticker c-block without pressregulator	1

1.20.5.2 Cleaning block without pressur reducer



1.20.5.3 Micropump set

Article no.	Description	Quantity
101.932	Spring clip pump	1
103.164	Wiring harness motor with filter	1
104.792	O-Ring 5.00x1.50 FKM	2
116.306	Micropump assy. (Procon)	1
120.364	Screw Phillips M4x8 Tuflok	4

1.20.5.3 Micropump set

