

Spare parts catalogue

BW4 compact



Content

1 BW4 compact.....	4	1.6.7 Outlet BW4c CTM-P-F lock assy.	98
1.1 BW4c Cloud Interface	6	1.6.7.1 Supporter plate with housing lock assy....	100
1.2 Assortment Cover Sheet	8	1.6.7.2 Support outlet insert CTM-P-F set	102
1.2.1 Cover sheets BW4c CTM.....	10	1.6.8 Outlet BW4c CTM-P-F-RS lock. assy.	104
1.2.2 Cover sheets BW4(c) 398.....	12	1.6.8.1 Supporter plate with housing lock assy....	106
1.2.3 Cover sheets BW4c CTM-F	14	1.6.8.2 Support outlet insert CTM-P-F set	108
1.2.4 Cover sheets BW4c CTM-F-RS	16	1.7 Ground drawer BW4c assy. lockable	110
1.2.5 Cover sheets BW4c CTM-P	18	1.8 Drip tray 228 assy.	112
1.2.6 Cover sheets BW4c CTM-P-RS.....	20	1.9 Drip tray 320 assy.	114
1.2.7 Cover sheets BW4c CTM-P-F.....	22	1.10 Beanhopper set.....	116
1.2.8 Cover sheets BW4c CTM-P-F-RS	24	1.11 Beanhopper lock set	118
1.3 assortment of socket set	26	1.12 Chassis BW4c CTM assy.....	120
1.3.1 Socket assy. 228.....	28	1.12.1 Water supply assy.....	122
1.3.2 Socket assy. 398.....	30	1.12.2 Solenoid valve 2/2, \varnothing 2.4, 12W set	124
1.4 Operating unit BW4c assy. M2.....	32	1.12.2.1 Solenoid valve, 2/2, \varnothing 2.4, 12W, UL assy.	126
1.5 BW4c standard assortment.....	34	1.12.3 Waterpump with motor assy.....	128
1.5.1 Outlet BW4c CTM assy.....	36	1.13 Mechanical module BW4c M1.....	130
1.5.1.1 Supporter plate with housing assy.	38	1.13.1 Right grinder \varnothing 54, assy.....	132
1.5.1.2 Support outlet insert CTM set	40	1.13.2 Brew unit assy. BW4c	134
1.5.2 Outlet BW4c CTM-P assy.	42	1.13.2.1 Brew chamber with rear block assy.	136
1.5.2.1 Supporter plate with housing assy.	44	1.13.2.1.1 Rear block assy.....	138
1.5.2.2 Support outlet insert CTM-P set.....	46	1.13.2.1.2 Brew chamber short assy. BW4c.....	140
1.5.3 Outlet BW4c CTM-F assy.	48	1.13.2.2 Front block assy.....	142
1.5.3.1 Supporter plate with housing assy.	50	1.13.2.2.1 Lever valve 2/2 \varnothing 6.0 DN4	144
1.5.3.2 Support outlet insert CTM-F set.....	52	1.13.2.2.2 Piston fixed assy.	146
1.5.4 Outlet BW4c CTM-P-F assy.....	54	1.13.3 BW4c deflection roller \varnothing 54 assy.....	148
1.5.4.1 Supporter plate with housing assy.	56	1.14 Mechanical module BW4c M2.....	150
1.5.4.2 Support outlet insert CTM-P-F set	58	1.14.1 Left grinder \varnothing 54, assy.	152
1.6 BW4c lockable assortment.....	60	1.14.2 Right grinder \varnothing 54, assy.....	154
1.6.1 Outlet BW4c CTM lock assy.	62	1.14.3 Brew unit assy. BW4c	156
1.6.1.1 Supporter plate with housing lock assy....	64	1.14.3.1 Brew chamber with rear block assy.	158
1.6.1.2 Support outlet insert CTM set	66	1.14.3.1.1 Rear block assy.....	160
1.6.2 Outlet BW4c CTM-RS lock. assy.	68	1.14.3.1.2 Brew chamber short assy. BW4c.....	162
1.6.2.1 Supporter plate with housing lock assy....	70	1.14.3.2 Front block assy.	164
1.6.2.2 Support outlet insert CTM set	72	1.14.3.2.1 Lever valve 2/2 \varnothing 6.0 DN4	166
1.6.3 Outlet BW4c CTM-P lock assy.....	74	1.14.3.2.2 Piston fixed assy.	168
1.6.3.1 Supporter plate with housing lock assy....	76	1.15 Hydraulic module BW4c CTM 2.5kW.....	170
1.6.3.2 Support outlet insert CTM-P set.....	78	1.15.1 Valve+Pump Support assy.....	172
1.6.4 Outlet BW4c CTM-P-RS lock. assy.....	80	1.15.1.1 Lever valve 3/2 \varnothing 4.0 DN3	174
1.6.4.1 Supporter plate with housing lock assy....	82	1.15.1.2 Lever valve 3/2 \varnothing 6.0 DN4	176
1.6.4.2 Support outlet insert CTM-P set.....	84	1.15.1.3 Tea and cleanvalve set	178
1.6.5 Outlet BW4c CTM-F lock assy.....	86	1.15.1.3.1 Solenoid valve 2/2, \varnothing 1.4, 7.5W UL.....	180
1.6.5.1 Supporter plate with housing lock assy....	88	1.15.1.4 Milkpump unit with cleaningblock.....	182
1.6.5.2 Support outlet insert CTM-F set.....	90	1.15.1.4.1 Cleaning block without air inlet set.....	184
1.6.6 Outlet BW4c CTM-F-RS lock. assy.....	92	1.15.1.4.1.1 Solenoid valve 2/2, \varnothing 1.4, 7.5W UL..	186
1.6.6.1 Supporter plate with housing lock assy....	94	1.15.1.4.2 Milk pump INOX with motor assy.....	188
1.6.6.2 Support outlet insert CTM-F set.....	96	1.15.1.4.2.1 3/2 mini solenoid valve, assy.	190

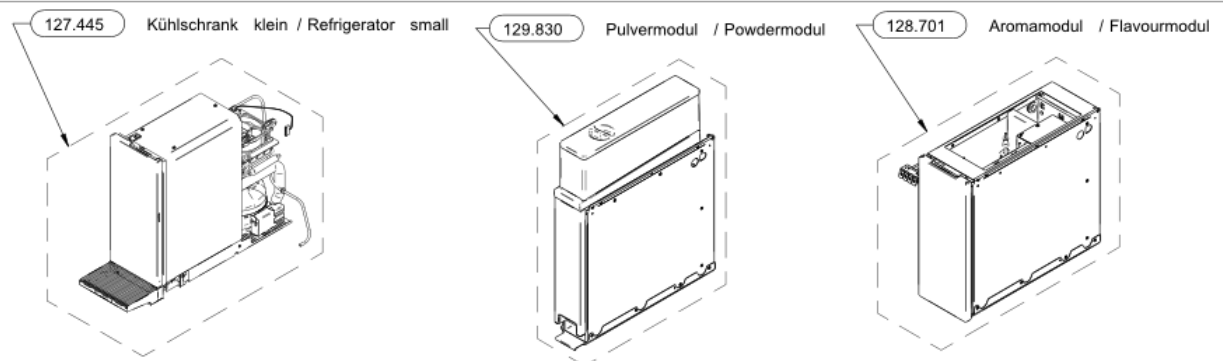
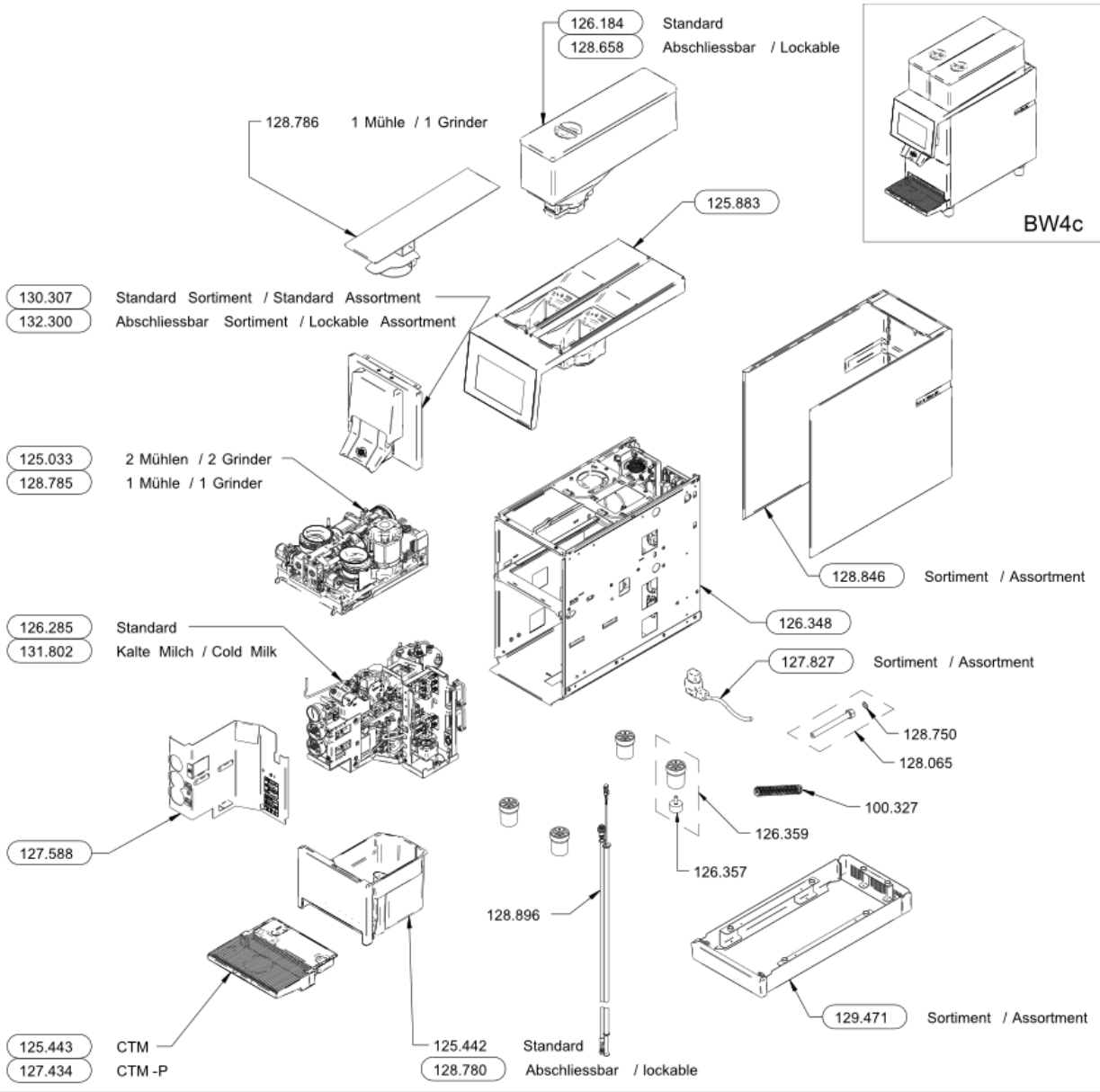
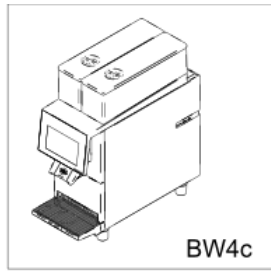
Content

1.15.2 Boiler BW4c CTM 2.5kW 1Wi. assy.....	192
1.15.2.1 Boiler cap BW4c CTM 2.5kW 1Wi. set.	194
1.15.2.1.1 Valve block boiler set	196
1.15.2.1.1.1 Solenoid valve 3/2, \varnothing 1.4, 7.5W UL...	198
1.15.3 Cleaning system CTM assy.	200
1.15.3.1 Coffeecleaningsystem BW4c set	202
1.15.3.2 Milkcleaningsystem BW4c set.....	204
1.15.4 Connector support CTM assy.	206
1.15.5 Flowmeter assy.	208
1.16 Hydraulic module BW4c CTM 2.5kW cold milk	210
1.16.1 Boiler BW4c CTM 2.5kW 1Wi. assy.....	212
1.16.1.1 Boiler cap BW4c CTM 2.5kW 1Wi. set.	214
1.16.1.1.1 Valve block boiler set	216
1.16.1.1.1.1 Solenoid valve 3/2, \varnothing 1.4, 7.5W UL...	218
1.16.2 Valve+Pump Support assy. cold milk.....	220
1.16.2.1 Lever valve 3/2 \varnothing 4.0 DN3	222
1.16.2.2 Lever valve 3/2 \varnothing 6.0 DN4	224
1.16.2.3 Tea and cleanvalve set	226
1.16.2.3.1 Solenoid valve 2/2, \varnothing 1.4, 7.5W UL.....	228
1.16.2.4 Milkpump unit with cleaningblock.....	230
1.16.2.4.1 Cleaning block without air inlet set.....	232
1.16.2.4.1.1 Solenoid valve 2/2, \varnothing 1.4, 7.5W UL...	234
1.16.2.4.2 Milk pump INOX with motor assy.	236
1.16.2.4.2.1 3/2 mini solenoid valve, assy.	238
1.16.3 Cleaning system CTM assy. cold milk	240
1.16.3.1 Coffeecleaningsystem BW4c set	242
1.16.3.2 Milkcleaningsystem BW4c set.....	244
1.16.4 Connector support CTM assy.	246
1.16.5 Flowmeter assy.	248
1.17 Cover hydraulic assy.....	250
1.18 Refrigerator assy. RS.....	252
1.18.1 Refrigerator RS	254
1.18.2 Drip tray 170 assy.	256
1.19 Powdermodule assy. BW4(c).....	258
1.19.1 Powder hopper slim BW4(c) assy.	260
1.19.2 Powder hopper slim BW4(c) assy.	262
1.19.3 Front BW4(c) addition slim lock assy.	264
1.19.4 Front BW4(c) addition slim lock assy.	266
1.19.5 Powdermodule BW4(c)	268
1.19.6 Frame BW4(c) addition slim assy.	270
1.20 Flavour-module assy.....	272
1.20.1 Pump module flavour 170	274
1.20.2 Chassis BW4(c) add wide cpl.	276
1.21 Kit BW4c CTM-RS TwinTower.....	278
1.22 Payment Interface	280
1.23 Assortment of ThermoplanConnect Kit	282

1 BW4 compact

Article no.	Description	Quantity
100.327	Drain pipe 2.5m	1
125.033	Mechanical module BW4c M2	1
125.442	Ground drawer BW4c assy.	1
125.443	Drip tray 228 assy.	1
125.883	Operating unit BW4c assy. M2	1
126.184	Beanhopper set	1
126.285	Hydraulic module BW4c CTM 2.5kW	1
126.348	Chassis BW4c CTM assy.	1
126.357	Circular buffer ø30x17/M8x20	1
126.359	Frame leg 57mm assy.	4
127.434	Drip tray 320 assy.	1
127.445	Refrigerator assy. RS	1
127.588	Cover hydraulic assy.	1
127.827	BW4c Cloud Interface	1
128.065	Reinf. water hose, coated 3/8"-3/8"x2m	1
128.658	Beanhopper lock set	1
128.701	Flavour-module assy.	1
128.750	Seal for stainless steel braided pipe	2
128.780	Ground drawer BW4c assy. lockable	1
128.785	Mechanical module BW4c M1	1
128.786	Operating unit BW4(c) M1 cover set	1
128.846	Assortiment Cover Sheet	1
128.896	Kit milksuction hose UT	1
129.471	assortment of socket set	1
129.830	Powdermodule assy. BW4(c)	1
130.307	BW4c standard assortment	1
130.495	Kit BW4c CTM-RS TwinTower	1
131.802	Hydraulic module BW4c CTM 2.5kW cold milk	1
132.273	Payment Interface	1
132.300	BW4c lockable assortment	1
133.612	Assortment of ThermoplanConnect Kit	1

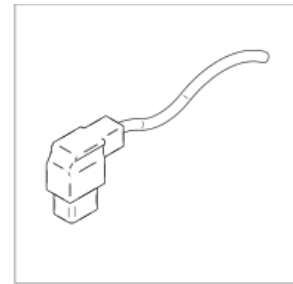
1 BW4 compact



1.1 BW4c Cloud Interface

Article no.	Description	Quantity
104.683	Power cord set C13 CH	1
104.687	Power cord Schuko C13	1
117.553	Power cord 230V UK Refrigerator BW2/BW3	1
126.720	Power cord C13 Typ K (DK)	1
127.819	Cord set C19, 90° EU	1
127.824	Cord set C19, 90° CH	1
127.825	Cord set C19, 90° UK	1
129.248	Cord set C19, 90° w/o plug	1

1.1 BW4c Cloud Interface



C19



BW 4c Coffeemachine

C13



BW 4c RS Refrigerator

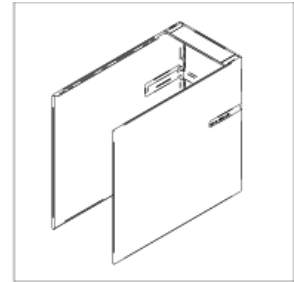
 127.824 CH	 127.819 Schuko
 127.825 UK	
 129.248	

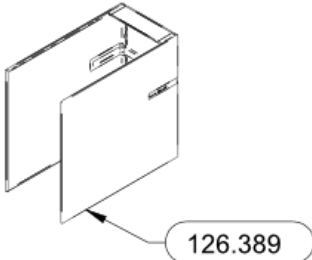
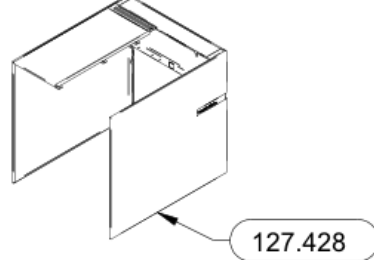
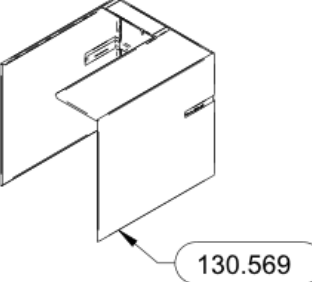
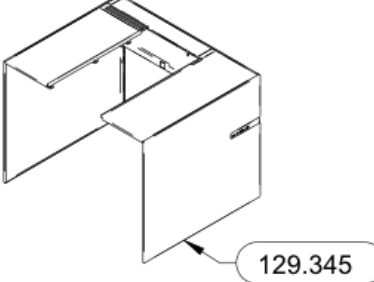
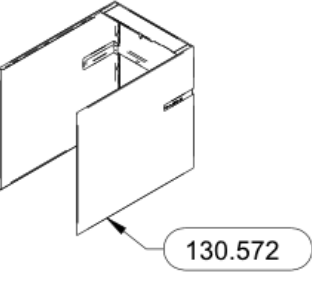
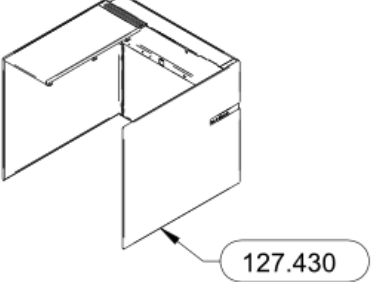
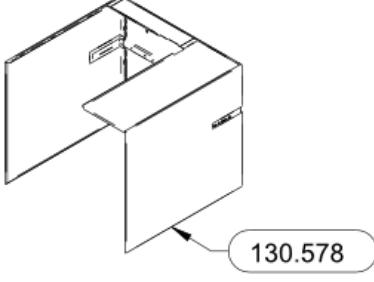
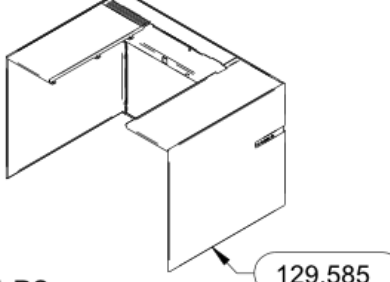
 104.683 CH	 104.687 Schuko
 117.553 UK	
 126.720 DK	

1.2 Assortiment Cover Sheet

Article no.	Description	Quantity
126.389	Cover sheets BW4c CTM	1
127.428	Cover sheets BW4(c) 398	1
127.430	Cover sheets BW4c CTM-P-RS	1
129.345	Cover sheets BW4c CTM-F-RS	1
129.585	Cover sheets BW4c CTM-P-F-RS	1
130.569	Cover sheets BW4c CTM-F	1
130.572	Cover sheets BW4c CTM-P	1
130.578	Cover sheets BW4c CTM-P-F	1

1.2 Assortiment Cover Sheet

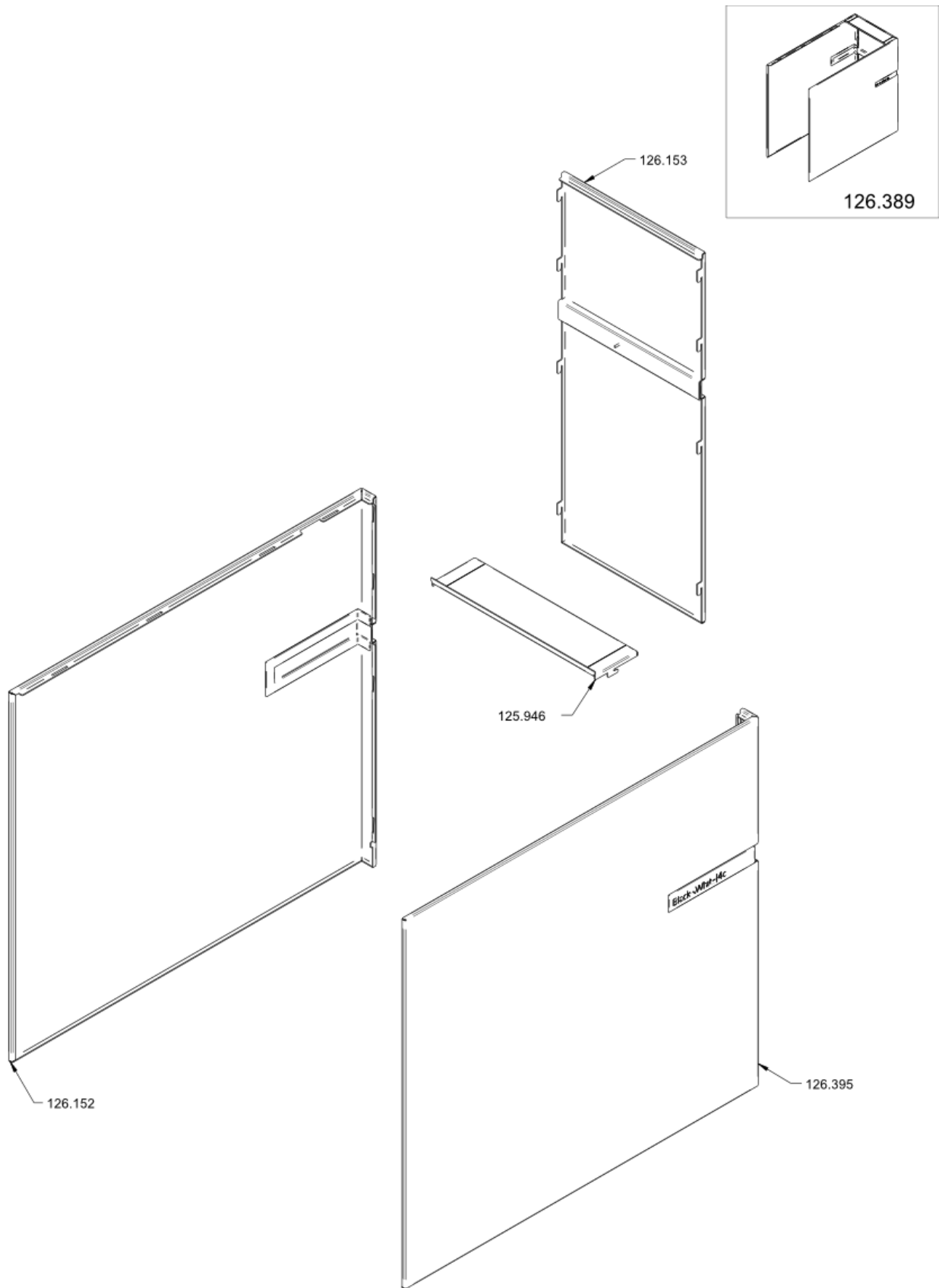


 <p>CTM</p>	 <p>CTM -RS</p>
 <p>CTM -F</p>	 <p>CTM -F-RS</p>
 <p>CTM -P</p>	 <p>CTM -P-RS</p>
 <p>CTM -P-F</p>	 <p>CTM -P-F-RS</p>

1.2.1 Cover sheets BW4c CTM

Article no.	Description	Quantity
125.946	Cup tray 228	1
126.152	Cover left assy. BW4c	1
126.153	Cover back 228 assy. BW4	1
126.395	Cover right assy. BW4c	1

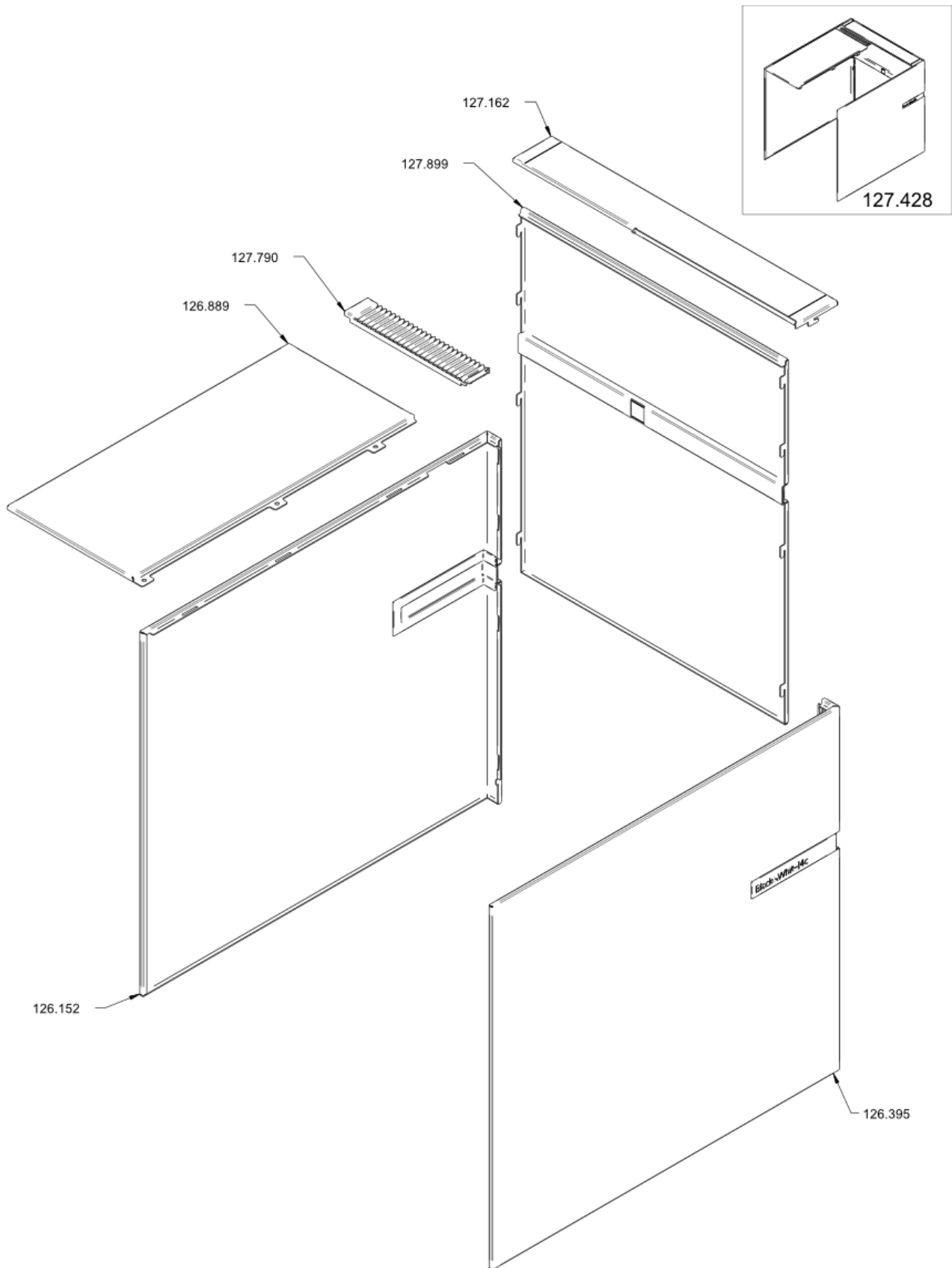
1.2.1 Cover sheets BW4c CTM



1.2.2 Cover sheets BW4(c) 398

Article no.	Description	Quantity
126.152	Cover left assy. BW4c	1
126.395	Cover right assy. BW4c	1
126.889	Cup tray sheet 170	1
127.162	Cover top 398	1
127.790	Ventilation grille	1
127.899	Cover back 398 assy. BW4(c) CTM RS	1

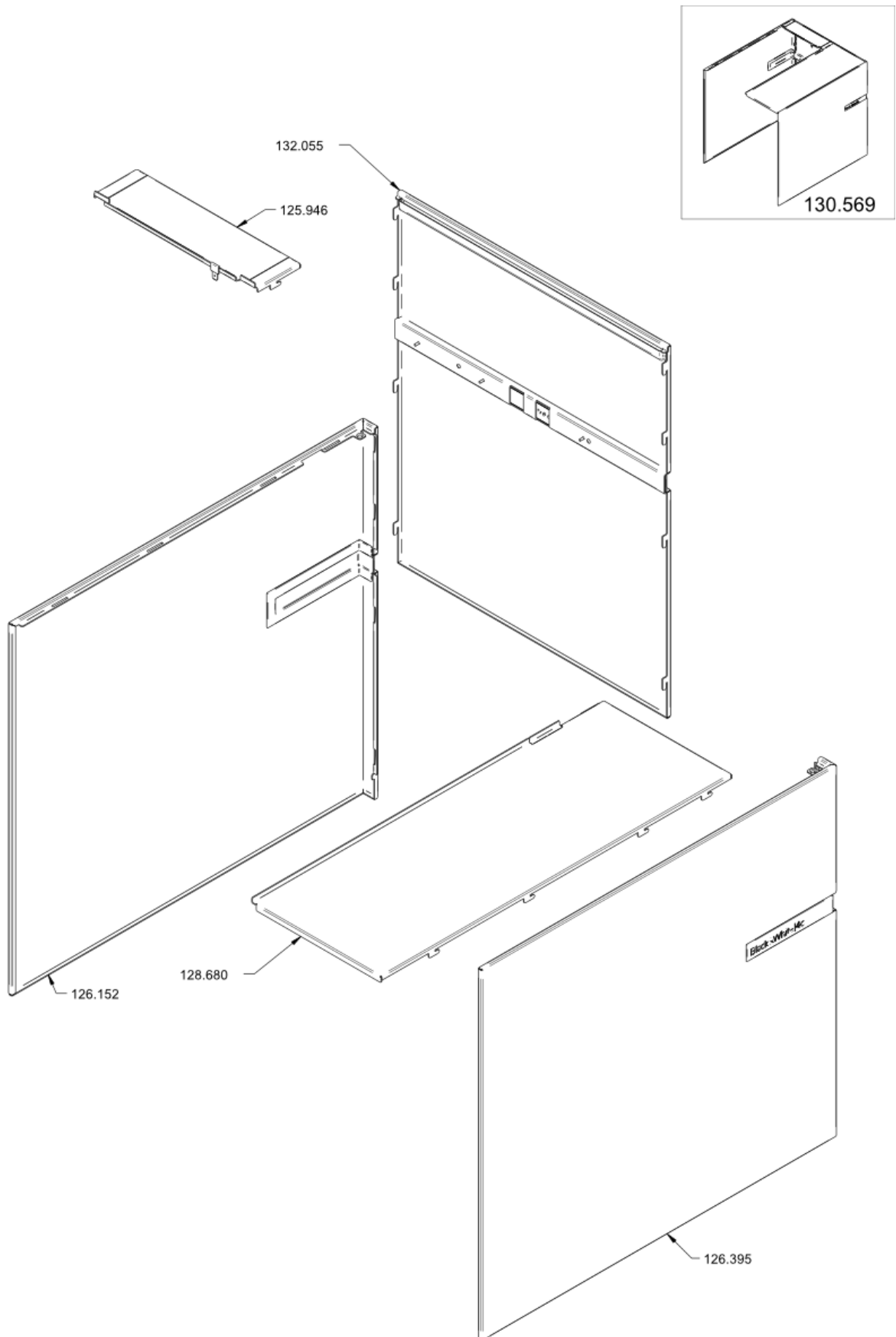
1.2.2 Cover sheets BW4(c) 398



1.2.3 Cover sheets BW4c CTM-F

Article no.	Description	Quantity
125.946	Cover top 228 BW4c CTM	1
126.152	Cover left assy. BW4c	1
126.395	Cover right assy. BW4c	1
128.680	Cup plate additional module 170	1
132.055	Cover back 357 F assy.	1

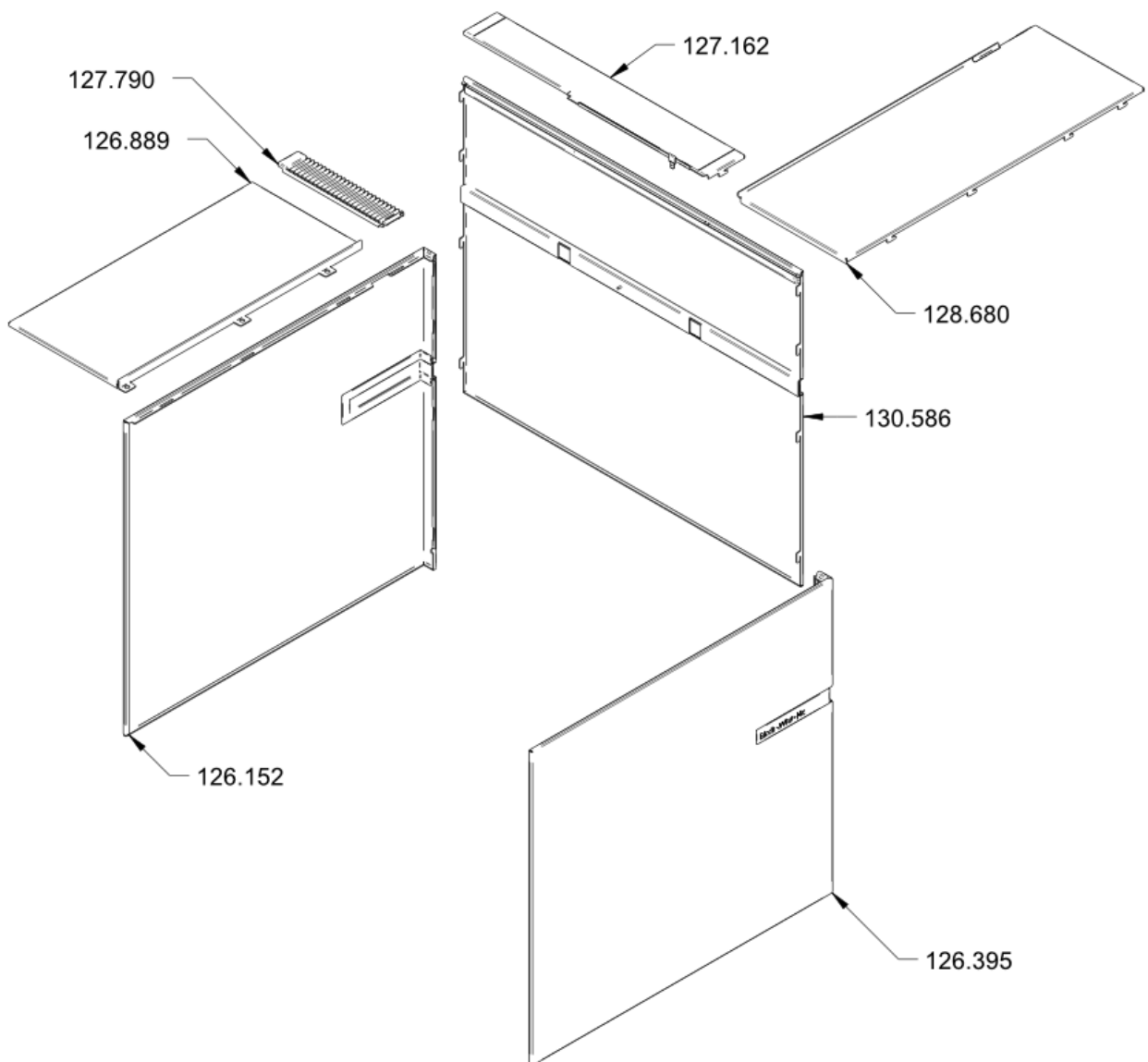
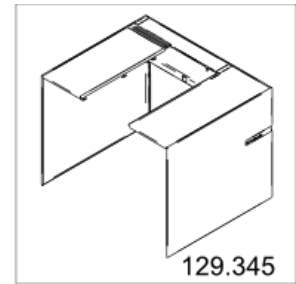
1.2.3 Cover sheets BW4c CTM-F



1.2.4 Cover sheets BW4c CTM-F-RS

Article no.	Description	Quantity
126.152	Cover left assy. BW4c	1
126.395	Cover right assy. BW4c	1
126.889	Cup tray sheet 170	1
127.162	Cover top 398 BW4c CTM(-F)-RS	1
127.790	Ventilation grille	1
128.680	Cup plate additional module 170	1
130.586	Cover sheets back 568 CTM-F-RS assy.	1

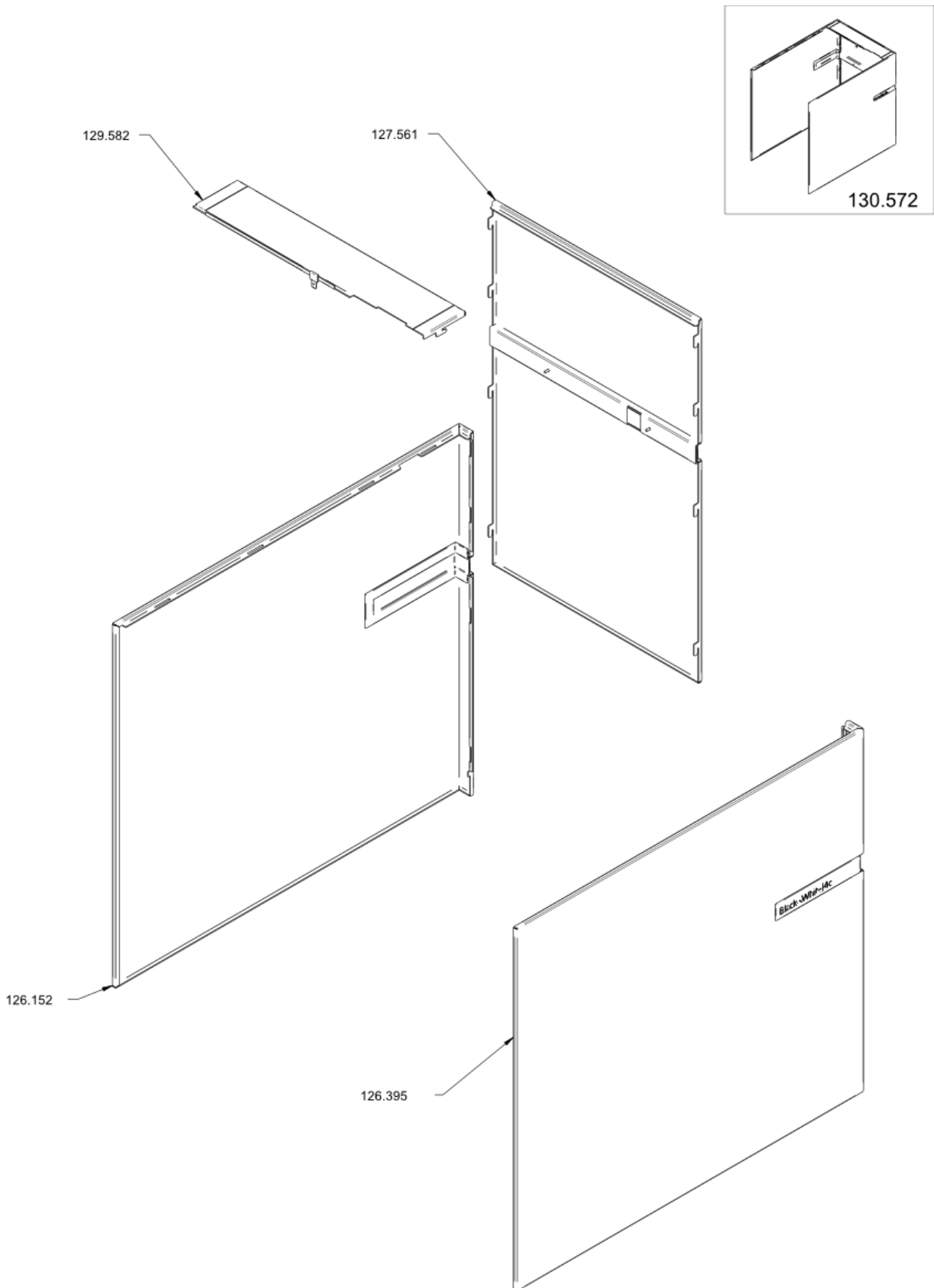
1.2.4 Cover sheets BW4c CTM-F-RS



1.2.5 Cover sheets BW4c CTM-P

Article no.	Description	Quantity
126.152	Cover left assy. BW4c	1
126.395	Cover right assy. BW4c	1
127.561	Cover back 320 assy. BW4(c)	1
129.582	Cover top 320 BW4c CTM-P(-RU)	1

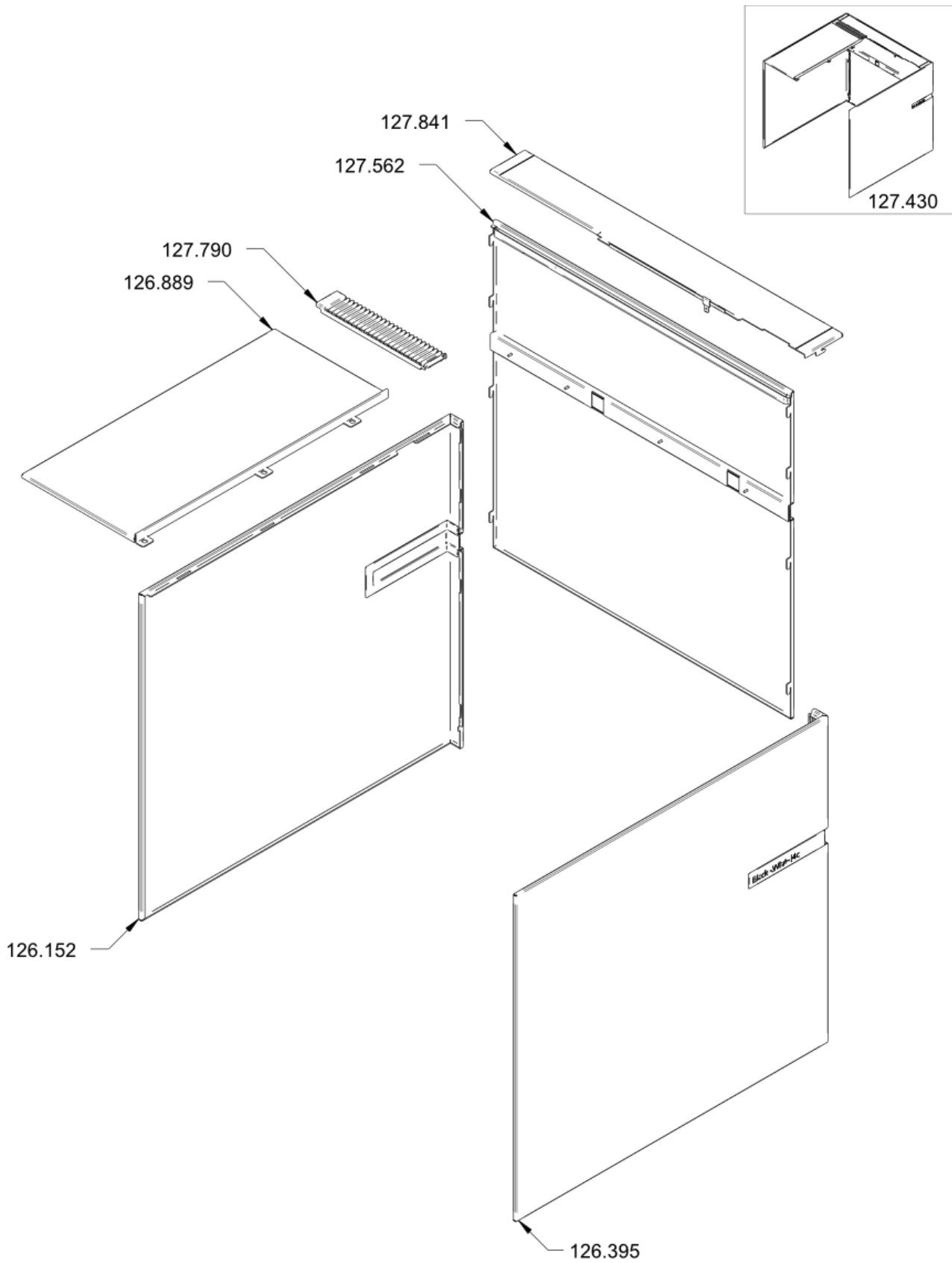
1.2.5 Cover sheets BW4c CTM-P



1.2.6 Cover sheets BW4c CTM-P-RS

Article no.	Description	Quantity
126.152	Cover left assy. BW4c	1
126.395	Cover right assy. BW4c	1
126.889	Cup tray sheet 170	1
127.562	Cover back 490 assy. CTM-P-RS	1
127.790	Ventilation grille	1
127.841	Cover top 490 BW4c CTM-P(-F)-RS	1

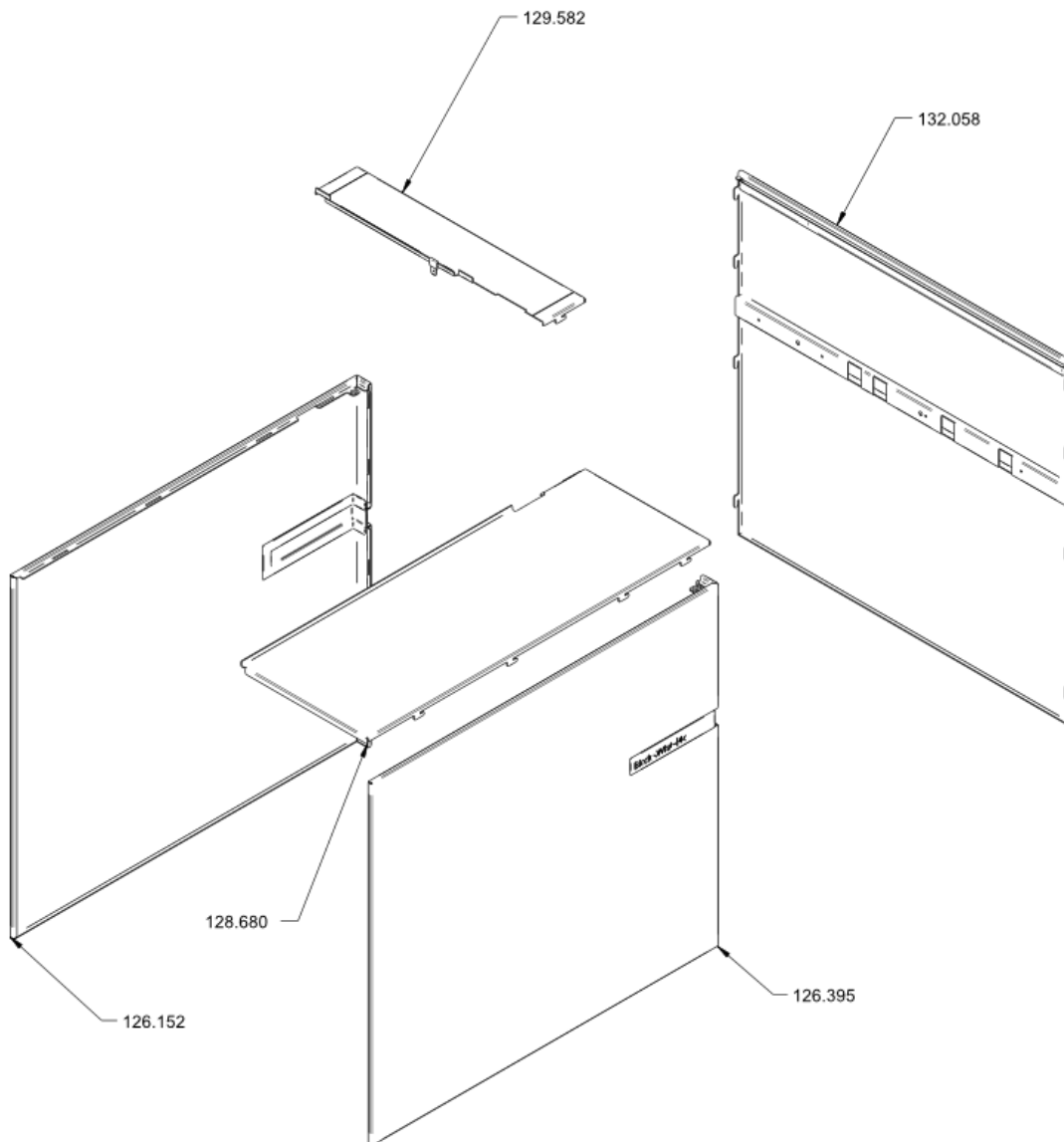
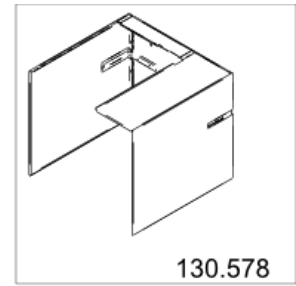
1.2.6 Cover sheets BW4c CTM-P-RS



1.2.7 Cover sheets BW4c CTM-P-F

Article no.	Description	Quantity
126.152	Cover left assy. BW4c	1
126.395	Cover right assy. BW4c	1
128.680	Cup plate additional module 170	1
129.582	Cover top 320 BW4c CTM-P(-RU)	1
132.058	Cover back 449 F assy.	1

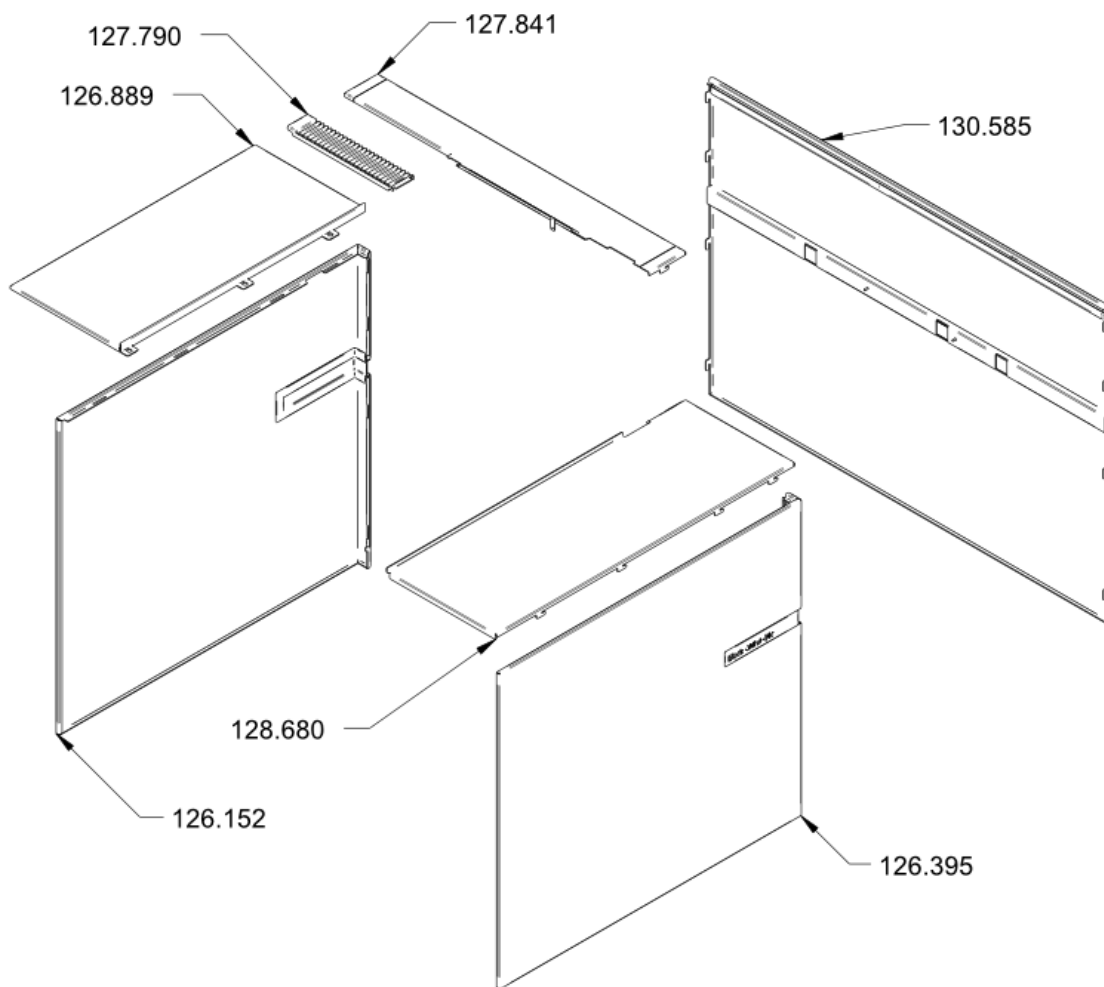
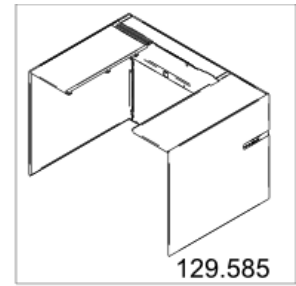
1.2.7 Cover sheets BW4c CTM-P-F



1.2.8 Cover sheets BW4c CTM-P-F-RS

Article no.	Description	Quantity
126.152	Cover left assy. BW4c	1
126.395	Cover right assy. BW4c	1
126.889	Cup tray sheet 170	1
127.790	Ventilation grille	1
127.841	Cover top 490 BW4c CTM-P(-F)-RS	1
128.680	Cup plate additional module 170	1
130.585	Cover back 490 assy. CTM-P-F-RS	1

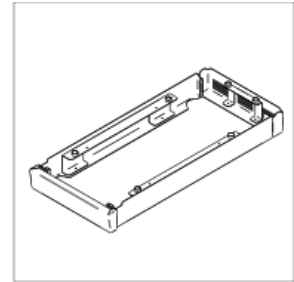
1.2.8 Cover sheets BW4c CTM-P-F-RS

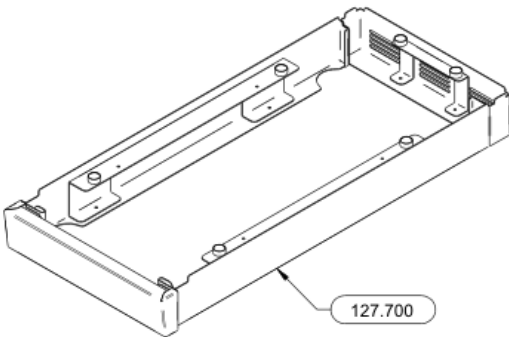
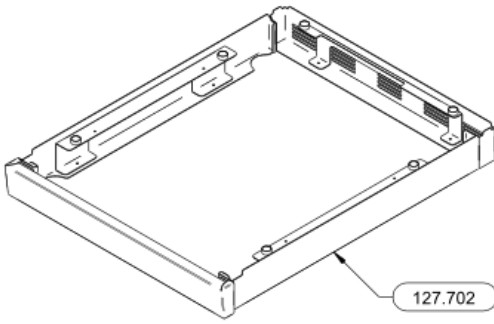


1.3 assortment of socket set

Article no.	Description	Quantity
127.700	Socket assy. 228	1
127.702	Socket assy. 398	1

1.3 assortment of socket set

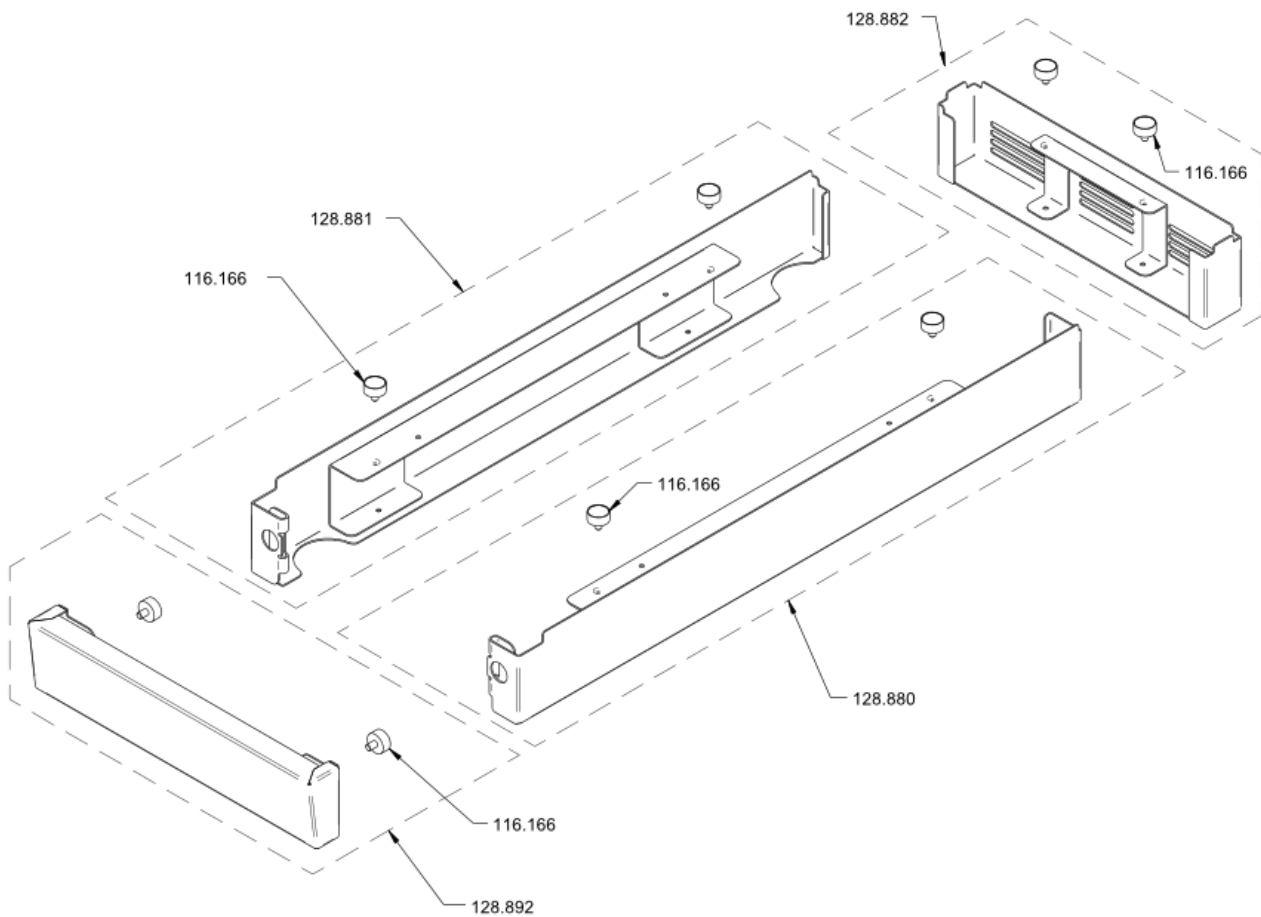
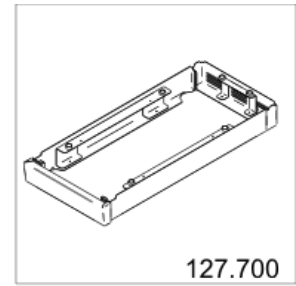


 <p>127.700</p> <p>CTM</p>	 <p>127.702</p> <p>CTM -RS</p>

1.3.1 Socket assy. 228

Article no.	Description	Quantity
116.166	Topfmagnet 4kg M4x6	2
116.166	Topfmagnet 4kg M4x6	2
116.166	Topfmagnet 4kg M4x6	2
116.166	Topfmagnet 4kg M4x6	2
128.880	Side sheet right to socket assy.	1
128.881	Side sheet left to socket assy.	1
128.882	Back wall to socket 228 assy.	1
128.892	Front sheet to socket 228 assy.	1

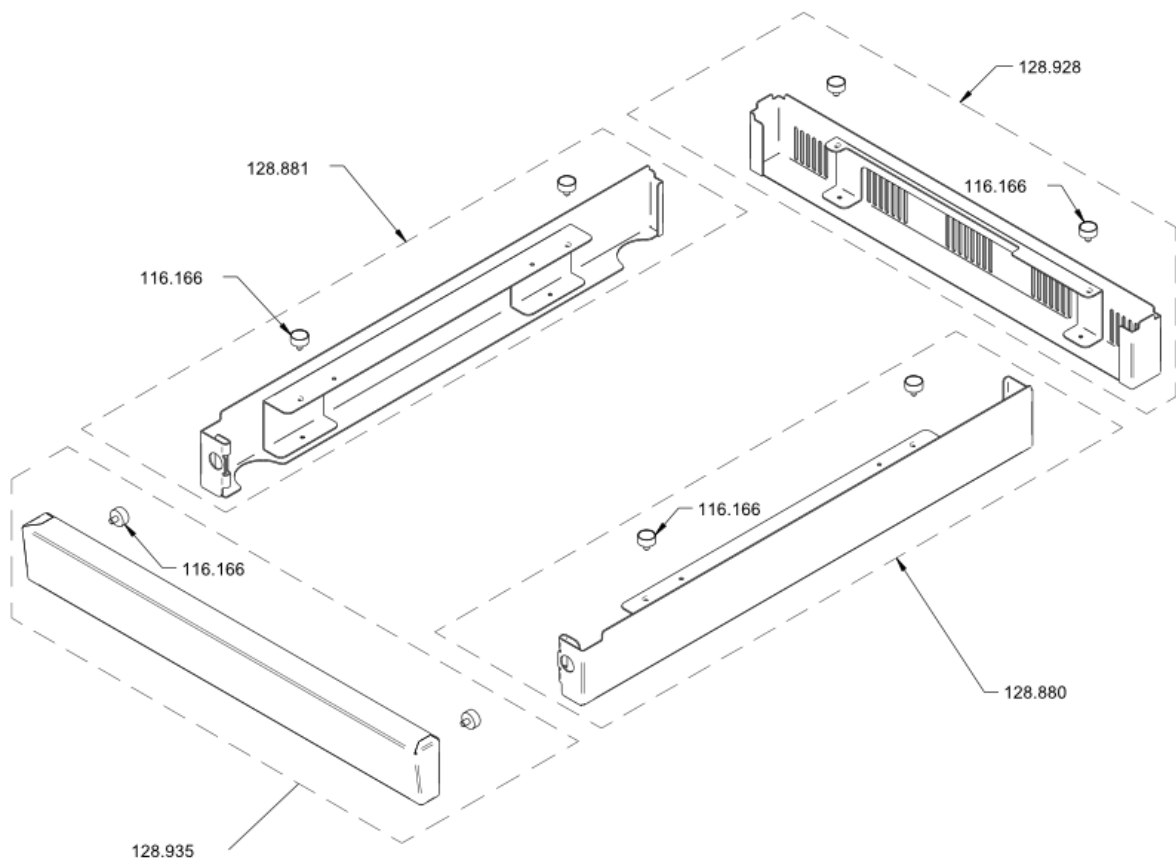
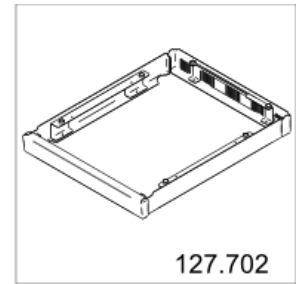
1.3.1 Socket assy. 228



1.3.2 Socket assy. 398

Article no.	Description	Quantity
116.166	Topfmagnet 4kg M4x6	2
116.166	Topfmagnet 4kg M4x6	2
116.166	Topfmagnet 4kg M4x6	2
116.166	Topfmagnet 4kg M4x6	2
128.880	Side sheet right to socket assy.	1
128.881	Side sheet left to socket assy.	1
128.928	Back wall to socket 398 assy.	1
128.935	Front sheet to socket 398 assy.	1

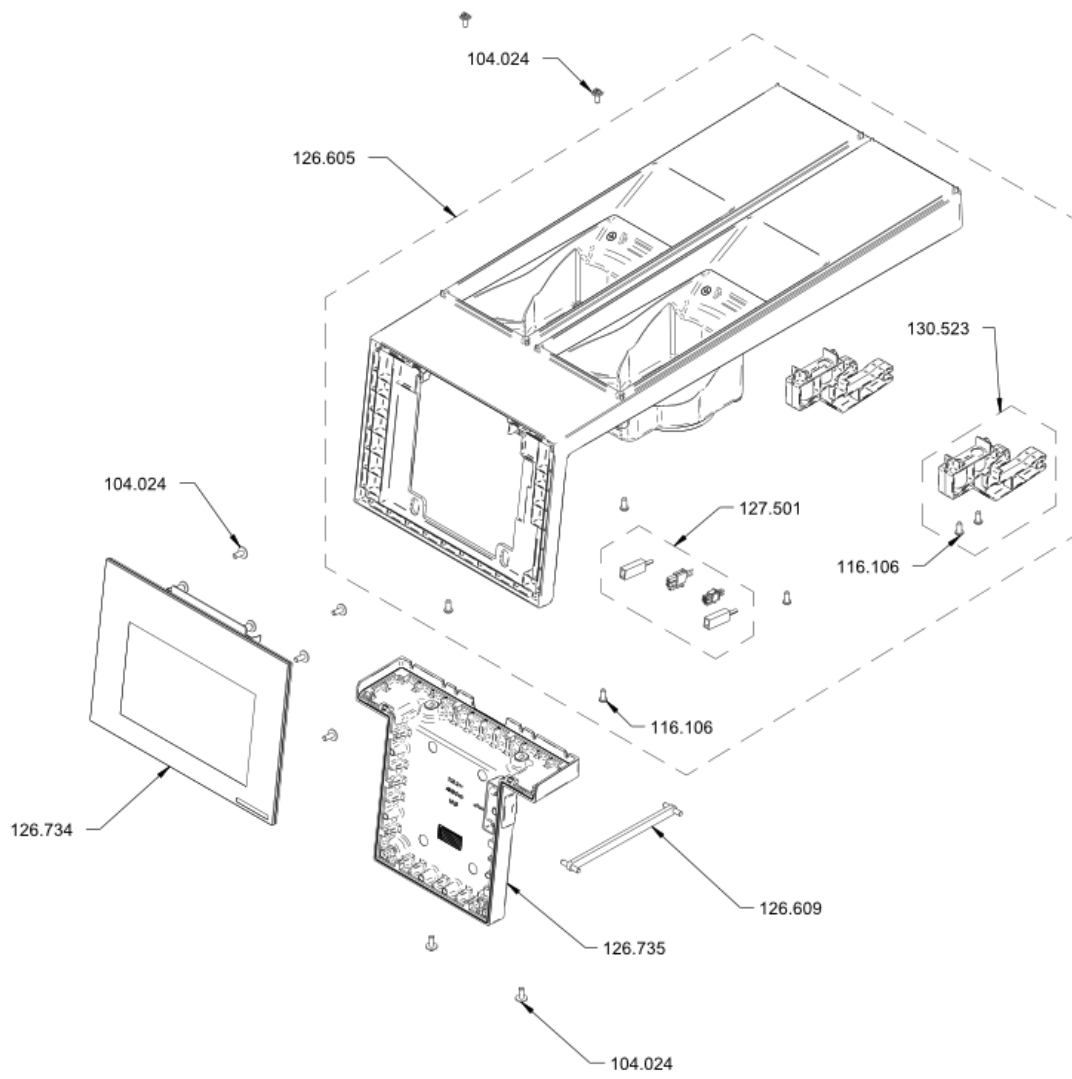
1.3.2 Socket assy. 398



1.4 Operating unit BW4c assy. M2

Article no.	Description	Quantity
104.024	Lens head screw M04x10 Phillips	8
116.106	PT screw lens head KA40x10	4
116.106	PT screw lens head KA40x10	2
126.605	Support operating unit BW4c assy.	1
126.609	Support operating unit	1
126.734	User Interface incl. SBC	1
126.735	Cover SBC assy.	1
127.501	Wiring harness BW4c operating unit	1
130.523	Foot operating unit assy.	2

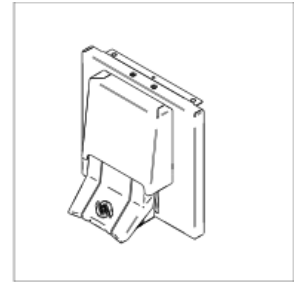
1.4 Operating unit BW4c assy. M2

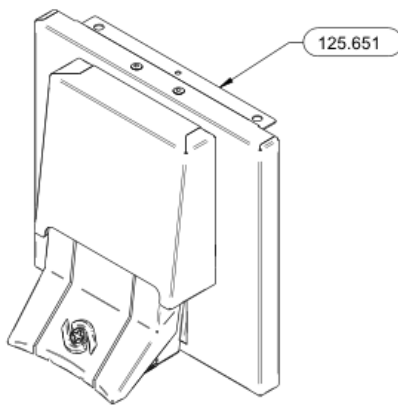
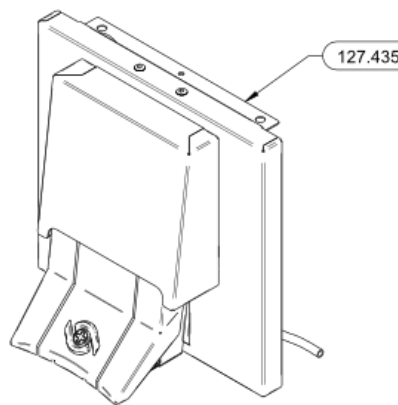
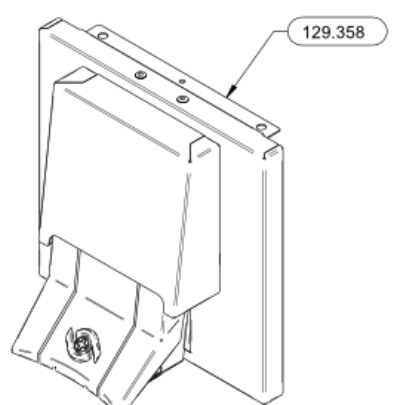
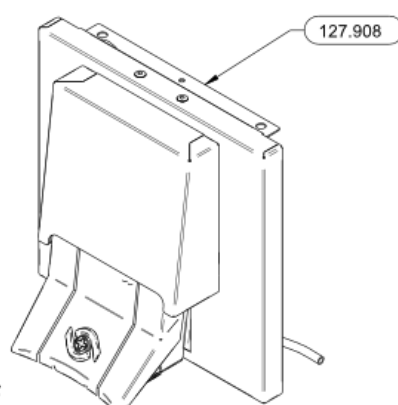


1.5 BW4c standard assortment

Article no.	Description	Quantity
125.651	Outlet BW4c CTM assy.	1
127.435	Outlet BW4c CTM-P assy.	1
127.908	Outlet BW4c CTM-P-F assy.	1
129.358	Outlet BW4c CTM-F assy.	1

1.5 BW4c standard assortment

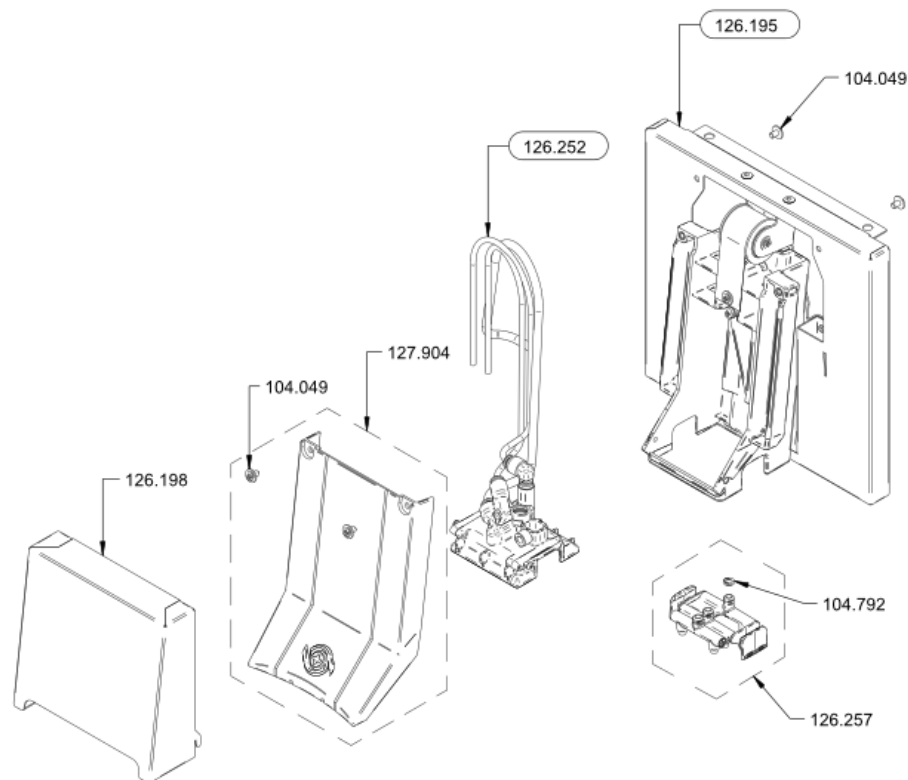


 <p>CTM CTM-RS</p>	 <p>CTM -P CTM -P-RS</p>
 <p>CTM -F CTM -F-RS</p>	 <p>CTM -P-F CTM -P-F-RS</p>
Empty cell	Empty cell

1.5.1 Outlet BW4c CTM assy.

Article no.	Description	Quantity
104.049	Oval head screw M4x6 Phillips	2
104.049	Oval head screw M4x6 Phillips	2
104.792	O-Ring 5.00x1.50 FKM 75.5/VA75F	3
126.195	Supporter plate with housing assy.	1
126.198	Cover	1
126.252	Support outlet insert CTM set	1
126.257	Outlet insert CTMPF assy.	1
127.904	Front outlet set	1

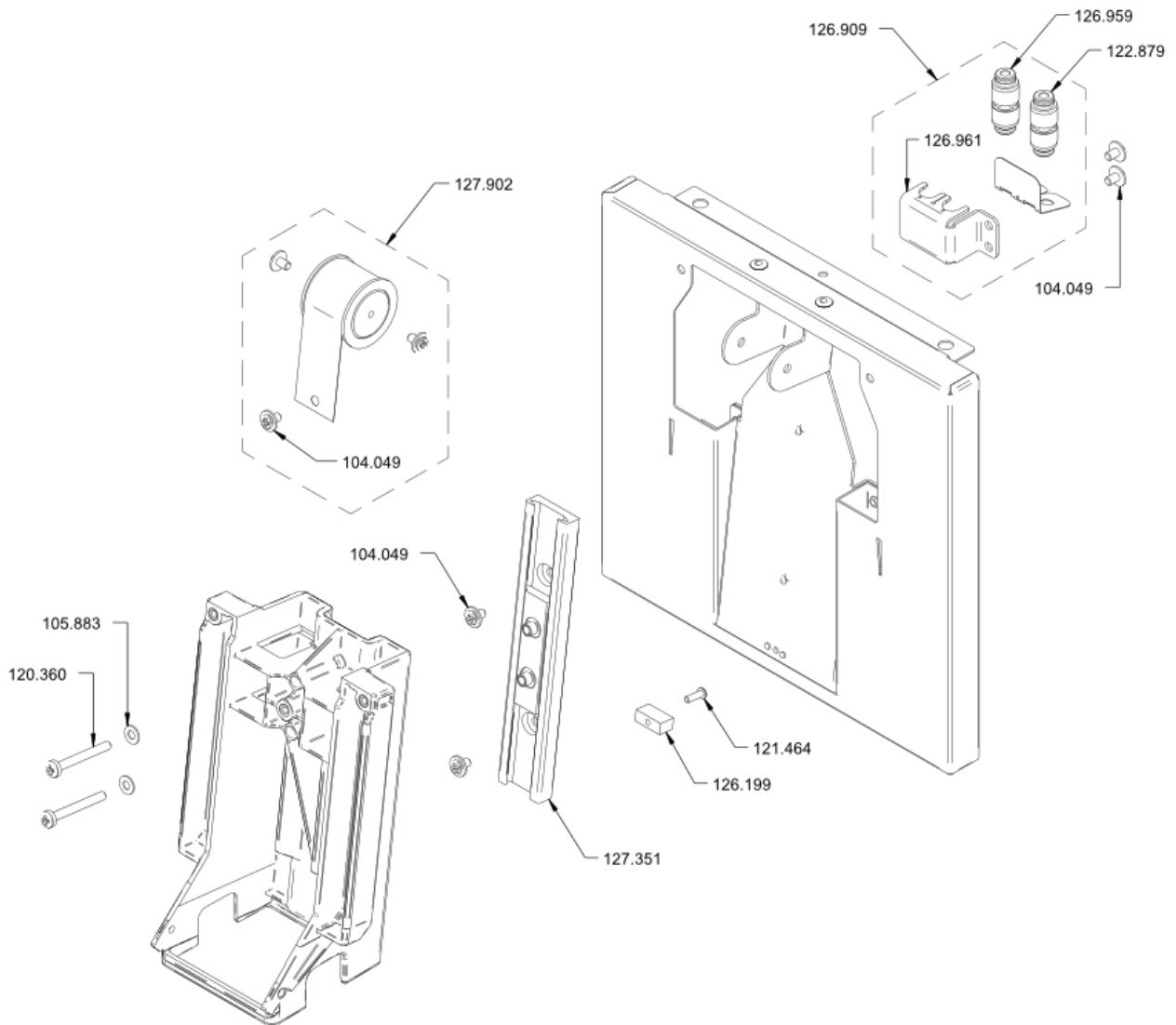
1.5.1 Outlet BW4c CTM assy.



1.5.1.1 Supporter plate with housing assy.

Article no.	Description	Quantity
104.049	Oval head screw M4x6 Phillips	3
104.049	Oval head screw M4x6 Phillips	4
105.883	Flat washer M4	2
120.360	Oval head screw M4x35 Tuflok	2
121.464	PT screw KA30x10 philips	1
122.879	Straight connector 4-4	1
126.199	Block	1
126.909	Connector outlet milk tea	1
126.959	Straight connector 4-4	1
126.961	Clamping plate	1
127.351	Linear guiding to discharge assy.	1
127.902	Spring to outlet assy.	1

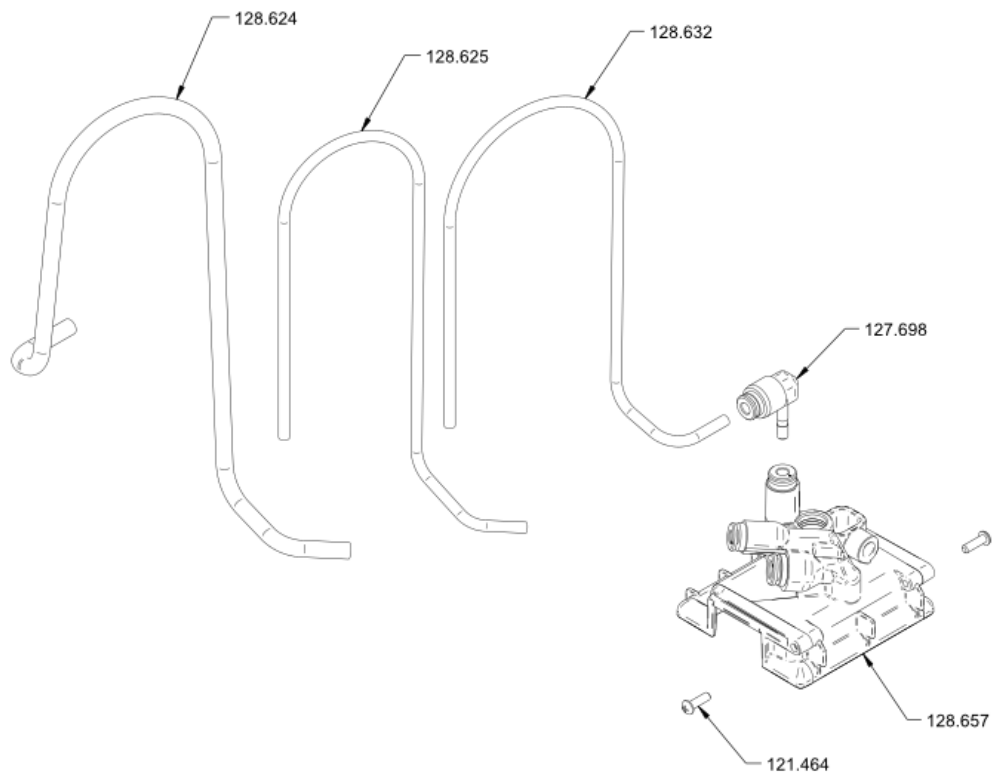
1.5.1.1 Supporter plate with housing assy.



1.5.1.2 Support outlet insert CTM set

Article no.	Description	Quantity
121.464	PT screw KA30x10 philips	2
127.698	Elbow connector 4-4	1
128.624	FEP pipe $\varnothing 6/4$ x 380mm	1
128.625	FEP pipe $\varnothing 4/2$ x 350mm	1
128.632	FEP pipe $\varnothing 4/2$ x 315mm	1
128.657	Support outlet insert CTM assy.	1

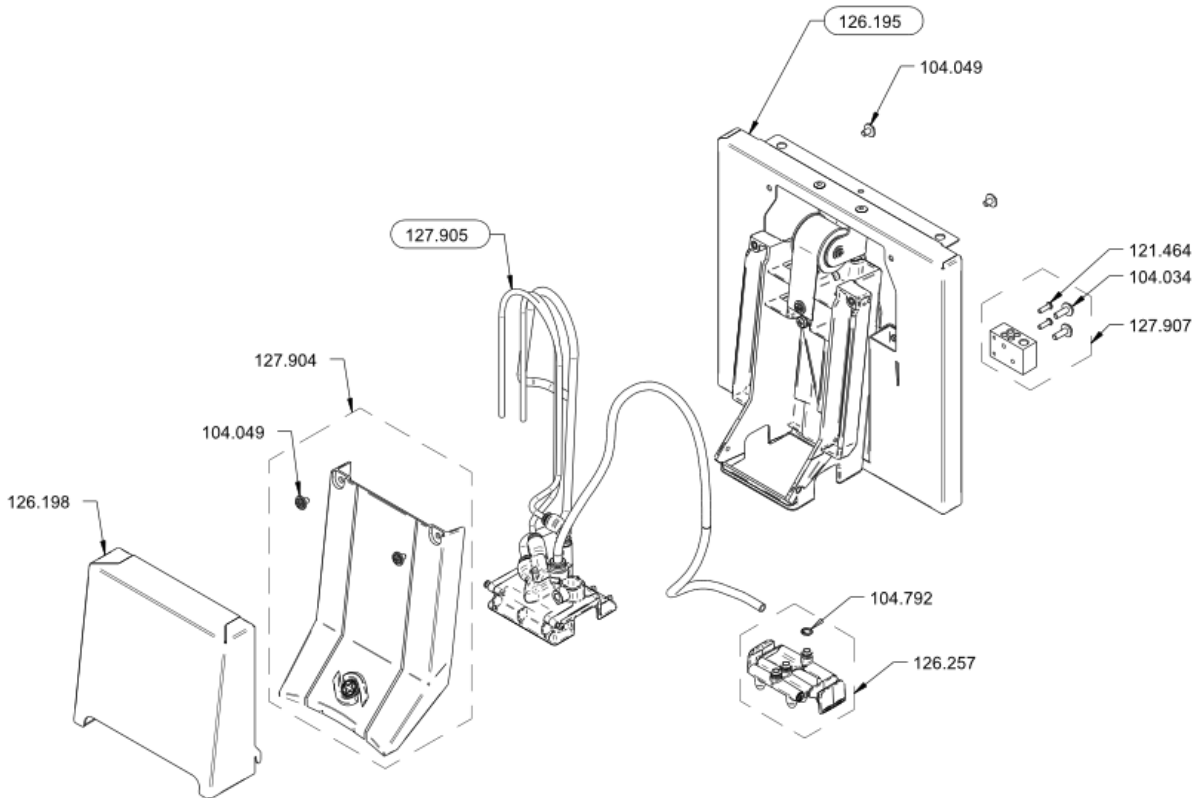
1.5.1.2 Support outlet insert CTM set



1.5.2 Outlet BW4c CTM-P assy.

Article no.	Description	Quantity
104.034	Oval head screw Phillips M4x12	2
104.049	Oval head screw M4x6 Phillips	2
104.049	Oval head screw M4x6 Phillips	2
104.792	O-Ring 5.00x1.50 FKM 75.5/VA75F	3
121.464	PT screw KA30x10 philips	2
126.195	Supporter plate with housing assy.	1
126.198	Cover	1
126.257	Outlet insert CTMPF assy.	1
127.904	Front outlet set	1
127.905	Support outlet insert CTM-P set	1
127.907	Connection outlet powder set	1

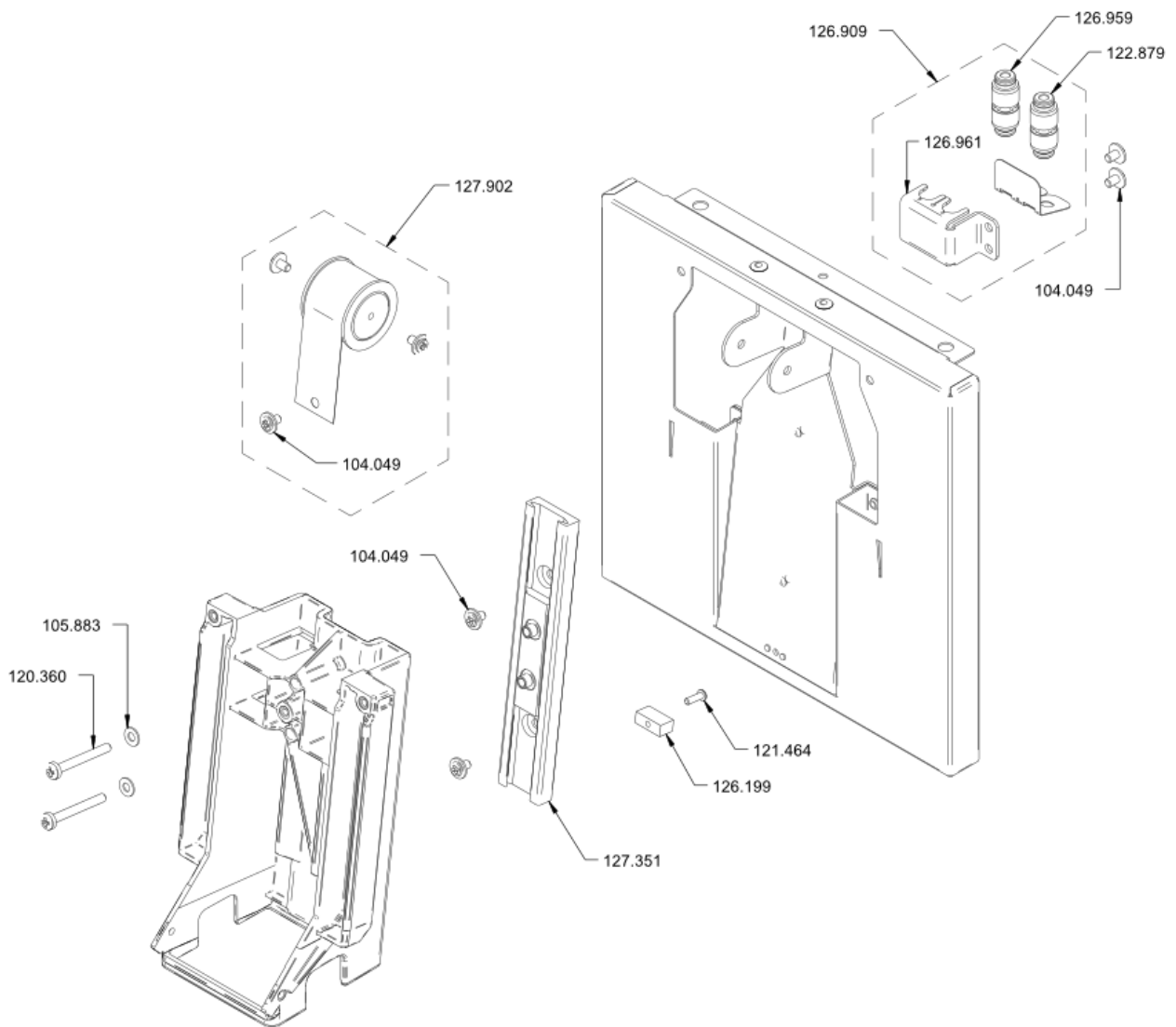
1.5.2 Outlet BW4c CTM-P assy.



1.5.2.1 Supporter plate with housing assy.

Article no.	Description	Quantity
104.049	Oval head screw M4x6 Phillips	3
104.049	Oval head screw M4x6 Phillips	4
105.883	Flat washer M4	2
120.360	Oval head screw M4x35 Tuflok	2
121.464	PT screw KA30x10 philips	1
122.879	Straight connector 4-4	1
126.199	Block	1
126.909	Connector outlet milk tea	1
126.959	Straight connector 4-4	1
126.961	Clamping plate	1
127.351	Linear guiding to discharge assy.	1
127.902	Spring to outlet assy.	1

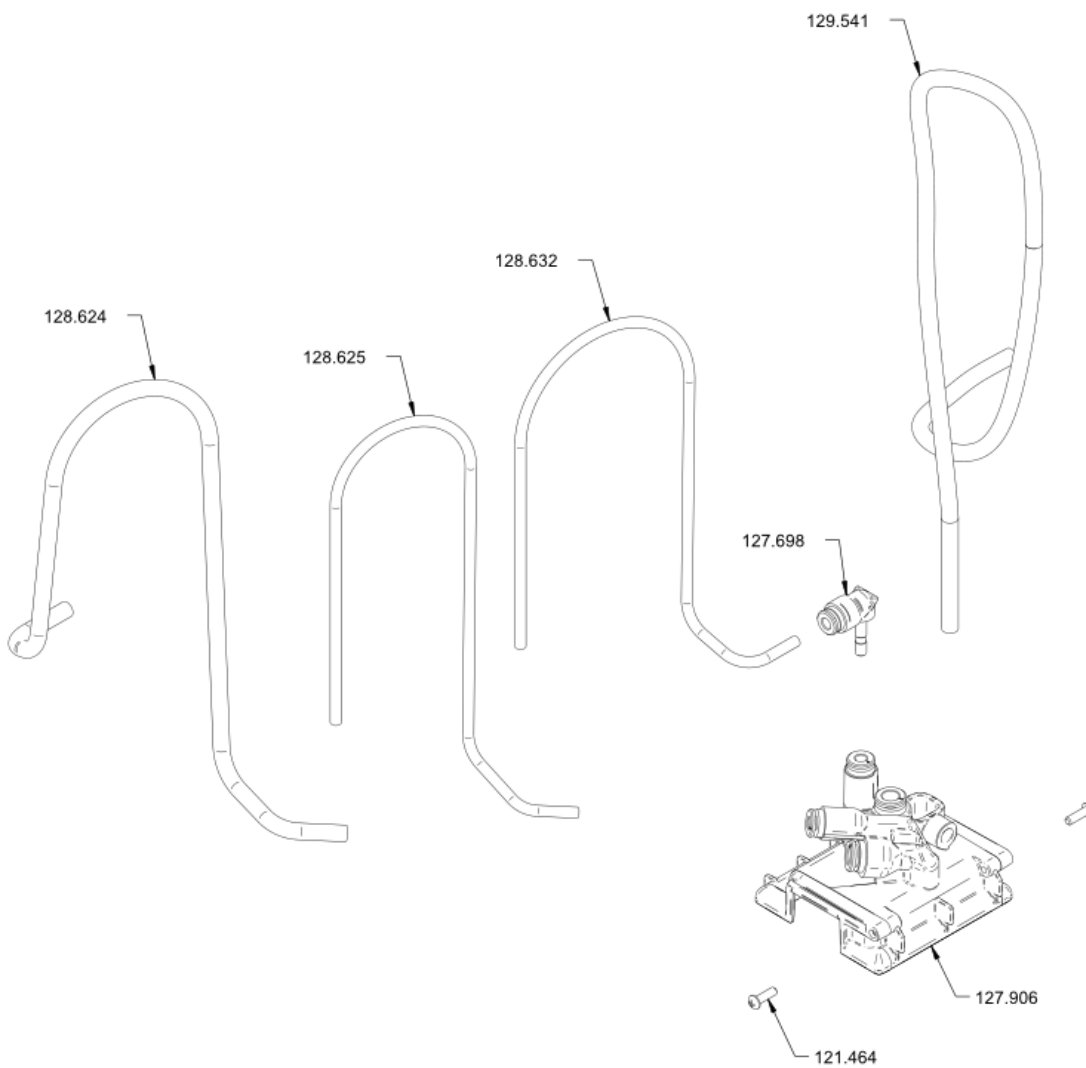
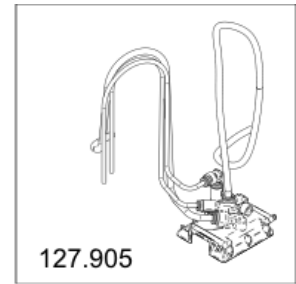
1.5.2.1 Supporter plate with housing assy.



1.5.2.2 Support outlet insert CTM-P set

Article no.	Description	Quantity
121.464	PT screw KA30x10 philips	2
127.698	Elbow connector 4-4	1
127.906	Support outlet insert CTM-P assy.	1
128.624	FEP pipe $\varnothing 6/4$ x 380mm	1
128.625	FEP pipe $\varnothing 4/2$ x 350mm	1
128.632	FEP pipe $\varnothing 4/2$ x 315mm	1
129.541	FEP pipe $\varnothing 6/4$ x 460mm	1

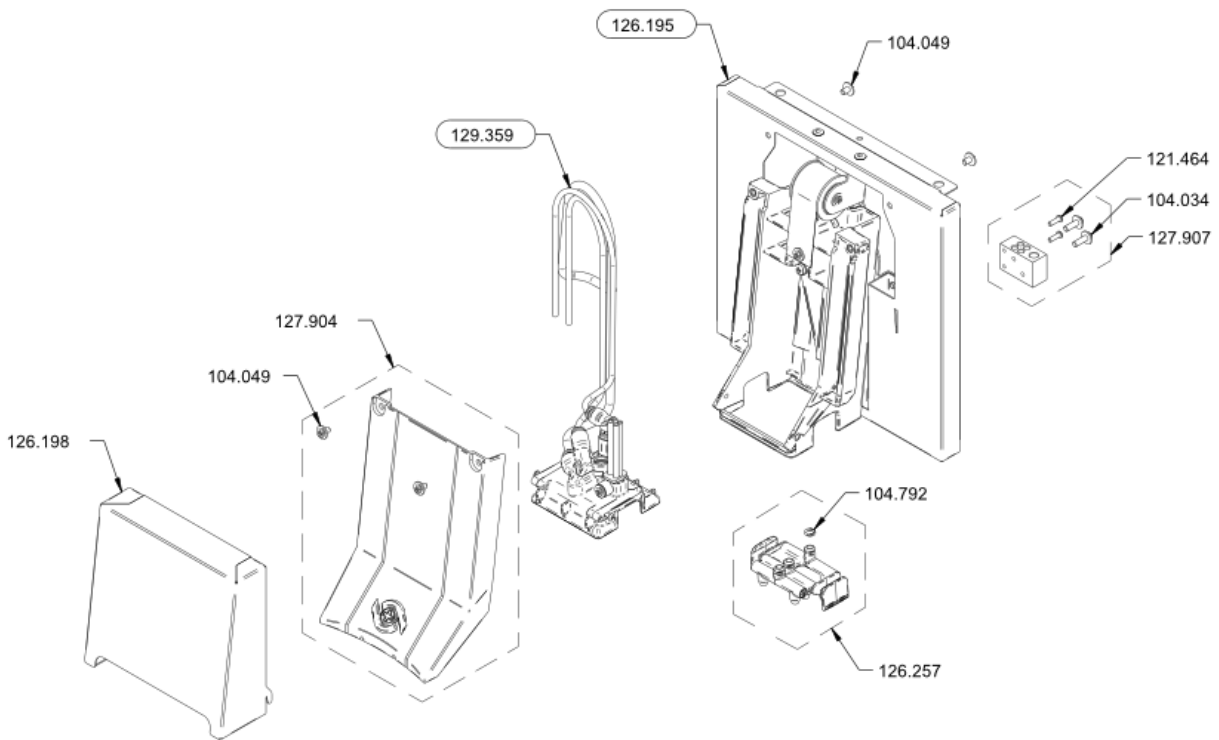
1.5.2.2 Support outlet insert CTM-P set



1.5.3 Outlet BW4c CTM-F assy.

Article no.	Description	Quantity
104.034	Oval head screw Phillips M4x12	2
104.049	Oval head screw M4x6 Phillips	2
104.049	Oval head screw M4x6 Phillips	2
104.792	O-Ring 5.00x1.50 FKM 75.5/VA75F	3
121.464	PT screw KA30x10 philips	2
126.195	Supporter plate with housing assy.	1
126.198	Cover	1
126.257	Outlet insert CTMPF assy.	1
127.904	Front outlet set	1
127.907	Connection outlet powder set	1
129.359	Support outlet insert CTM-F set	1

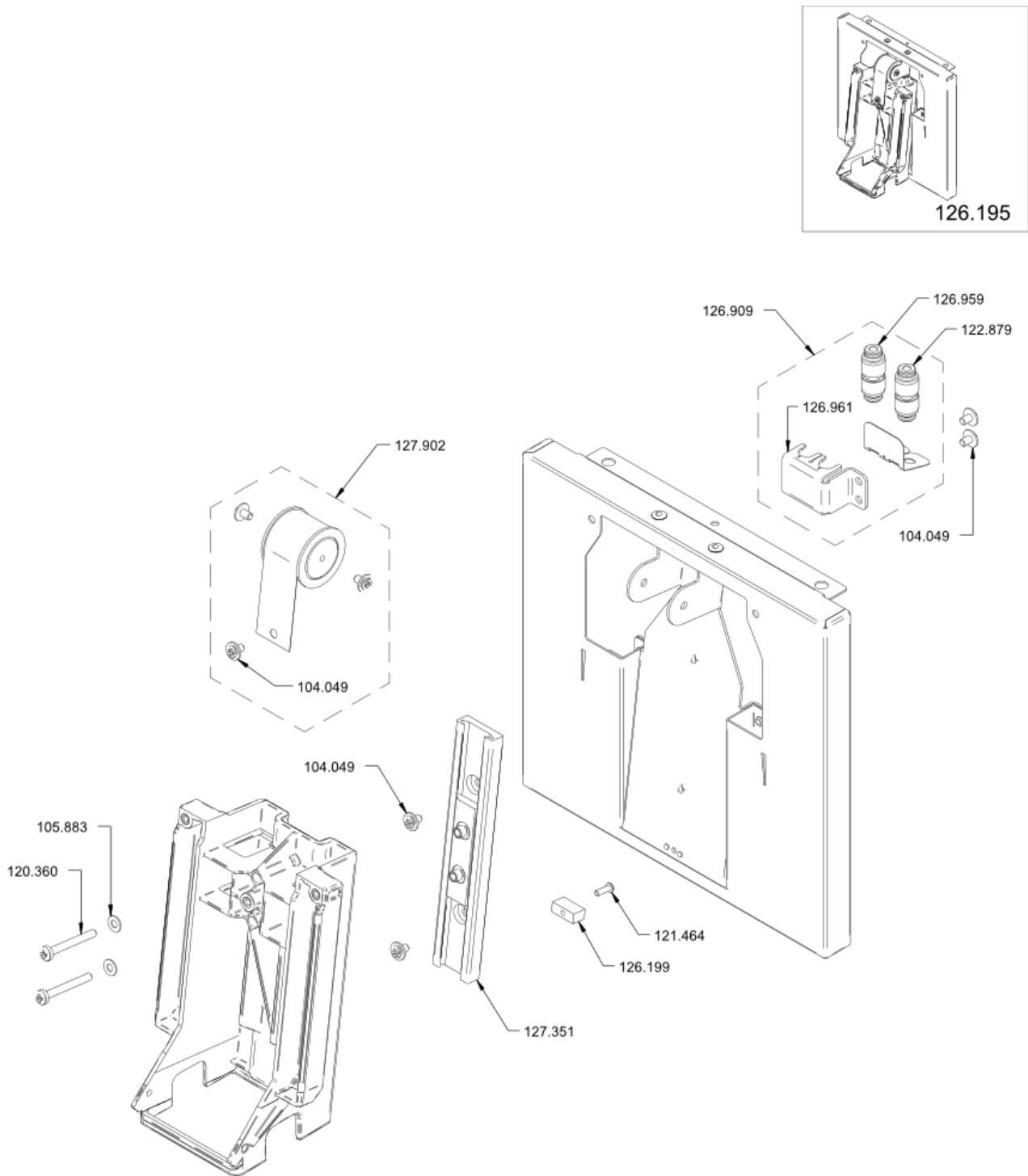
1.5.3 Outlet BW4c CTM-F assy.



1.5.3.1 Supporter plate with housing assy.

Article no.	Description	Quantity
104.049	Oval head screw M4x6 Phillips	3
104.049	Oval head screw M4x6 Phillips	4
105.883	Flat washer M4	2
120.360	Oval head screw M4x35 Tuflok	2
121.464	PT screw KA30x10 philips	1
122.879	Straight connector 4-4	1
126.199	Block	1
126.909	Connector outlet milk tea	1
126.959	Straight connector 4-4	1
126.961	Clamping plate	1
127.351	Linear guiding to discharge assy.	1
127.902	Spring to outlet assy.	1

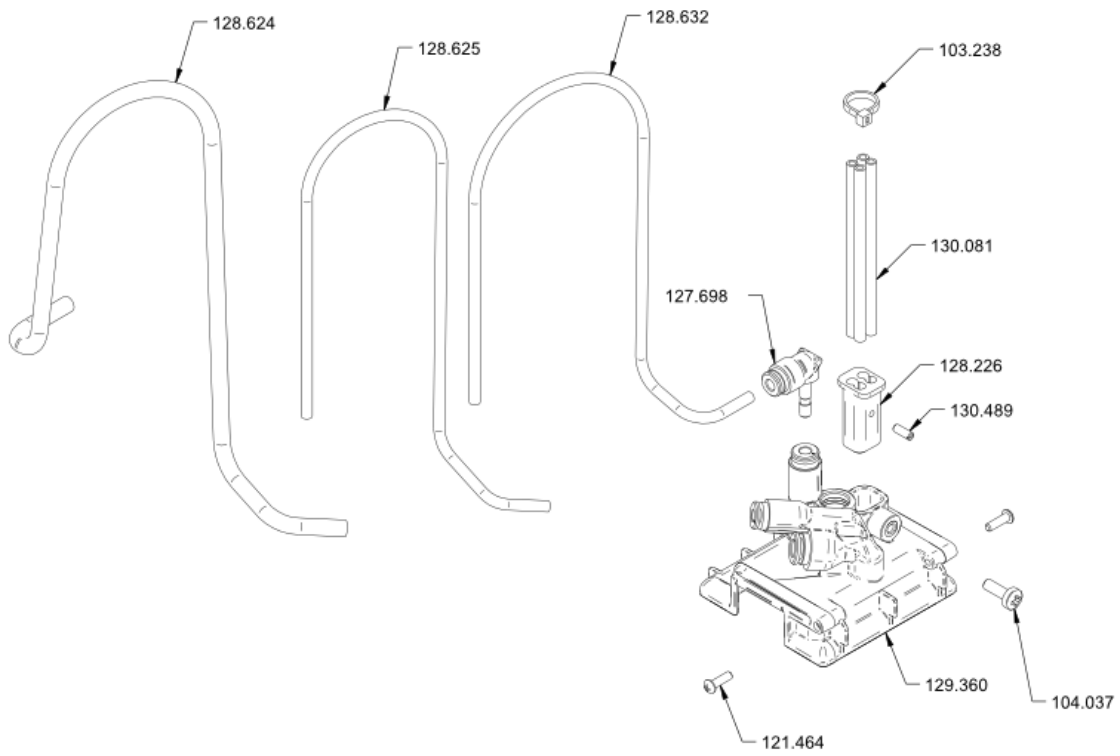
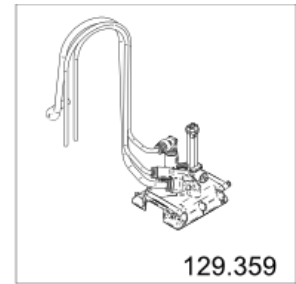
1.5.3.1 Supporter plate with housing assy.



1.5.3.2 Support outlet insert CTM-F set

Article no.	Description	Quantity
103.238	Cable tie 85/22	1
104.037	Oval head screw Phillips M4x12	1
121.464	PT screw KA30x10 philips	2
127.698	Elbow connector 4-4	1
128.226	Connection tubes flavour	1
128.624	FEP pipe $\varnothing 6/4$ x 380mm	1
128.625	FEP pipe $\varnothing 4/2$ x 350mm	1
128.632	FEP pipe $\varnothing 4/2$ x 315mm	1
129.360	Support outlet insert CTM-F assy.	1
130.081	FEP pipe $\varnothing 4/2.5$ x 550mm	4
130.489	Headless screw M3x8	1

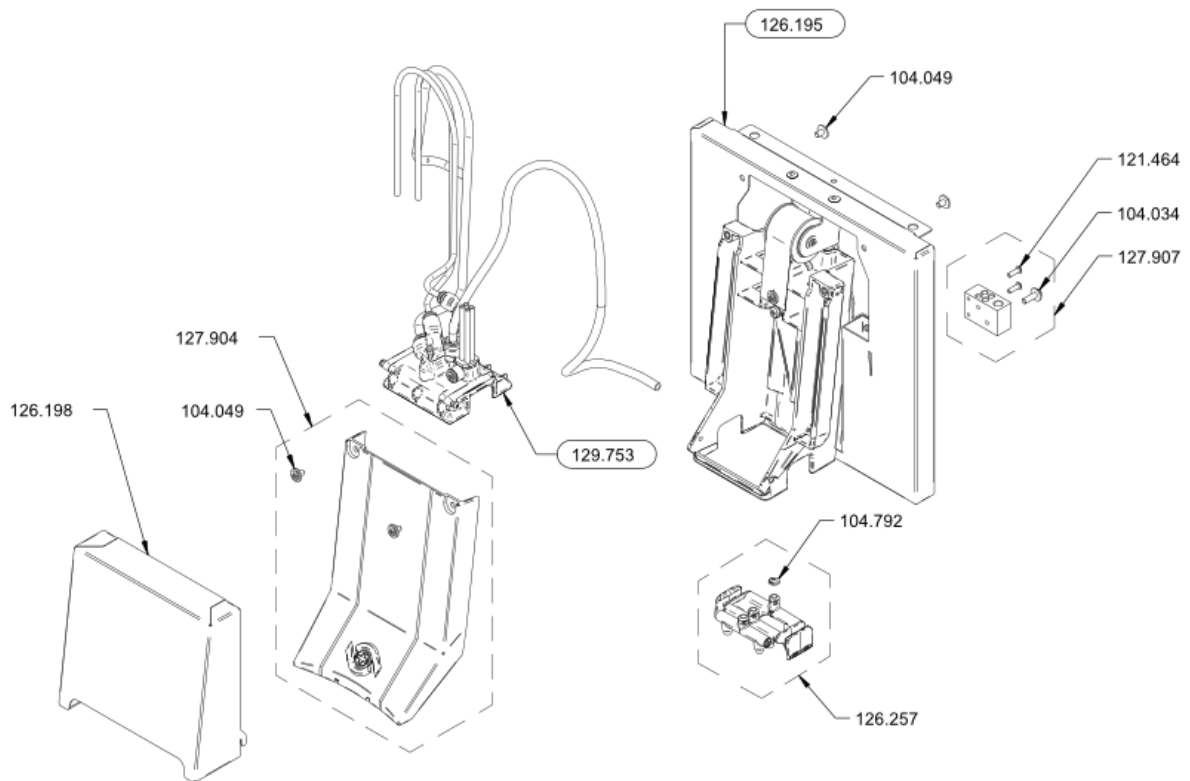
1.5.3.2 Support outlet insert CTM-F set



1.5.4 Outlet BW4c CTM-P-F assy.

Article no.	Description	Quantity
104.034	Oval head screw Phillips M4x12	2
104.049	Oval head screw M4x6 Phillips	2
104.049	Oval head screw M4x6 Phillips	2
104.792	O-Ring 5.00x1.50 FKM 75.5/VA75F	3
121.464	PT screw KA30x10 philips	2
126.195	Supporter plate with housing assy.	1
126.198	Cover	1
126.257	Outlet insert CTMPF assy.	1
127.904	Front outlet set	1
127.907	Connection outlet powder set	1
129.753	Support outlet insert CTM-P-F set	1

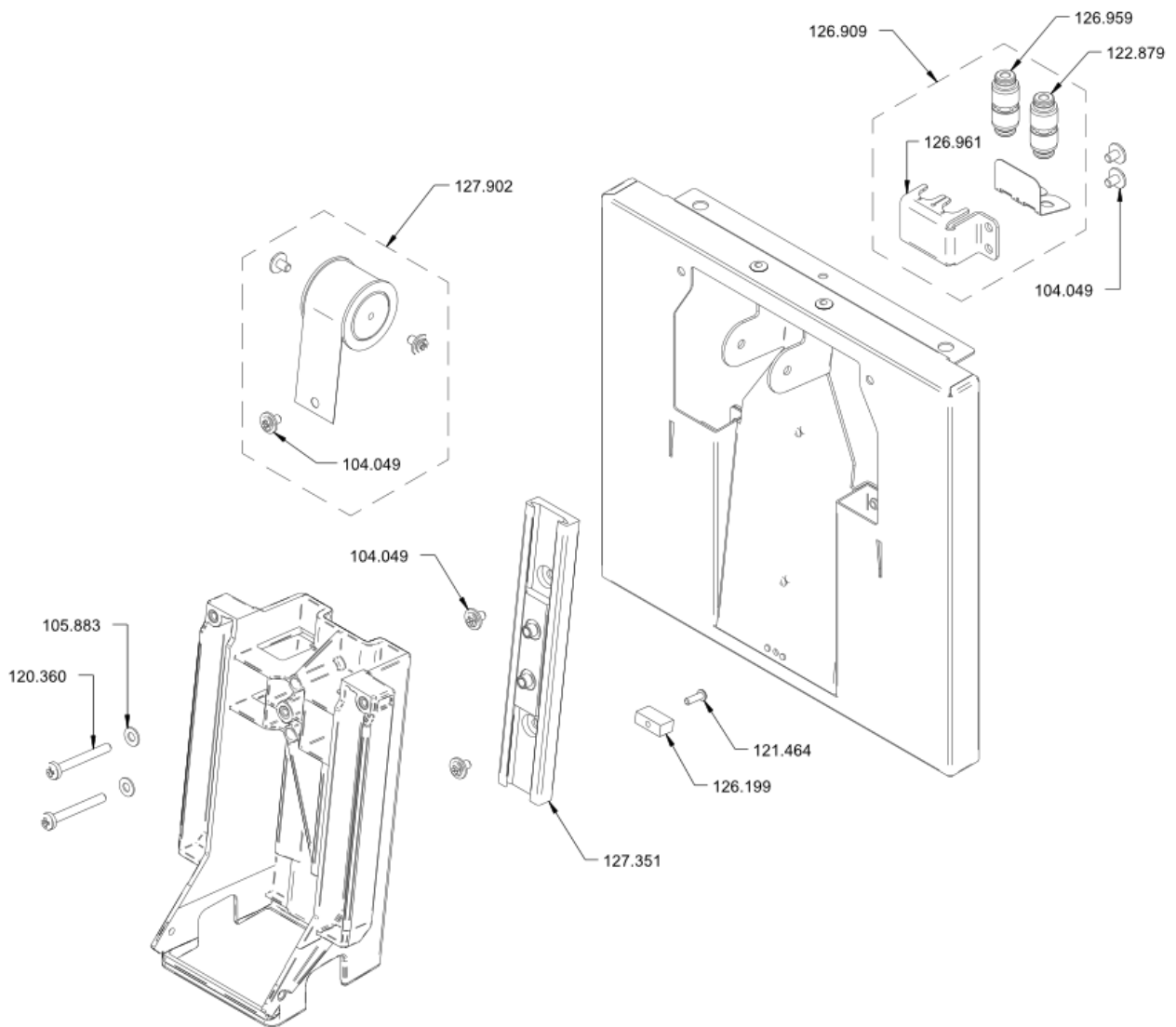
1.5.4 Outlet BW4c CTM-P-F assy.



1.5.4.1 Supporter plate with housing assy.

Article no.	Description	Quantity
104.049	Oval head screw M4x6 Phillips	3
104.049	Oval head screw M4x6 Phillips	4
105.883	Flat washer M4	2
120.360	Oval head screw M4x35 Tuflok	2
121.464	PT screw KA30x10 philips	1
122.879	Straight connector 4-4	1
126.199	Block	1
126.909	Connector outlet milk tea	1
126.959	Straight connector 4-4	1
126.961	Clamping plate	1
127.351	Linear guiding to discharge assy.	1
127.902	Spring to outlet assy.	1

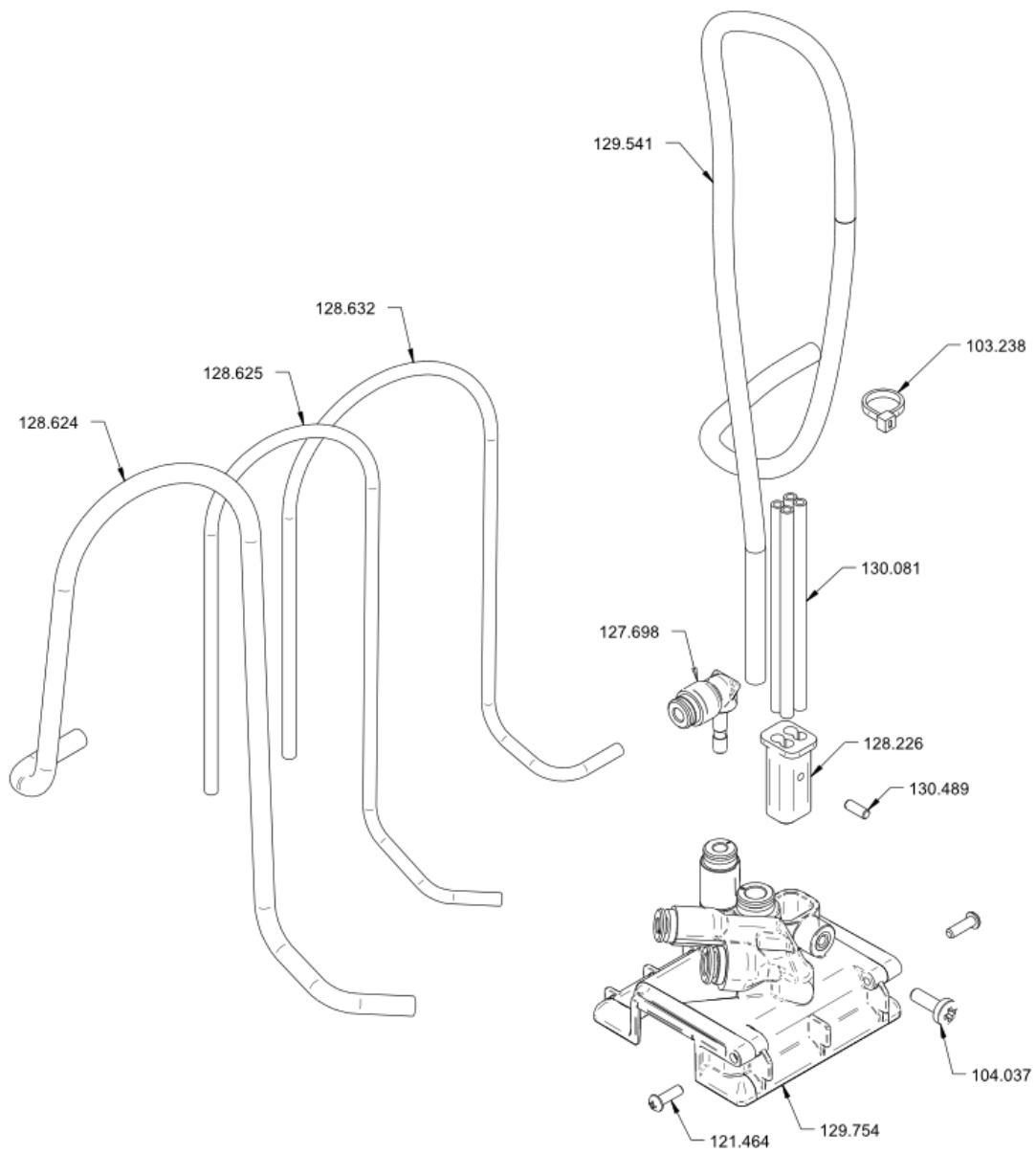
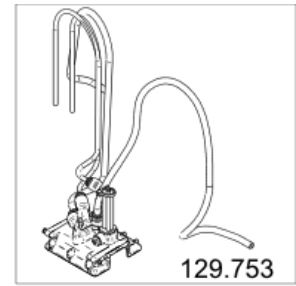
1.5.4.1 Supporter plate with housing assy.



1.5.4.2 Support outlet insert CTM-P-F set

Article no.	Description	Quantity
103.238	Cable tie 85/22	1
104.037	Oval head screw Phillips M4x12	1
121.464	PT screw KA30x10 philips	2
127.698	Elbow connector 4-4	1
128.226	Connection tubes flavour	1
128.624	FEP pipe \varnothing 6/4 x 380mm	1
128.625	FEP pipe \varnothing 4/2 x 350mm	1
128.632	FEP pipe \varnothing 4/2 x 315mm	1
129.541	FEP pipe \varnothing 6/4 x 460mm	1
129.754	Support outlet insert CTM-P-F assy.	1
130.081	FEP pipe \varnothing 4/2.5 x 550mm	4
130.489	Headless screw M3x8	1

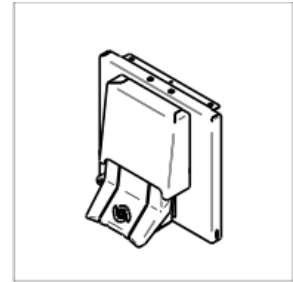
1.5.4.2 Support outlet insert CTM-P-F set

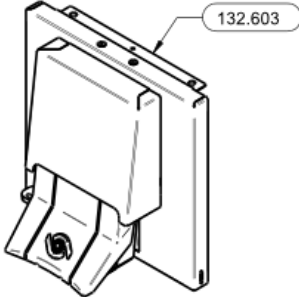
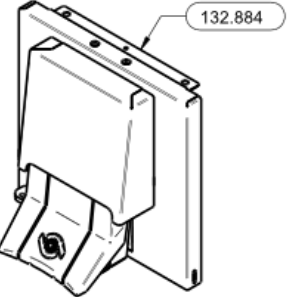
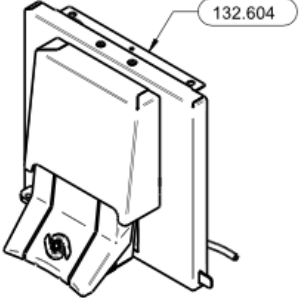
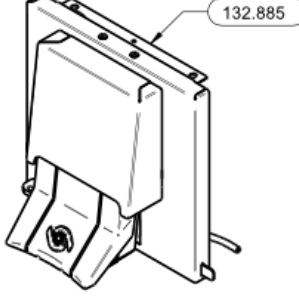
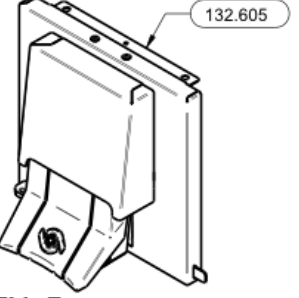
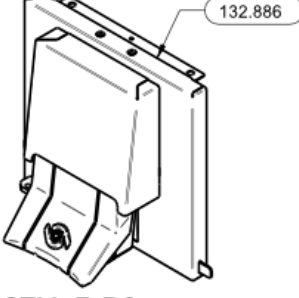
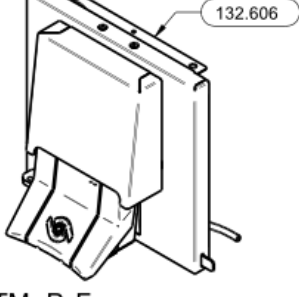
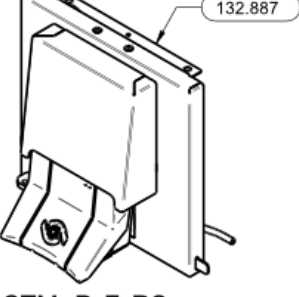


1.6 BW4c lockable assortment

Article no.	Description	Quantity
132.603	Outlet BW4c CTM lock assy.	1
132.604	Outlet BW4c CTM-P lock assy.	1
132.605	Outlet BW4c CTM-F lock assy.	1
132.606	Outlet BW4c CTM-P-F lock assy.	1
132.884	Outlet BW4c CTM-RS lock. assy.	1
132.885	Outlet BW4c CTM-P-RS lock. assy.	1
132.886	Outlet BW4c CTM-F-RS lock. assy.	1
132.887	Outlet BW4c CTM-P-F-RS lock. assy.	1

1.6 BW4c lockable assortment

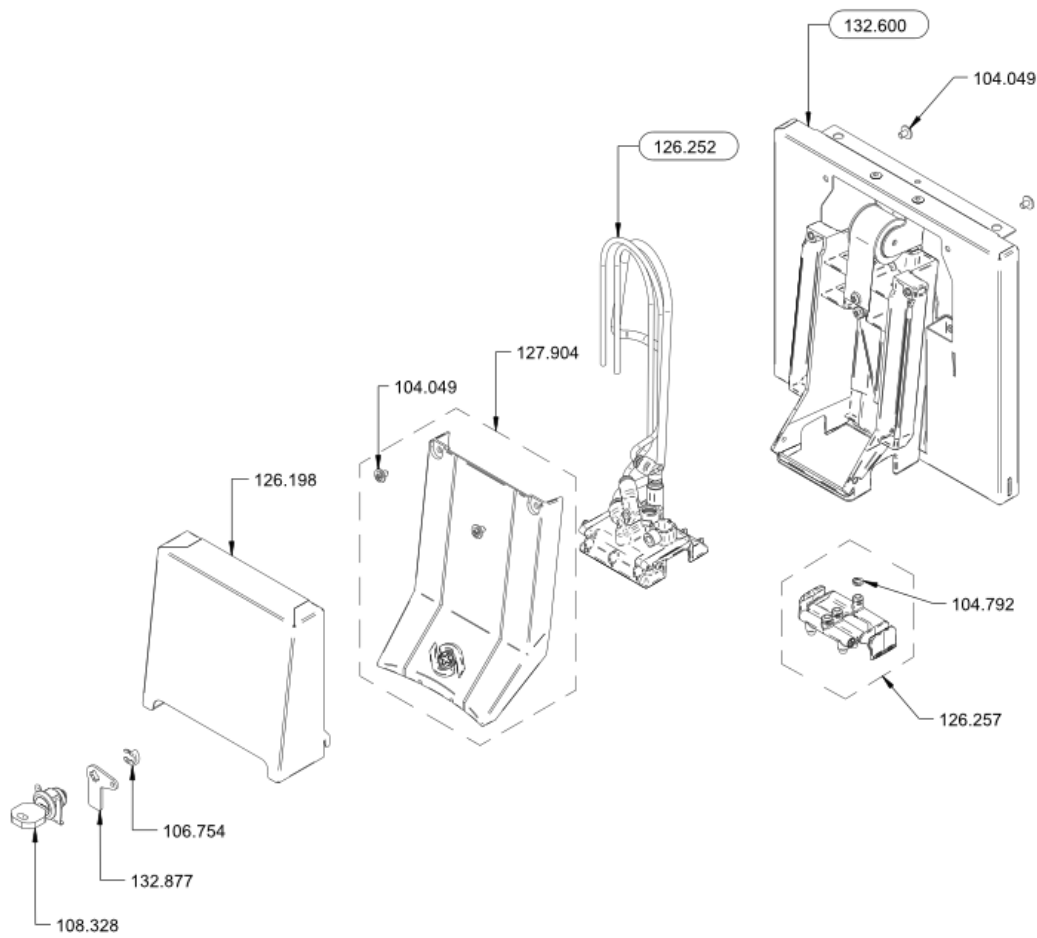


 <p>132.603</p> <p>BW4c CTM</p>	 <p>132.884</p> <p>BW4c CTM-RS</p>
 <p>132.604</p> <p>BW4c CTM-P</p>	 <p>132.885</p> <p>BW4c CTM-P-RS</p>
 <p>132.605</p> <p>BW4c CTM-F</p>	 <p>132.886</p> <p>BW4c CTM-F-RS</p>
 <p>132.606</p> <p>BW4c CTM-P-F</p>	 <p>132.887</p> <p>BW4c CTM-P-F-RS</p>

1.6.1 Outlet BW4c CTM lock assy.

Article no.	Description	Quantity
104.049	Oval head screw M4x6 Phillips	2
104.049	Oval head screw M4x6 Phillips	2
104.792	O-Ring 5.00x1.50 FKM 75.5/VA75F	3
106.754	Washer STS ø8	1
108.328	Cylinder lock with key	1
126.198	Cover	1
126.252	Support outlet insert CTM set	1
126.257	Outlet insert CTMPF assy.	1
127.904	Front outlet set	1
132.600	Supporter plate with housing lock assy.	1
132.877	Bw4c CTM locking latch	1

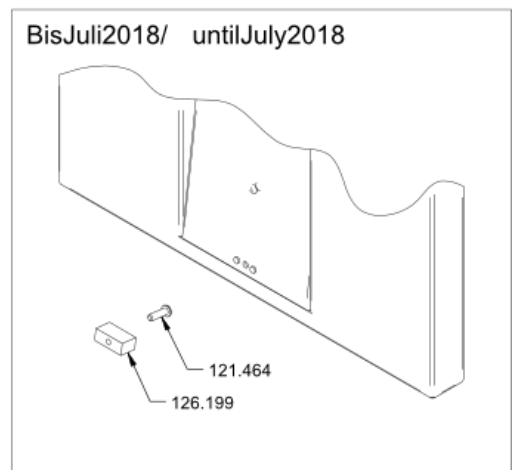
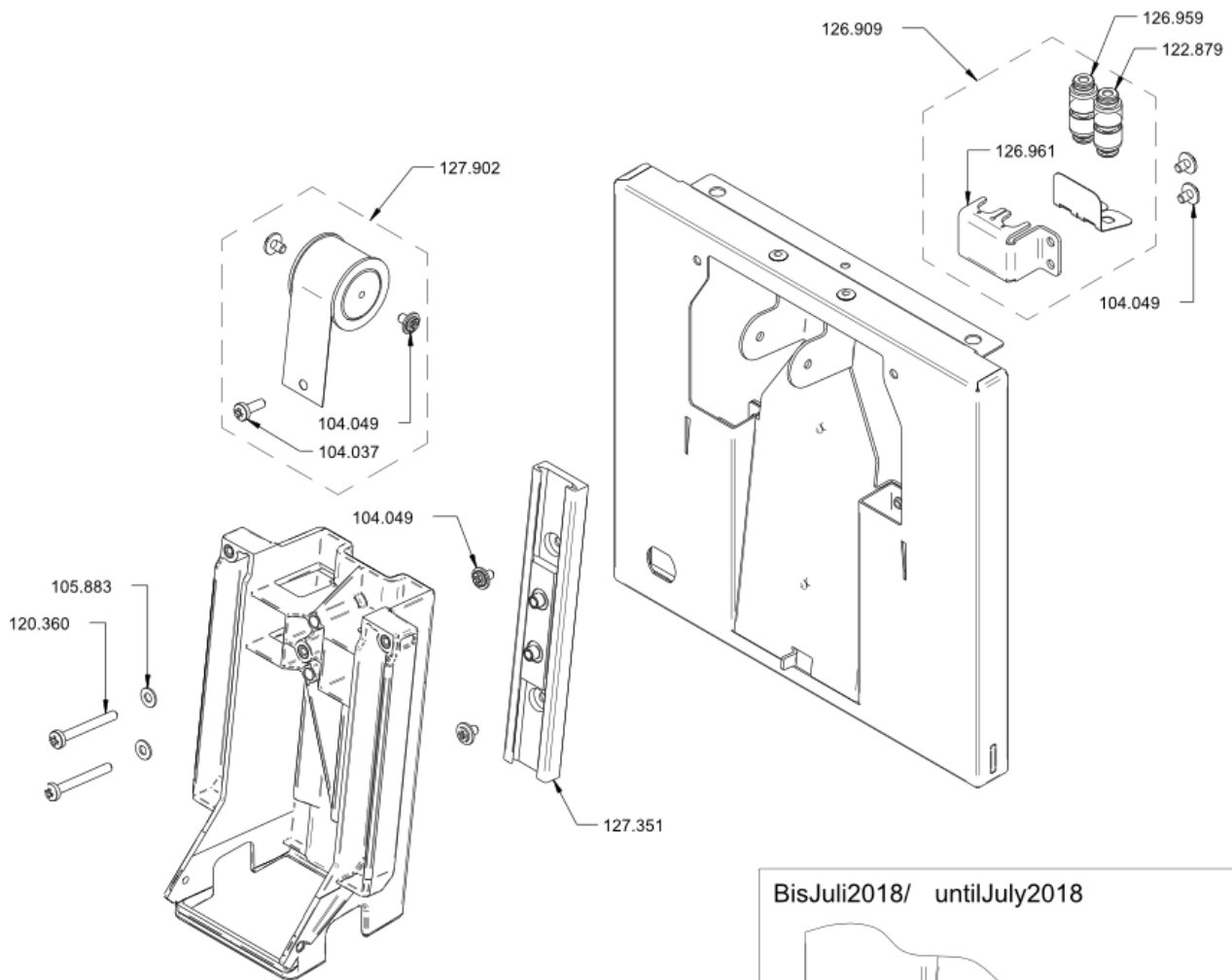
1.6.1 Outlet BW4c CTM lock assy.



1.6.1.1 Supporter plate with housing lock assy.

Article no.	Description	Quantity
104.037	Oval head screw Phillips M4x12	1
104.049	Oval head screw M4x6 Phillips	3
104.049	Oval head screw M4x6 Phillips	4
105.883	Flat washer M4	2
120.360	Oval head screw M4x35 Tuflok	2
121.464	PT screw KA30x10 philips	1
122.879	Straight connector 4-4	1
126.199	Block	1
126.909	Connector outlet milk tea	1
126.959	Straight connector 4-4	1
126.961	Clamping plate and spring plate	1
127.351	Linear guiding to discharge assy.	1
127.902	Spring to outlet assy.	1

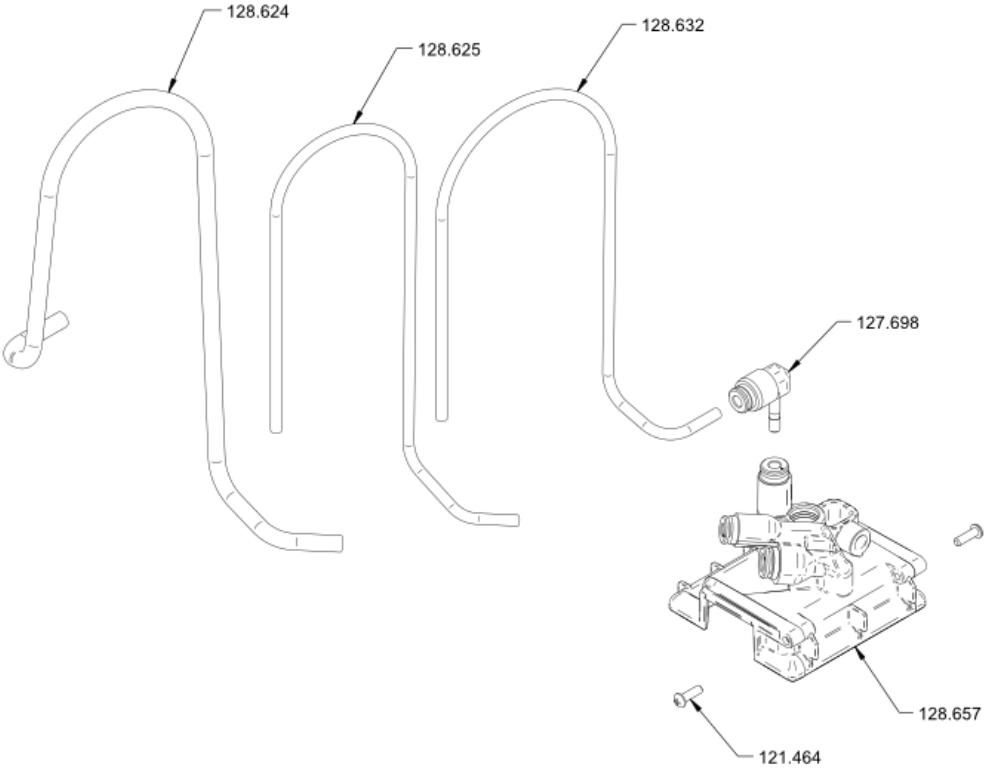
1.6.1.1 Supporter plate with housing lock assy.



1.6.1.2 Support outlet insert CTM set

Article no.	Description	Quantity
121.464	PT screw KA30x10 philips	2
127.698	Elbow connector 4-4	1
128.624	FEP pipe $\varnothing 6/4$ x 380mm	1
128.625	FEP pipe $\varnothing 4/2$ x 350mm	1
128.632	FEP pipe $\varnothing 4/2$ x 315mm	1
128.657	Support outlet insert CTM assy.	1

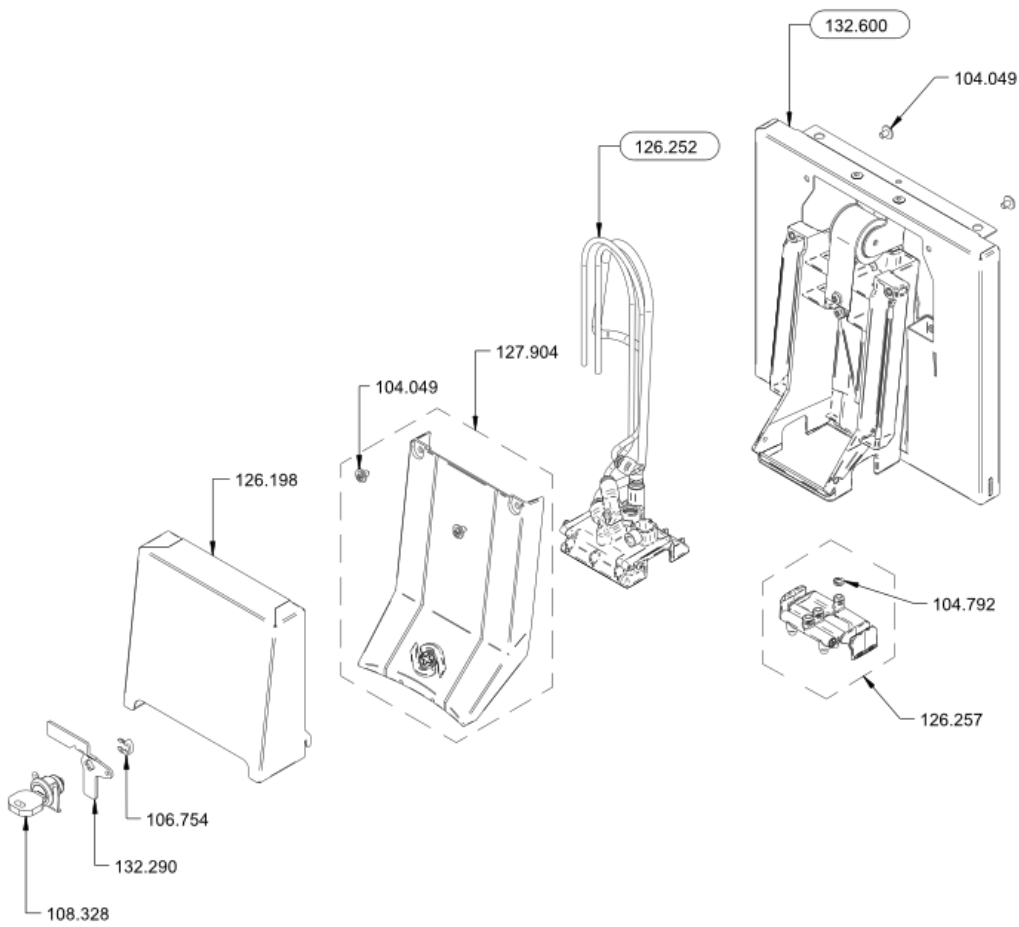
1.6.1.2 Support outlet insert CTM set



1.6.2 Outlet BW4c CTM-RS lock. assy.

Article no.	Description	Quantity
104.049	Oval head screw M4x6 Phillips	2
104.049	Oval head screw M4x6 Phillips	2
104.792	O-Ring 5.00x1.50 FKM 75.5/VA75F	3
106.754	Washer STS ø8	1
108.328	Cylinder lock with key	1
126.198	Cover	1
126.252	Support outlet insert CTM set	1
126.257	Outlet insert CTMPF assy.	1
127.904	Front outlet set	1
132.290	BW4c CTM-RS locking latch	1
132.600	Supporter plate with housing lock assy.	1

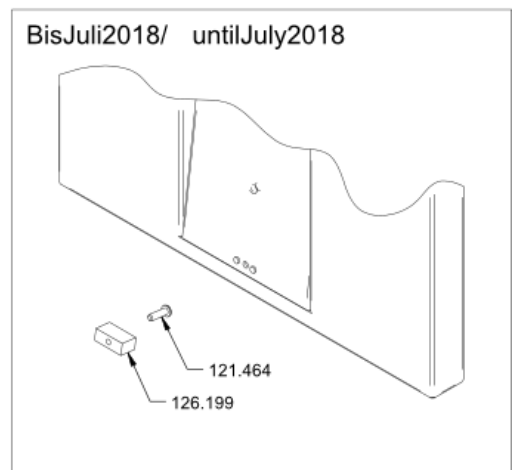
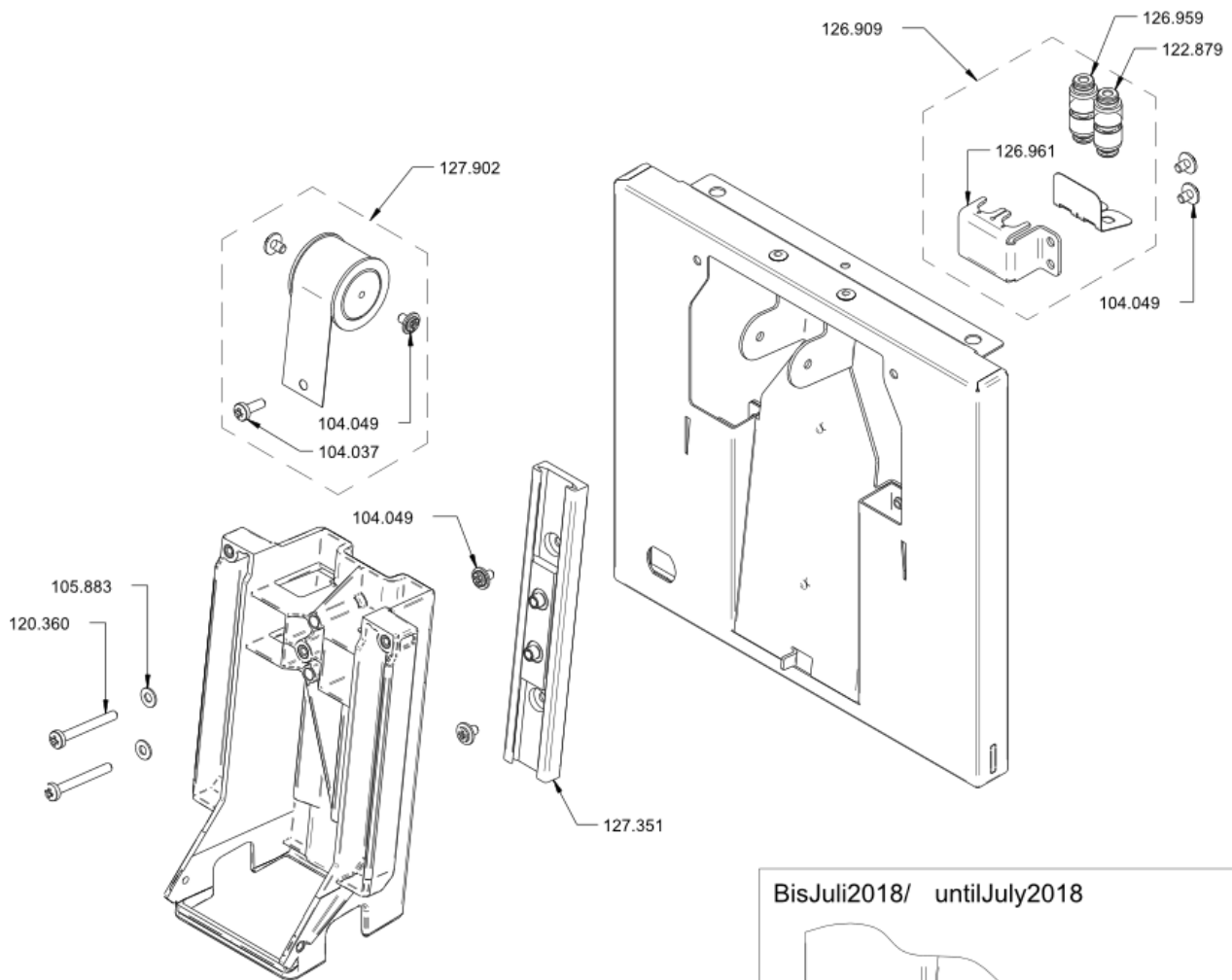
1.6.2 Outlet BW4c CTM-RS lock. assy.



1.6.2.1 Supporter plate with housing lock assy.

Article no.	Description	Quantity
104.037	Oval head screw Phillips M4x12	1
104.049	Oval head screw M4x6 Phillips	3
104.049	Oval head screw M4x6 Phillips	4
105.883	Flat washer M4	2
120.360	Oval head screw M4x35 Tuflok	2
121.464	PT screw KA30x10 philips	1
122.879	Straight connector 4-4	1
126.199	Block	1
126.909	Connector outlet milk tea	1
126.959	Straight connector 4-4	1
126.961	Clamping plate and spring plate	1
127.351	Linear guiding to discharge assy.	1
127.902	Spring to outlet assy.	1

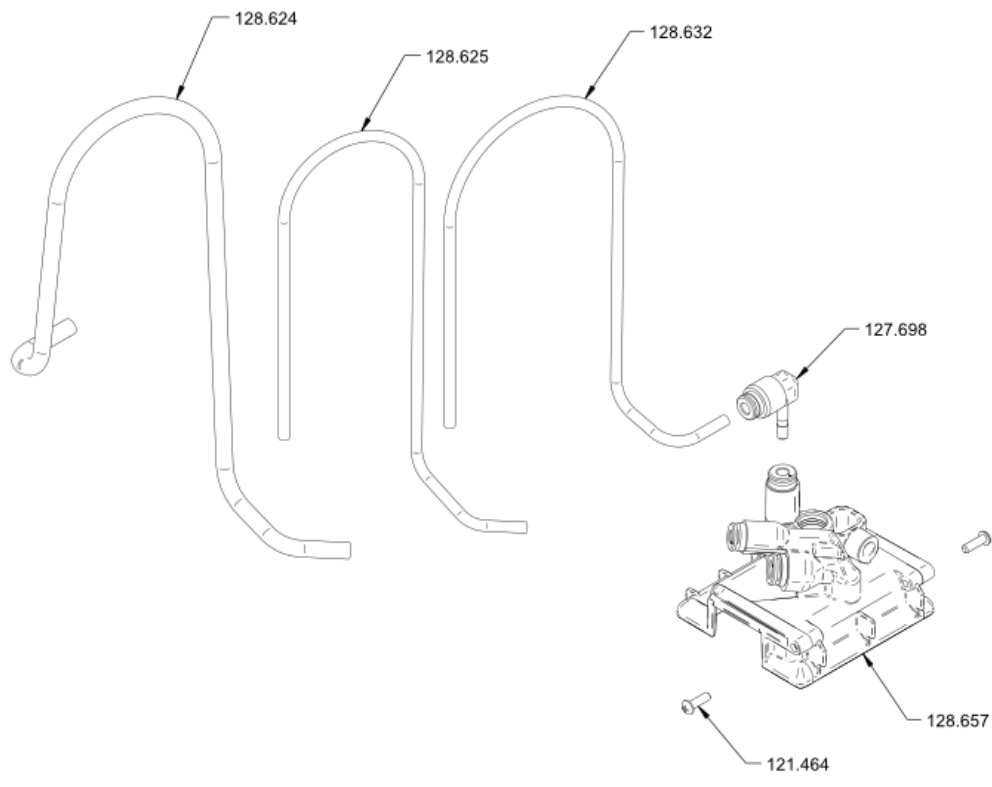
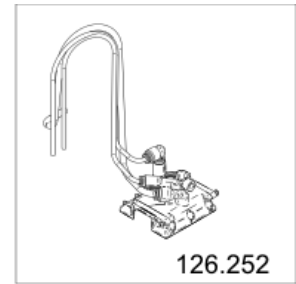
1.6.2.1 Supporter plate with housing lock assy.



1.6.2.2 Support outlet insert CTM set

Article no.	Description	Quantity
121.464	PT screw KA30x10 philips	2
127.698	Elbow connector 4-4	1
128.624	FEP pipe $\varnothing 6/4$ x 380mm	1
128.625	FEP pipe $\varnothing 4/2$ x 350mm	1
128.632	FEP pipe $\varnothing 4/2$ x 315mm	1
128.657	Support outlet insert CTM assy.	1

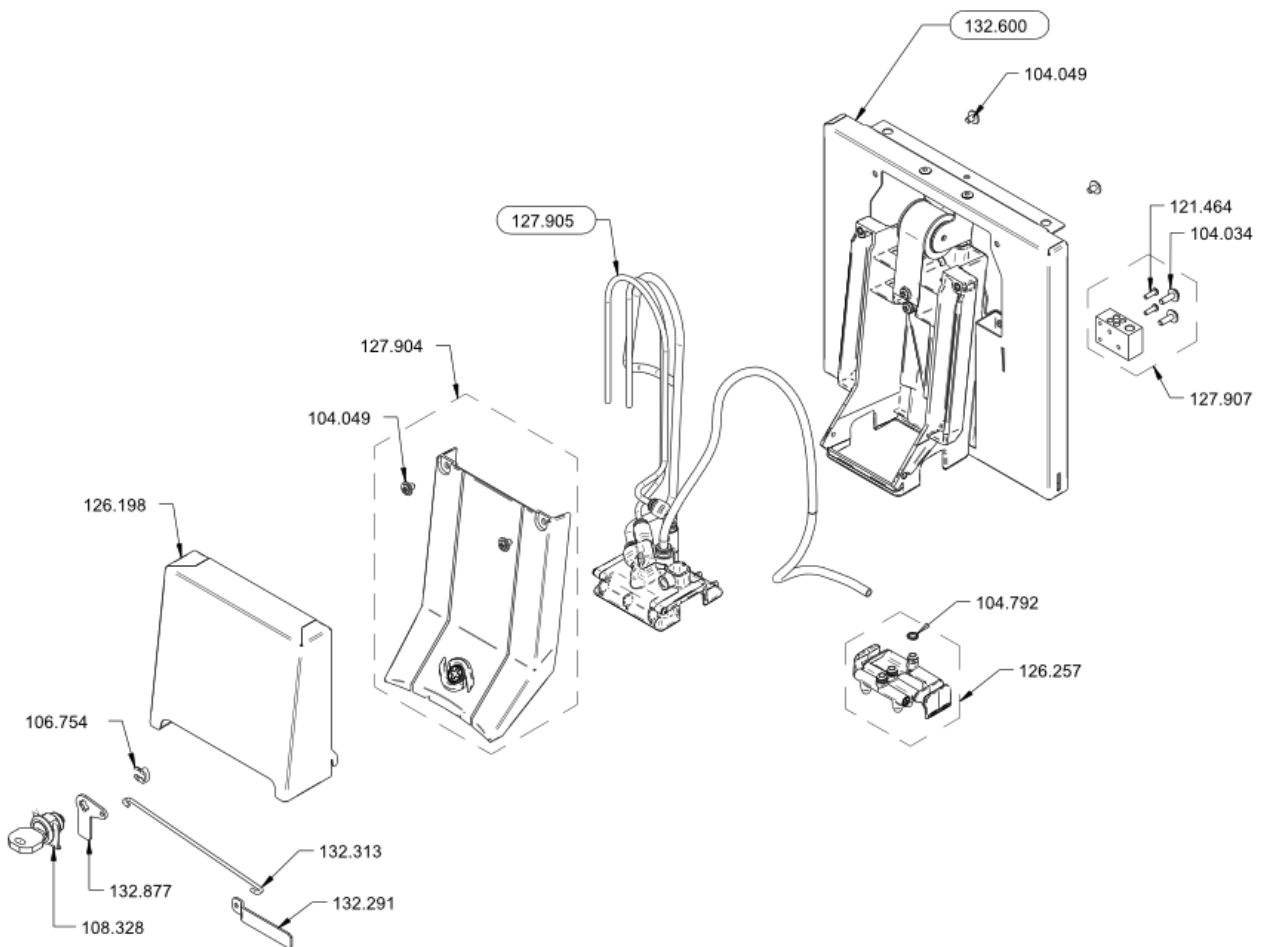
1.6.2.2 Support outlet insert CTM set



1.6.3 Outlet BW4c CTM-P lock assy.

Article no.	Description	Quantity
104.034	Oval head screw Phillips M4x12	2
104.049	Oval head screw M4x6 Phillips	2
104.049	Oval head screw M4x6 Phillips	2
104.792	O-Ring 5.00x1.50 FKM 75.5/VA75F	3
106.754	Washer STS ø8	1
108.328	Cylinder lock with key	1
121.464	PT screw KA30x10 philips	2
126.198	Cover	1
126.257	Outlet insert CTMPF assy.	1
127.904	Front outlet set	1
127.905	Support outlet insert CTM-P set	1
127.907	Connection outlet powder/flavour set	1
132.291	Locking latch P F	1
132.313	BW4c locking rod	1
132.600	Supporter plate with housing lock assy.	1
132.877	Bw4c CTM locking latch	1

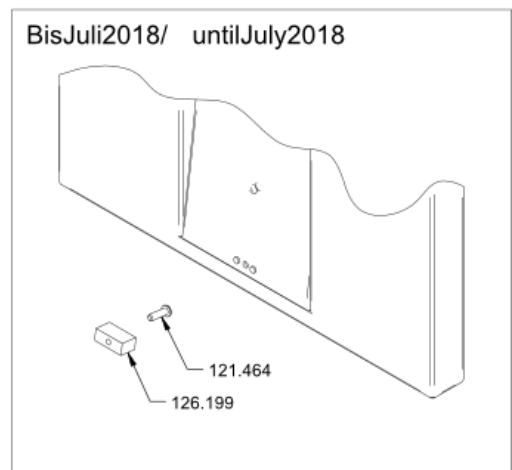
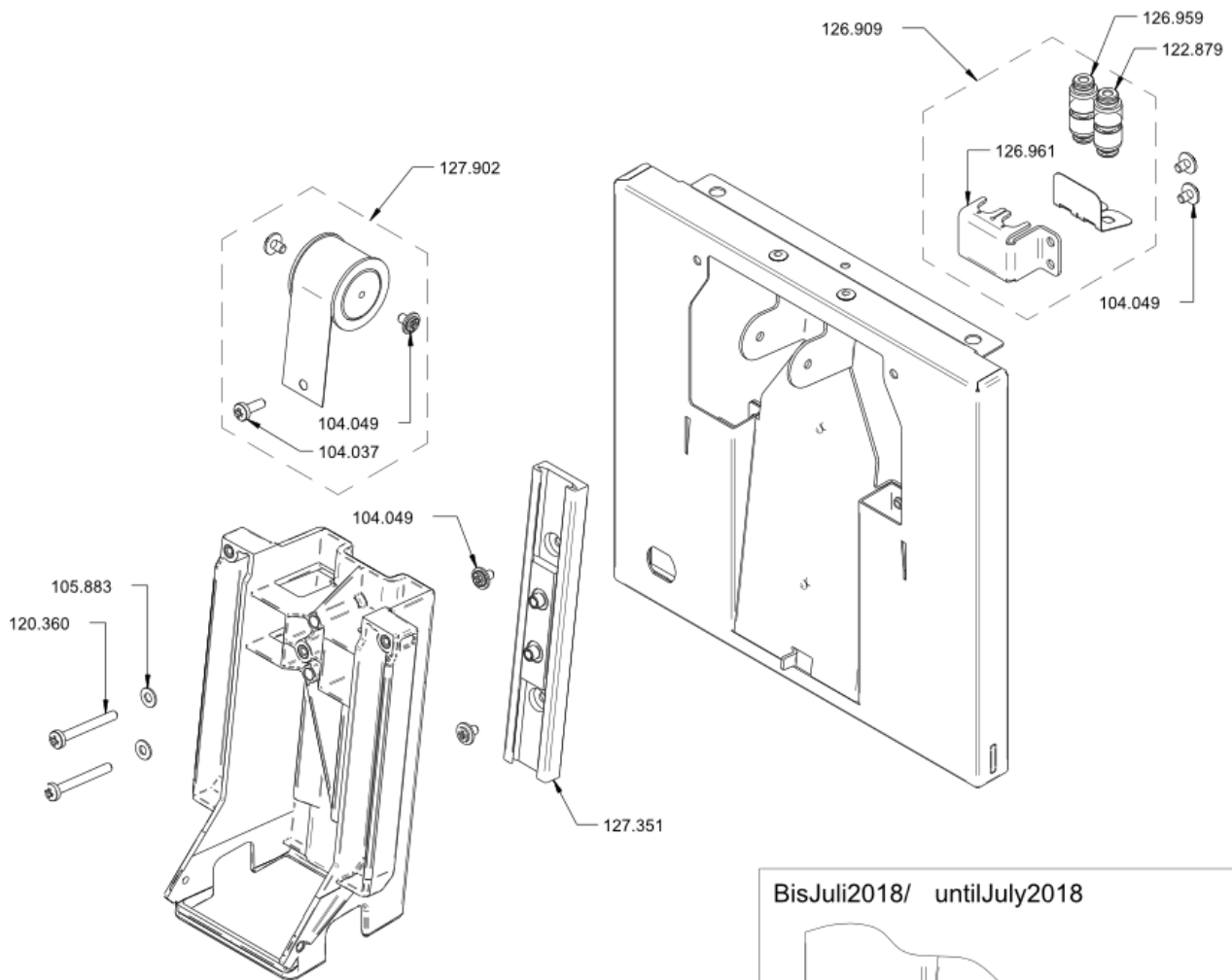
1.6.3 Outlet BW4c CTM-P lock assy.



1.6.3.1 Supporter plate with housing lock assy.

Article no.	Description	Quantity
104.037	Oval head screw Phillips M4x12	1
104.049	Oval head screw M4x6 Phillips	3
104.049	Oval head screw M4x6 Phillips	4
105.883	Flat washer M4	2
120.360	Oval head screw M4x35 Tuflok	2
121.464	PT screw KA30x10 philips	1
122.879	Straight connector 4-4	1
126.199	Block	1
126.909	Connector outlet milk tea	1
126.959	Straight connector 4-4	1
126.961	Clamping plate and spring plate	1
127.351	Linear guiding to discharge assy.	1
127.902	Spring to outlet assy.	1

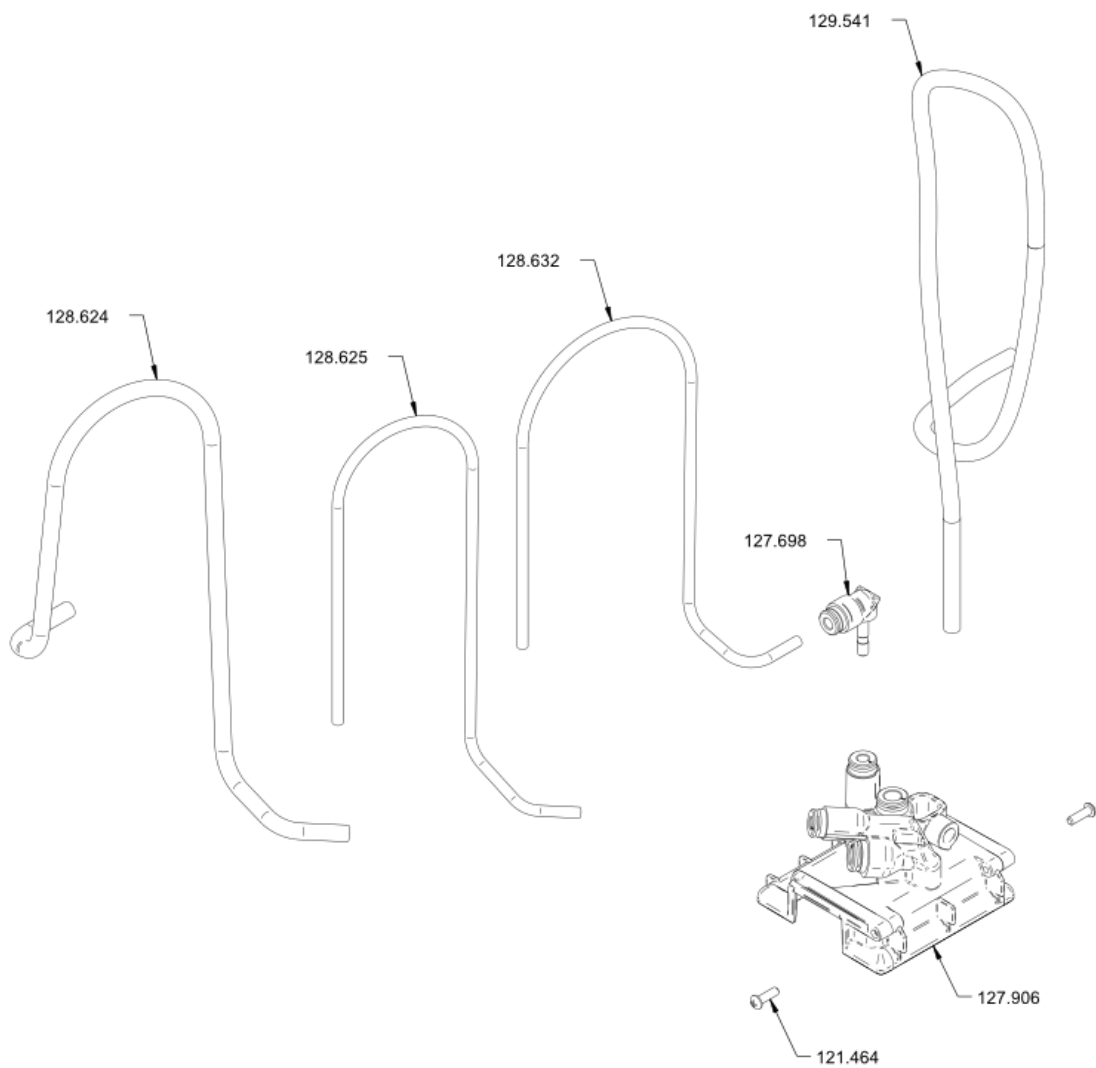
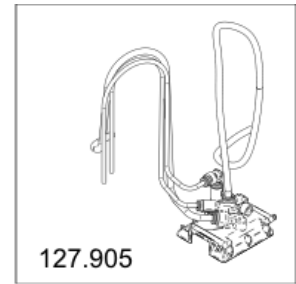
1.6.3.1 Supporter plate with housing lock assy.



1.6.3.2 Support outlet insert CTM-P set

Article no.	Description	Quantity
121.464	PT screw KA30x10 philips	2
127.698	Elbow connector 4-4	1
127.906	Support outlet insert CTM-P assy.	1
128.624	FEP pipe $\varnothing 6/4$ x 380mm	1
128.625	FEP pipe $\varnothing 4/2$ x 350mm	1
128.632	FEP pipe $\varnothing 4/2$ x 315mm	1
129.541	FEP pipe $\varnothing 6/4$ x 515mm	1

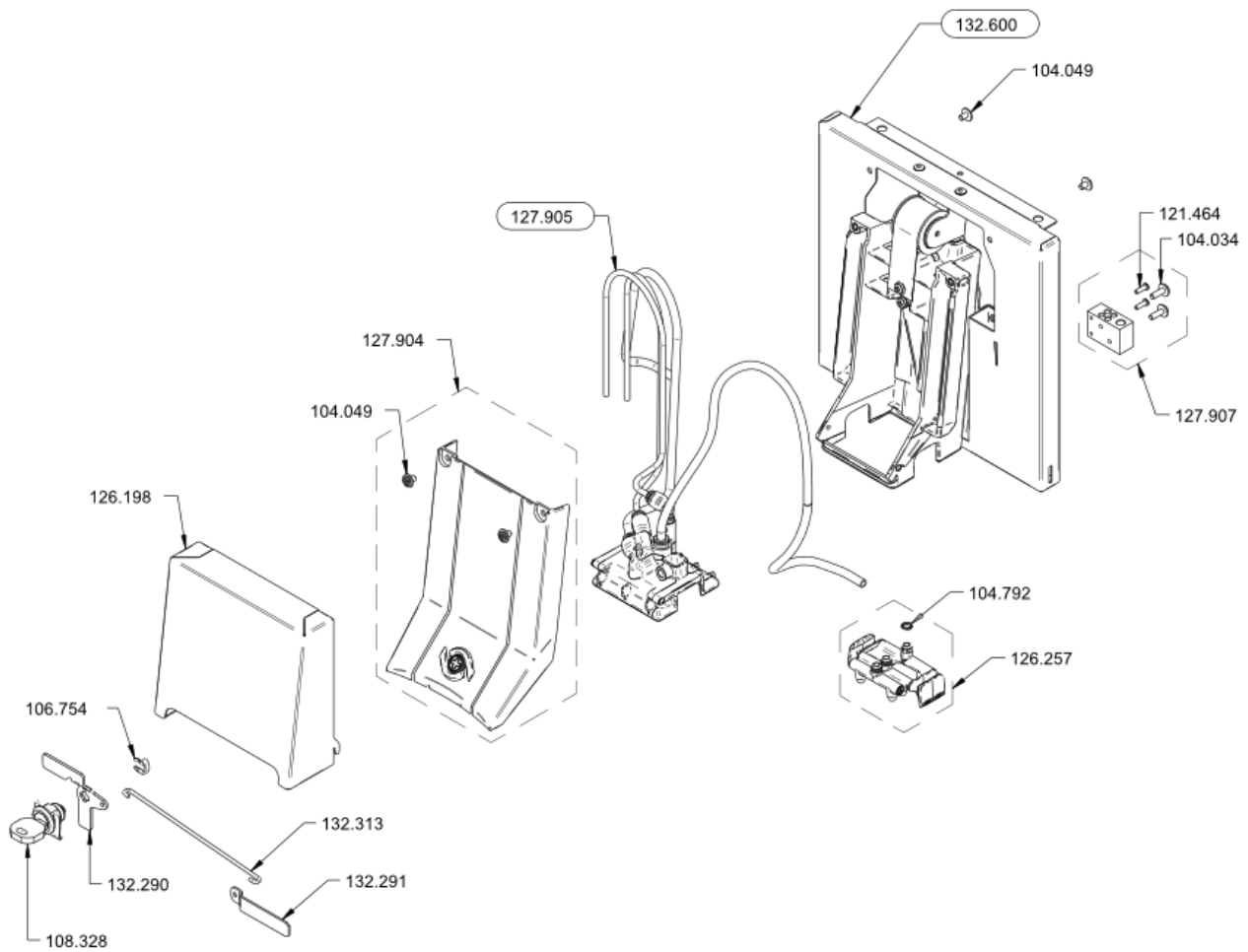
1.6.3.2 Support outlet insert CTM-P set



1.6.4 Outlet BW4c CTM-P-RS lock. assy.

Article no.	Description	Quantity
104.034	Oval head screw Phillips M4x12	2
104.049	Oval head screw M4x6 Phillips	2
104.049	Oval head screw M4x6 Phillips	2
104.792	O-Ring 5.00x1.50 FKM 75.5/VA75F	3
106.754	Washer STS ø8	1
108.328	Cylinder lock with key	1
121.464	PT screw KA30x10 philips	2
126.198	Cover	1
126.257	Outlet insert CTMPF assy.	1
127.904	Front outlet set	1
127.905	Support outlet insert CTM-P set	1
127.907	Connection outlet powder/flavour set	1
132.290	BW4c CTM-RS locking latch	1
132.291	Locking latch P F	1
132.313	BW4c locking rod	1
132.600	Supporter plate with housing lock assy.	1

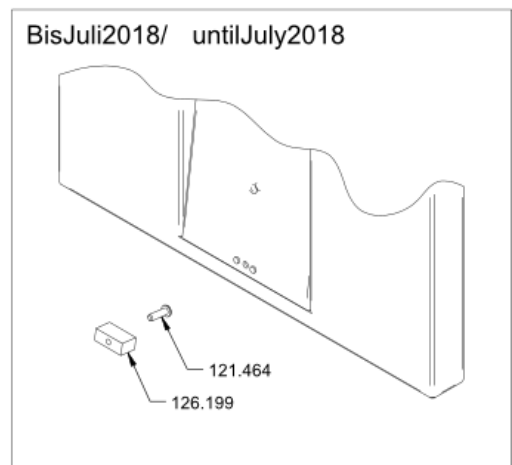
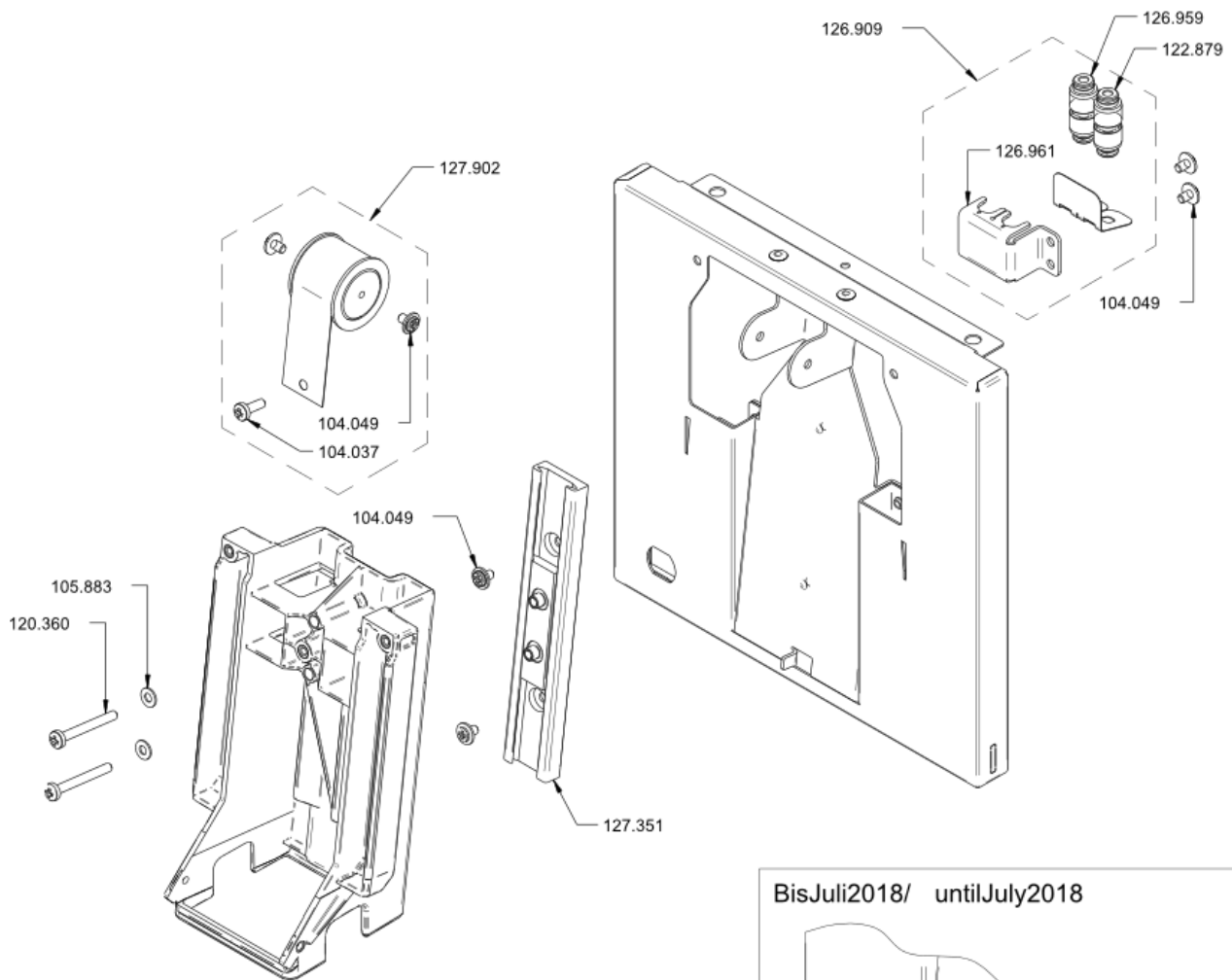
1.6.4 Outlet BW4c CTM-P-RS lock. assy.



1.6.4.1 Supporter plate with housing lock assy.

Article no.	Description	Quantity
104.037	Oval head screw Phillips M4x12	1
104.049	Oval head screw M4x6 Phillips	3
104.049	Oval head screw M4x6 Phillips	4
105.883	Flat washer M4	2
120.360	Oval head screw M4x35 Tuflok	2
121.464	PT screw KA30x10 philips	1
122.879	Straight connector 4-4	1
126.199	Block	1
126.909	Connector outlet milk tea	1
126.959	Straight connector 4-4	1
126.961	Clamping plate and spring plate	1
127.351	Linear guiding to discharge assy.	1
127.902	Spring to outlet assy.	1

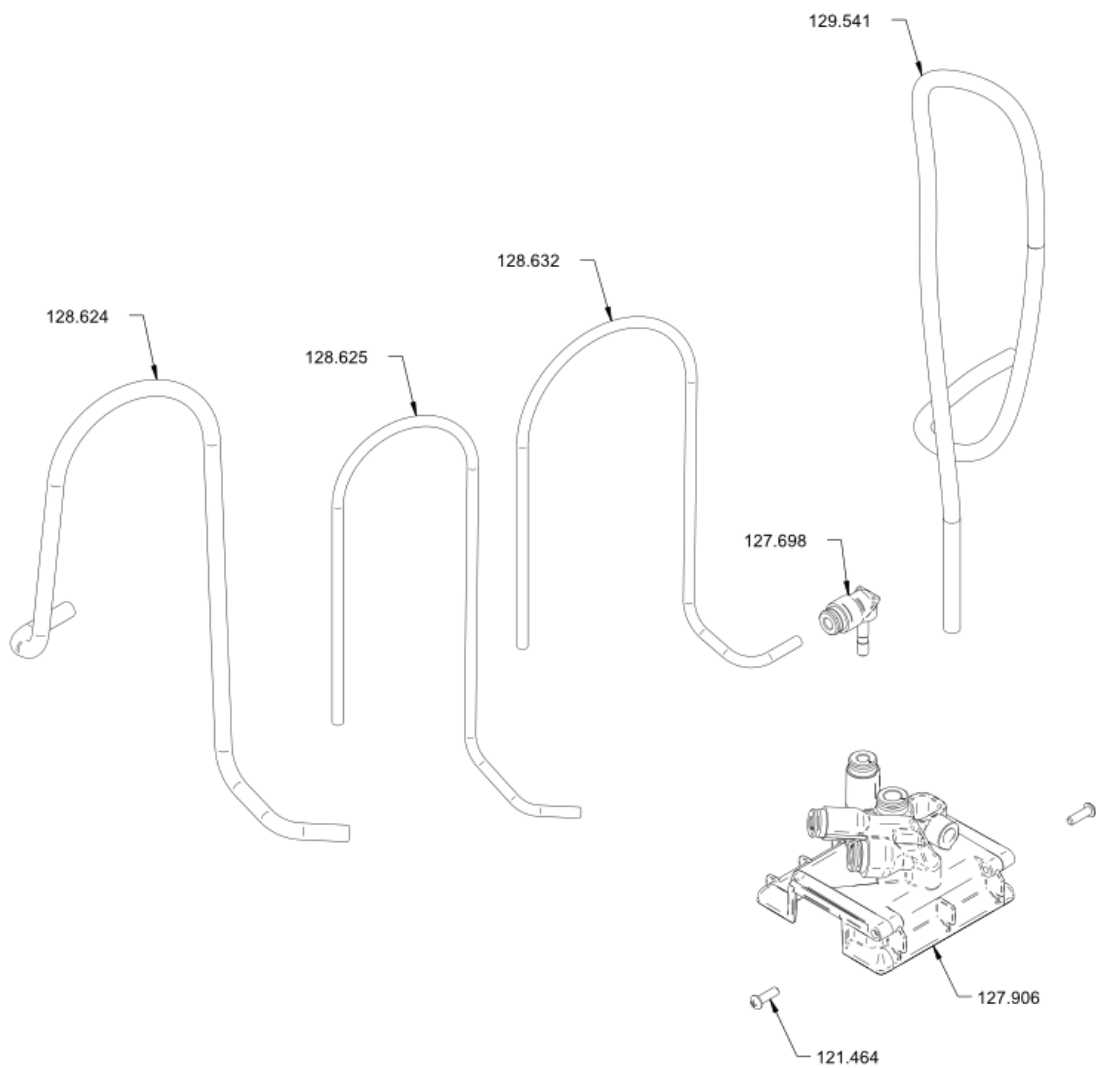
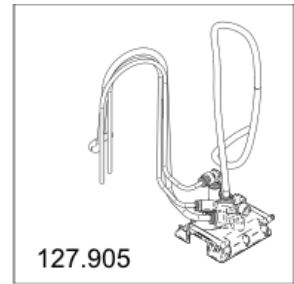
1.6.4.1 Supporter plate with housing lock assy.



1.6.4.2 Support outlet insert CTM-P set

Article no.	Description	Quantity
121.464	PT screw KA30x10 philips	2
127.698	Elbow connector 4-4	1
127.906	Support outlet insert CTM-P assy.	1
128.624	FEP pipe \varnothing 6/4 x 380mm	1
128.625	FEP pipe \varnothing 4/2 x 350mm	1
128.632	FEP pipe \varnothing 4/2 x 315mm	1
129.541	FEP pipe \varnothing 6/4 x 515mm	1

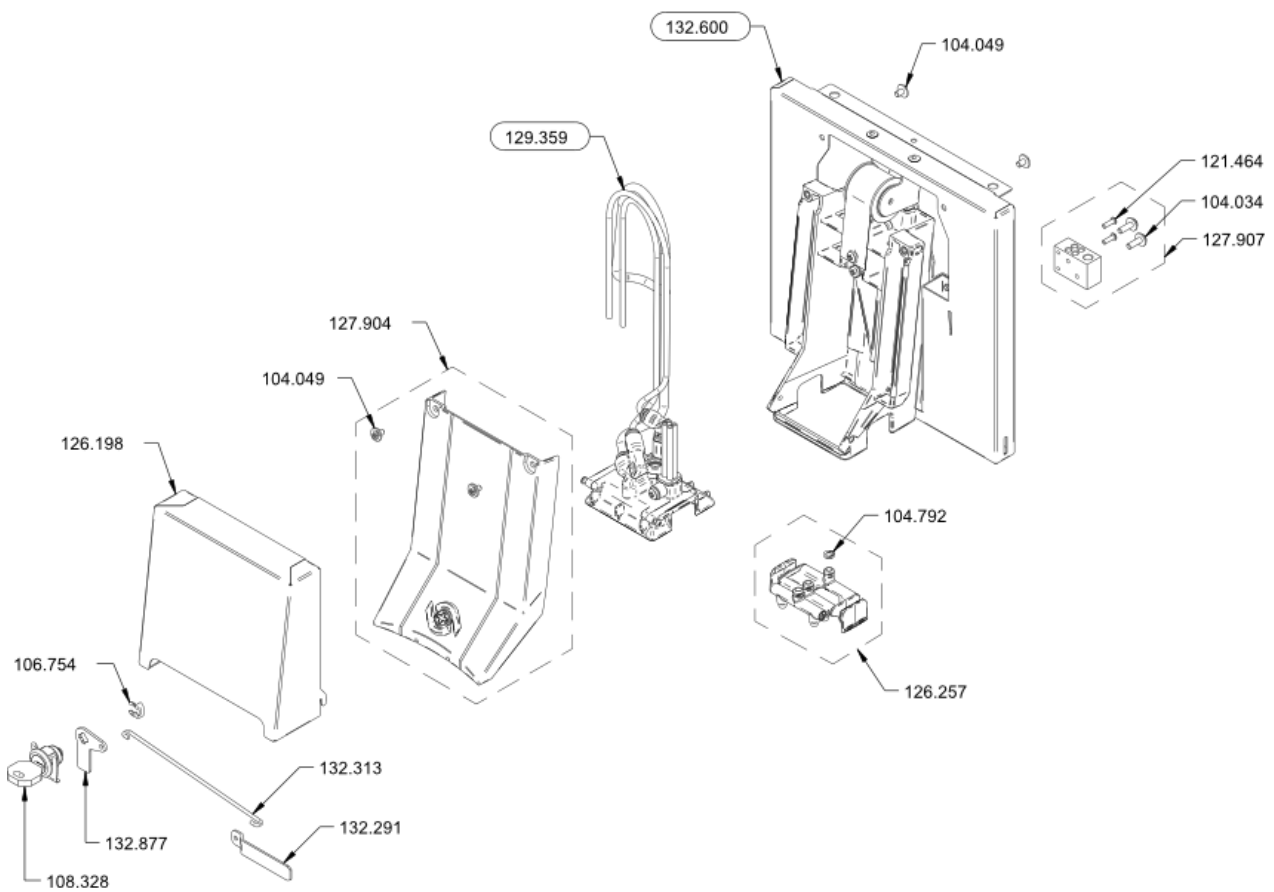
1.6.4.2 Support outlet insert CTM-P set



1.6.5 Outlet BW4c CTM-F lock assy.

Article no.	Description	Quantity
104.034	Oval head screw Phillips M4x12	2
104.049	Oval head screw M4x6 Phillips	2
104.049	Oval head screw M4x6 Phillips	2
104.792	O-Ring 5.00x1.50 FKM 75.5/VA75F	3
106.754	Washer STS ø8	1
108.328	Cylinder lock with key	1
121.464	PT screw KA30x10 philips	2
126.198	Cover	1
126.257	Outlet insert CTMPF assy.	1
127.904	Front outlet set	1
127.907	Connection outlet powder/flavour set	1
129.359	Support outlet insert CTM-F set	1
132.291	Locking latch P F	1
132.313	BW4c locking rod	1
132.600	Supporter plate with housing lock assy.	1
132.877	Bw4c CTM locking latch	1

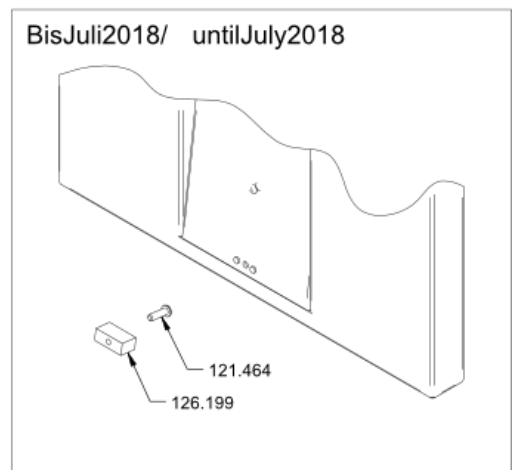
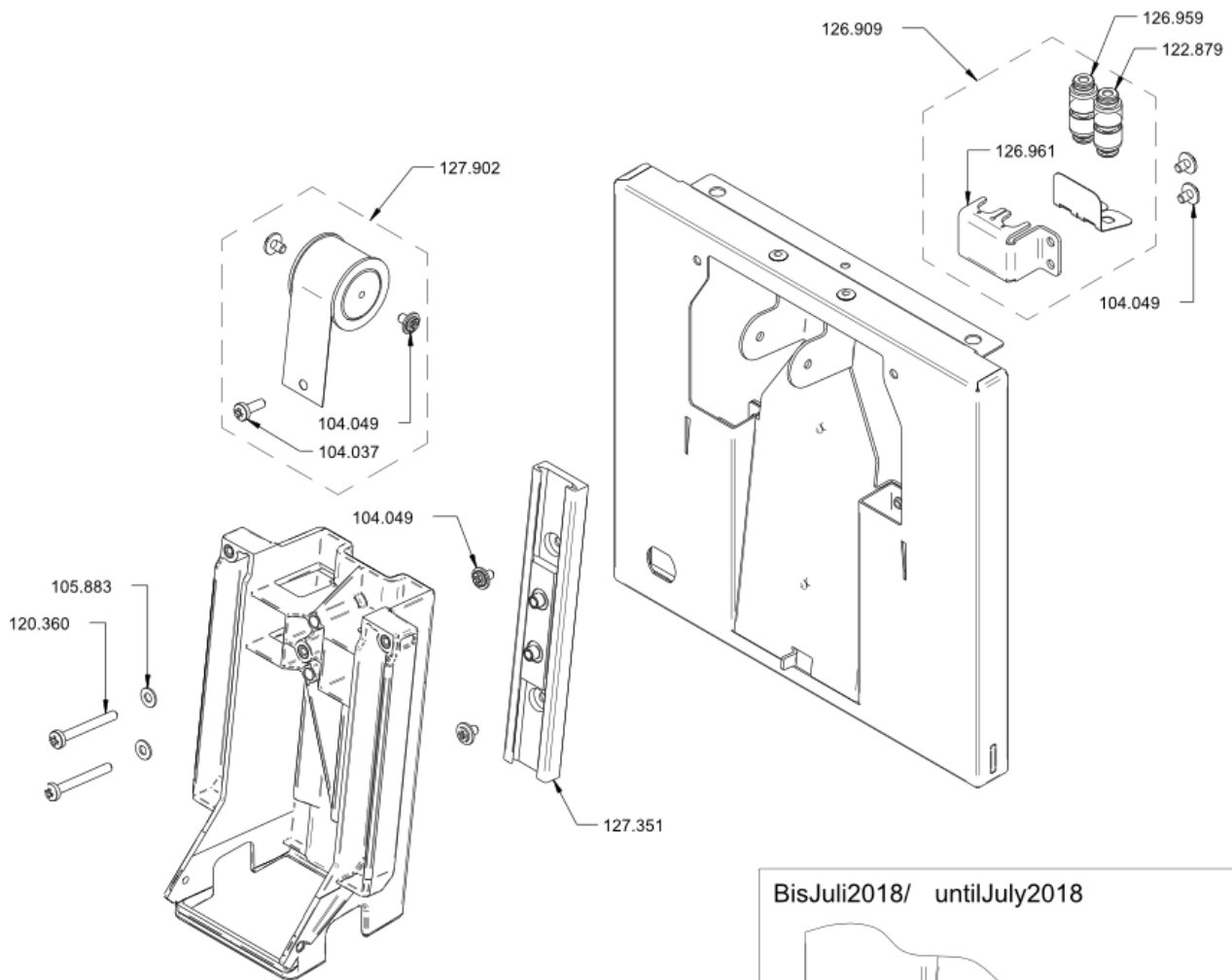
1.6.5 Outlet BW4c CTM-F lock assy.



1.6.5.1 Supporter plate with housing lock assy.

Article no.	Description	Quantity
104.037	Oval head screw Phillips M4x12	1
104.049	Oval head screw M4x6 Phillips	3
104.049	Oval head screw M4x6 Phillips	4
105.883	Flat washer M4	2
120.360	Oval head screw M4x35 Tuflok	2
121.464	PT screw KA30x10 philips	1
122.879	Straight connector 4-4	1
126.199	Block	1
126.909	Connector outlet milk tea	1
126.959	Straight connector 4-4	1
126.961	Clamping plate and spring plate	1
127.351	Linear guiding to discharge assy.	1
127.902	Spring to outlet assy.	1

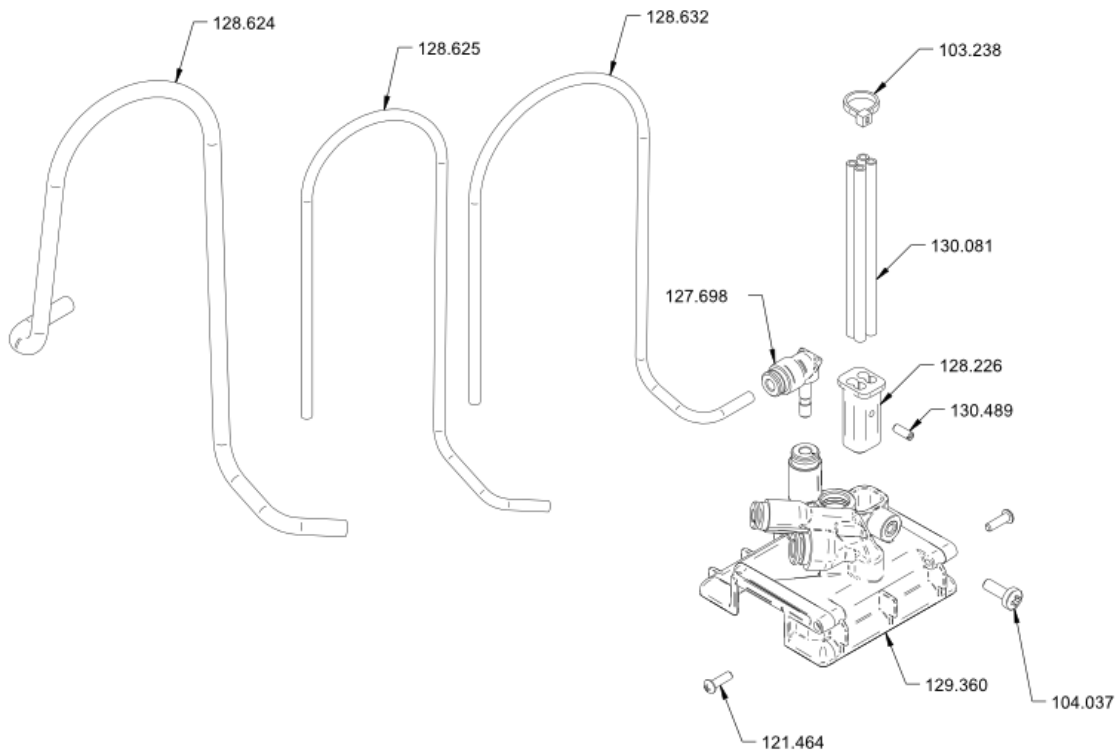
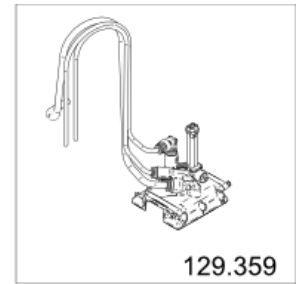
1.6.5.1 Supporter plate with housing lock assy.



1.6.5.2 Support outlet insert CTM-F set

Article no.	Description	Quantity
103.238	Cable tie 85/22	1
104.037	Oval head screw Phillips M4x12	1
121.464	PT screw KA30x10 philips	2
127.698	Elbow connector 4-4	1
128.226	Connection tubes flavour	1
128.624	FEP pipe $\varnothing 6/4$ x 380mm	1
128.625	FEP pipe $\varnothing 4/2$ x 350mm	1
128.632	FEP pipe $\varnothing 4/2$ x 315mm	1
129.360	Support outlet insert CTM-F assy.	1
130.081	FEP pipe $\varnothing 4/2.5$ x 550mm	4
130.489	Headless screw M3x8	1

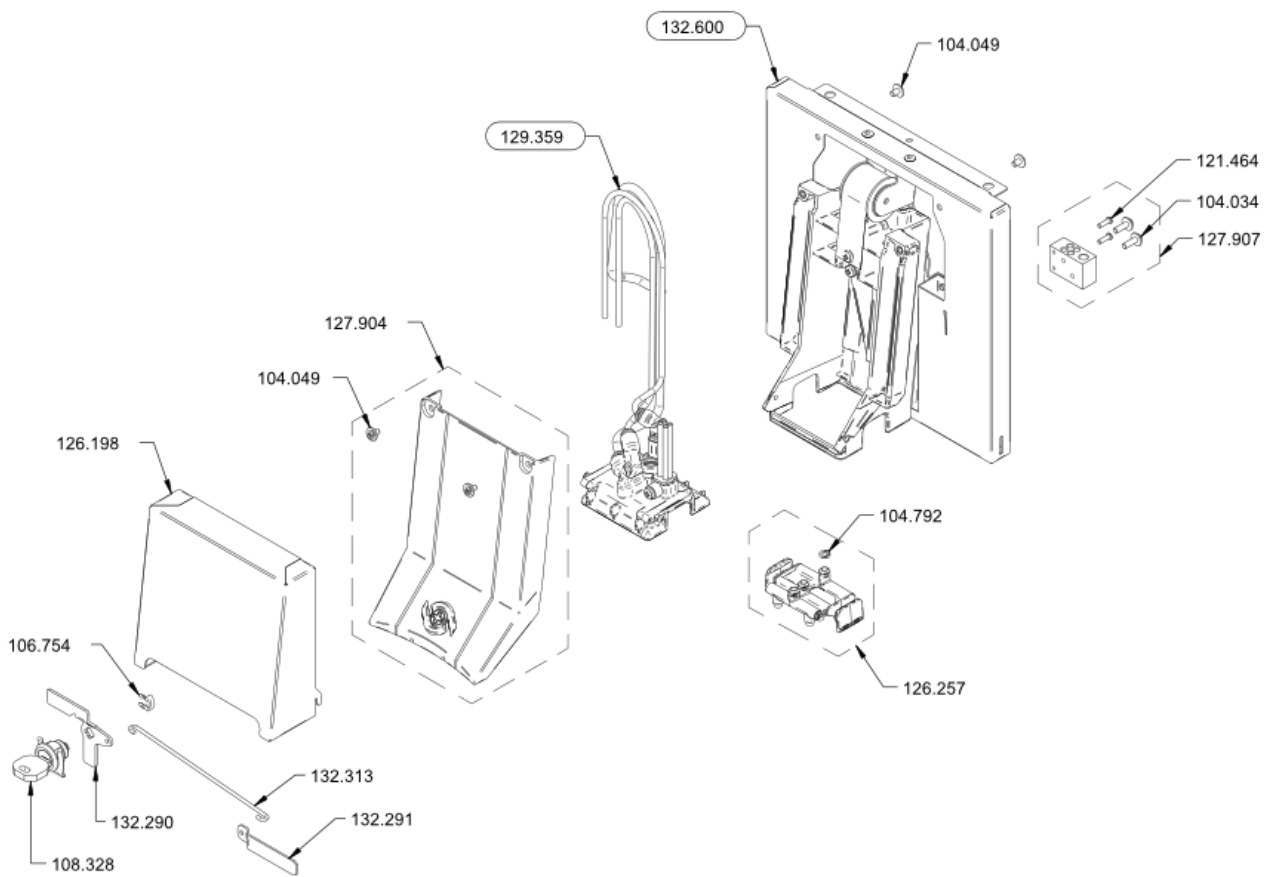
1.6.5.2 Support outlet insert CTM-F set



1.6.6 Outlet BW4c CTM-F-RS lock. assy.

Article no.	Description	Quantity
104.034	Oval head screw Phillips M4x12	2
104.049	Oval head screw M4x6 Phillips	2
104.049	Oval head screw M4x6 Phillips	2
104.792	O-Ring 5.00x1.50 FKM 75.5/VA75F	3
106.754	Washer STS ø8	1
108.328	Cylinder lock with key	1
121.464	PT screw KA30x10 philips	2
126.198	Cover	1
126.257	Outlet insert CTMPF assy.	1
127.904	Front outlet set	1
127.907	Connection outlet powder/flavour set	1
129.359	Support outlet insert CTM-F set	1
132.290	BW4c CTM-RS locking latch	1
132.291	Locking latch P F	1
132.313	BW4c locking rod	1
132.600	Supporter plate with housing lock assy.	1

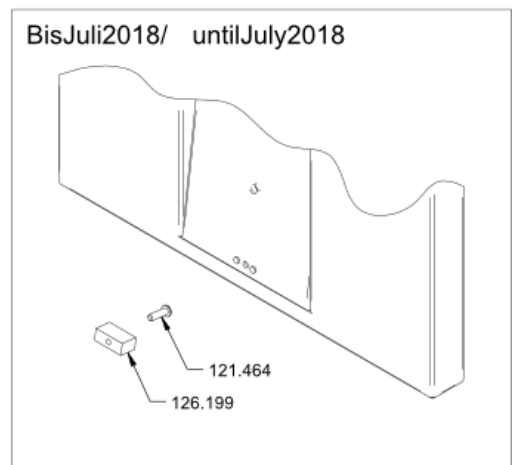
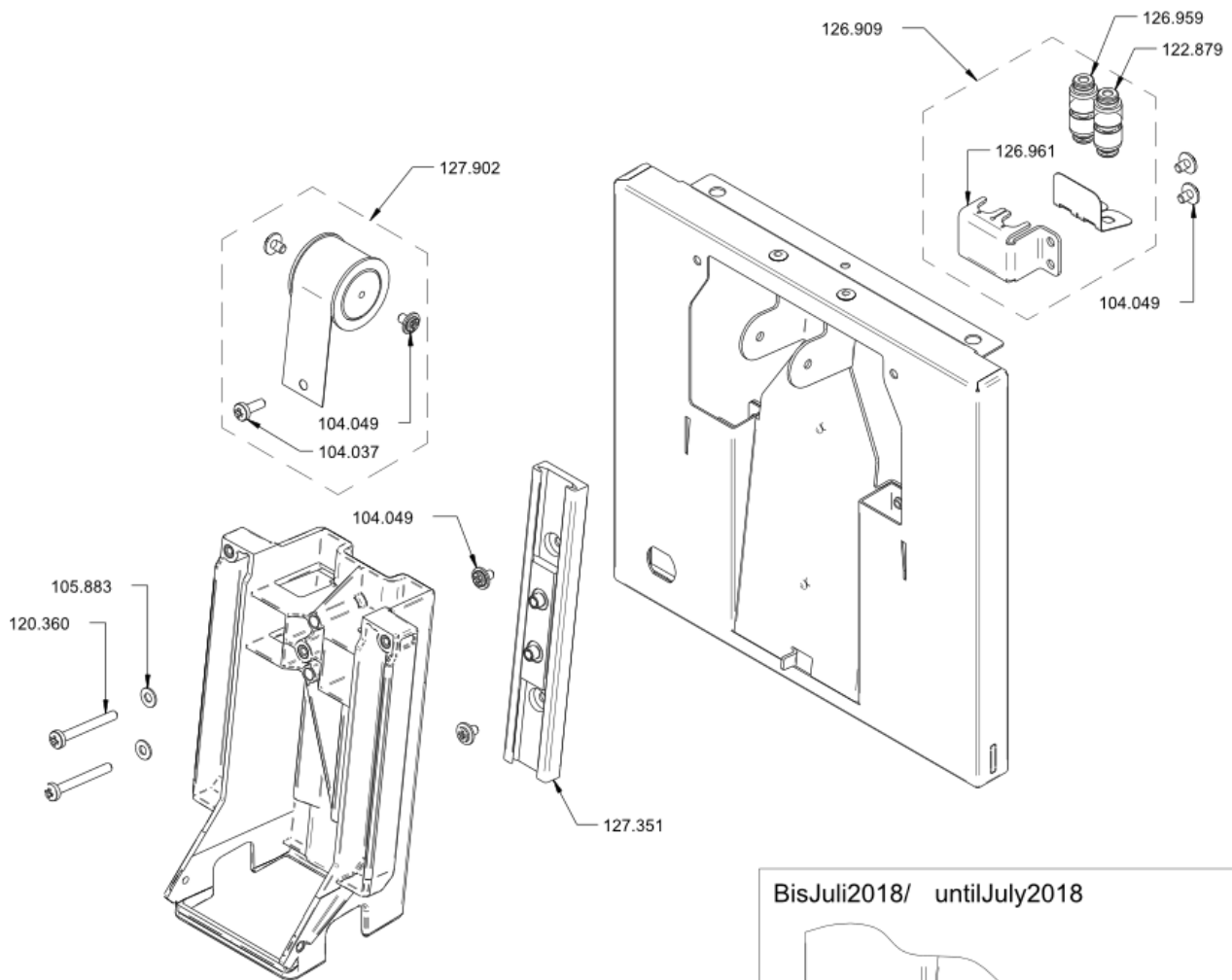
1.6.6 Outlet BW4c CTM-F-RS lock. assy.



1.6.6.1 Supporter plate with housing lock assy.

Article no.	Description	Quantity
104.037	Oval head screw Phillips M4x12	1
104.049	Oval head screw M4x6 Phillips	3
104.049	Oval head screw M4x6 Phillips	4
105.883	Flat washer M4	2
120.360	Oval head screw M4x35 Tuflok	2
121.464	PT screw KA30x10 philips	1
122.879	Straight connector 4-4	1
126.199	Block	1
126.909	Connector outlet milk tea	1
126.959	Straight connector 4-4	1
126.961	Clamping plate and spring plate	1
127.351	Linear guiding to discharge assy.	1
127.902	Spring to outlet assy.	1

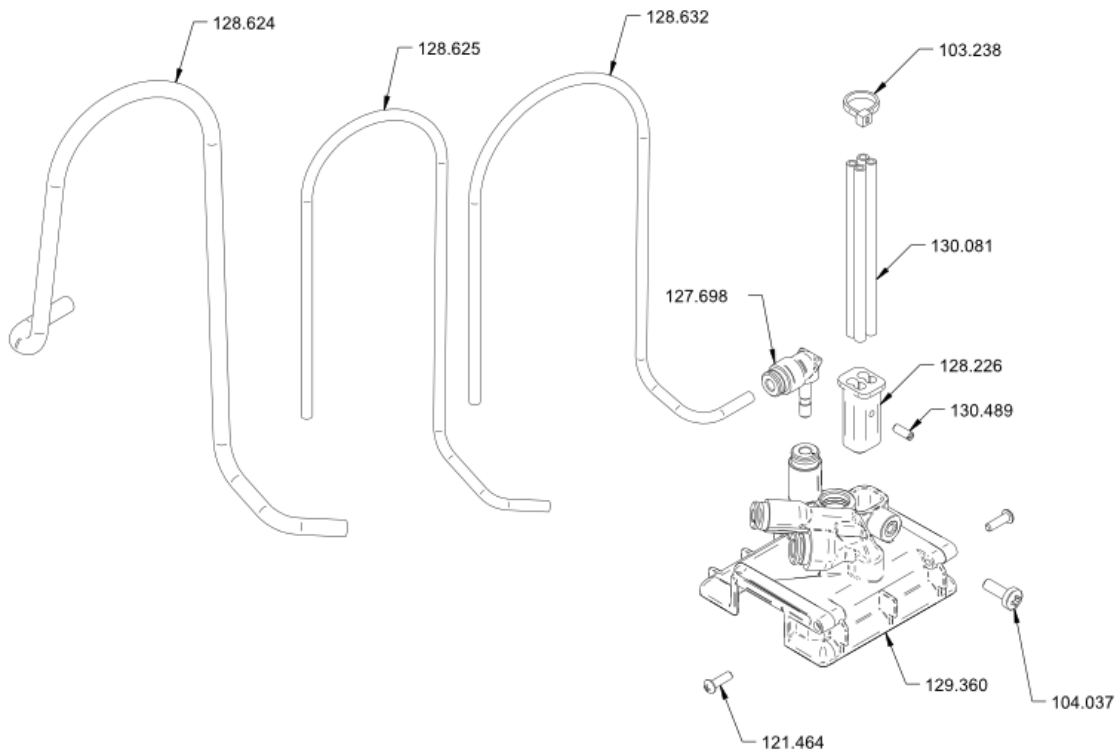
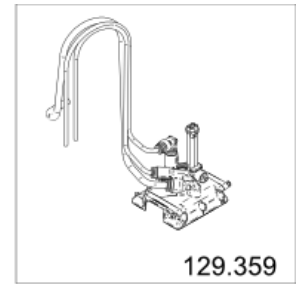
1.6.6.1 Supporter plate with housing lock assy.



1.6.6.2 Support outlet insert CTM-F set

Article no.	Description	Quantity
103.238	Cable tie 85/22	1
104.037	Oval head screw Phillips M4x12	1
121.464	PT screw KA30x10 philips	2
127.698	Elbow connector 4-4	1
128.226	Connection tubes flavour	1
128.624	FEP pipe $\varnothing 6/4$ x 380mm	1
128.625	FEP pipe $\varnothing 4/2$ x 350mm	1
128.632	FEP pipe $\varnothing 4/2$ x 315mm	1
129.360	Support outlet insert CTM-F assy.	1
130.081	FEP pipe $\varnothing 4/2.5$ x 550mm	4
130.489	Headless screw M3x8	1

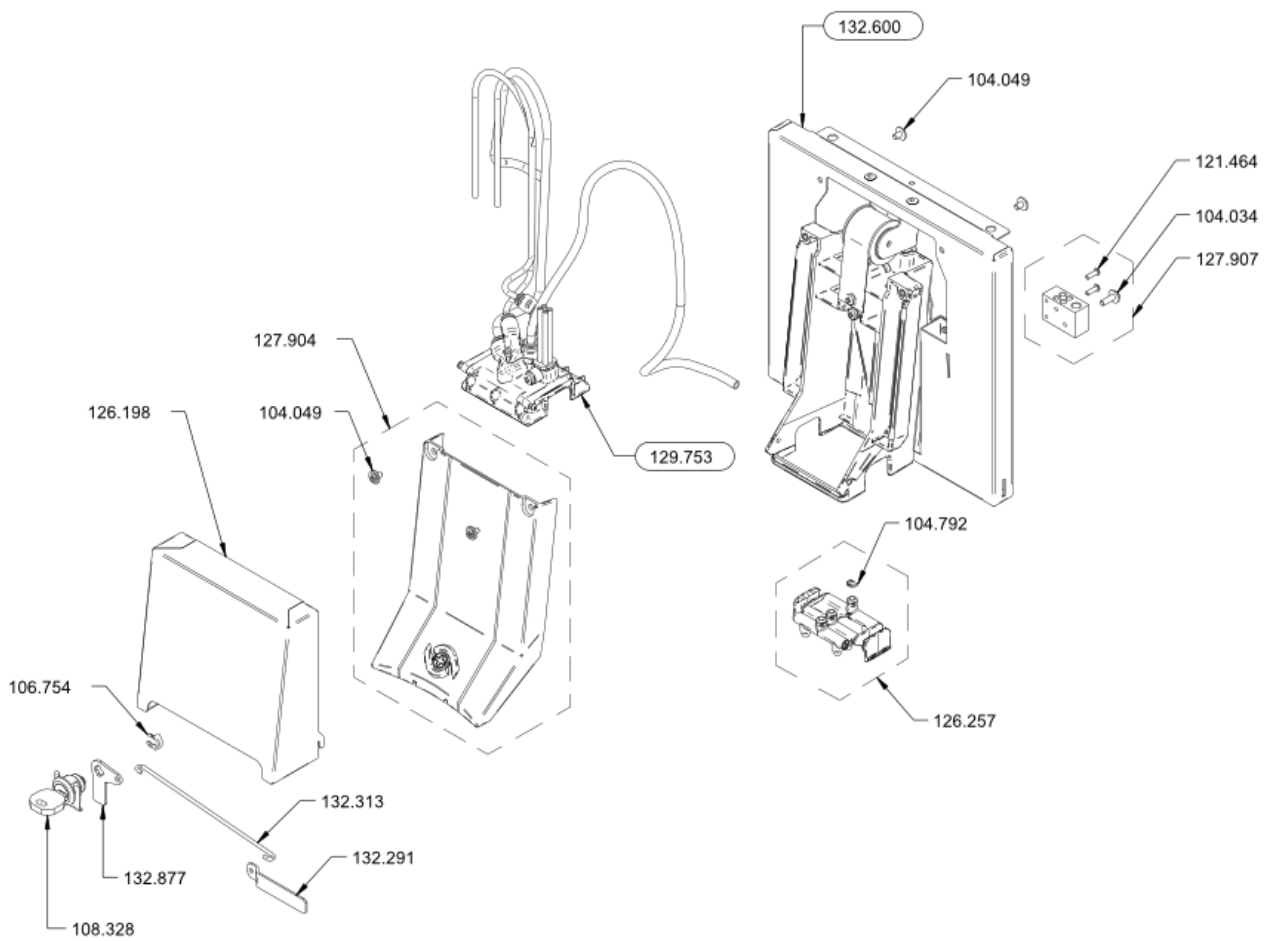
1.6.6.2 Support outlet insert CTM-F set



1.6.7 Outlet BW4c CTM-P-F lock assy.

Article no.	Description	Quantity
104.034	Oval head screw Phillips M4x12	2
104.049	Oval head screw M4x6 Phillips	2
104.049	Oval head screw M4x6 Phillips	2
104.792	O-Ring 5.00x1.50 FKM 75.5/VA75F	3
106.754	Washer STS ø8	1
108.328	Cylinder lock with key	1
121.464	PT screw KA30x10 philips	2
126.198	Cover	1
126.257	Outlet insert CTMPF assy.	1
127.904	Front outlet set	1
127.907	Connection outlet powder/flavour set	1
129.753	Support outlet insert CTM-P-F set	1
132.291	Locking latch P F	1
132.313	BW4c locking rod	1
132.600	Supporter plate with housing lock assy.	1
132.877	Bw4c CTM locking latch	1

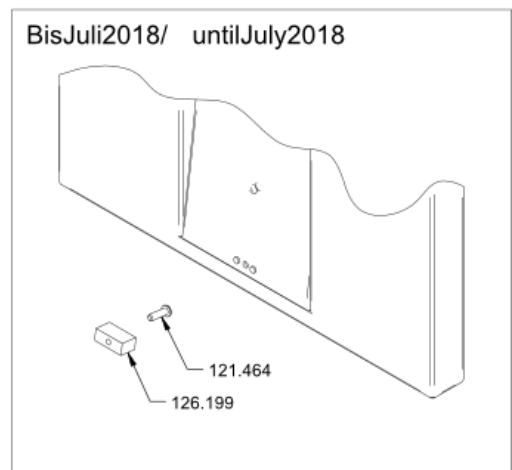
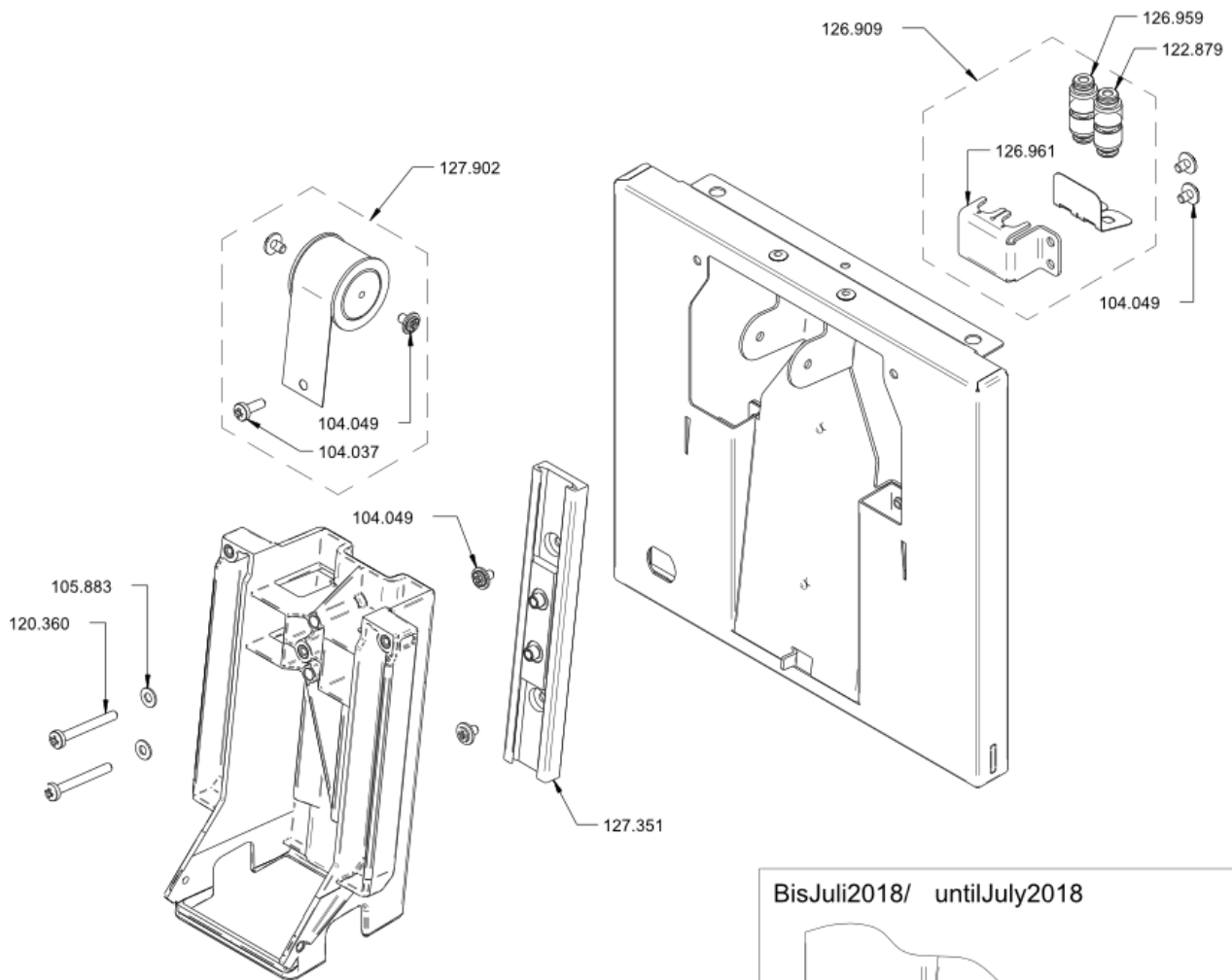
1.6.7 Outlet BW4c CTM-P-F lock assy.



1.6.7.1 Supporter plate with housing lock assy.

Article no.	Description	Quantity
104.037	Oval head screw Phillips M4x12	1
104.049	Oval head screw M4x6 Phillips	3
104.049	Oval head screw M4x6 Phillips	4
105.883	Flat washer M4	2
120.360	Oval head screw M4x35 Tuflok	2
121.464	PT screw KA30x10 philips	1
122.879	Straight connector 4-4	1
126.199	Block	1
126.909	Connector outlet milk tea	1
126.959	Straight connector 4-4	1
126.961	Clamping plate and spring plate	1
127.351	Linear guiding to discharge assy.	1
127.902	Spring to outlet assy.	1

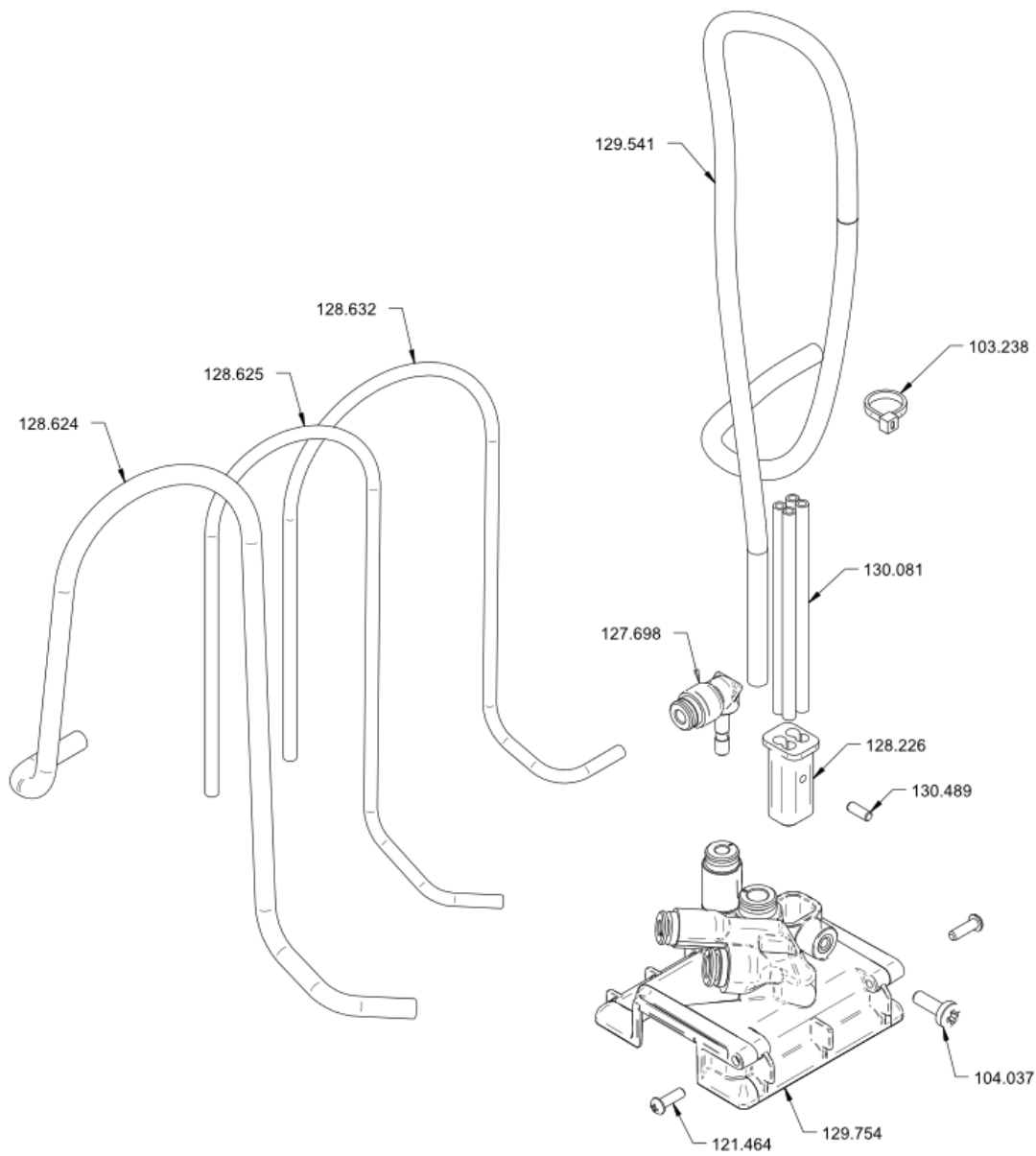
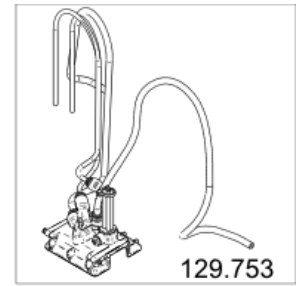
1.6.7.1 Supporter plate with housing lock assy.



1.6.7.2 Support outlet insert CTM-P-F set

Article no.	Description	Quantity
103.238	Cable tie 85/22	1
104.037	Oval head screw Phillips M4x12	1
121.464	PT screw KA30x10 philips	2
127.698	Elbow connector 4-4	1
128.226	Connection tubes flavour	1
128.624	FEP pipe $\varnothing 6/4$ x 380mm	1
128.625	FEP pipe $\varnothing 4/2$ x 350mm	1
128.632	FEP pipe $\varnothing 4/2$ x 315mm	1
129.541	FEP pipe $\varnothing 6/4$ x 515mm	1
129.754	Support outlet insert CTM-P-F assy.	1
130.081	FEP pipe $\varnothing 4/2.5$ x 550mm	4
130.489	Headless screw M3x8	1

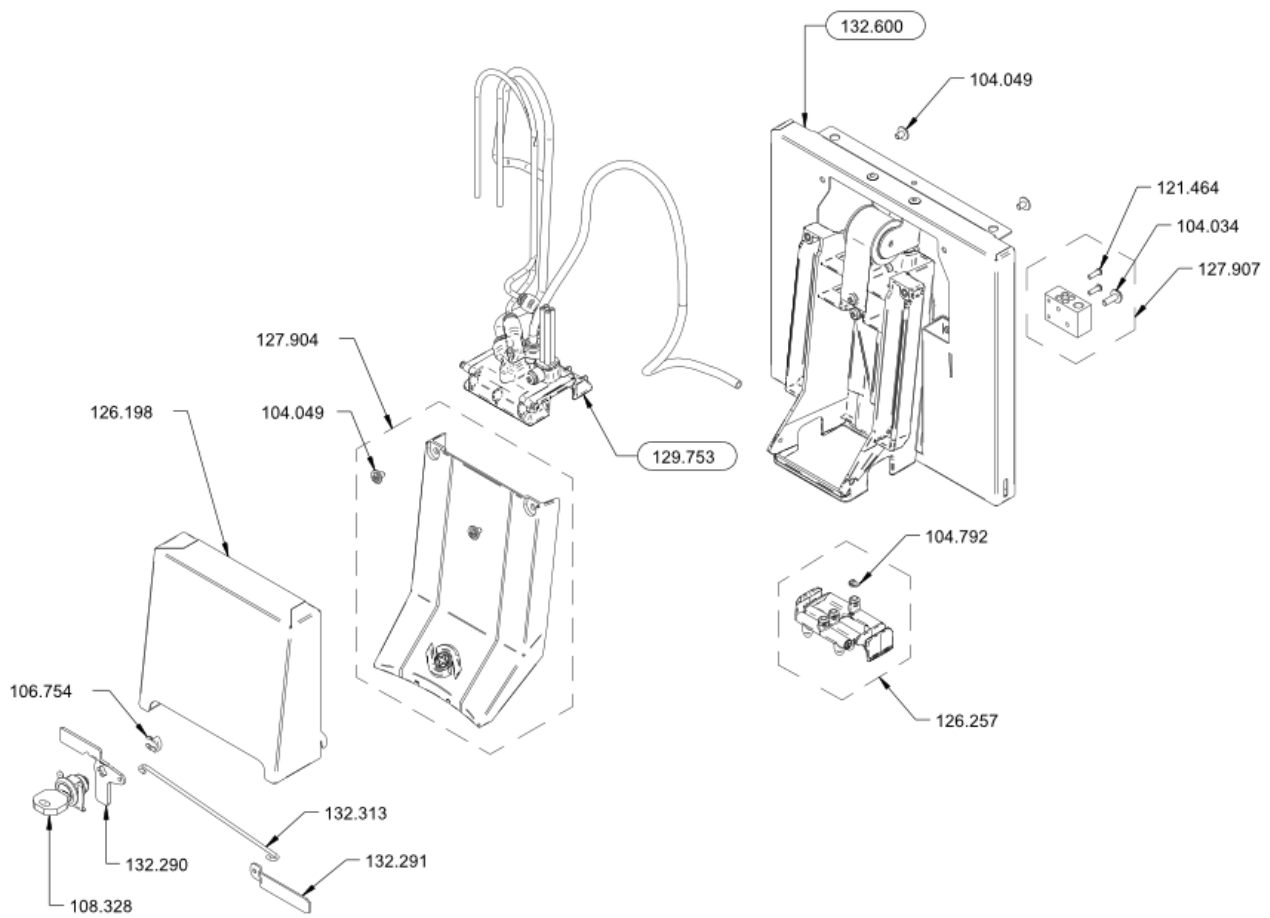
1.6.7.2 Support outlet insert CTM-P-F set



1.6.8 Outlet BW4c CTM-P-F-RS lock. assy.

Article no.	Description	Quantity
104.034	Oval head screw Phillips M4x12	2
104.049	Oval head screw M4x6 Phillips	2
104.049	Oval head screw M4x6 Phillips	2
104.792	O-Ring 5.00x1.50 FKM 75.5/VA75F	3
106.754	Washer STS ø8	1
108.328	Cylinder lock with key	1
121.464	PT screw KA30x10 philips	2
126.198	Cover	1
126.257	Outlet insert CTMPF assy.	1
127.904	Front outlet set	1
127.907	Connection outlet powder/flavour set	1
129.753	Support outlet insert CTM-P-F set	1
132.290	BW4c CTM-RS locking latch	1
132.291	Locking latch P F	1
132.313	BW4c locking rod	1
132.600	Supporter plate with housing lock assy.	1

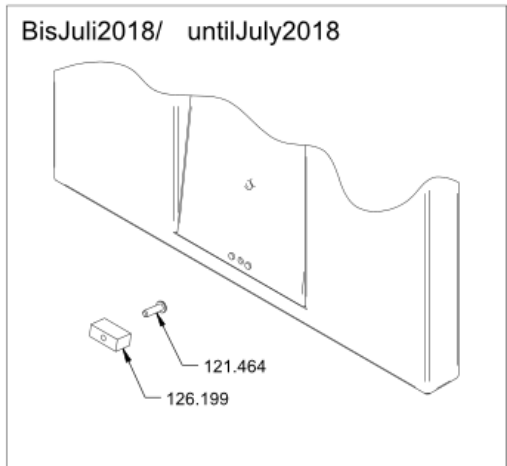
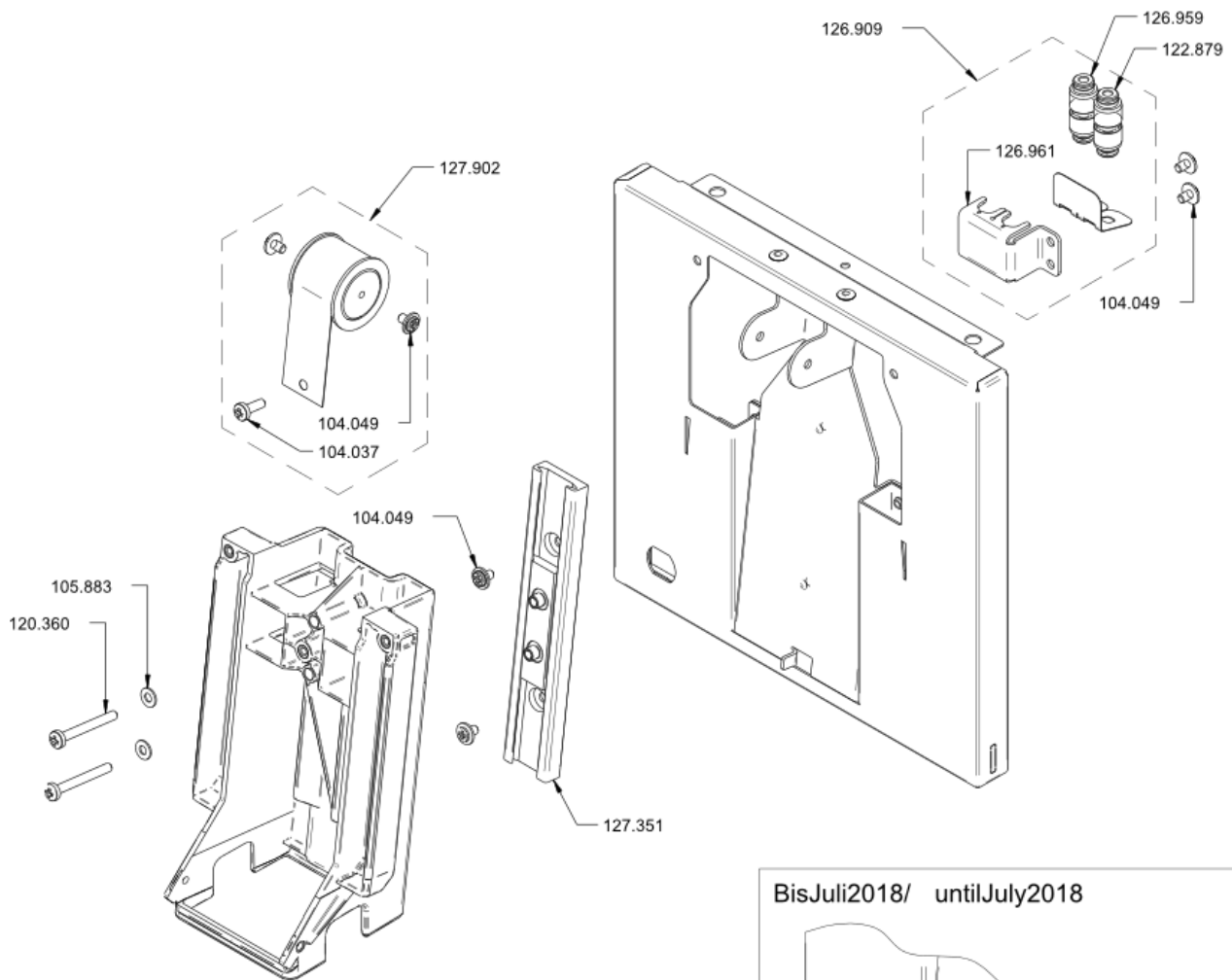
1.6.8 Outlet BW4c CTM-P-F-RS lock. assy.



1.6.8.1 Supporter plate with housing lock assy.

Article no.	Description	Quantity
104.037	Oval head screw Phillips M4x12	1
104.049	Oval head screw M4x6 Phillips	3
104.049	Oval head screw M4x6 Phillips	4
105.883	Flat washer M4	2
120.360	Oval head screw M4x35 Tuflok	2
121.464	PT screw KA30x10 philips	1
122.879	Straight connector 4-4	1
126.199	Block	1
126.909	Connector outlet milk tea	1
126.959	Straight connector 4-4	1
126.961	Clamping plate and spring plate	1
127.351	Linear guiding to discharge assy.	1
127.902	Spring to outlet assy.	1

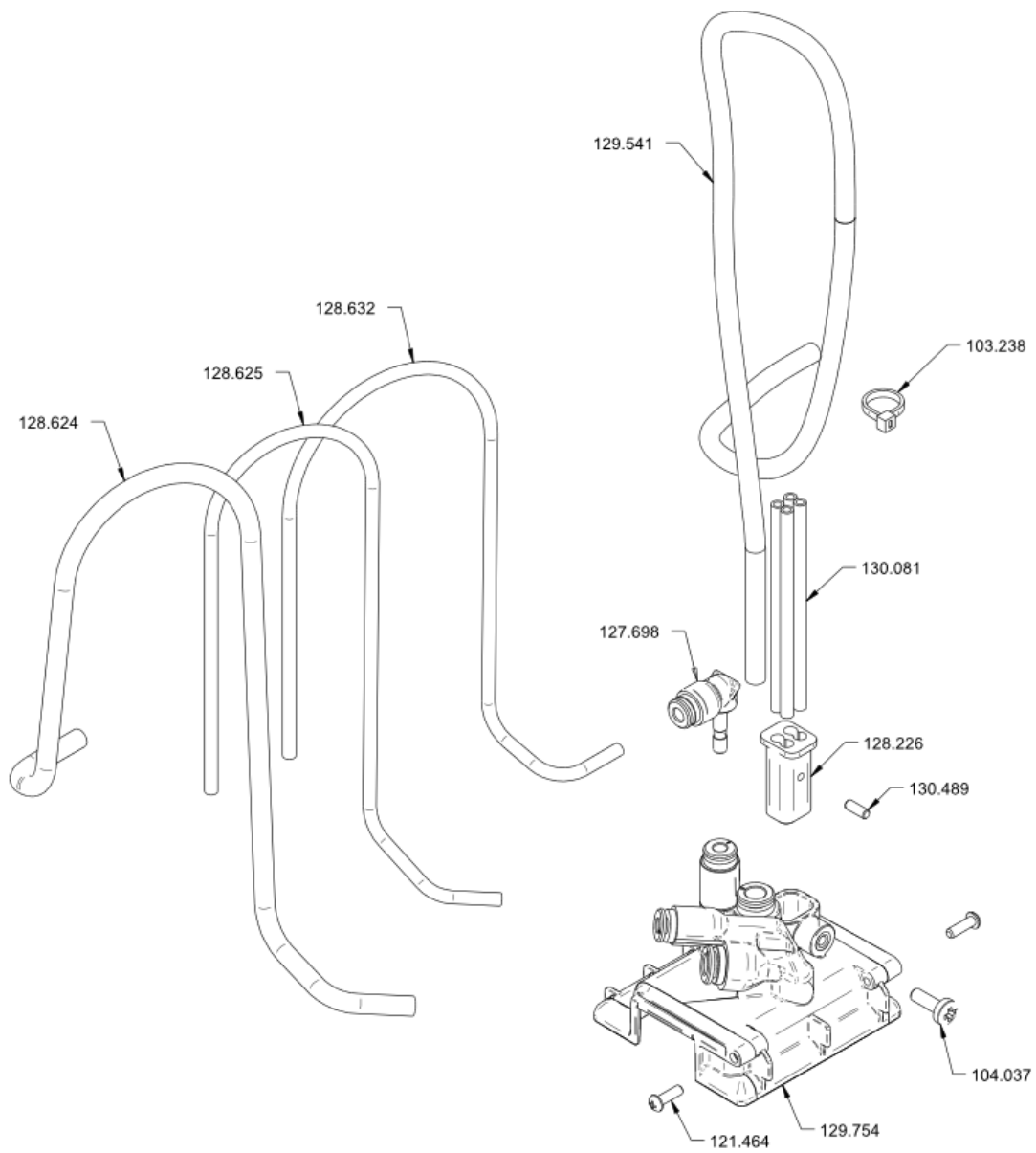
1.6.8.1 Supporter plate with housing lock assy.



1.6.8.2 Support outlet insert CTM-P-F set

Article no.	Description	Quantity
103.238	Cable tie 85/22	1
104.037	Oval head screw Phillips M4x12	1
121.464	PT screw KA30x10 philips	2
127.698	Elbow connector 4-4	1
128.226	Connection tubes flavour	1
128.624	FEP pipe $\varnothing 6/4$ x 380mm	1
128.625	FEP pipe $\varnothing 4/2$ x 350mm	1
128.632	FEP pipe $\varnothing 4/2$ x 315mm	1
129.541	FEP pipe $\varnothing 6/4$ x 515mm	1
129.754	Support outlet insert CTM-P-F assy.	1
130.081	FEP pipe $\varnothing 4/2.5$ x 550mm	4
130.489	Headless screw M3x8	1

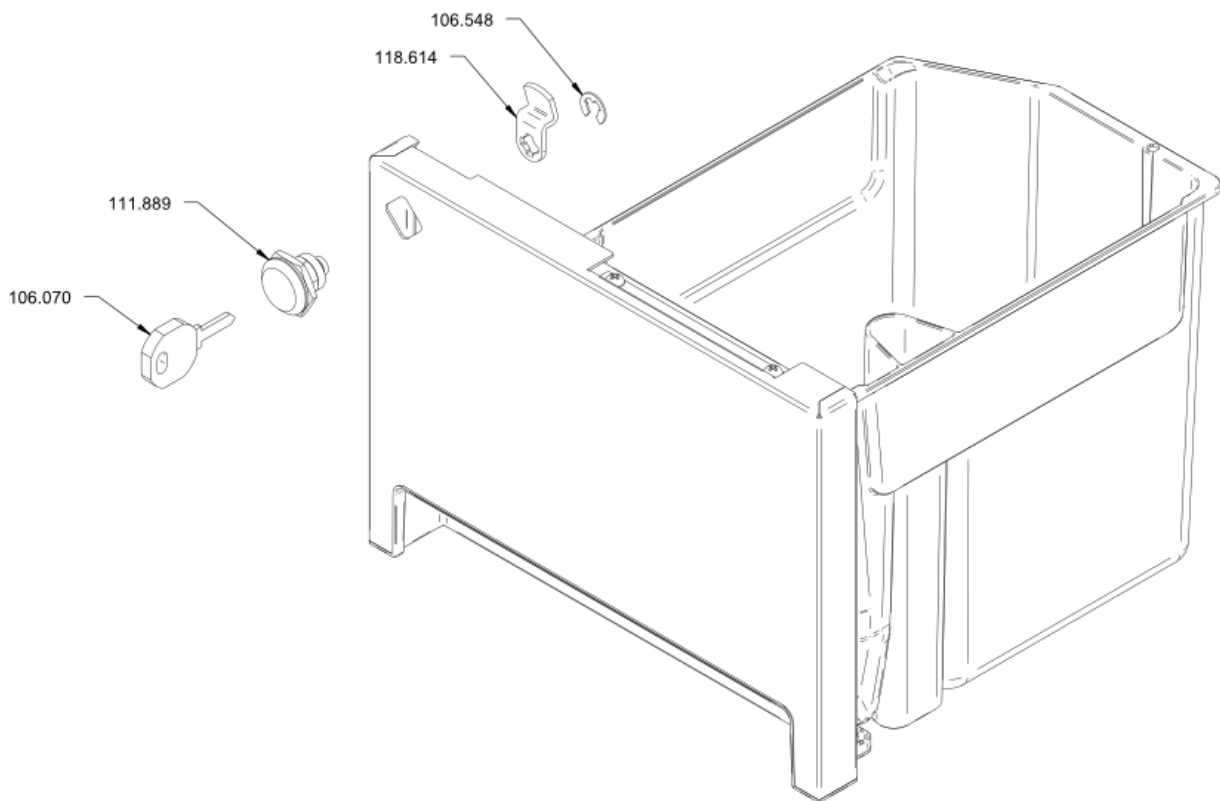
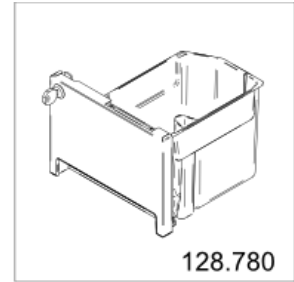
1.6.8.2 Support outlet insert CTM-P-F set



1.7 Ground drawer BW4c assy. lockable

Article no.	Description	Quantity
106.070	Key (2 pcs.)	1
106.548	Circlip for shaft ø6	1
111.889	Cylinder Lock Emka Polyamid	1
118.614	Belt tonge grounds drawer	1

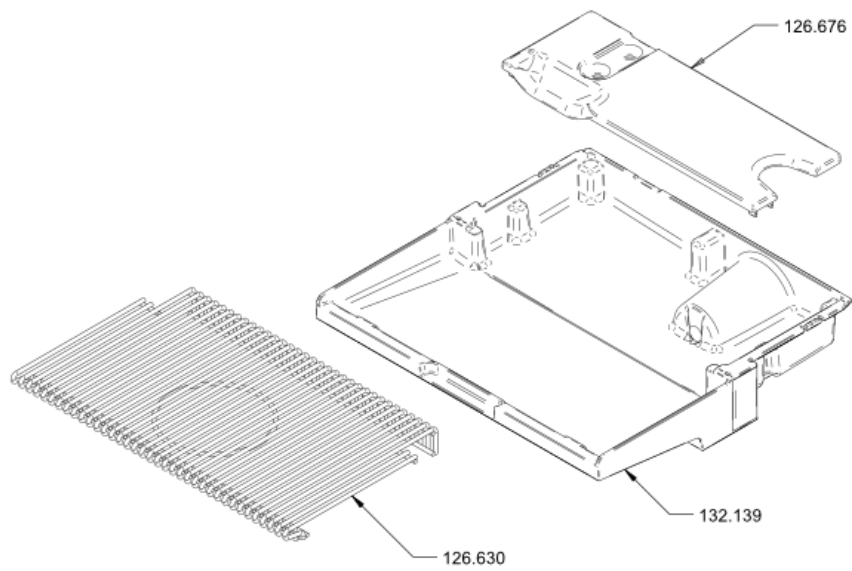
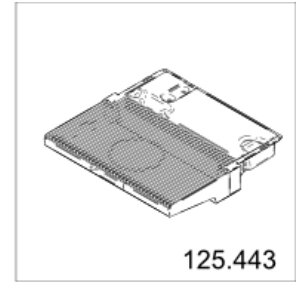
1.7 Ground drawer BW4c assy. lockable



1.8 Drip tray 228 assy.

Article no.	Description	Quantity
126.630	Drip tray grill 228	1
126.676	Cover to drip tray 228	1
132.139	Drip tray 228 with decoration	1

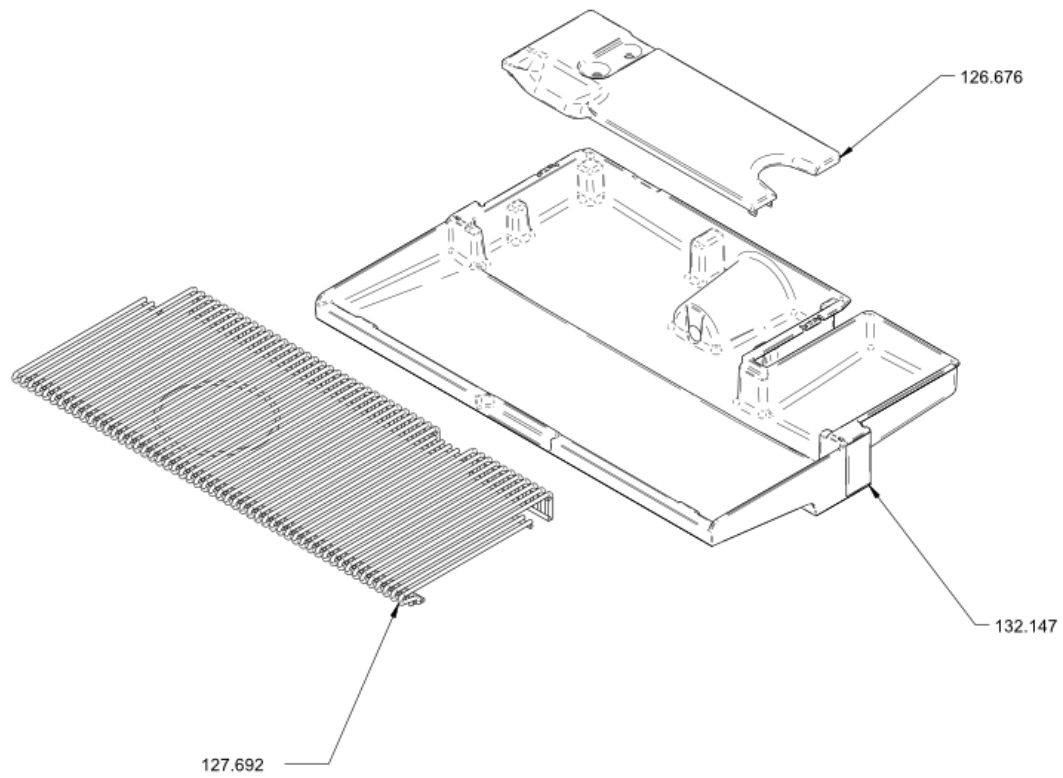
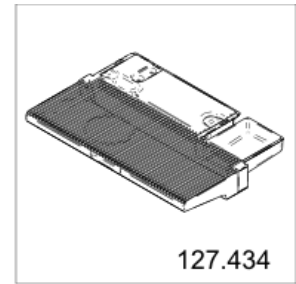
1.8 Drip tray 228 assy.



1.9 Drip tray 320 assy.

Article no.	Description	Quantity
126.676	Cover to drip tray 228	1
127.692	Drip tray grill 320	1
132.147	Drip Tray 320 with decoration	1

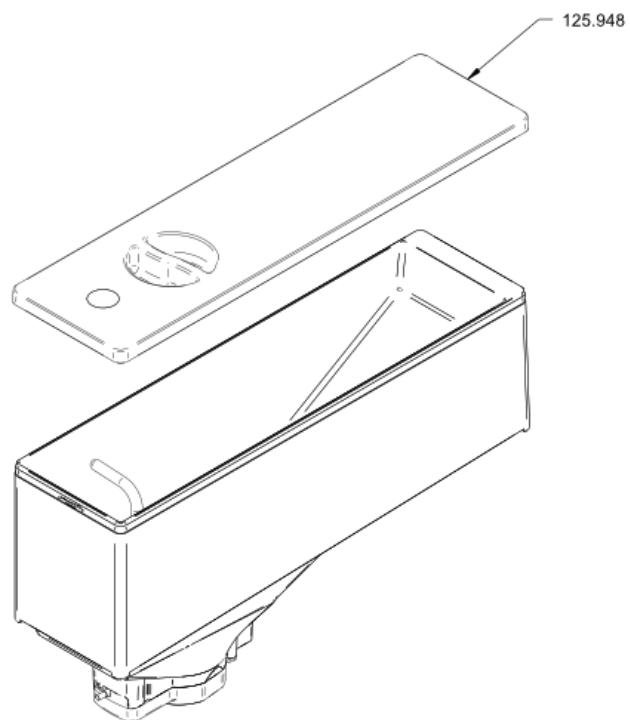
1.9 Drip tray 320 assy.



1.10 Beanhopper set

Article no.	Description	Quantity
125.948	Bean hopperlid small	1

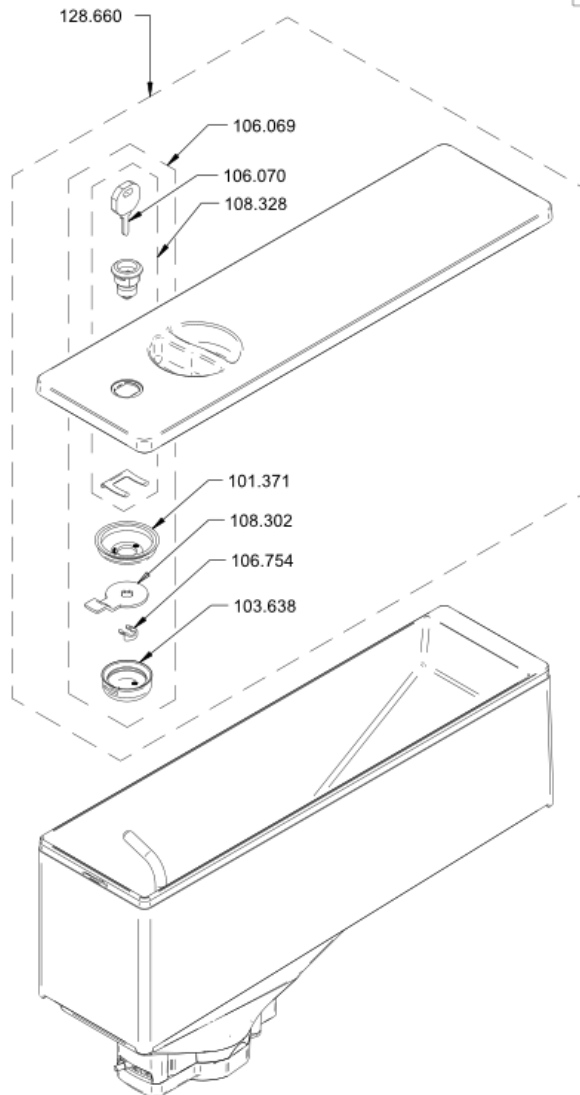
1.10 Beanhopper set



1.11 Beanhopper lock set

Article no.	Description	Quantity
101.371	Cap bean hopper lock	1
103.638	Cap bean hopper lock	1
106.069	Lock, assembly	1
106.070	Key (2 pcs.)	1
106.754	Washer STS ø8	1
108.302	Lock lug bean hopper	1
108.328	Cylinder lock with key	1
128.660	Bean hopperlid small lock assy.	1

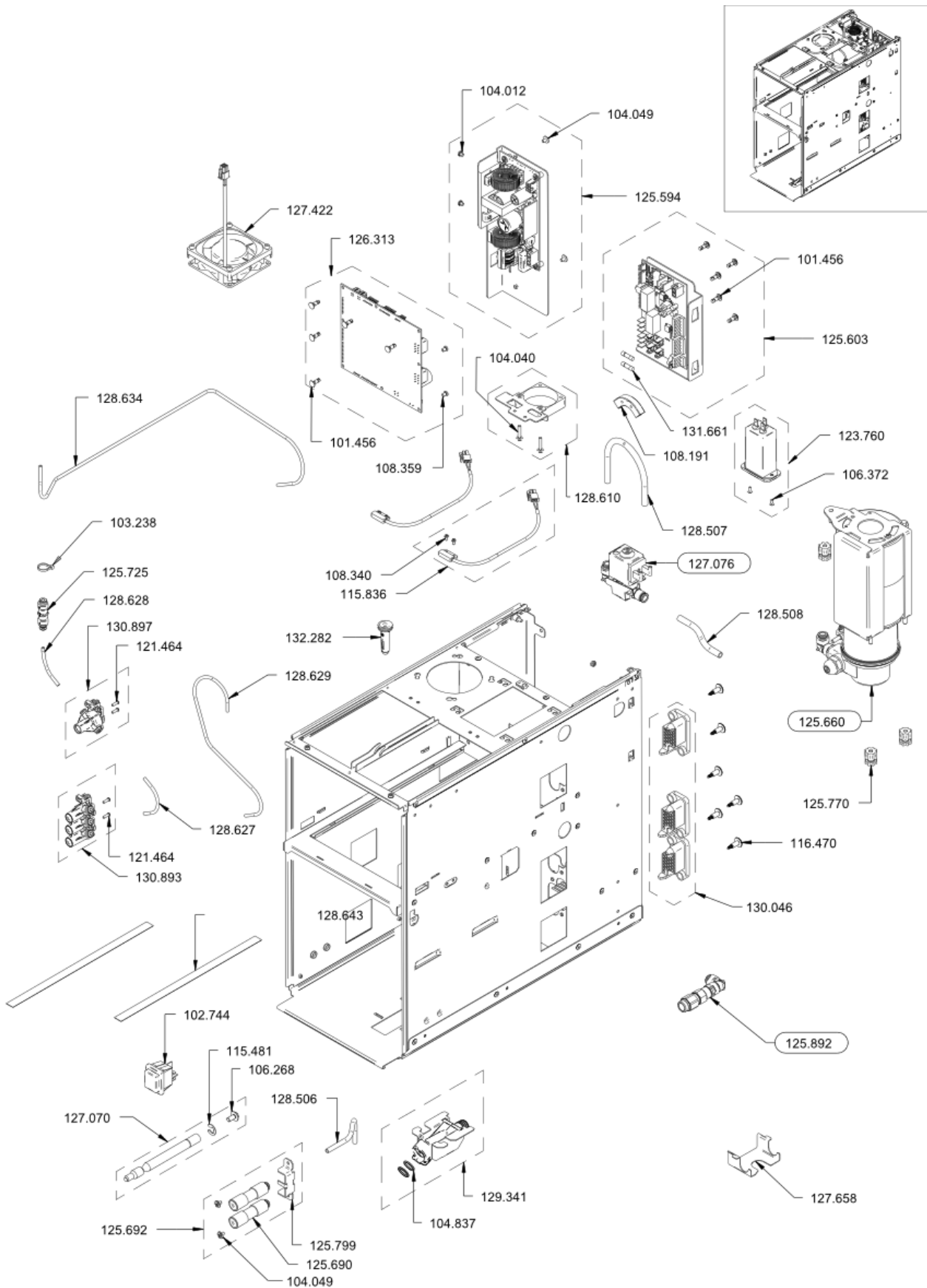
1.11 Beanhopper lock set



1.12 Chassis BW4c CTM assy.

Article no.	Description	Quantity
101.456	Deck support piece ø5.5x8mm	8
101.456	Deck support piece ø5.5x8mm	5
102.744	Main power switch	1
103.238	Cable tie 85/22	1
104.012	Oval head Phillips combi screw M3x5	2
104.040	Oval head screw Phillips M4x20	2
104.049	Oval head screw M4x6 Phillips	6
104.049	Oval head screw M4x6 Phillips	2
104.837	O-Ring 14.00x1.78 FKM	2
106.268	Hexagonal head screw eco-fix M6x12	1
106.372	Countersunk screw M3x8 phillips	2
108.191	Angle protection to steam pipe	1
108.340	Socket head screw M3x6 Phillips	2
108.359	Socket flat head screw M4x6	3
115.481	Circlip for shaft ø8	1
115.836	Reed switch with screws	2
116.470	SHEETracs screw Torx 40x20/8	6
121.464	PT screw KA30x10 philips	2
121.464	PT screw KA30x10 philips	2
123.760	Inlet filter with connector C20 set	1
125.594	Switching power supply assy.	1
125.603	Powerboard BW4c assy.	1
125.660	Waterpump with motor assy.	1
125.690	Female connector with check valve ø6	2
125.692	Female connectors milk/water assy.	1
125.725	Check valve ø4	1
125.770	Damper	3
125.799	Bracket	1
125.892	Water supply assy.	1
126.313	Component control board BW4c assy.	1
127.070	Rod module fastening assy.	1
127.076	Solenoid valve 2/2, ø2.4, 12W set	1
127.422	Axial fan set	1
127.658	Support waterinlet	1
128.506	FEP pipe ø6/4 x 140mm	1
128.507	FEP pipe ø8/6 x 200mm	1
128.508	FEP pipe ø8/6 x 80mm	1
128.610	Extra fan set	1
128.627	FEP pipe ø4/2 x 90mm	1
128.628	FEP pipe ø4/2 x 75mm	1
128.629	FEP pipe ø4/2 x 330mm	1
128.634	FEP pipe ø4/2 x 660mm	1
128.643	Slide tape 13 x 270mm	2
129.341	Drain connection assy.	1
130.046	Wiring harness BW4c CTM RS chassis	1
130.893	Hydr. female conn. triple assy.	1
130.897	Hydr. female conn. single (2IN) assy.	1
131.661	Fuse 250VAC, F 6.3A (ø5x20)	1
132.282	Drain fitting	1

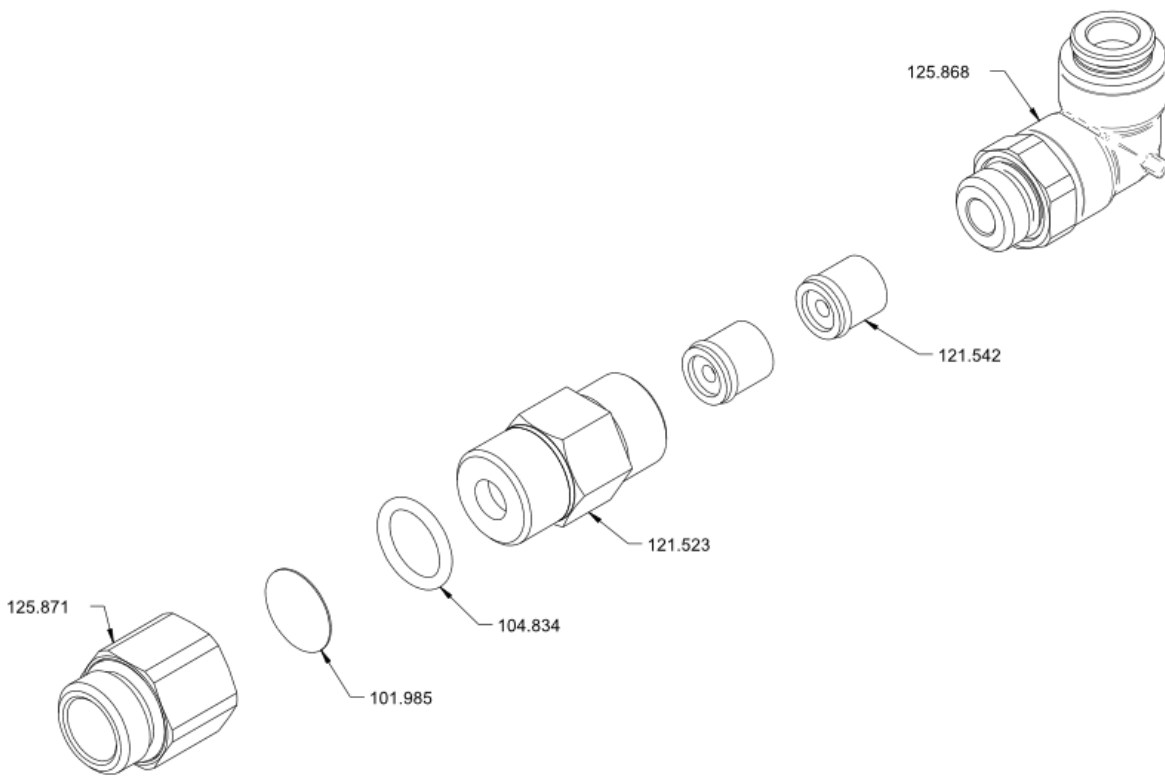
1.12 Chassis BW4c CTM assy.



1.12.1 Water supply assy.

Article no.	Description	Quantity
101.985	Filter water 3/8"	1
104.834	O-Ring 12.00x2.00 NBR 70.5/P5F	1
121.523	Reducer fitting 3/8x1/4 with back stop	1
121.542	RV-Patrone DW10	2
125.868	Elbow connector 8-1/4	1
125.871	Reduction nipple 3/8-3/8	1

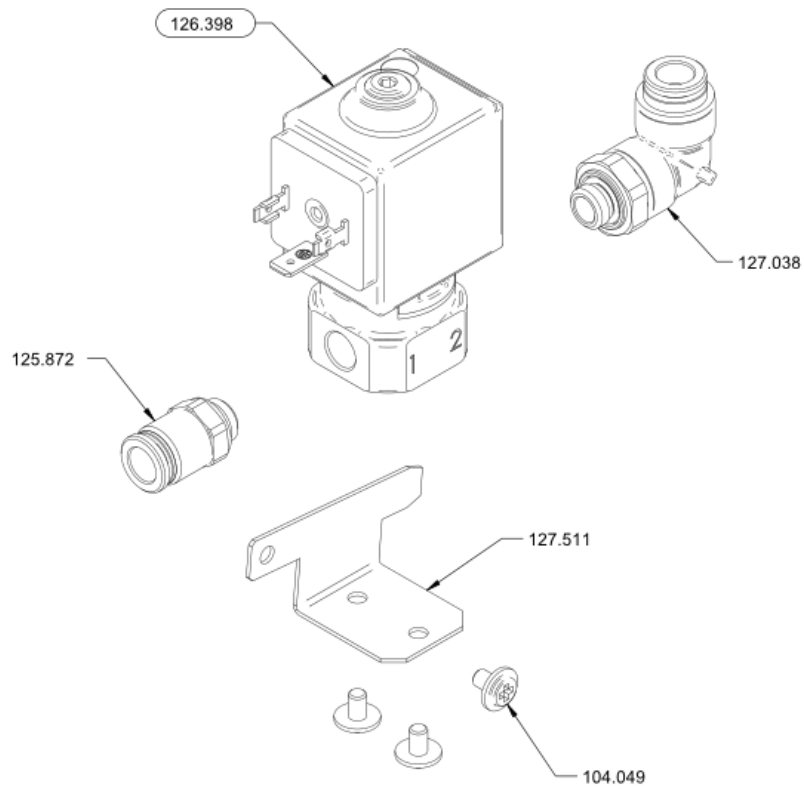
1.12.1 Water supply assy.



1.12.2 Solenoid valve 2/2, ø2.4, 12W set

Article no.	Description	Quantity
104.049	Oval head screw M4x6 Phillips	3
125.872	Straight connector 8-1/8	1
126.398	Solenoid valve, 2/2, ø2.4, 12W, UL assy.	1
127.038	Elbow connector 8-1/8	1
127.511	Support water inlet valve	1

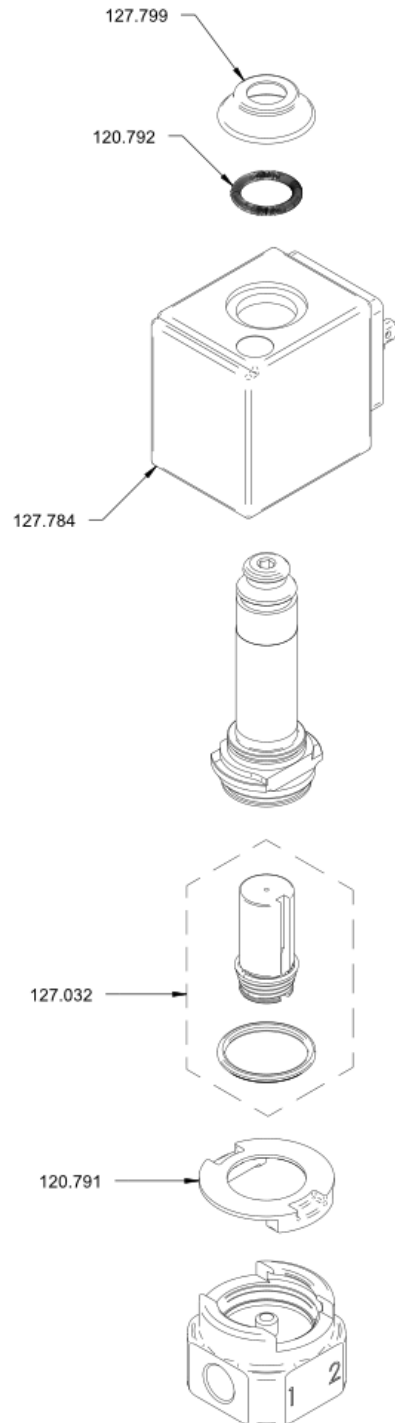
1.12.2 Solenoid valve 2/2, ø2.4, 12W set



1.12.2.1 Solenoid valve, 2/2, ø2.4, 12W, UL assy.

Article no.	Description	Quantity
120.791	Anti-twist plate Valve	1
120.792	Spring circlip	1
127.032	Plunger 2/2, ø2.4 set	1
127.784	Solenoid BBD2B UL	1
127.799	Protection cap	1

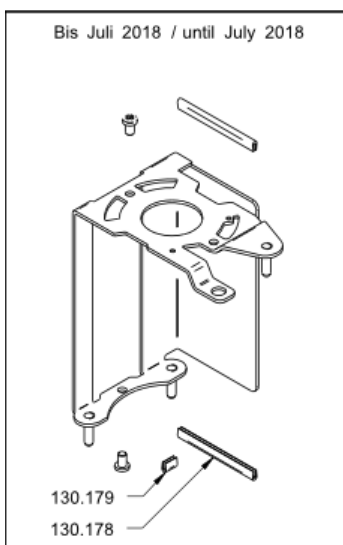
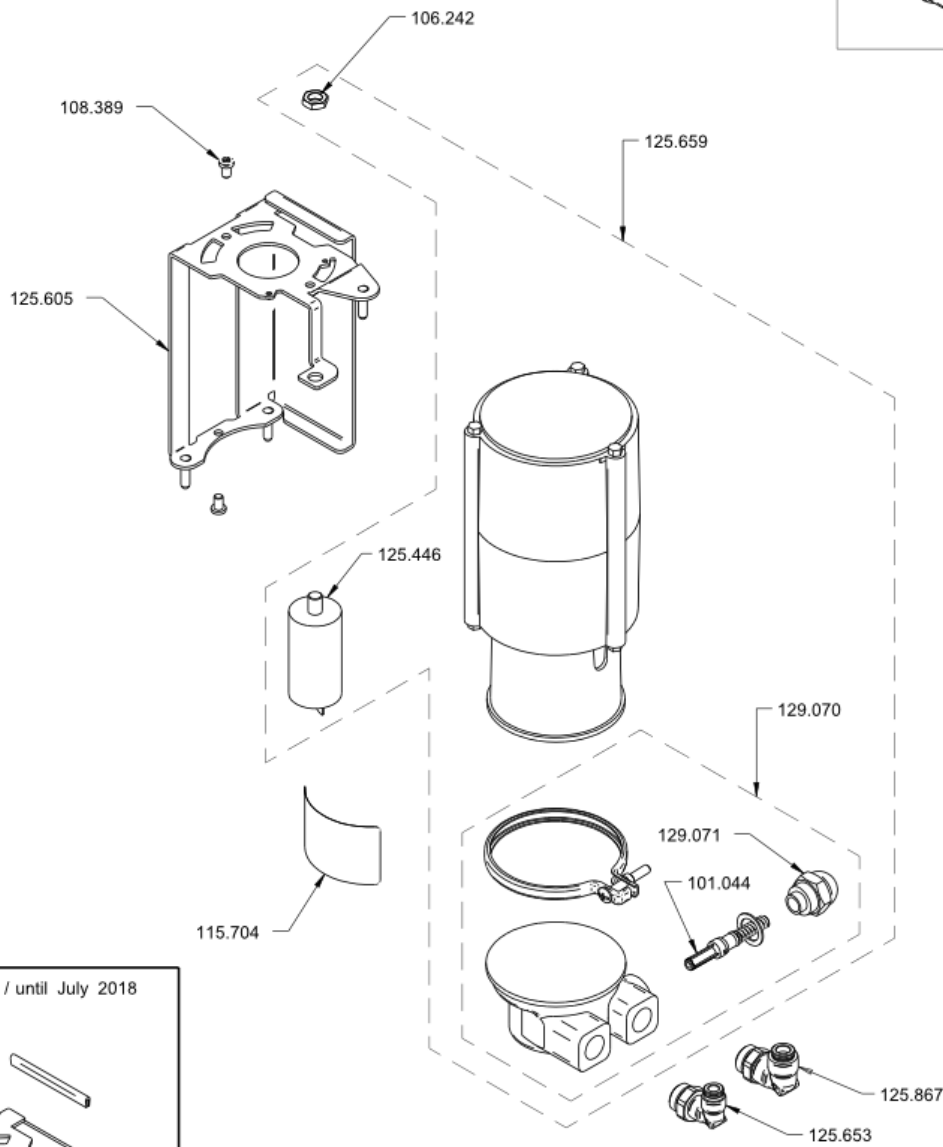
1.12.2.1 Solenoid valve, 2/2, ø2.4, 12W, UL assy.



1.12.3 Waterpump with motor assy.

Article no.	Description	Quantity
101.044	Bypass kit for water pump	1
106.242	Hexagonal nut M8	1
108.389	Socket head screw M5x8 Phillips	2
115.704	Sticker "DO NOT ADJUST HIGHER 9 BAR"	1
125.446	Condenser 4 μ F	1
125.605	Support motor for vane pump	1
125.653	Elbow connector 6-3/8	1
125.659	Motor with water pump assy.	1
125.867	Elbow connector 8-3/8	1
129.070	Waterpump inox with fixation clamp + bypass short	1
129.071	Housing bypass short assy.	1
130.178	Edge protection profile 60mm	1
130.179	Edge protection profile 9mm	1

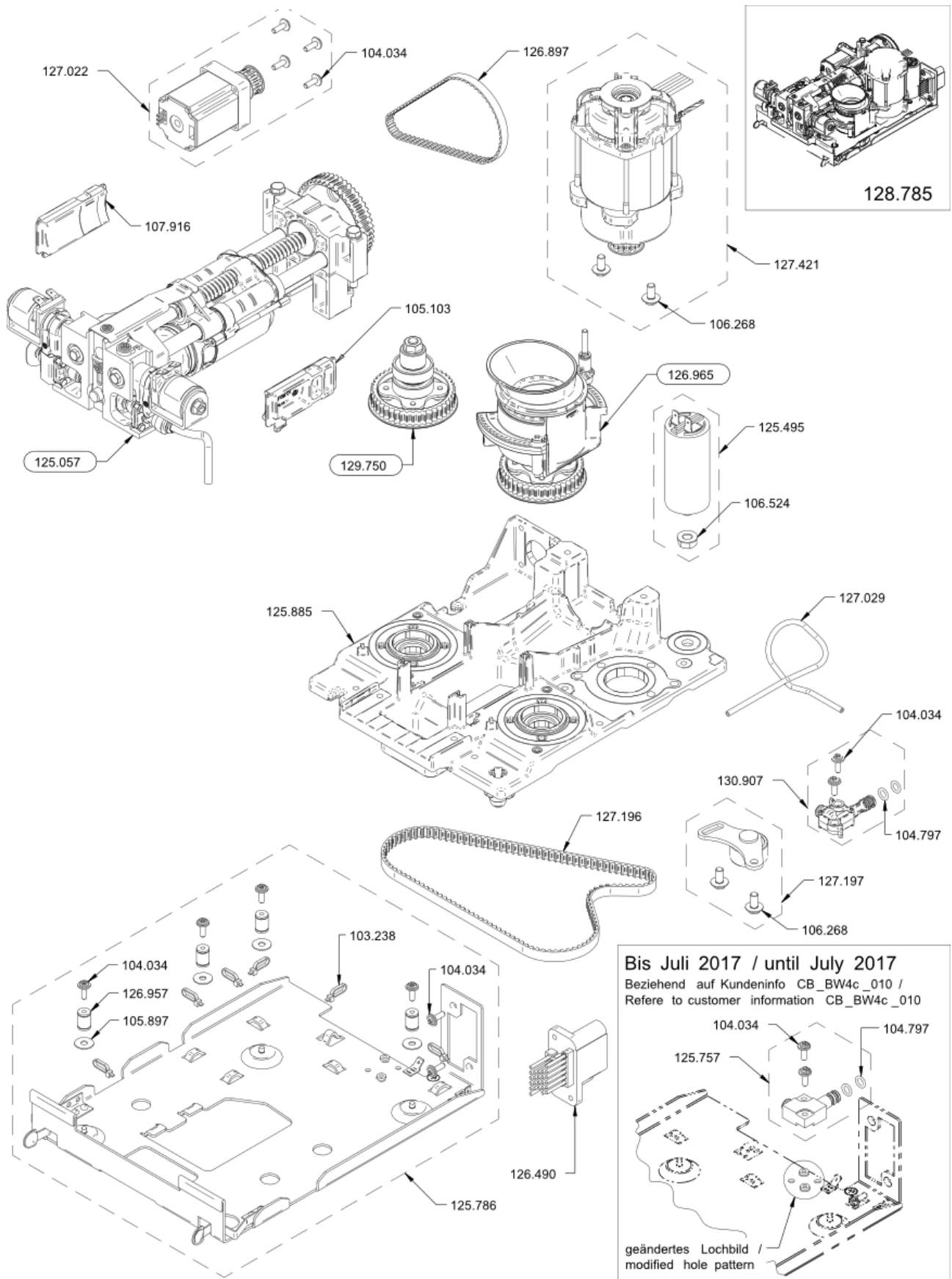
1.12.3 Waterpump with motor assy.



1.13 Mechanical module BW4c M1

Article no.	Description	Quantity
103.238	Cable tie 85/22	6
104.034	Oval head screw Phillips M4x12	2
104.034	Oval head screw Phillips M4x12	4
104.034	Oval head screw Phillips M4x12	6
104.034	Oval head screw Phillips M4x12	2
104.797	O-Ring 6.75x1.78 FKM	2
104.797	O-Ring 6.75x1.78 FKM	2
105.103	Powder diffuser right grinder	1
105.897	Flat washer M5	4
106.268	Hexagonal head screw eco-fix M6x12	2
106.524	Lock nut M8 Serpress	1
107.916	Cap for powder channel	1
125.057	Brew unit assy. BW4c	1
125.495	Capacitor 450/12µF with nut	1
125.757	Water inlet to mech. module set	1
125.786	Cover mechanical base assy.	1
125.885	Mechanical base-plastic	1
126.490	Wiring harness BW4c mechanic module	1
126.897	Toothed belt 340-7-T5	1
126.957	Cylindrical buffer C-ø10x15-M4-NR 55Shore	4
126.965	Right grinder ø54, assy.	1
127.022	Motor to brew chamber assy.	1
127.029	FEP pipe ø4/2 x 300mm	1
127.196	Toothed belt 600-5M-9	1
127.197	Belt tensioning roller assy.	1
127.421	Grindermotor assy.	1
129.750	BW4c deflection roller ø54 assy.	1
130.907	Water inlet to mechanical module set	1

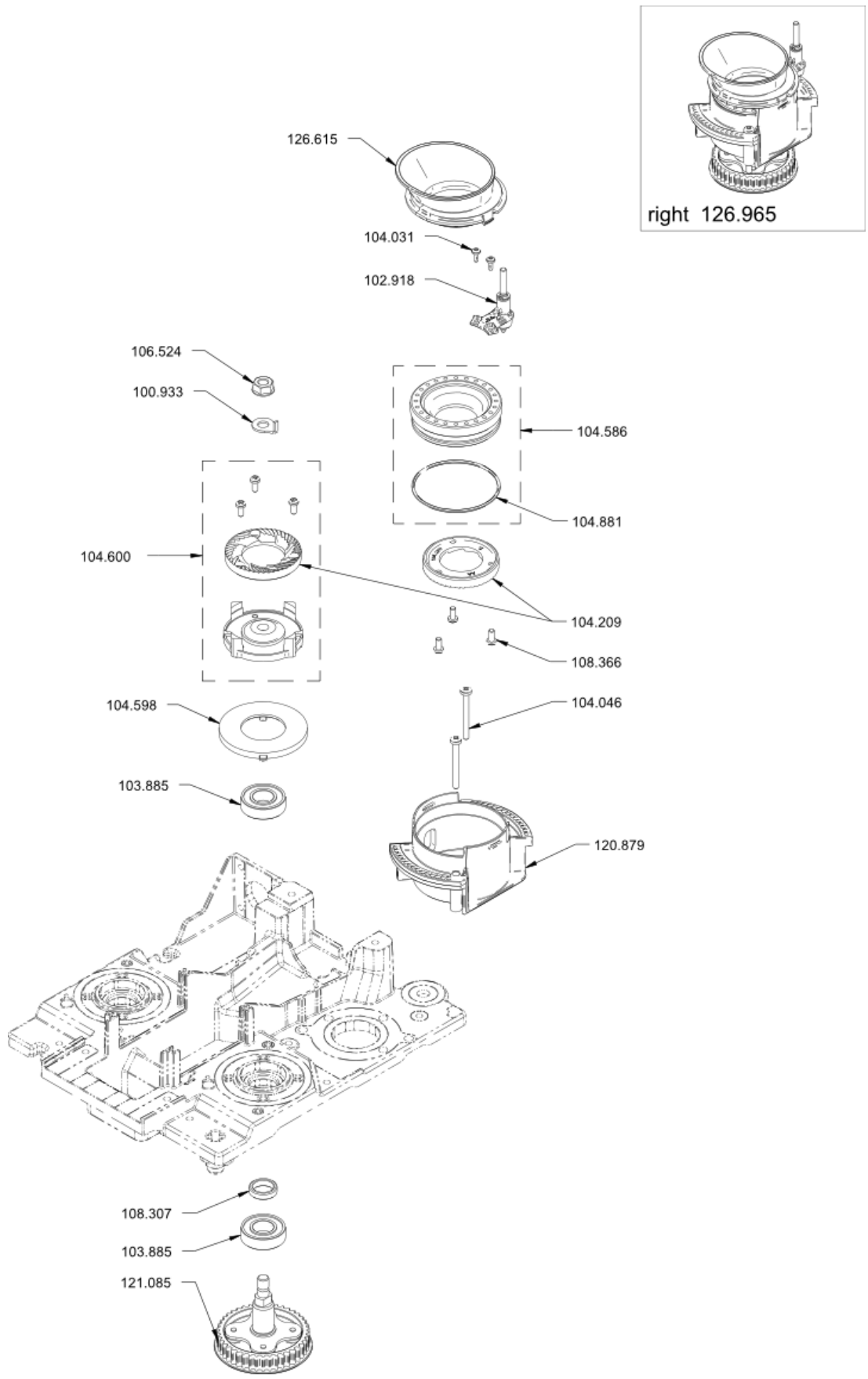
1.13 Mechanical module BW4c M1



1.13.1 Right grinder ø54, assy.

Article no.	Description	Quantity
100.933	Agitator ø54 grinder	1
102.918	Mill ø54 adjustment, assembly	1
103.885	Ball bearing 6002	2
104.031	Oval head thread forming screw Phi. M3x8	2
104.046	Screw M04x40 form H	2
104.209	Grinder disc (pair) ø54 right	0.5
104.586	Mill upper support ø54, assy.	1
104.598	Partition ring grinder	1
104.600	Lower grinding disc ø54 right, assy.	1
104.881	O-Ring 59.00x2.00 NBR 70.5/P5F	1
106.524	Lock nut M8 Serpress	1
108.307	Distance bushing mill ø54	1
108.366	Socket head screw M4x9 Tuflok	3
120.879	Grinder body ø54	1
121.085	Grinder shaft + belt pulley 42Z assy.	1
126.615	Guide funnel mill	1

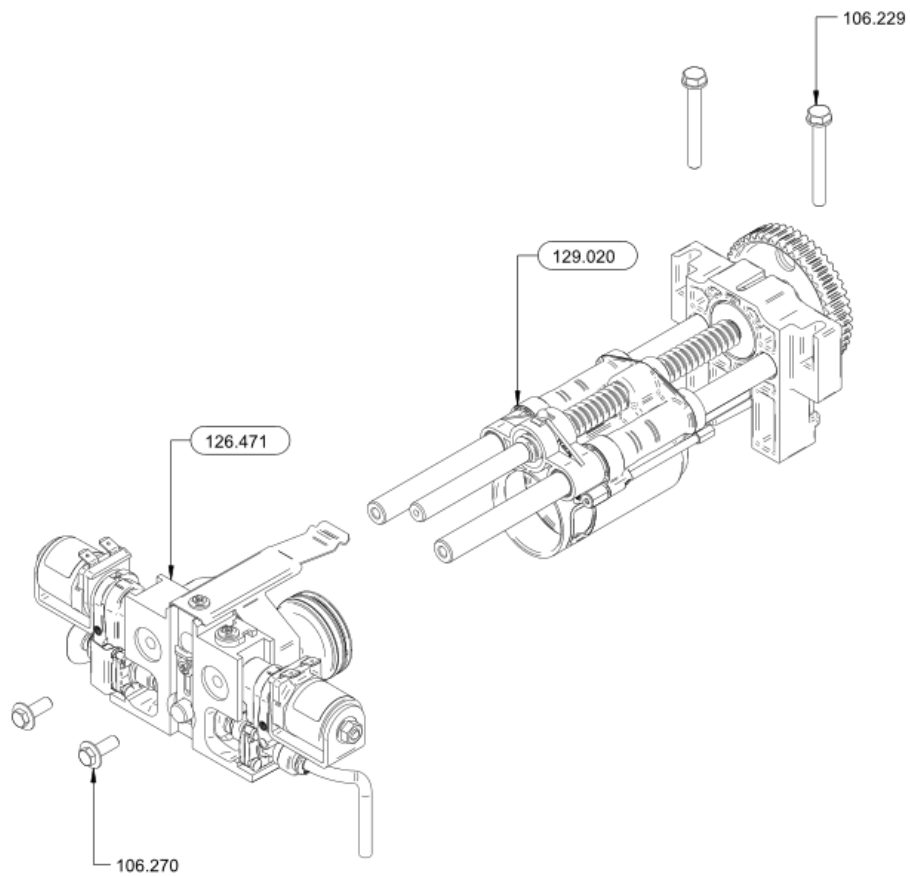
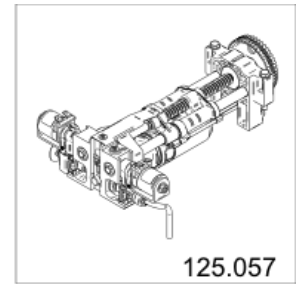
1.13.1 Right grinder ø54, assy.



1.13.2 Brew unit assy. BW4c

Article no.	Description	Quantity
106.229	Hex cap assembled screw M6x50	2
106.270	Hexagonal head screw M6x16	2
126.471	Front block assy.	1
129.020	Brew chamber with rear block assy.	1

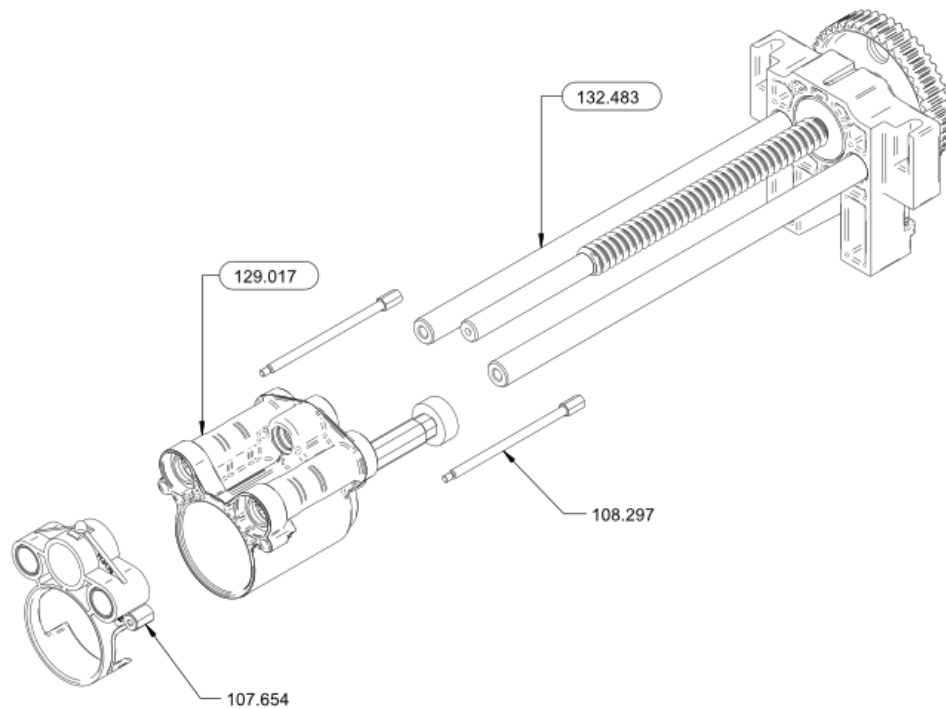
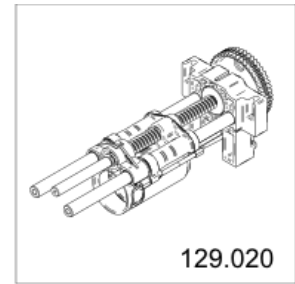
1.13.2 Brew unit assy. BW4c



1.13.2.1 Brew chamber with rear block assy.

Article no.	Description	Quantity
107.654	Clip collar, assembly	1
108.297	Retreat rod assy.	2
129.017	Brew chamber short assy. BW4c	1
132.483	Rear block assy.	1

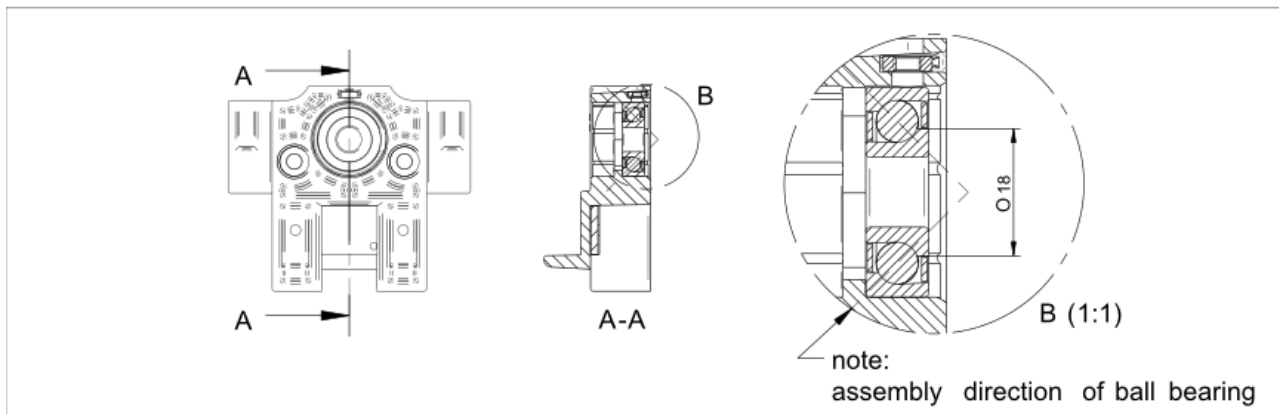
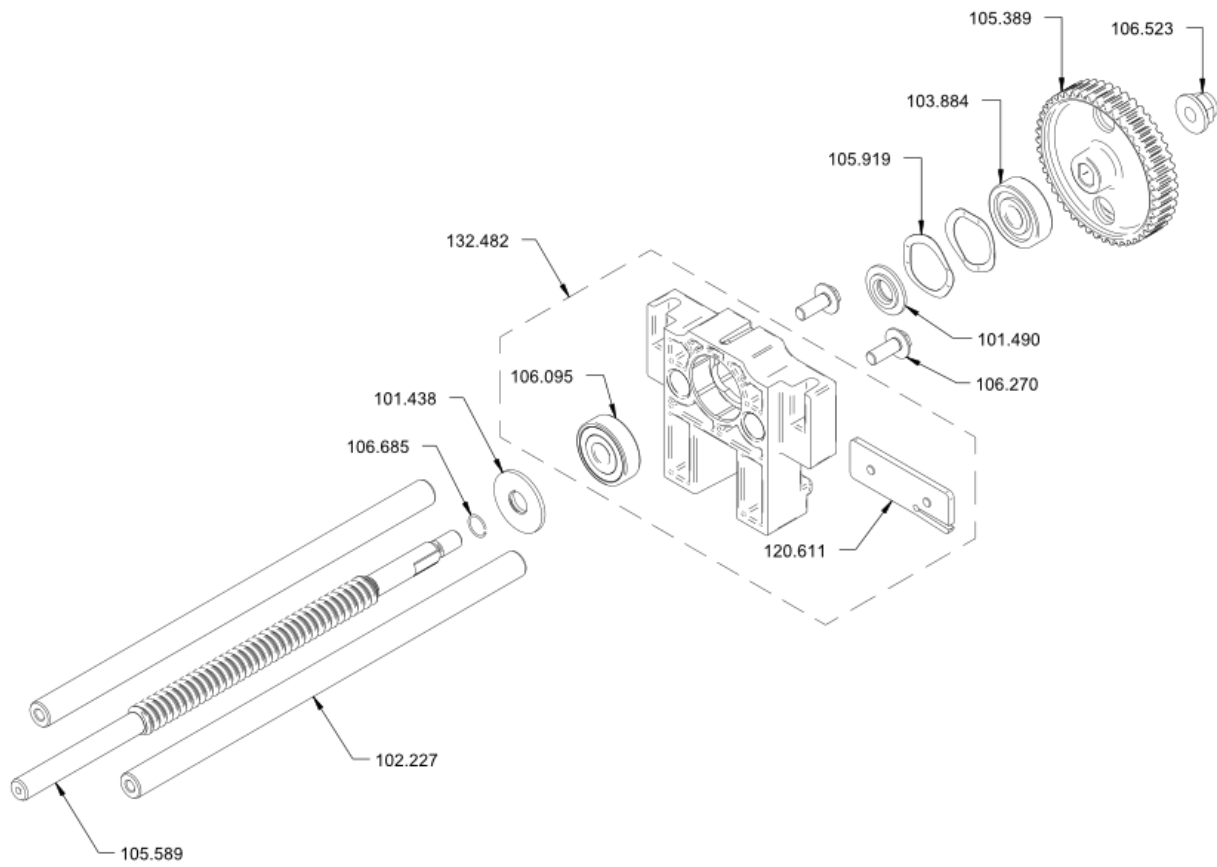
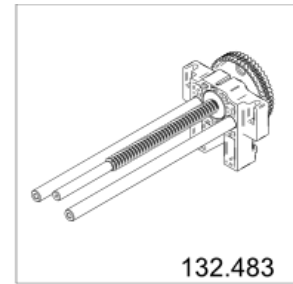
1.13.2.1 Brew chamber with rear block assy.



1.13.2.1.1 Rear block assy.

Article no.	Description	Quantity
101.438	Washer $\varnothing 29/10 \times 2.5$	1
101.490	Spacer	1
102.227	Guide rail	2
103.884	Ball bearing	1
105.389	Toothbelt pulley 46Z-T5	1
105.589	Drive spindle Rondo 14x4	1
105.919	Spring washer $\varnothing 30/22 \times 0.3$	2
106.095	Angular contact ball bearing 7200	1
106.270	Hexagonal head screw M6x16	2
106.523	Prevailing torque hex nut M8 with flange	1
106.685	Snap ring for shaft $\varnothing 10$	1
120.611	Spring steel plate	1
132.482	BW4c rear support with ball bearing	1

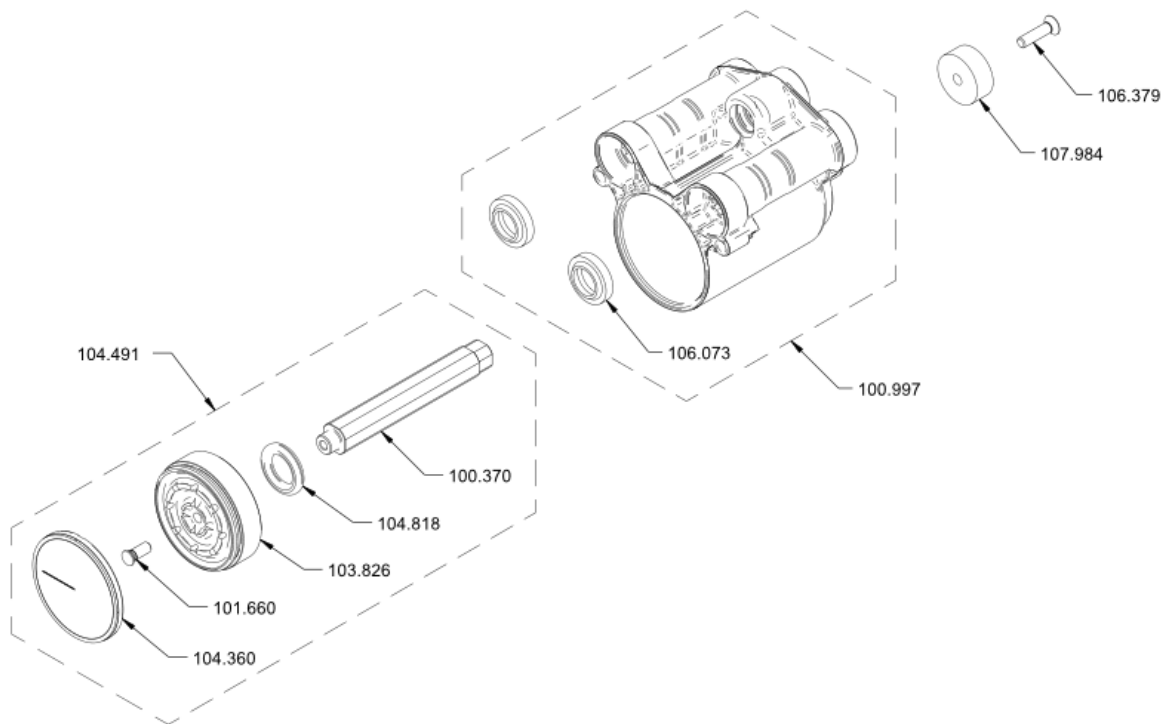
1.13.2.1.1 Rear block assy.



1.13.2.1.2 Brew chamber short assy. BW4c

Article no.	Description	Quantity
100.370	Rod mobile piston	1
100.997	Brew chamber with guide, assy.	1
101.660	Bolt screw to crimp PEM KFH-M4-10	1
103.826	Head of mobile piston	1
104.360	Filter with clip	1
104.491	Moving piston assy.	1
104.818	O-Ring 10.69x3.53 FKM	1
106.073	Scraper ring G12x19x3/5	2
106.379	Countersunk screw Phillips M4x16	1
107.984	Pot magnet ø20x8	1

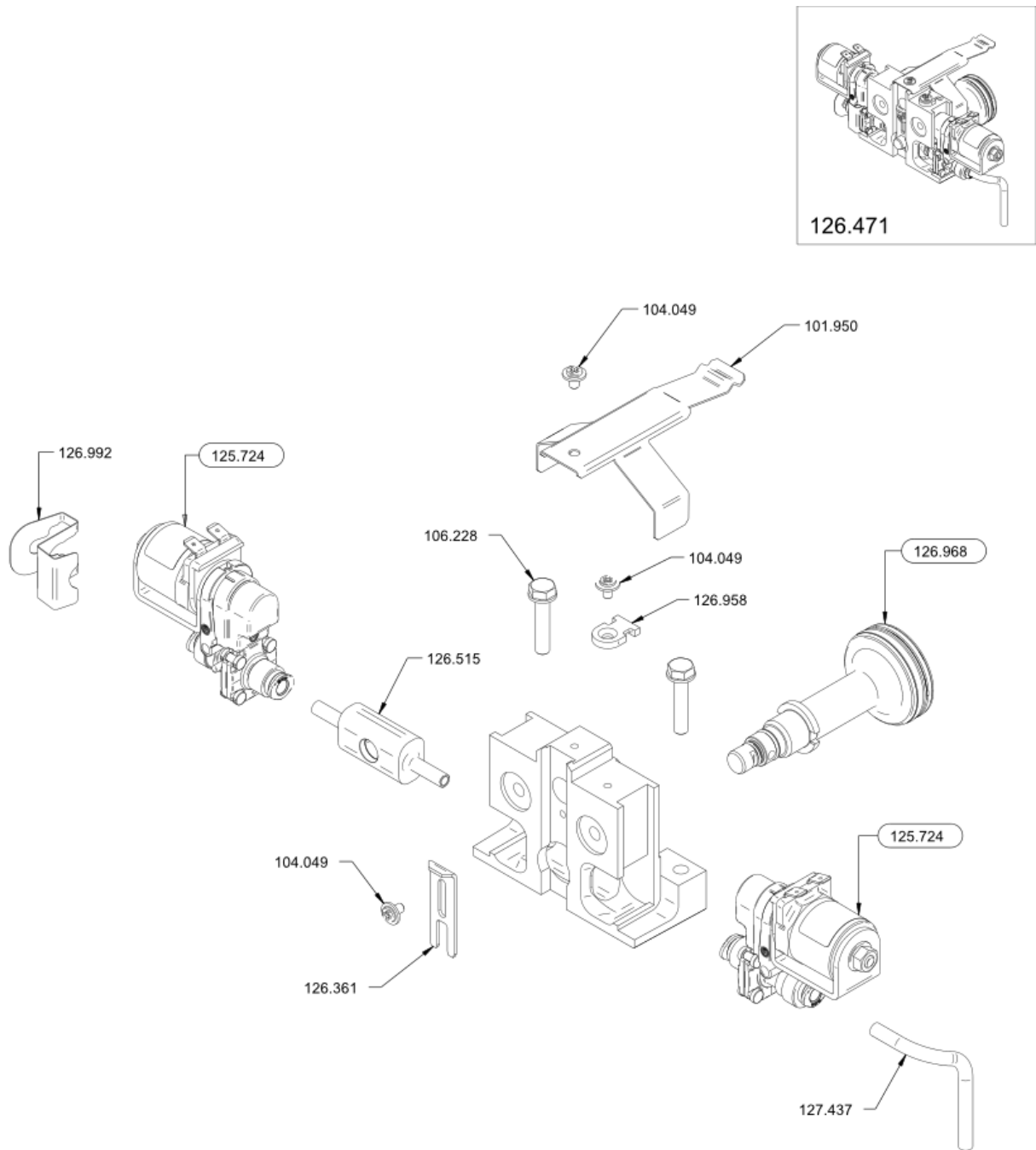
1.13.2.1.2 Brew chamber short assy. BW4c



1.13.2.2 Front block assy.

Article no.	Description	Quantity
101.950	Spring plate	1
104.049	Oval head screw M4x6 Phillips	3
106.228	Hexagonal head screw combi M6x30	2
125.724	Lever valve 2/2 ø6.0 DN4	2
126.361	Anti-twist device plate	1
126.515	Adaptor	1
126.958	Cable tie holder	1
126.968	Piston fixed assy.	1
126.992	Spring steel sheet for lever valve 2/2	1
127.437	FEP pipe ø6/4 x 95mm	1

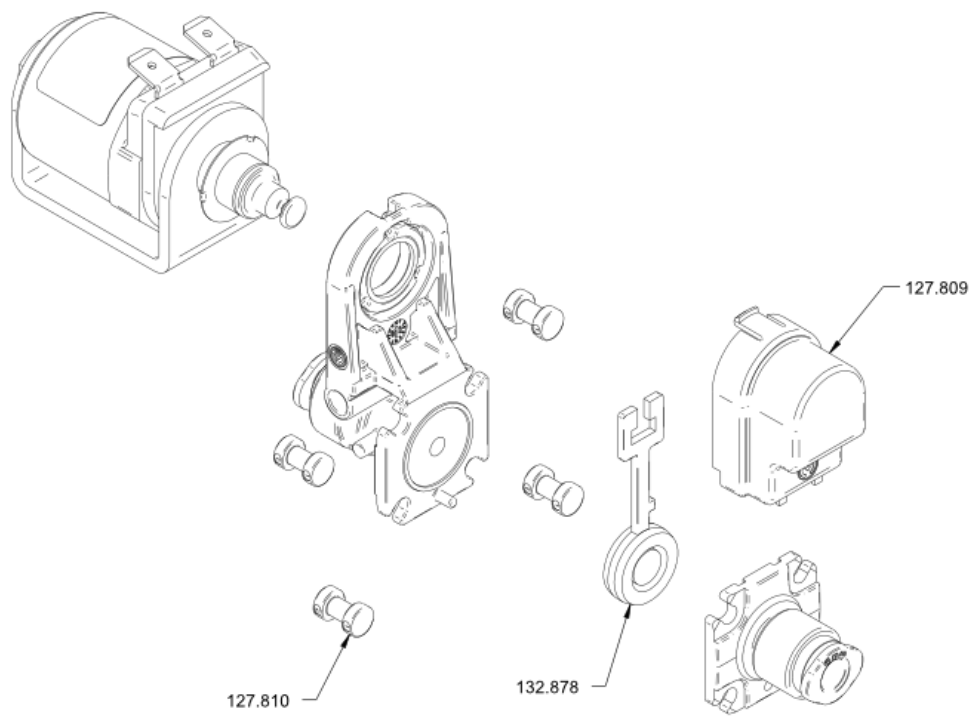
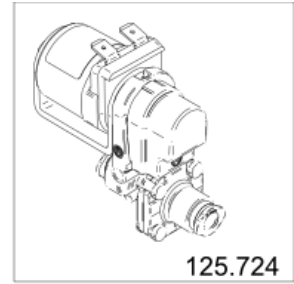
1.13.2.2 Front block assy.



1.13.2.2.1 Lever valve 2/2 ø6.0 DN4

Article no.	Description	Quantity
127.809	Cover to lever valve	1
127.810	Clip	4
132.878	Ringmembrane lever valve 2/2 EPDM	1

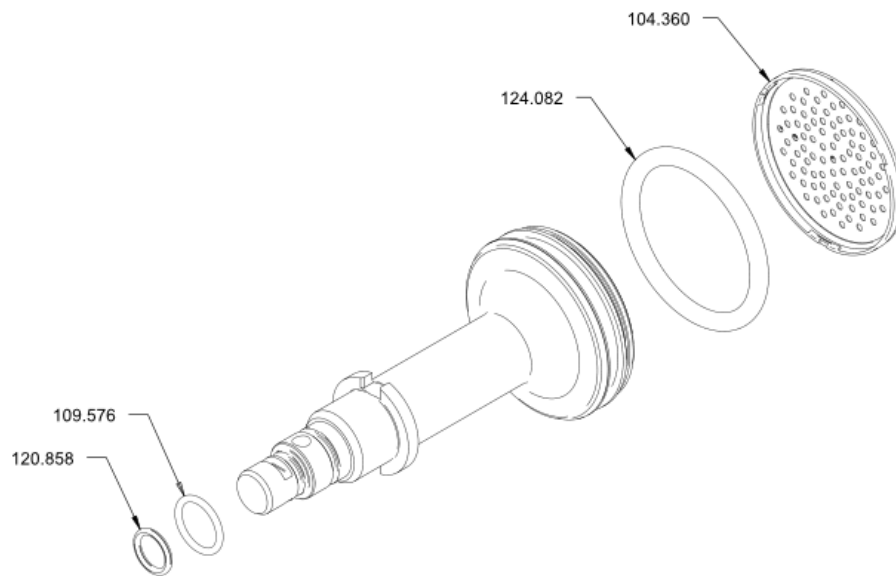
1.13.2.2.1 Lever valve 2/2 \varnothing 6.0 DN4



1.13.2.2.2 Piston fixed assy.

Article no.	Description	Quantity
104.360	Filter with clip	1
109.576	O-Ring 11.00x1.50 FKM 75°Shore A	1
120.858	O-Ring 8.00x1.50 FKM 75.5/VA75F	1
124.082	O-Ring 35.00x4.00 FKM 75.5/VA75F	1

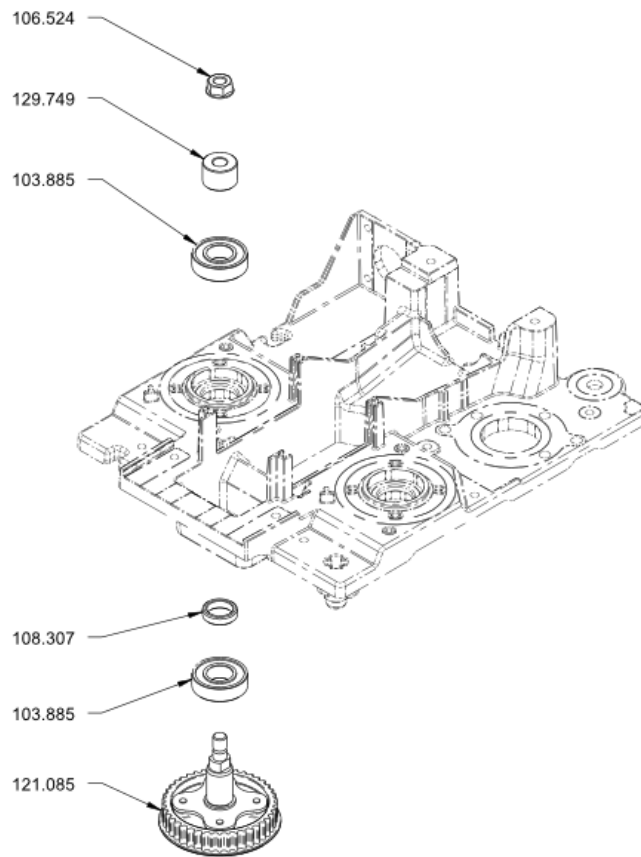
1.13.2.2.2 Piston fixed assy.



1.13.3 BW4c deflection roller ø54 assy.

Article no.	Description	Quantity
103.885	Ball bearing 6002	2
106.524	Lock nut M8 Serpress	1
108.307	Distance bushing mill ø54	1
121.085	Grinder shaft + belt pulley 42Z assy.	1
129.749	Distance sleeve ø20x13.6	1

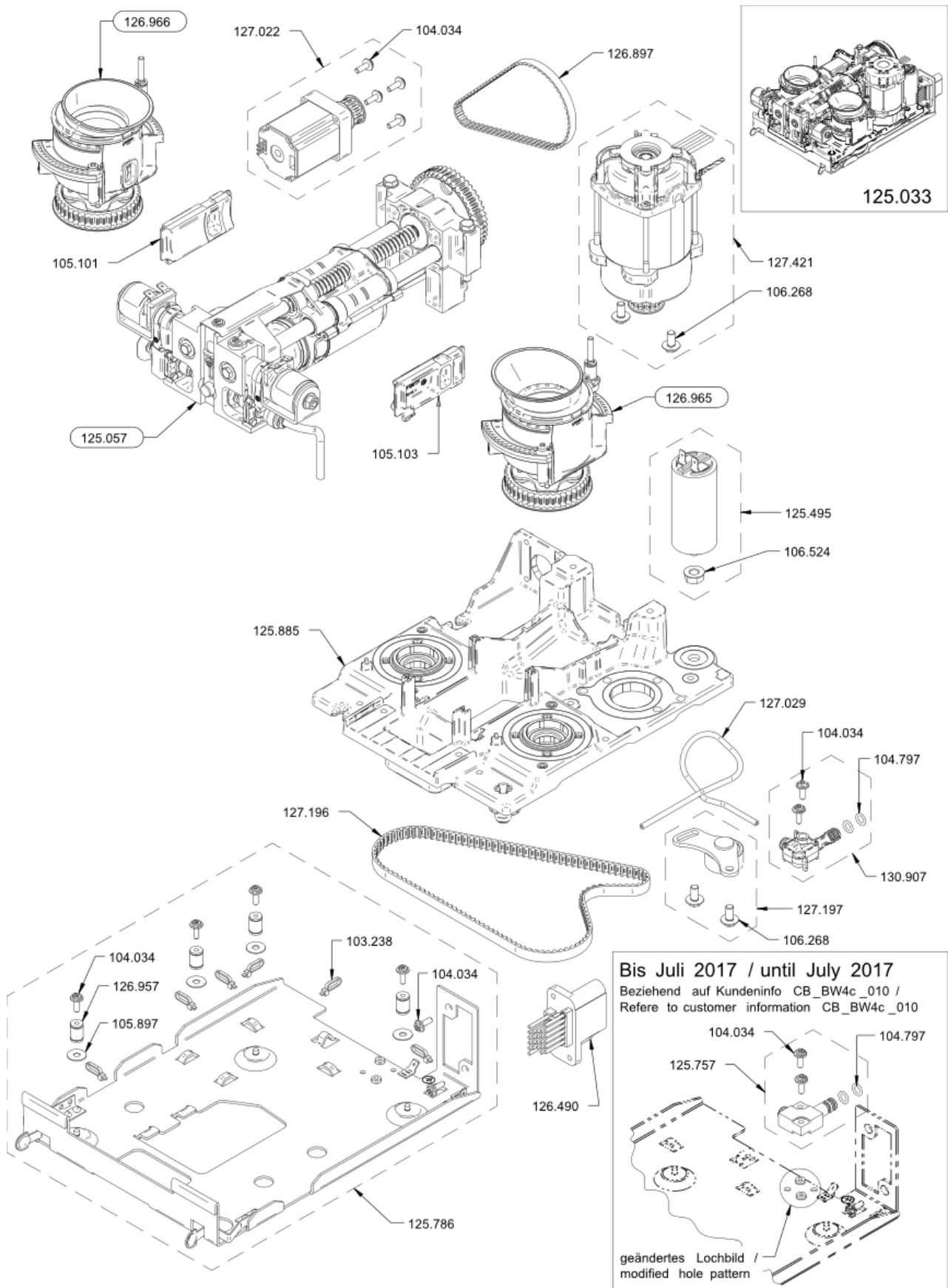
1.13.3 BW4c deflection roller $\varnothing 54$ assy.



1.14 Mechanical module BW4c M2

Article no.	Description	Quantity
103.238	Cable tie 85/22	6
104.034	Oval head screw Phillips M4x12	2
104.034	Oval head screw Phillips M4x12	4
104.034	Oval head screw Phillips M4x12	6
104.034	Oval head screw Phillips M4x12	2
104.797	O-Ring 6.75x1.78 FKM	2
104.797	O-Ring 6.75x1.78 FKM	2
105.101	Powder diffuser left grinder	1
105.103	Powder diffuser right grinder	1
105.897	Flat washer M5	4
106.268	Hexagonal head screw eco-fix M6x12	2
106.524	Lock nut M8 Serpress	1
125.057	Brew unit assy. BW4c	1
125.495	Capacitor 450/12µF with nut	1
125.757	Water inlet to mech. module set	1
125.786	Cover mechanical base assy.	1
125.885	Mechanical base-plastic	1
126.490	Wiring harness BW4c mechanic module	1
126.897	Toothed belt 340-7-T5	1
126.957	Cylindrical buffer C-ø10x15-M4-NR 55Shore	4
126.965	Right grinder ø54, assy.	1
126.966	Left grinder ø54, assy.	1
127.022	Motor to brew chamber assy.	1
127.029	FEP pipe ø4/2 x 300mm	1
127.196	Toothed belt 600-5M-9	1
127.197	Belt tensioning roller assy.	1
127.421	Grindermotor assy.	1
130.907	Water inlet to mechanical module set	1

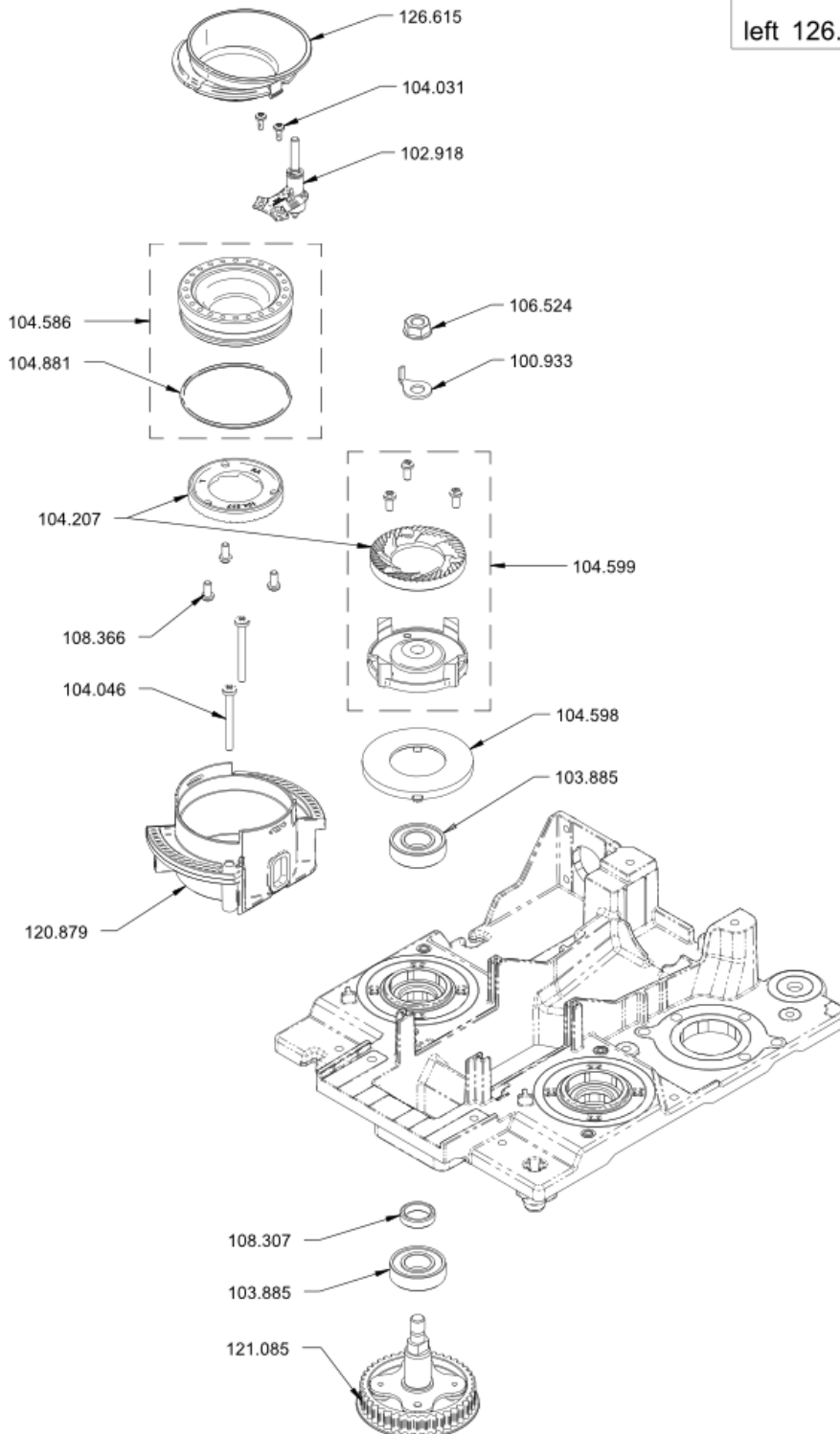
1.14 Mechanical module BW4c M2



1.14.1 Left grinder ø54, assy.

Article no.	Description	Quantity
100.933	Agitator ø54 grinder	1
102.918	Mill ø54 adjustment, assembly	1
103.885	Ball bearing 6002	2
104.031	Oval head thread forming screw Phi. M3x8	2
104.046	Screw M04x40 form H	2
104.207	Grinder disc (pair) ø54 left	0.5
104.586	Mill upper support ø54, assy.	1
104.598	Partition ring grinder	1
104.599	Lower grinding disc ø54 left, assy.	1
104.881	O-Ring 59.00x2.00 NBR 70.5/P5F	1
106.524	Lock nut M8 Serpress	1
108.307	Distance bushing mill ø54	1
108.366	Socket head screw M4x9 Tuflok	3
120.879	Grinder body ø54	1
121.085	Grinder shaft + belt pulley 42Z assy.	1
126.615	Guide funnel mill	1

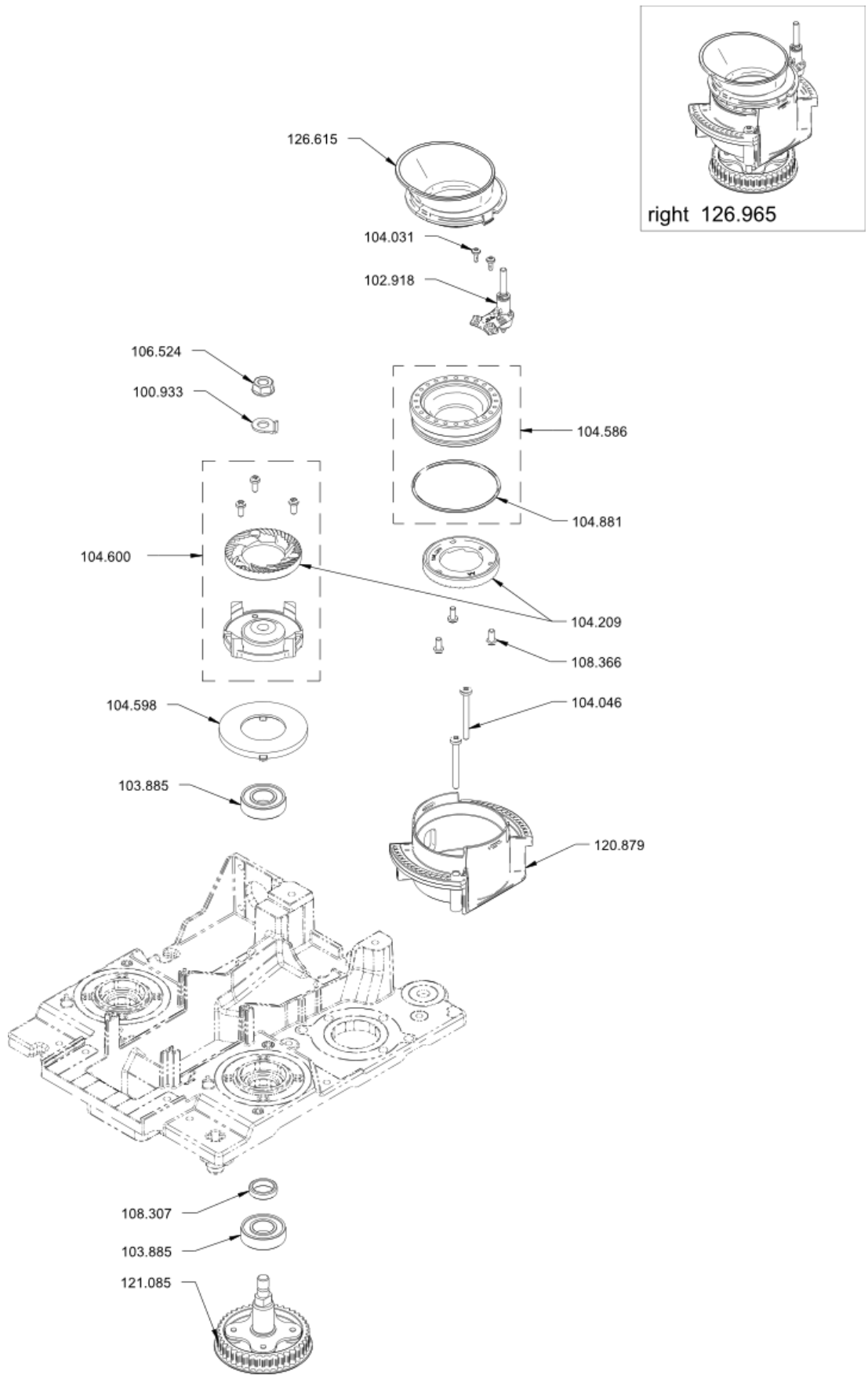
1.14.1 Left grinder ø54, assy.



1.14.2 Right grinder ø54, assy.

Article no.	Description	Quantity
100.933	Agitator ø54 grinder	1
102.918	Mill ø54 adjustment, assembly	1
103.885	Ball bearing 6002	2
104.031	Oval head thread forming screw Phi. M3x8	2
104.046	Screw M04x40 form H	2
104.209	Grinder disc (pair) ø54 right	0.5
104.586	Mill upper support ø54, assy.	1
104.598	Partition ring grinder	1
104.600	Lower grinding disc ø54 right, assy.	1
104.881	O-Ring 59.00x2.00 NBR 70.5/P5F	1
106.524	Lock nut M8 Serpress	1
108.307	Distance bushing mill ø54	1
108.366	Socket head screw M4x9 Tuflok	3
120.879	Grinder body ø54	1
121.085	Grinder shaft + belt pulley 42Z assy.	1
126.615	Guide funnel mill	1

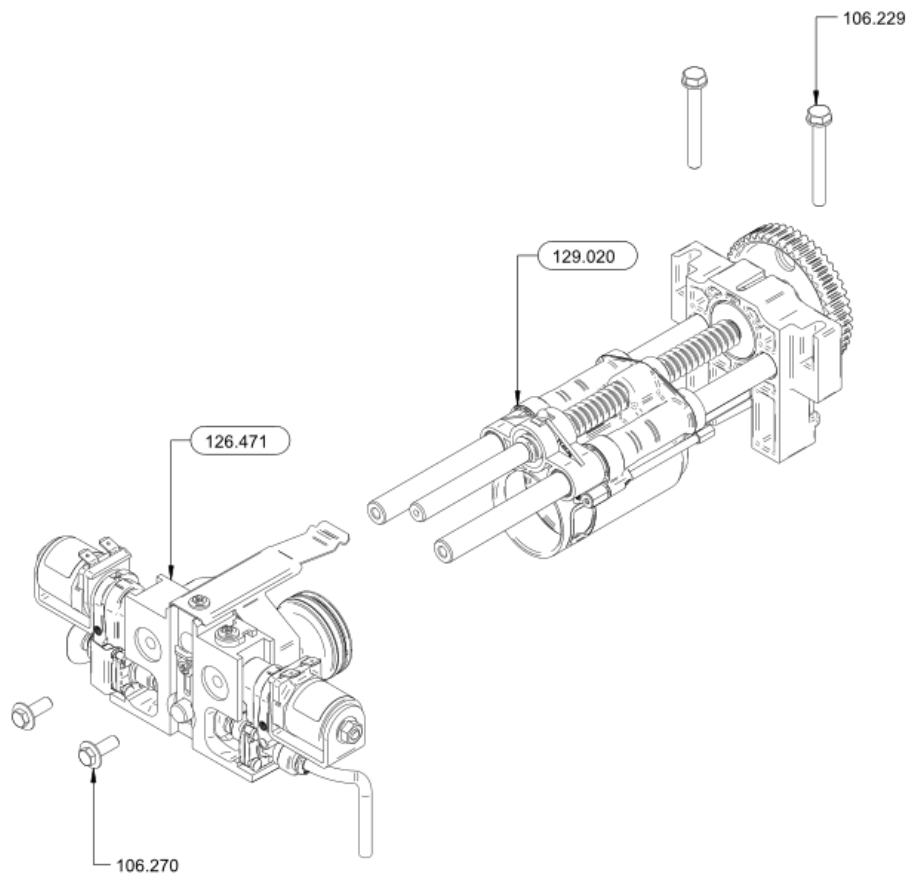
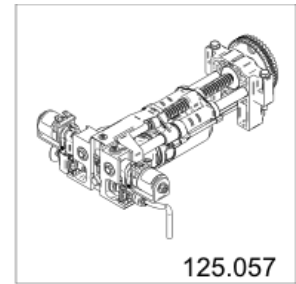
1.14.2 Right grinder ø54, assy.



1.14.3 Brew unit assy. BW4c

Article no.	Description	Quantity
106.229	Hex cap assembled screw M6x50	2
106.270	Hexagonal head screw M6x16	2
126.471	Front block assy.	1
129.020	Brew chamber with rear block assy.	1

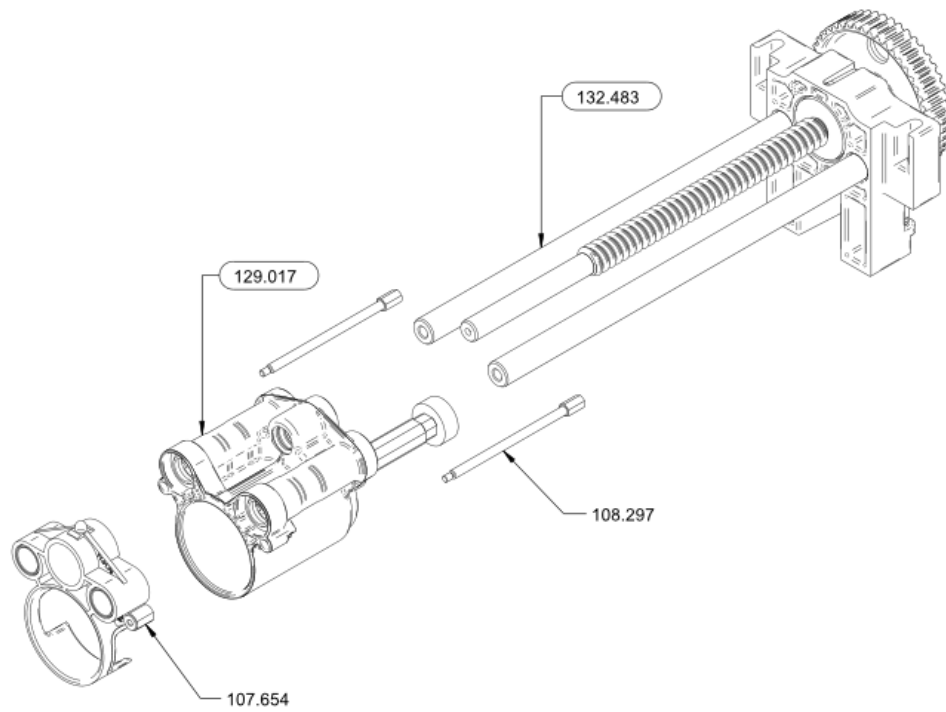
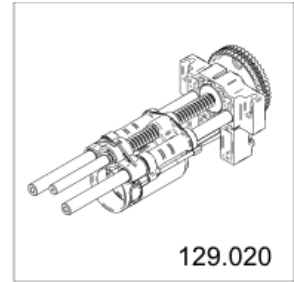
1.14.3 Brew unit assy. BW4c



1.14.3.1 Brew chamber with rear block assy.

Article no.	Description	Quantity
107.654	Clip collar, assembly	1
108.297	Retreat rod assy.	2
129.017	Brew chamber short assy. BW4c	1
132.483	Rear block assy.	1

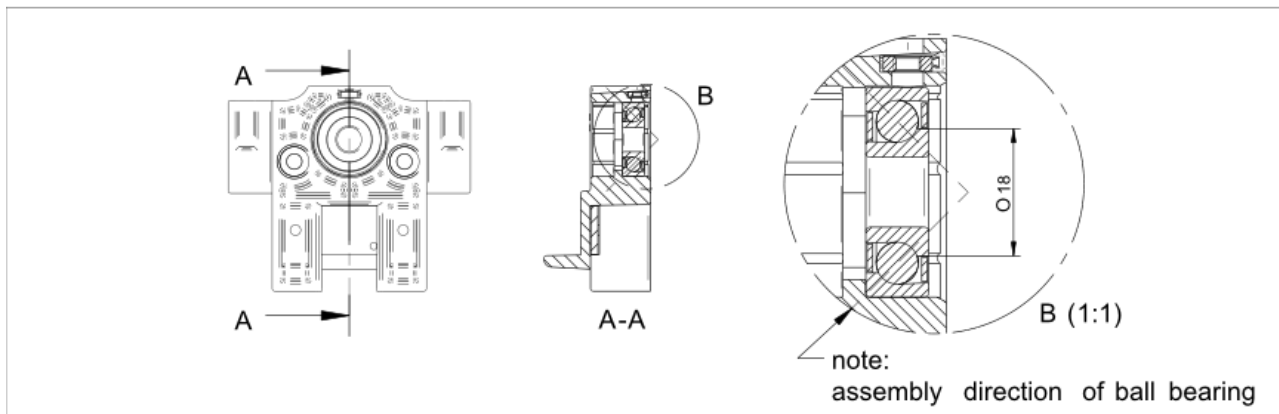
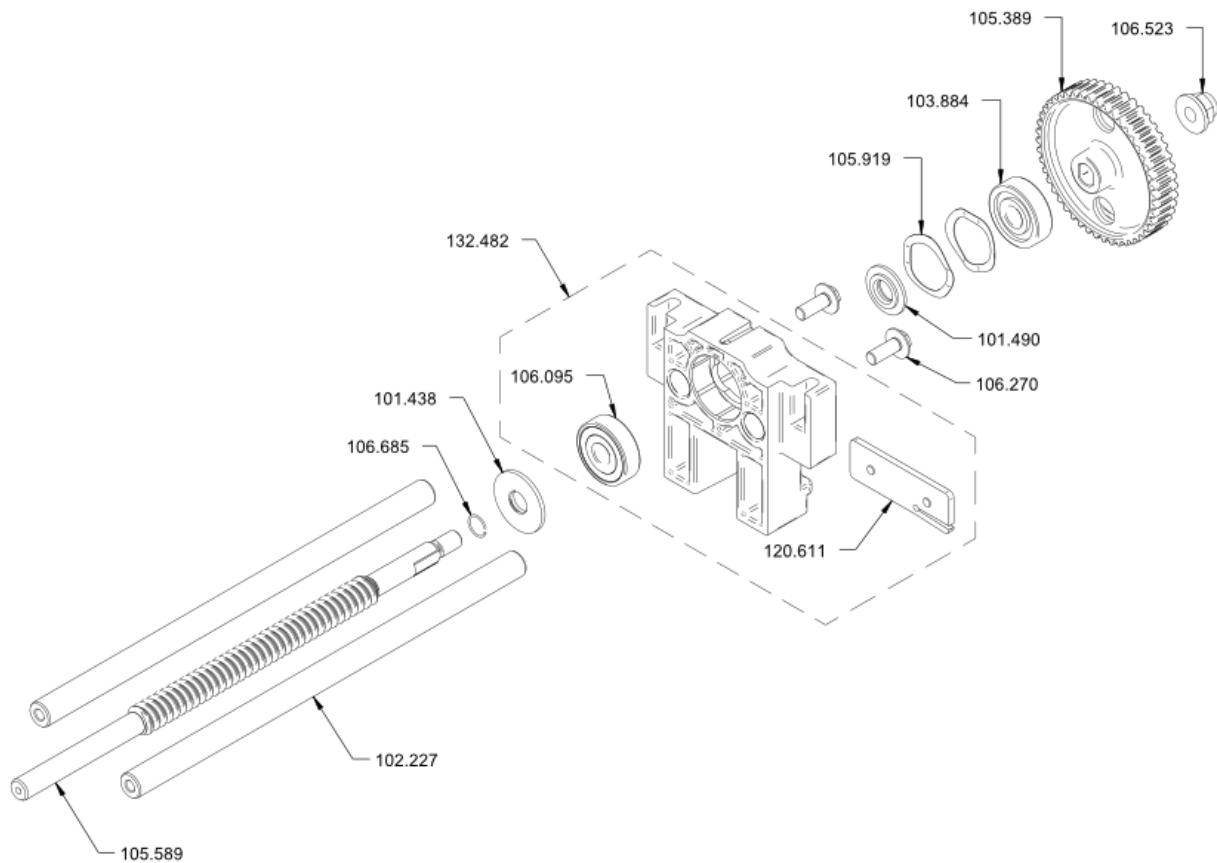
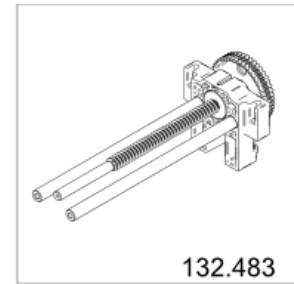
1.14.3.1 Brew chamber with rear block assy.



1.14.3.1.1 Rear block assy.

Article no.	Description	Quantity
101.438	Washer $\varnothing 29/10 \times 2.5$	1
101.490	Spacer	1
102.227	Guide rail	2
103.884	Ball bearing	1
105.389	Toothbelt pulley 46Z-T5	1
105.589	Drive spindle Rondo 14x4	1
105.919	Spring washer $\varnothing 30/22 \times 0.3$	2
106.095	Angular contact ball bearing 7200	1
106.270	Hexagonal head screw M6x16	2
106.523	Prevailing torque hex nut M8 with flange	1
106.685	Snap ring for shaft $\varnothing 10$	1
120.611	Spring steel plate	1
132.482	BW4c rear support with ball bearing	1

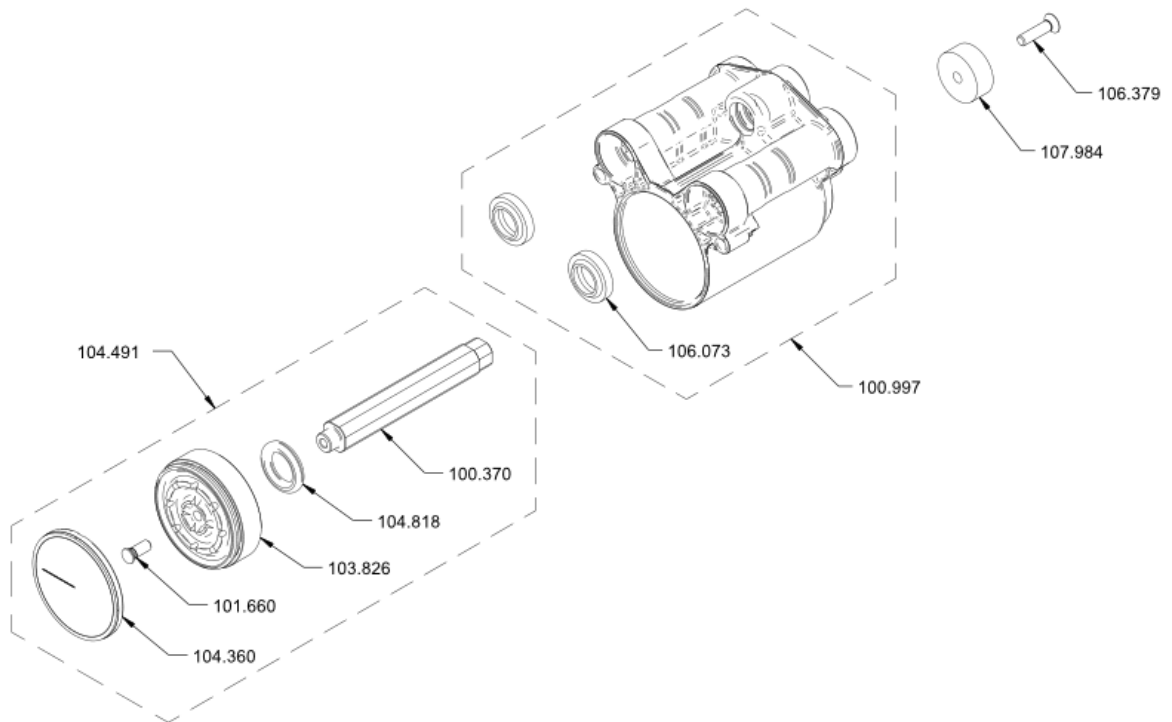
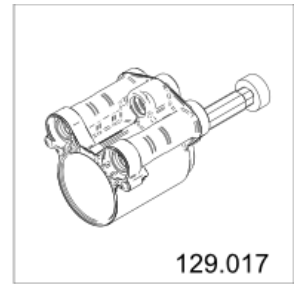
1.14.3.1.1 Rear block assy.



1.14.3.1.2 Brew chamber short assy. BW4c

Article no.	Description	Quantity
100.370	Rod mobile piston	1
100.997	Brew chamber with guide, assy.	1
101.660	Bolt screw to crimp PEM KFH-M4-10	1
103.826	Head of mobile piston	1
104.360	Filter with clip	1
104.491	Moving piston assy.	1
104.818	O-Ring 10.69x3.53 FKM	1
106.073	Scraper ring G12x19x3/5	2
106.379	Countersunk screw Phillips M4x16	1
107.984	Pot magnet ø20x8	1

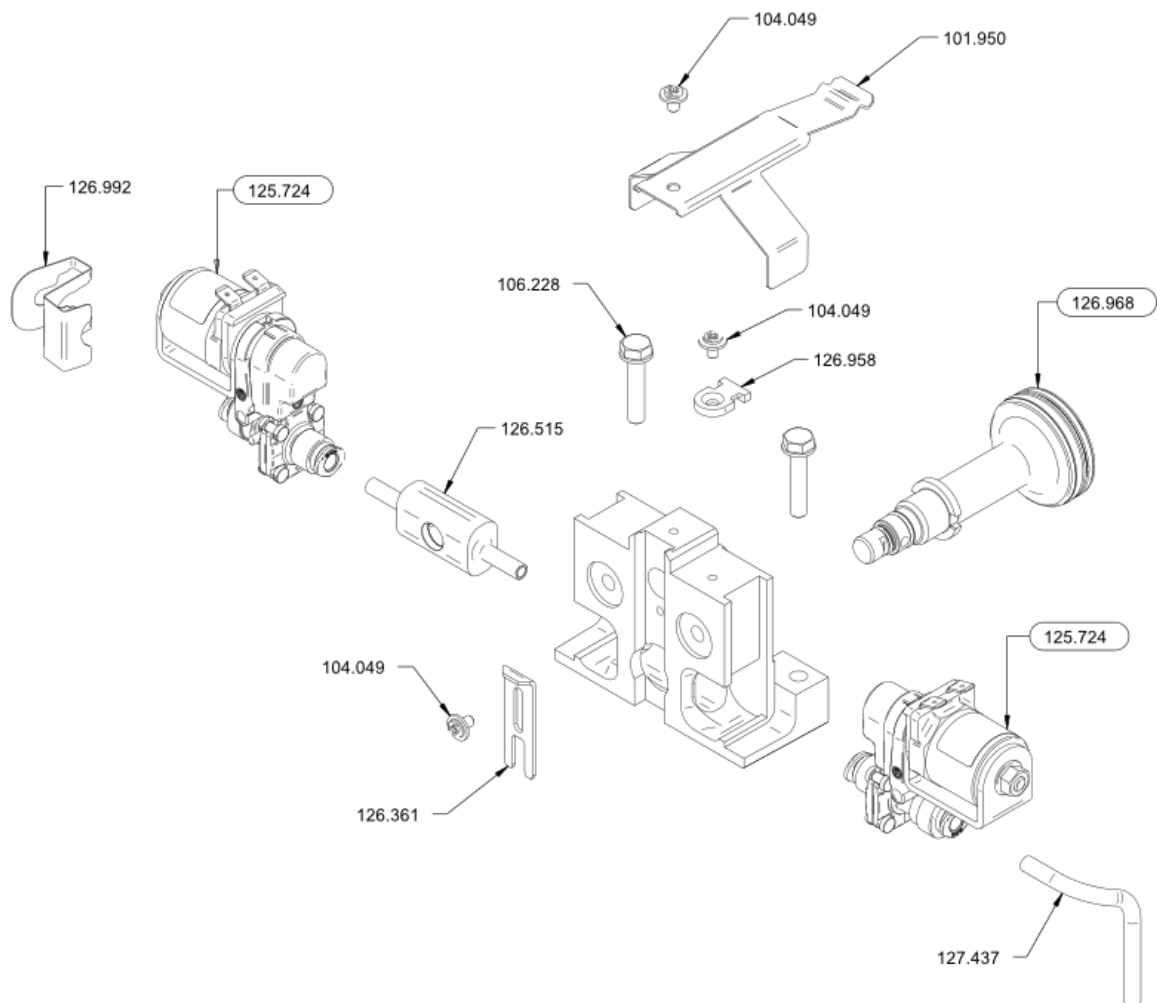
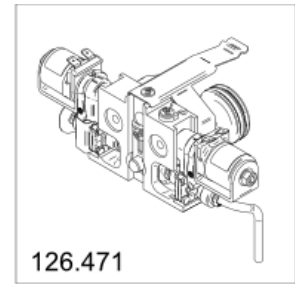
1.14.3.1.2 Brew chamber short assy. BW4c



1.14.3.2 Front block assy.

Article no.	Description	Quantity
101.950	Spring plate	1
104.049	Oval head screw M4x6 Phillips	3
106.228	Hexagonal head screw combi M6x30	2
125.724	Lever valve 2/2 ø6.0 DN4	2
126.361	Anti-twist device plate	1
126.515	Adaptor	1
126.958	Cable tie holder	1
126.968	Piston fixed assy.	1
126.992	Spring steel sheet for lever valve 2/2	1
127.437	FEP pipe ø6/4 x 95mm	1

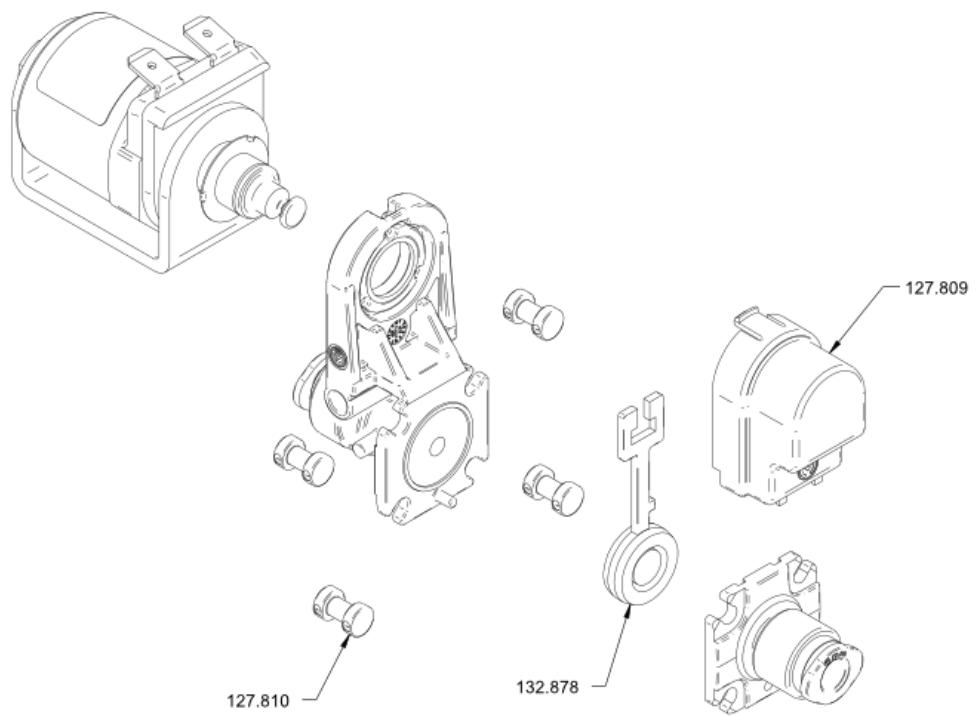
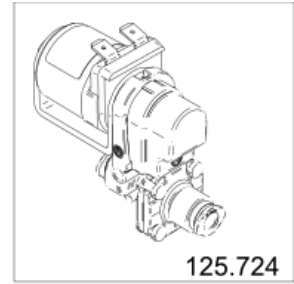
1.14.3.2 Front block assy.



1.14.3.2.1 Lever valve 2/2 ø6.0 DN4

Article no.	Description	Quantity
127.809	Cover to lever valve	1
127.810	Clip	4
132.878	Ringmembrane lever valve 2/2 EPDM	1

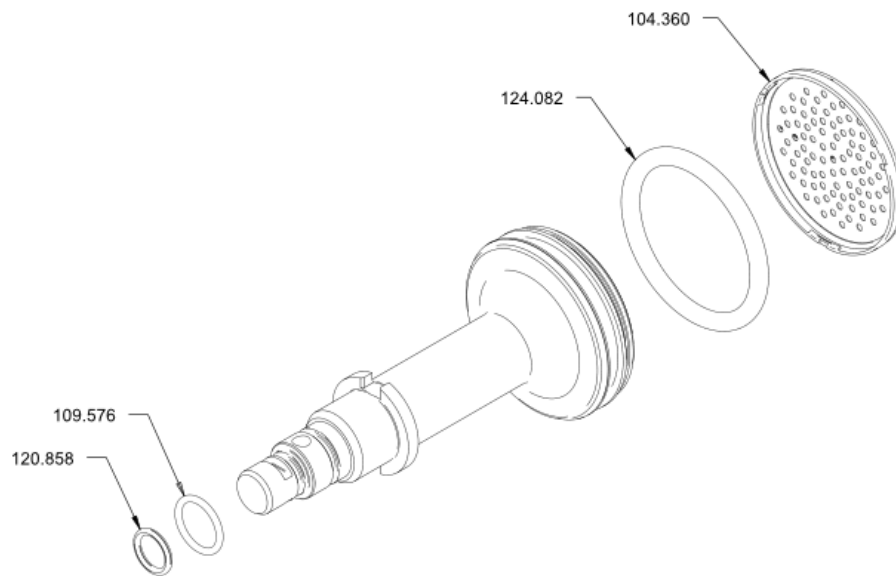
1.14.3.2.1 Lever valve 2/2 \varnothing 6.0 DN4



1.14.3.2.2 Piston fixed assy.

Article no.	Description	Quantity
104.360	Filter with clip	1
109.576	O-Ring 11.00x1.50 FKM 75°Shore A	1
120.858	O-Ring 8.00x1.50 FKM 75.5/VA75F	1
124.082	O-Ring 35.00x4.00 FKM 75.5/VA75F	1

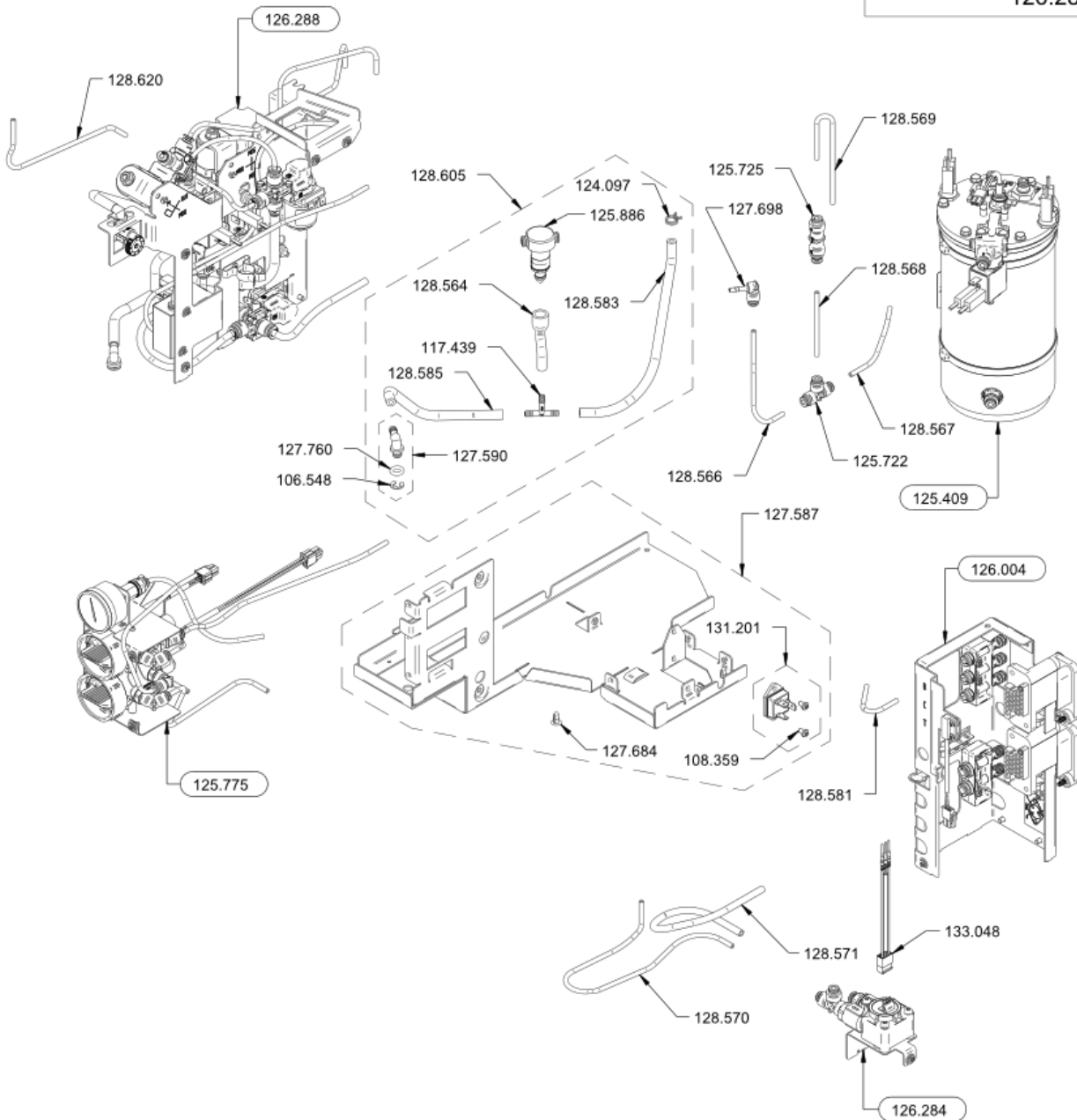
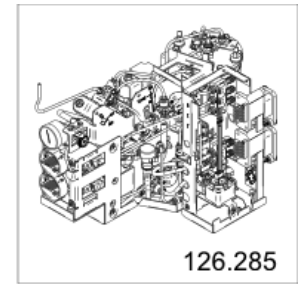
1.14.3.2.2 Piston fixed assy.



1.15 Hydraulic module BW4c CTM 2.5kW

Article no.	Description	Quantity
106.548	Circlip for shaft ø6	1
108.359	Socket flat head screw M4x6	2
117.439	T-Connector (PP) for tube ø4mm	1
124.097	Clip for silicone hose ø9.6mm	1
125.409	Boiler BW4c CTM 2.5kW 1Wi. assy.	1
125.722	T-connector 3x ø4	1
125.725	Check valve ø4	1
125.775	Cleaning system CTM assy.	1
125.886	Safety valve 13.0 bar assy.	1
126.004	Connector support CTM assy.	1
126.284	Flowmeter assy.	1
126.288	Valve+Pump Support assy.	1
127.587	Base chassis hydraulic assy.	1
127.590	Drain elbow hydraulic set	1
127.684	Pluggable rivet ø4.6x11.1	7
127.698	Elbow connector 4-4	1
127.760	O-Ring 07.00x3.00 NBR NT 70.11	1
128.564	Silicone hose ø8.5/4 x 60mm	1
128.566	FEP pipe ø4/2 x 110mm	1
128.567	FEP pipe ø4/2 x 50mm	1
128.568	FEP pipe ø4/2 x 70mm	1
128.569	FEP pipe ø4/2 x 150mm	1
128.570	FEP pipe ø4/2 x 270mm	1
128.571	FEP pipe ø6/4 x 220mm	1
128.581	FEP pipe ø4/2 x 90mm	1
128.583	Silicone hose ø8.5/4 x 230mm	1
128.585	Silicone hose ø8.5/4 x 140mm	1
128.605	Drain tube coffee assy.	1
128.620	FEP pipe ø4/2 x 200mm	1
131.201	Set Triac	1
133.048	Harness repair kit Flowmeter BW4c	1

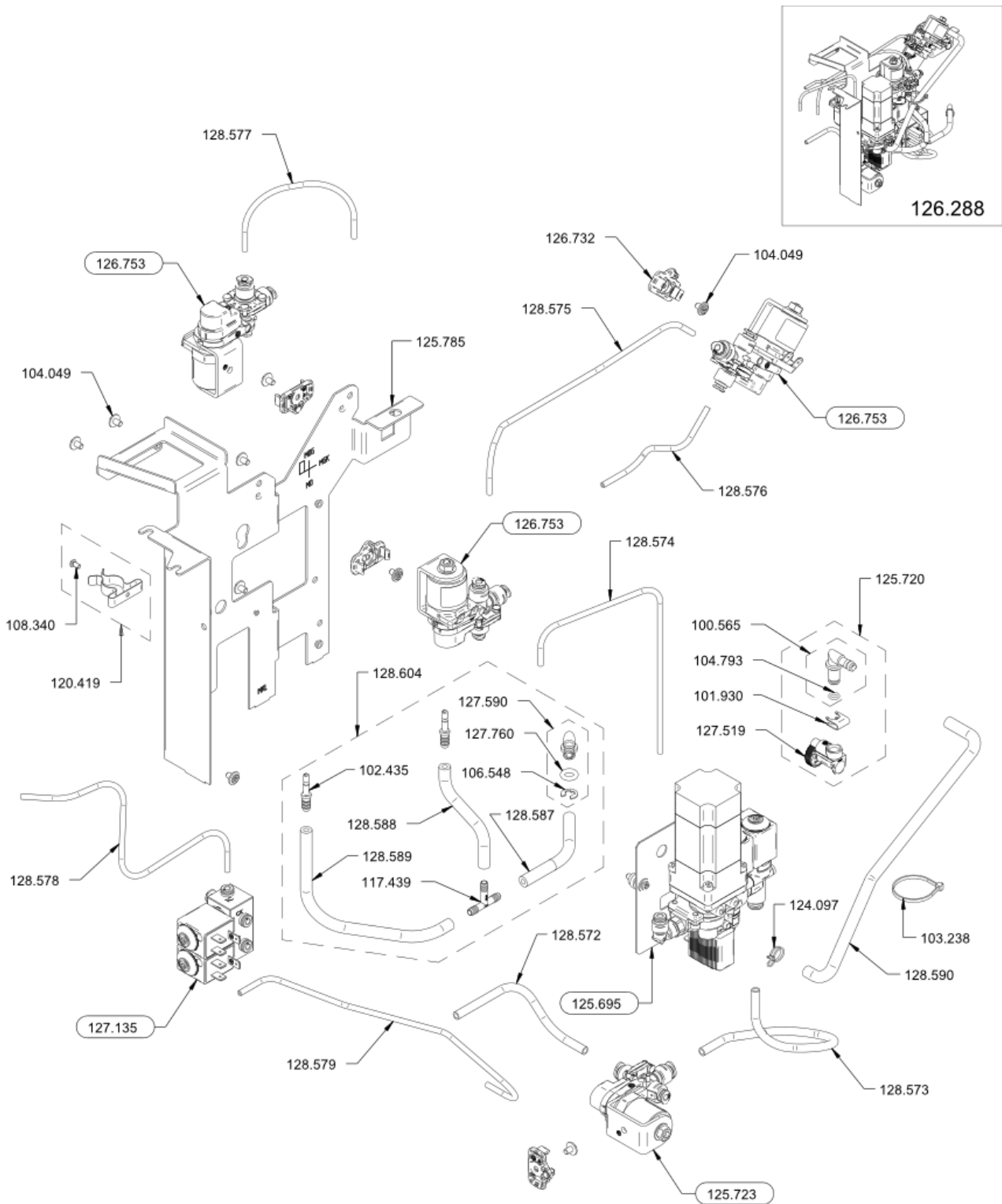
1.15 Hydraulic module BW4c CTM 2.5kW



1.15.1 Valve+Pump Support assy.

Article no.	Description	Quantity
100.565	Angle connection, assembly	1
101.930	Spring clip	1
102.435	Straight connection ø4	2
103.238	Cable tie 85/22	1
104.049	Oval head screw M4x6 Phillips	9
104.793	O-Ring 5.00x1.50 MVQ	1
106.548	Circlip for shaft ø6	1
108.340	Socket head screw M3x6 Phillips	1
117.439	T-Connector (PP) for tube ø4mm	1
120.419	Tool clip ø16-19 set	1
124.097	Clip for silicone hose ø9.6mm	1
125.695	Milkpump unit with cleaningblock	1
125.720	Aircontroller BW4c assy.	1
125.723	Lever valve 3/2 ø6.0 DN4	1
125.785	Center support hydraulic	1
126.732	Flange wide	4
126.753	Lever valve 3/2 ø4.0 DN3	3
127.135	Tea and cleanvalve set	1
127.519	Air regulator brown 0.5mm	1
127.590	Drain elbow hydraulic set	1
127.760	O-Ring 07.00x3.00 NBR NT 70.11	1
128.572	FEP pipe ø6/4 x 140mm	1
128.573	FEP pipe ø6/4 x 160mm	1
128.574	FEP pipe ø4/2 x 260mm	1
128.575	FEP pipe ø4/2 x 280mm	1
128.576	FEP pipe ø4/2 x 110mm	1
128.577	FEP pipe ø4/2 x 150mm	1
128.578	FEP pipe ø4/2 x 280mm	1
128.579	FEP pipe ø4/2 x 310mm	1
128.587	Silicone hose ø8.5/4 x 90mm	1
128.588	Silicone hose ø8.5/4 x 90mm	1
128.589	Silicone hose ø8.5/4 x 160mm	1
128.590	Silicone hose ø8.5/4 x 250mm	1
128.604	Drain tube milk assy.	1

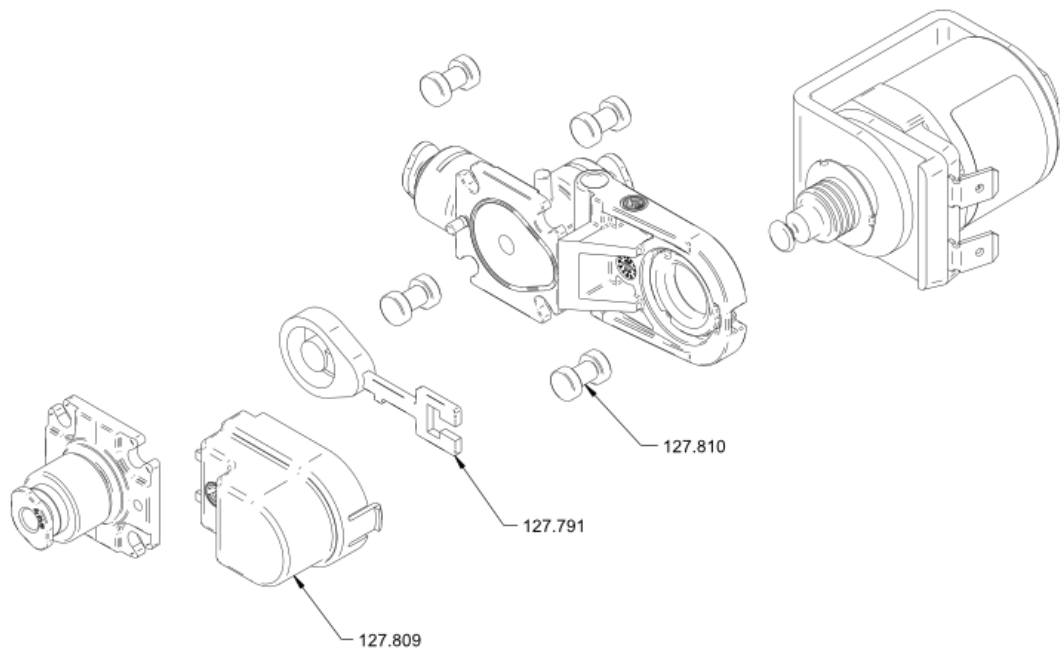
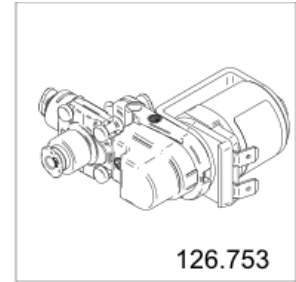
1.15.1 Valve+Pump Support assy.



1.15.1.1 Lever valve 3/2 ø4.0 DN3

Article no.	Description	Quantity
127.791	Ringmembrane lever valve 3/2 EPDM	1
127.809	Cover to lever valve	1
127.810	Clip	4

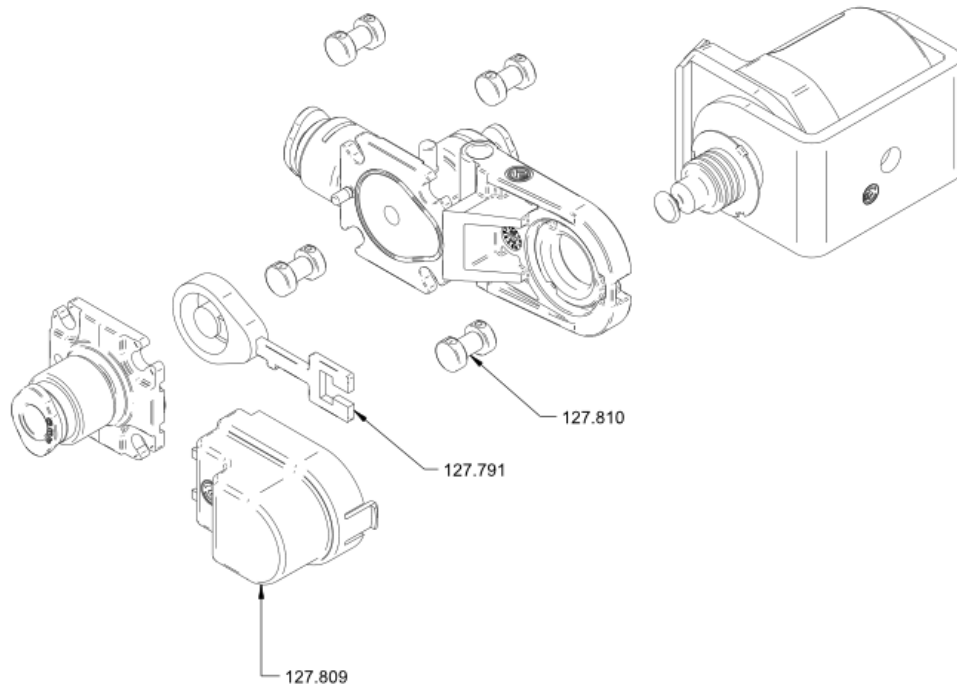
1.15.1.1 Lever valve 3/2 ø4.0 DN3



1.15.1.2 Lever valve 3/2 ø6.0 DN4

Article no.	Description	Quantity
127.791	Ringmembrane lever valve 3/2 EPDM	1
127.809	Cover to lever valve	1
127.810	Clip	4

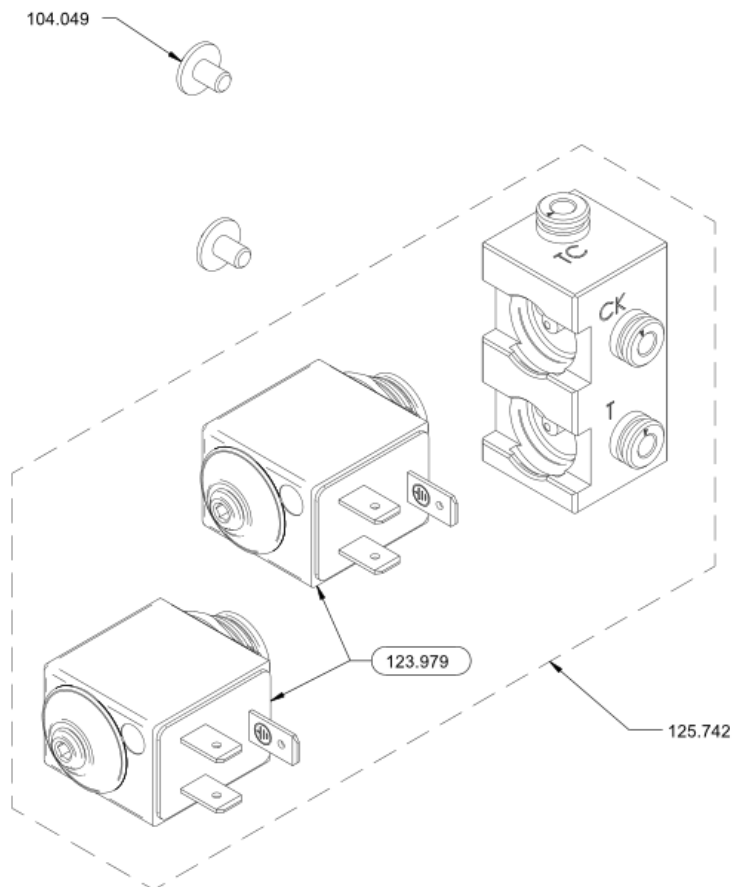
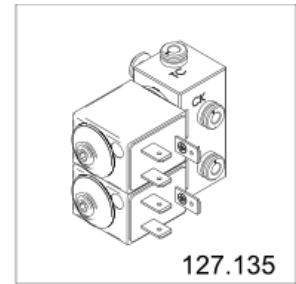
1.15.1.2 Lever valve 3/2 ø6.0 DN4



1.15.1.3 Tea and cleanvalve set

Article no.	Description	Quantity
104.049	Oval head screw M4x6 Phillips	2
123.979	Solenoid valve 2/2, \varnothing 1.4, 7.5W UL	2
125.742	Tea and cleanvalve assy.	1

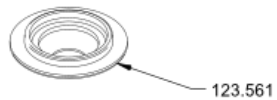
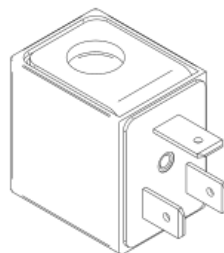
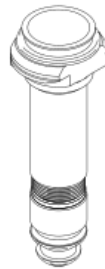
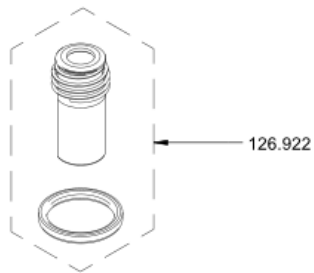
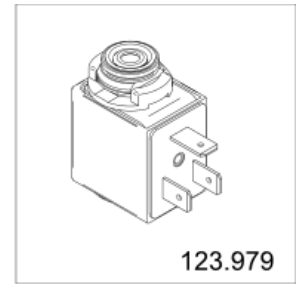
1.15.1.3 Tea and cleanvalve set



1.15.1.3.1 Solenoid valve 2/2, ø1.4, 7.5W UL

Article no.	Description	Quantity
123.560	Supporting ring	1
123.561	Protection cap	1
123.562	Spring to magnet valve	1
126.922	Plunger kit 2/2 ø1.4	1

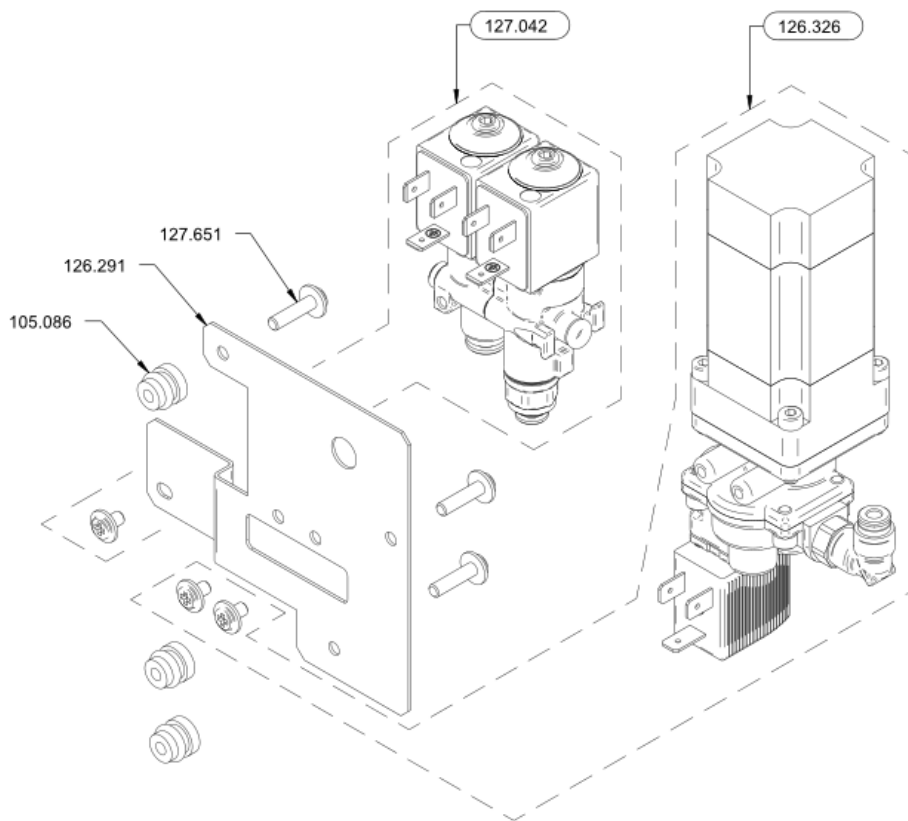
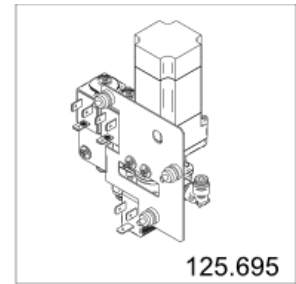
1.15.1.3.1 Solenoid valve 2/2, $\varnothing 1.4$, 7.5W UL



1.15.1.4 Milkpump unit with cleaningblock

Article no.	Description	Quantity
105.086	Rubber mounting bush M4	3
126.291	Pumpsupport Milkpump	1
126.326	Milk pump INOX with motor assy.	1
127.042	Cleaning block without air inlet set	1
127.651	Oval-head screw M4x16 Phillips	3

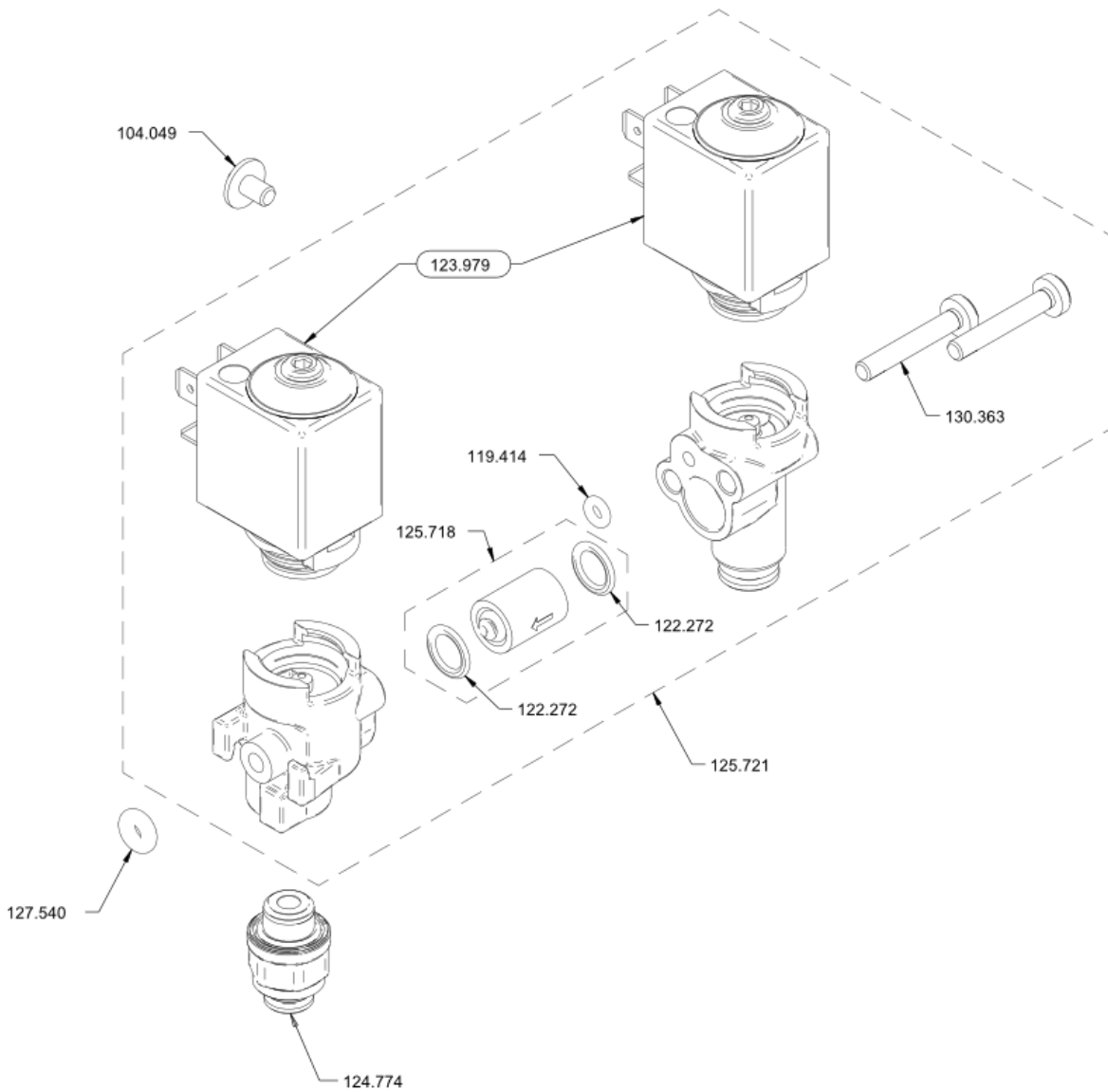
1.15.1.4 Milkpump unit with cleaningblock



1.15.1.4.1 Cleaning block without air inlet set

Article no.	Description	Quantity
104.049	Oval head screw M4x6 Phillips	1
119.414	O-Ring 2.90x1.78 EPDM 291	1
122.272	O-Ring 8.00x1.50 EPDM 75.5/KW75F	2
123.979	Solenoid valve 2/2, \varnothing 1.4, 7.5W UL	2
124.774	Straight connector 4- Flow reducer	1
125.718	Check valve cleaning block	1
125.721	Cleaning block without air inlet assy.	1
127.540	O-Ring 3.00x3.00 EPDM 75.5/KW75F	1
130.363	Oval head screw Phil H M4x25 Eslok	2

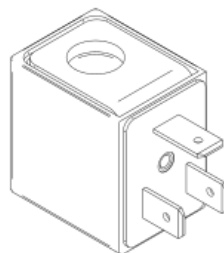
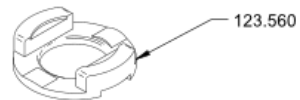
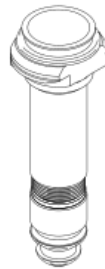
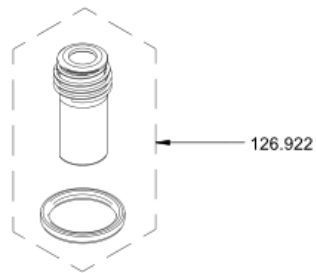
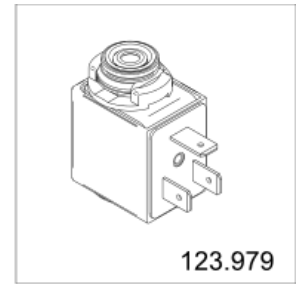
1.15.1.4.1 Cleaning block without air inlet set



1.15.1.4.1.1 Solenoid valve 2/2, ø1.4, 7.5W UL

Article no.	Description	Quantity
123.560	Supporting ring	1
123.561	Protection cap	1
123.562	Spring to magnet valve	1
126.922	Plunger kit 2/2 ø1.4	1

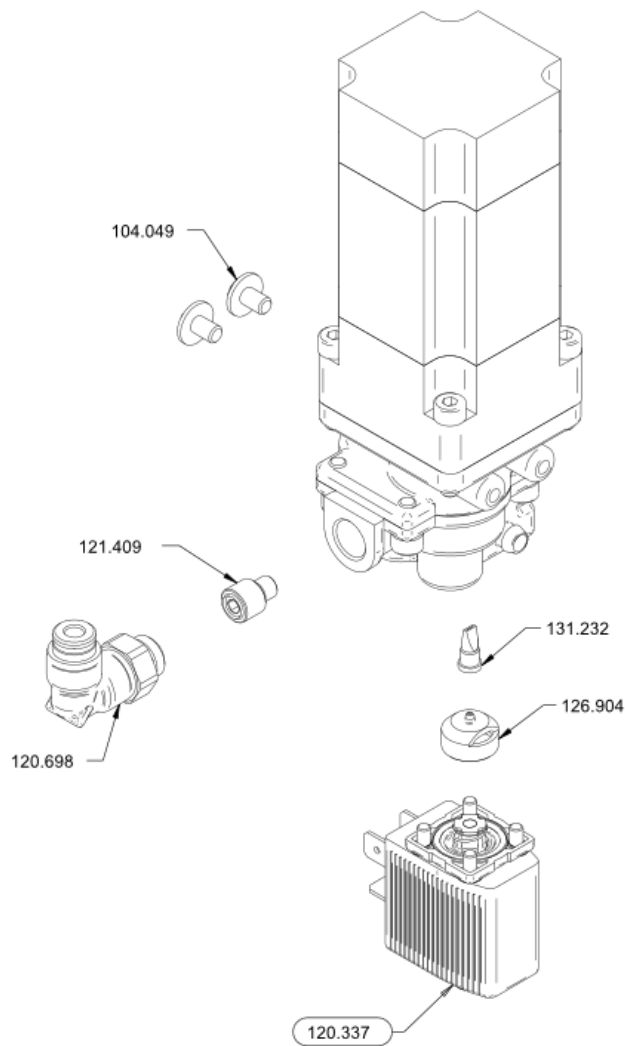
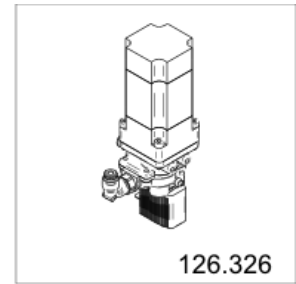
1.15.1.4.1.1 Solenoid valve 2/2, $\varnothing 1.4$, 7.5W UL



1.15.1.4.2 Milk pump INOX with motor assy.

Article no.	Description	Quantity
104.049	Oval head screw M4x6 Phillips	2
120.337	3/2 mini solenoid valve, assy.	1
120.698	Elbow connector 4-1/8	1
121.409	Nozzle to milk pump PEEK	1
126.904	Support duckbill	1
131.232	Check valve duckbill light blue	1

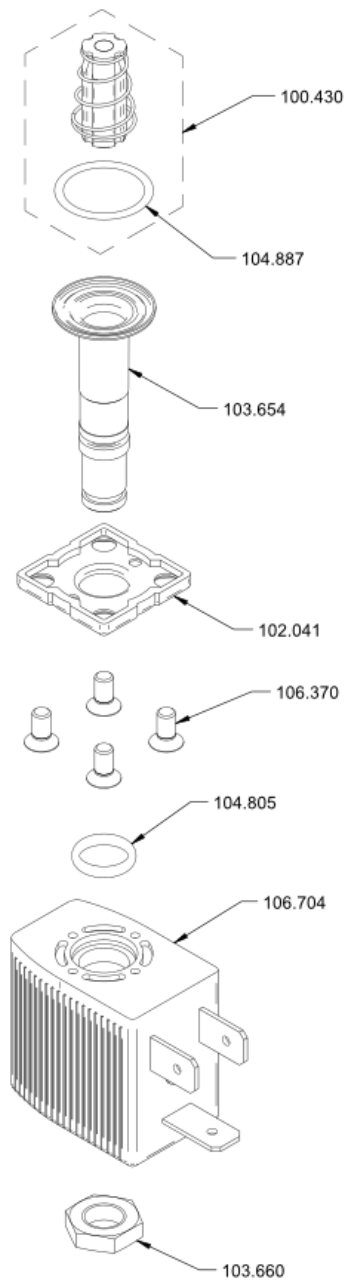
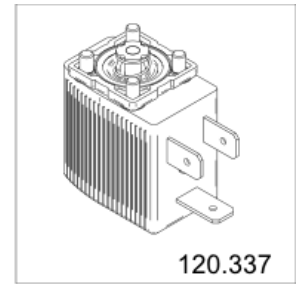
1.15.1.4.2 Milk pump INOX with motor assy.



1.15.1.4.2.1 3/2 mini solenoid valve, assy.

Article no.	Description	Quantity
100.430	Set 3/2 valve plunger with gasket	1
102.041	Flange for mini-valve	1
103.654	Plunger guide 3/2 ways mini-valve	1
103.660	Nut for mini-valve	1
104.805	O-Ring 7.50x1.50 EPDM	1
104.887	O-Ring 13.00x1.30 EPDM	1
106.370	Countersunk screw M3x6 Torx	4
106.704	Coil for mini-valve	1

1.15.1.4.2.1 3/2 mini solenoid valve, assy.



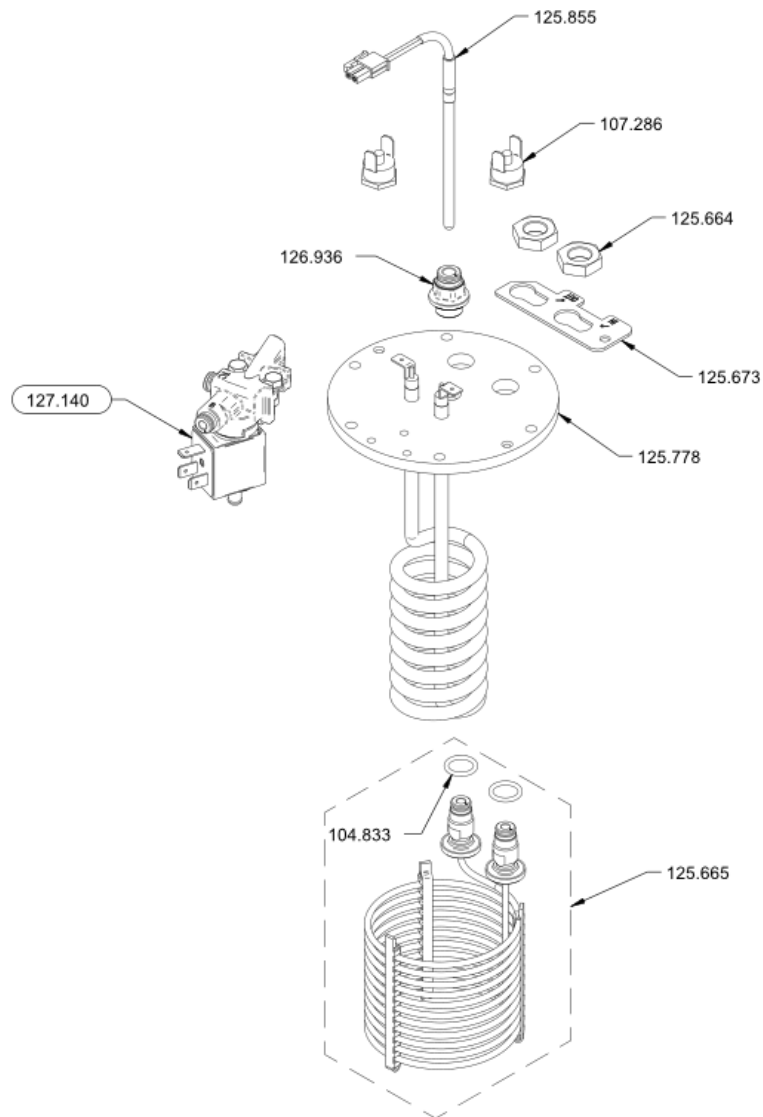
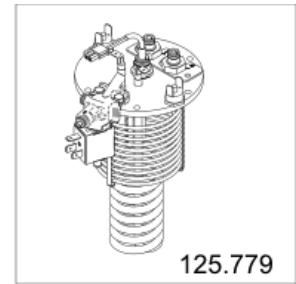
1.15.2 Boiler BW4c CTM 2.5kW 1Wi. assy.

Article no.	Description	Quantity
103.236	Cable tie 550x8.9	1
106.226	Hexagon head cap screw M5x12	6
120.694	Straight connector 4-1/8	1
125.393	O-Ring 85.00x2.50 EPDM 291	1
125.779	Boiler cap BW4c CTM 2.5kW 11Wi. set	1
127.593	Isolation boiler 1Liter set	1

1.15.2.1 Boiler cap BW4c CTM 2.5kW 11Wi. set

Article no.	Description	Quantity
104.833	O-Ring 12.00x2.00 EPDM 75.5/KW75 F	2
107.286	Thermal security 125°C HM	2
125.664	Screw to milk wendel	2
125.665	Milk coil 11Wi. set	1
125.673	Anti-twist plate	1
125.778	Boiler cap BW4c CTM 2.5kW assy.	1
125.855	Temperatursensor pluggable assy.	1
126.936	Straight connector 6-1/4-5.1	1
127.140	Valve block boiler set	1

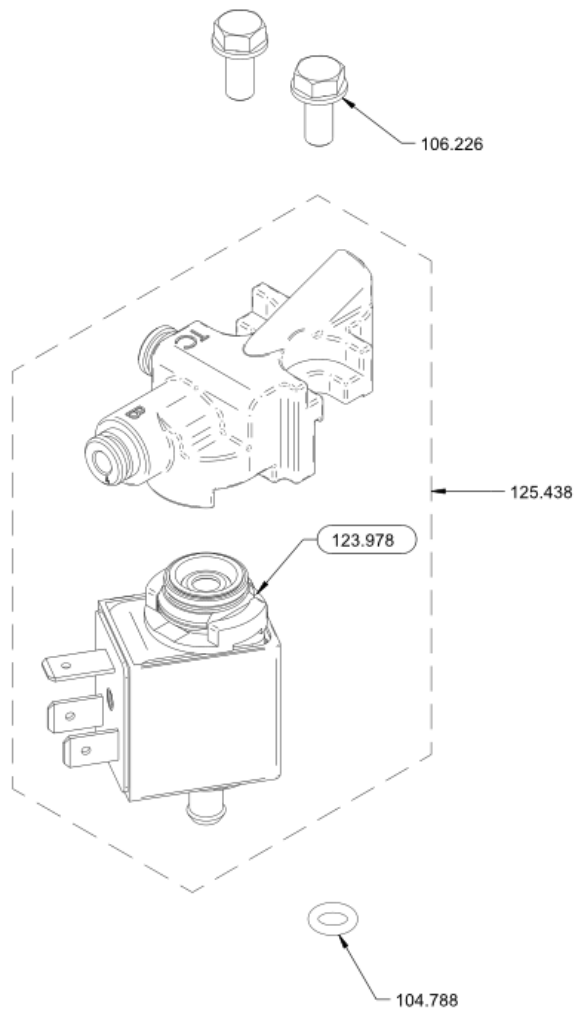
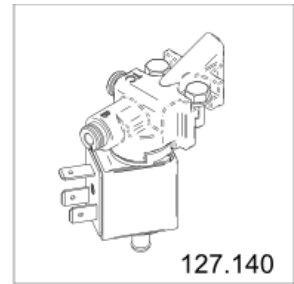
1.15.2.1 Boiler cap BW4c CTM 2.5kW 11Wi. set



1.15.2.1.1 Valve block boiler set

Article no.	Description	Quantity
104.788	O-Ring 5.28x1.78 EPDM 291	1
106.226	Hexagon head cap screw M5x12	2
123.978	Solenoid valve 3/2, \varnothing 1.4, 7.5W UL	1
125.438	Valve block boiler assy.	1

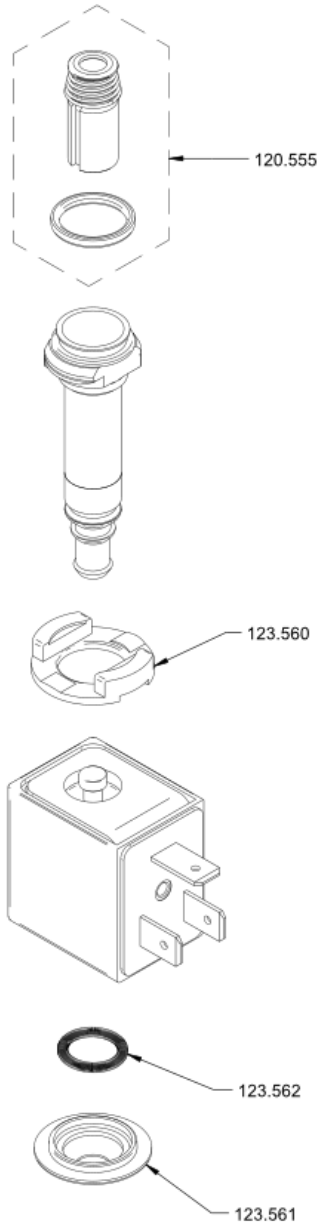
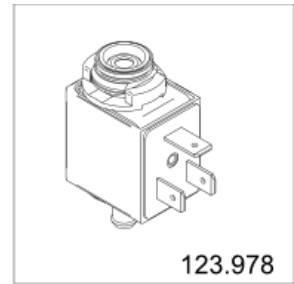
1.15.2.1.1 Valve block boiler set



1.15.2.1.1.1 Solenoid valve 3/2, ø1.4, 7.5W UL

Article no.	Description	Quantity
120.555	Plunger kit 3/2	1
123.560	Supporting ring	1
123.561	Protection cap	1
123.562	Spring to magnet valve	1

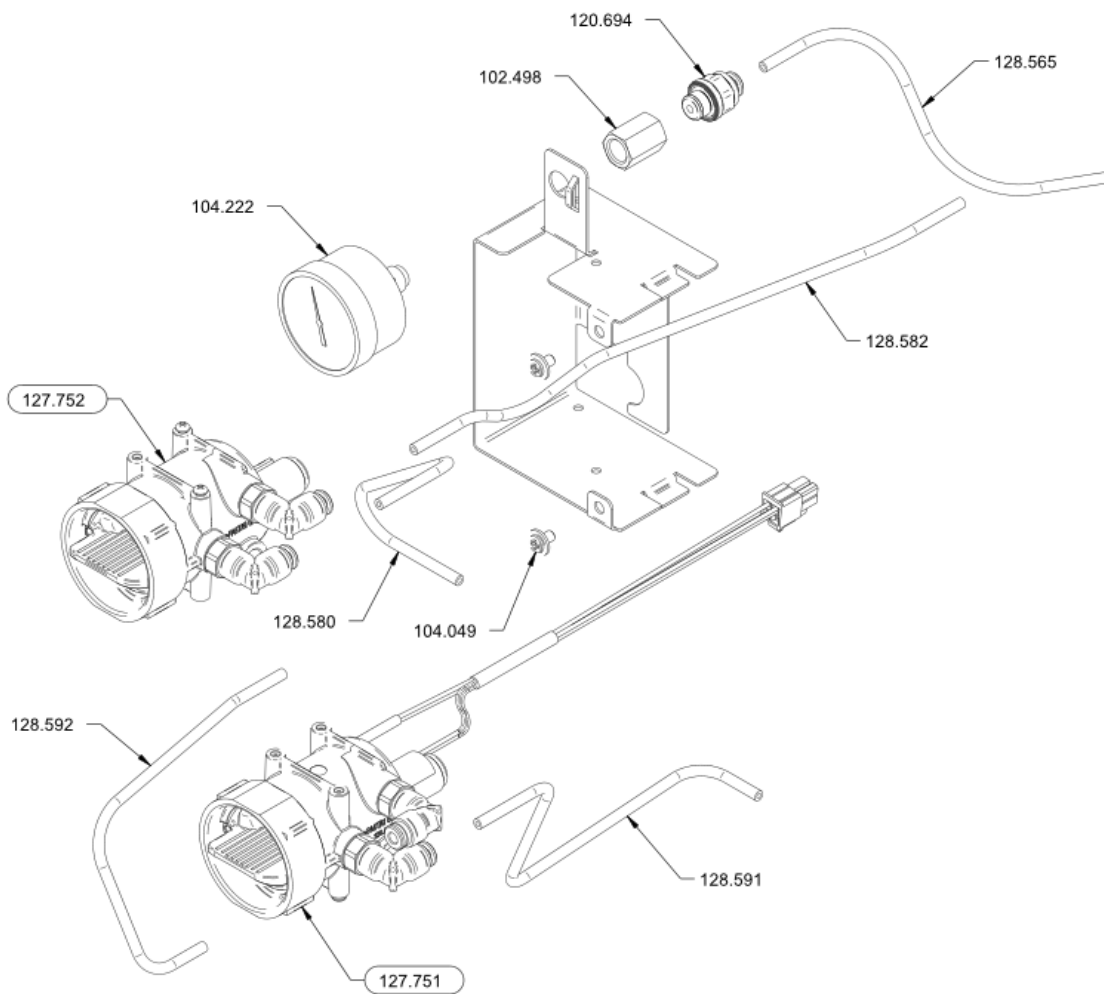
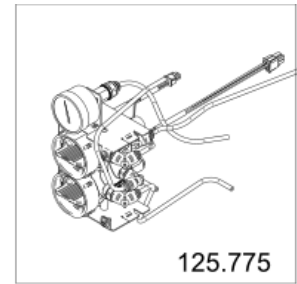
1.15.2.1.1.1 Solenoid valve 3/2, $\varnothing 1.4$, 7.5W UL



1.15.3 Cleaning system CTM assy.

Article no.	Description	Quantity
102.498	Threaded bushing 1/8"	1
104.049	Oval head screw M4x6 Phillips	2
104.222	Manometer, 0 to 16 bar	1
120.694	Straight connector 4-1/8	1
127.751	Milkcleaningsystem BW4c set	1
127.752	Coffeecleaningsystem BW4c set	1
128.565	FEP pipe $\varnothing 4/2$ x 170mm	1
128.580	FEP pipe $\varnothing 4/2$ x 180mm	1
128.582	FEP pipe $\varnothing 4/2$ x 260mm	1
128.591	FEP pipe $\varnothing 4/2$ x 230mm	1
128.592	FEP pipe $\varnothing 4/2$ x 170mm	1

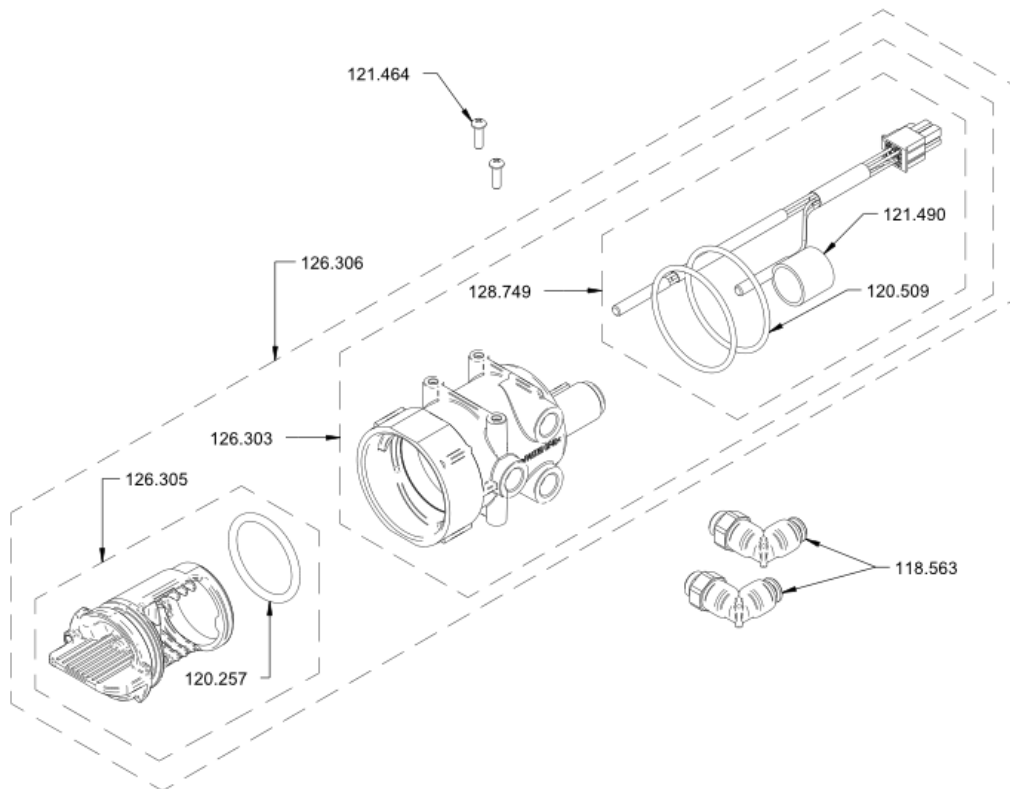
1.15.3 Cleaning system CTM assy.



1.15.3.1 Coffeecleaningsystem BW4c set

Article no.	Description	Quantity
118.563	Elbow connector 4-1/8	2
120.257	O-Ring \varnothing 29.00x3.00 EPDM	1
120.509	O-Ring 38.00x2.00 EPDM	2
121.464	PT screw KA30x10 philips	2
121.490	Sheath thermoretract. 15mm	1
126.303	Cleaning Lock coffee assy.	1
126.305	Cleaningkey Coffee assy.	1
126.306	Coffeecleaningsystem assy.	1
128.749	Reed contact cleaning castle coffee	1

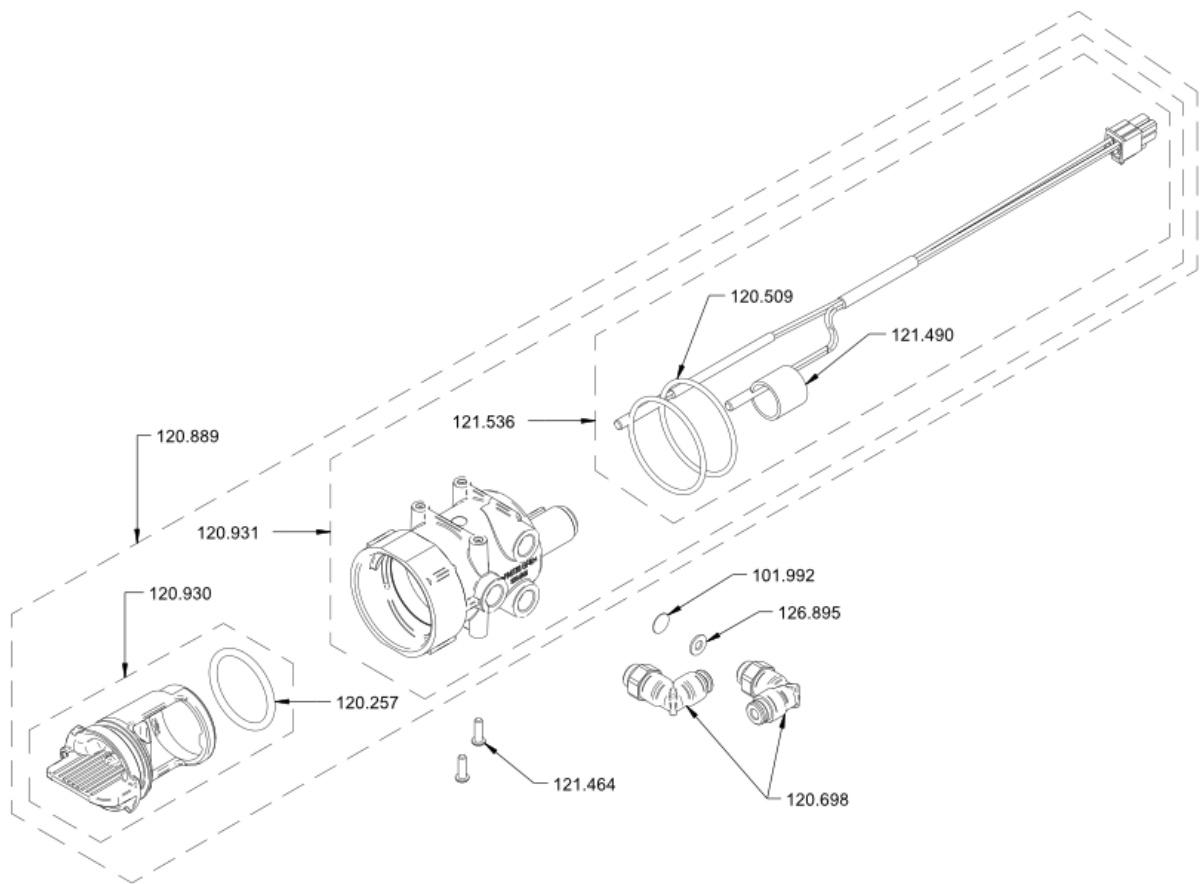
1.15.3.1 Coffeecleaningsystem BW4c set



1.15.3.2 Milkcleaningsystem BW4c set

Article no.	Description	Quantity
101.992	Mesh for Water ø8.5mm	1
120.257	O-Ring ø29.00x3.00 EPDM	1
120.509	O-Ring 38.00x2.00 EPDM	2
120.698	Elbow connector 4-1/8	2
120.889	Cleaning System milkway	1
120.930	Cleaning Key milkway assy.	1
120.931	Cleaning lock milkway set	1
121.464	PT screw KA30x10 philips	2
121.490	Sheath thermoretract. 15mm	1
121.536	Reed switch for cleaning lock milkway	1
126.895	Washer for filter	1

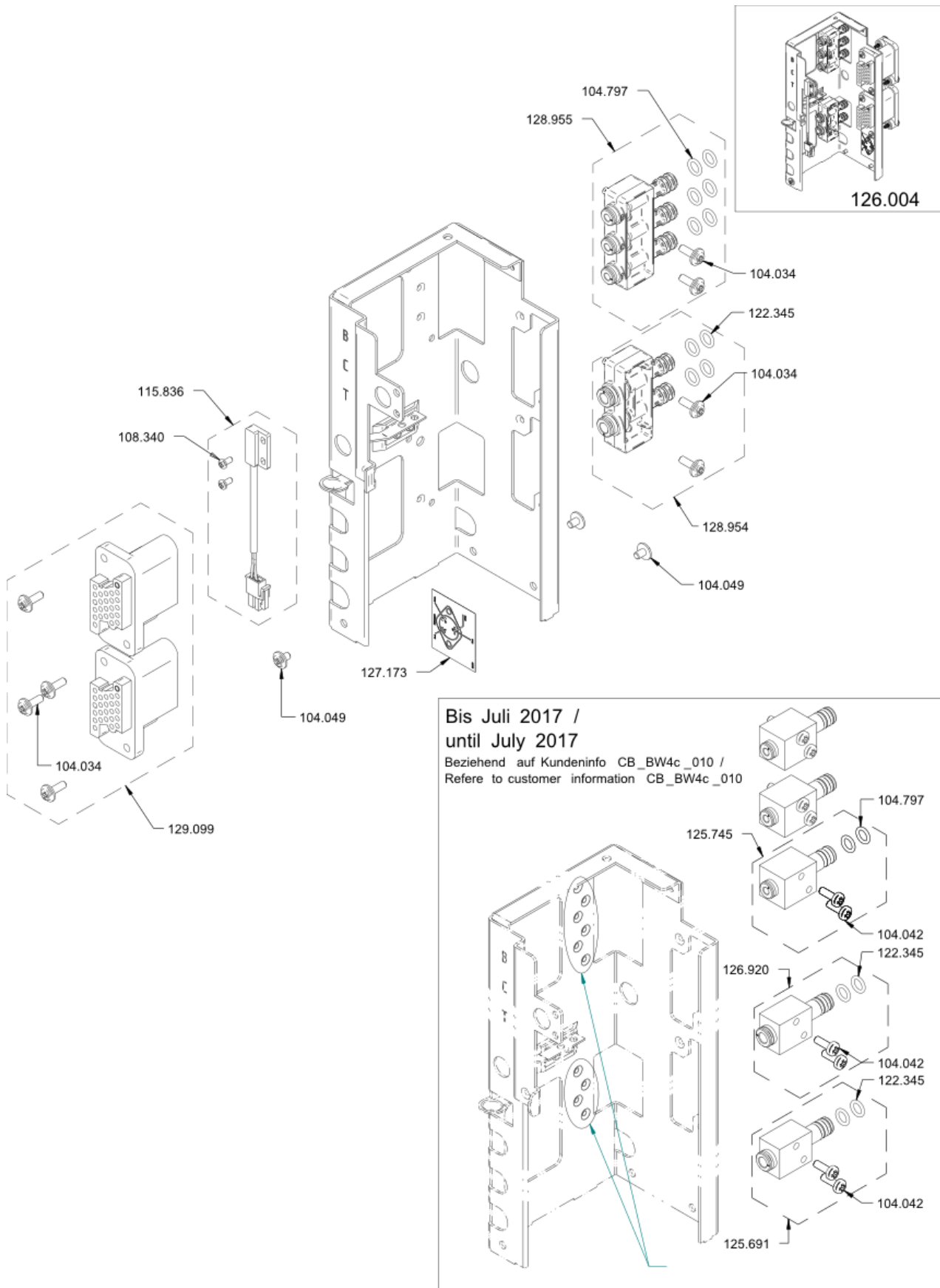
1.15.3.2 Milkcleaningsystem BW4c set



1.15.4 Connector support CTM assy.

Article no.	Description	Quantity
104.034	Oval head screw Phillips M4x12	2
104.034	Oval head screw Phillips M4x12	2
104.034	Oval head screw Phillips M4x12	4
104.042	Oval head screw Phillips M4x25	2
104.042	Oval head screw Phillips M4x25	2
104.042	Oval head screw Phillips M4x25	2
104.049	Oval head screw M4x6 Phillips	3
104.797	O-Ring 6.75x1.78 FKM	6
104.797	O-Ring 6.75x1.78 FKM	2
108.340	Socket head screw M3x6 Phillips	2
115.836	Reed switch with screws	1
122.345	O-Ring 6.75x1.78 EPDM	4
122.345	O-Ring 6.75x1.78 EPDM	2
122.345	O-Ring 6.75x1.78 EPDM	2
125.691	Male connector single ø6 milk	1
125.745	Male connector single ø4 FKM	3
126.920	Male connector single ø6 water	1
127.173	Sticker Triac BW4c	1
128.954	Hydr. male connector double ø6 assy.	1
128.955	Hydr. male connector ø4 assy.	1
129.099	Chassis assy. BW4(c) RL	1

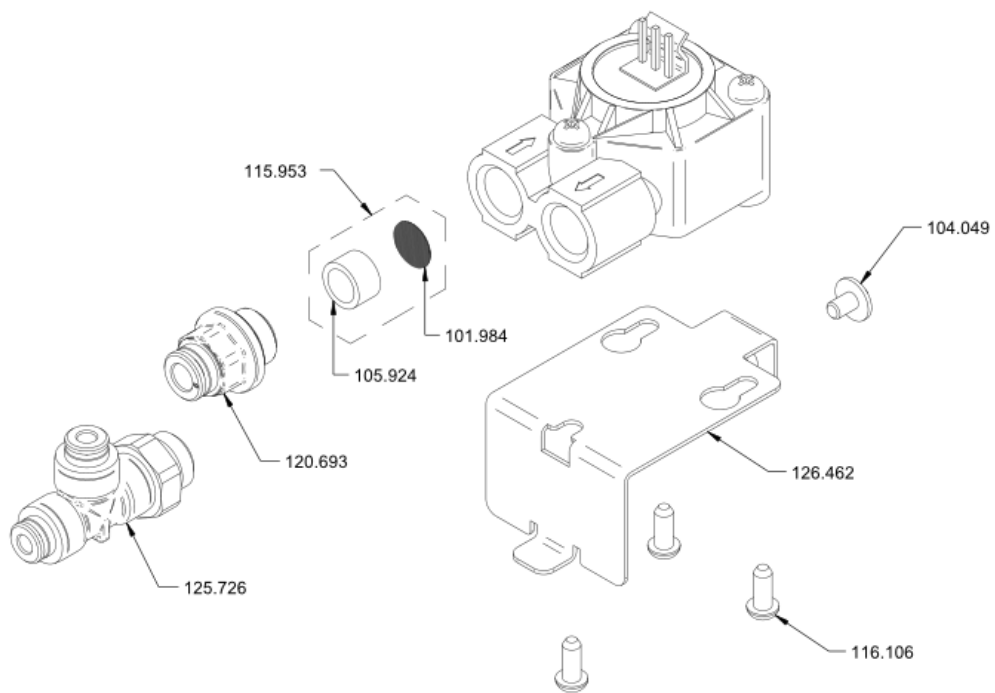
1.15.4 Connector support CTM assy.



1.15.5 Flowmeter assy.

Article no.	Description	Quantity
101.984	Filter for flowmeter 1/4"	1
104.049	Oval head screw M4x6 Phillips	1
105.924	Sleeve	1
115.953	Water strainer flowmeter	1
116.106	PT screw lens head KA40x10	3
120.693	Straight fitting M1/4- ø6	1
125.726	L-connector ø4-1/4	1
126.462	Support to flowmeter	1

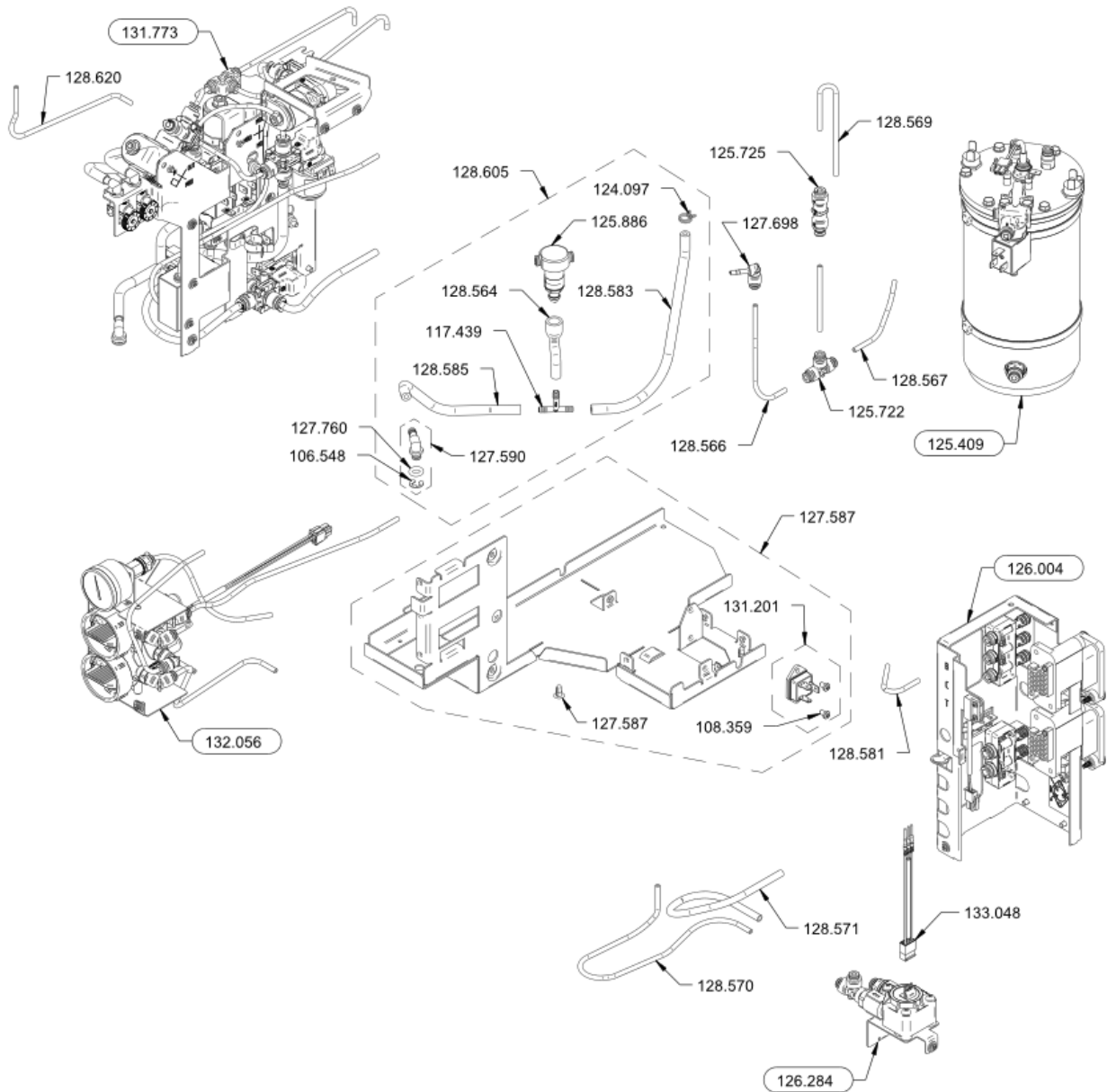
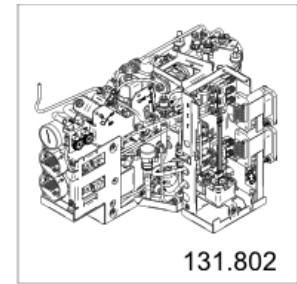
1.15.5 Flowmeter assy.



1.16 Hydraulic module BW4c CTM 2.5kW cold milk

Article no.	Description	Quantity
106.548	Circlip for shaft ø6	1
108.359	Socket flat head screw M4x6	2
117.439	T-Connector (PP) for tube ø4mm	1
124.097	Clip for silicone hose ø9.6mm	1
125.409	Boiler BW4c CTM 2.5kW 1Wi. assy.	1
125.722	T-connector 3x ø4	1
125.725	Check valve ø4	1
125.886	Safety valve 13.0 bar assy.	1
126.004	Connector support CTM assy.	1
126.284	Flowmeter assy.	1
127.587	Base chassis hydraulic assy.	1
127.590	Drain elbow hydraulic set	1
127.698	Elbow connector 4-4	1
127.760	O-Ring 07.00x3.00 NBR NT 70.11	1
128.564	Silicone hose ø8.5/4 x 60mm	1
128.566	FEP pipe ø4/2 x 110mm	1
128.567	FEP pipe ø4/2 x 50mm	1
128.569	FEP pipe ø4/2 x 150mm	1
128.570	FEP pipe ø4/2 x 270mm	1
128.571	FEP pipe ø6/4 x 220mm	1
128.581	FEP pipe ø4/2 x 90mm	1
128.583	Silicone hose ø8.5/4 x 230mm	1
128.585	Silicone hose ø8.5/4 x 140mm	1
128.605	Drain tube coffee assy.	1
128.620	FEP pipe ø4/2 x 200mm	1
131.201	Set Triac	1
131.773	Valve+Pump Support assy. cold milk	1
132.056	Cleaning system CTM assy. cold milk	1
133.048	Harness repair kit Flowmeter BW4c	1

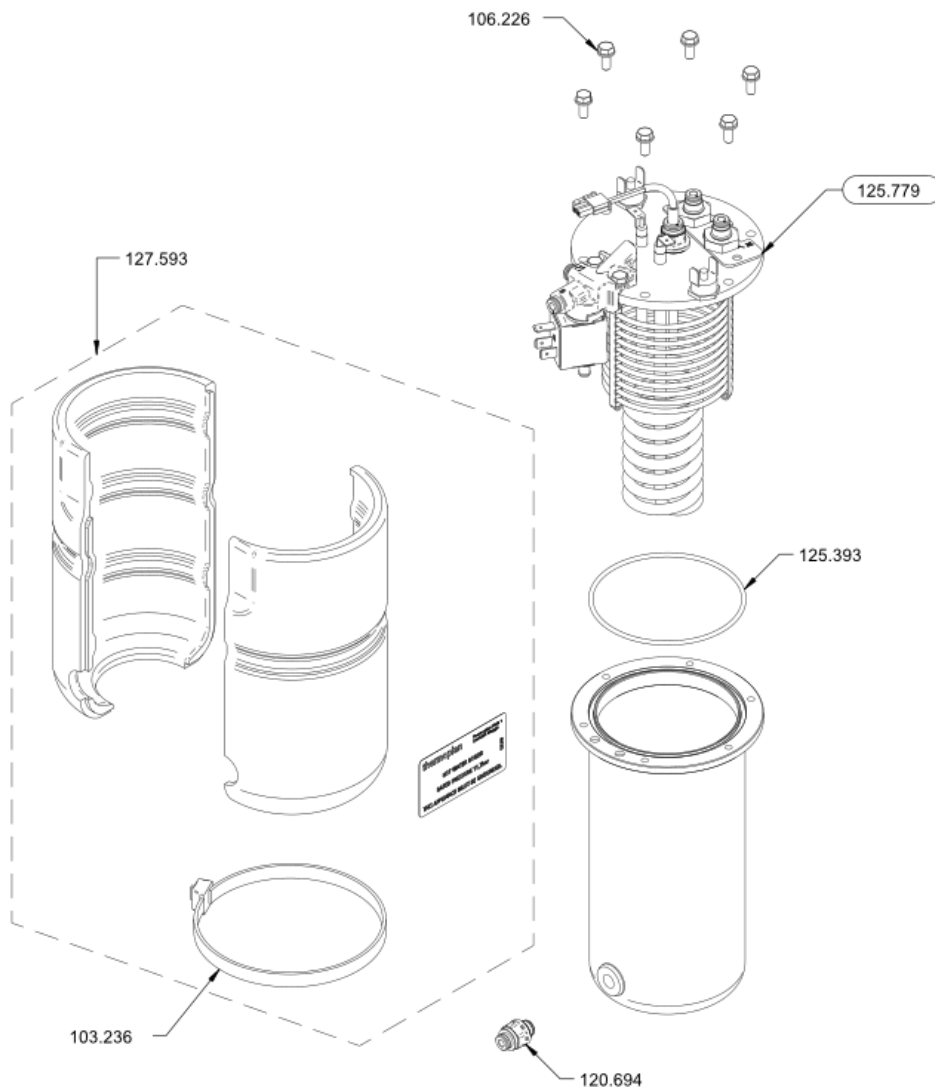
1.16 Hydraulic module BW4c CTM 2.5kW cold milk



1.16.1 Boiler BW4c CTM 2.5kW 1Wi. assy.

Article no.	Description	Quantity
103.236	Cable tie 550x8.9	1
106.226	Hexagon head cap screw M5x12	6
120.694	Straight connector 4-1/8	1
125.393	O-Ring 85.00x2.50 EPDM 291	1
125.779	Boiler cap BW4c CTM 2.5kW 11Wi. set	1
127.593	Isolation boiler 1Liter set	1

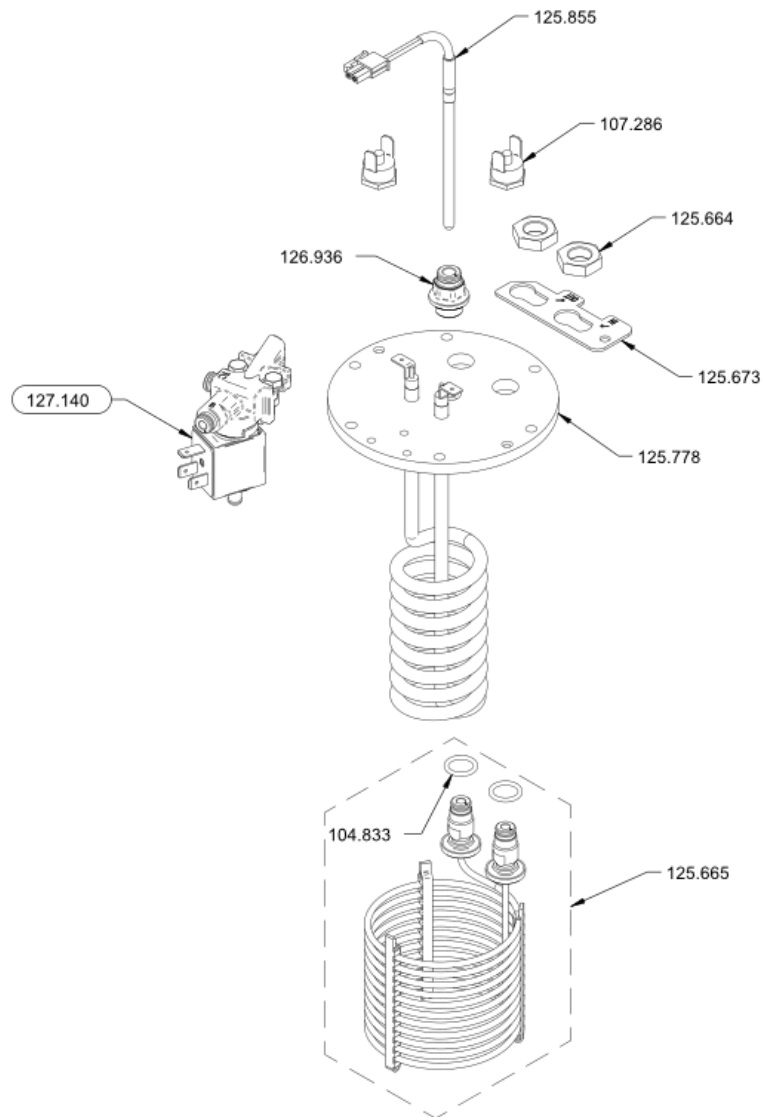
1.16.1 Boiler BW4c CTM 2.5kW 1Wi. assy.



1.16.1.1 Boiler cap BW4c CTM 2.5kW 11Wi. set

Article no.	Description	Quantity
104.833	O-Ring 12.00x2.00 EPDM 75.5/KW75 F	2
107.286	Thermal security 125°C HM	2
125.664	Screw to milk wendel	2
125.665	Milk coil 11Wi. set	1
125.673	Anti-twist plate	1
125.778	Boiler cap BW4c CTM 2.5kW assy.	1
125.855	Temperatursensor pluggable assy.	1
126.936	Straight connector 6-1/4-5.1	1
127.140	Valve block boiler set	1

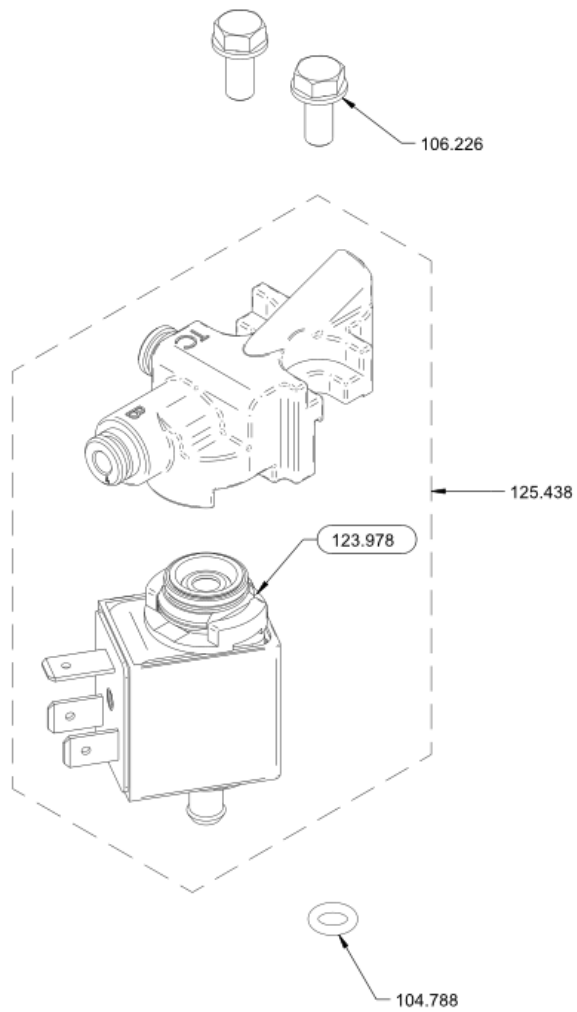
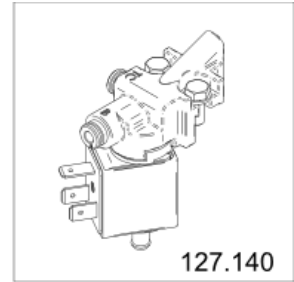
1.16.1.1 Boiler cap BW4c CTM 2.5kW 11Wi. set



1.16.1.1.1 Valve block boiler set

Article no.	Description	Quantity
104.788	O-Ring 5.28x1.78 EPDM 291	1
106.226	Hexagon head cap screw M5x12	2
123.978	Solenoid valve 3/2, \varnothing 1.4, 7.5W UL	1
125.438	Valve block boiler assy.	1

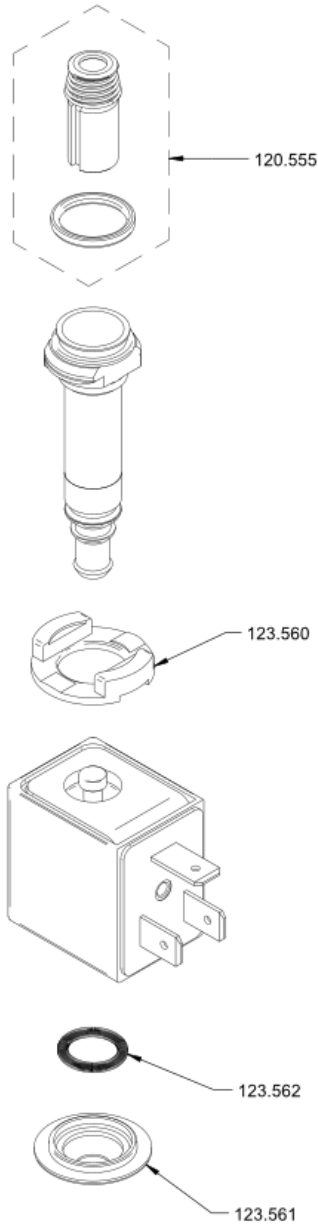
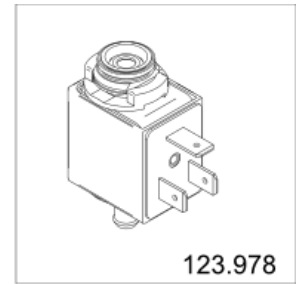
1.16.1.1.1 Valve block boiler set



1.16.1.1.1.1 Solenoid valve 3/2, ø1.4, 7.5W UL

Article no.	Description	Quantity
120.555	Plunger kit 3/2	1
123.560	Supporting ring	1
123.561	Protection cap	1
123.562	Spring to magnet valve	1

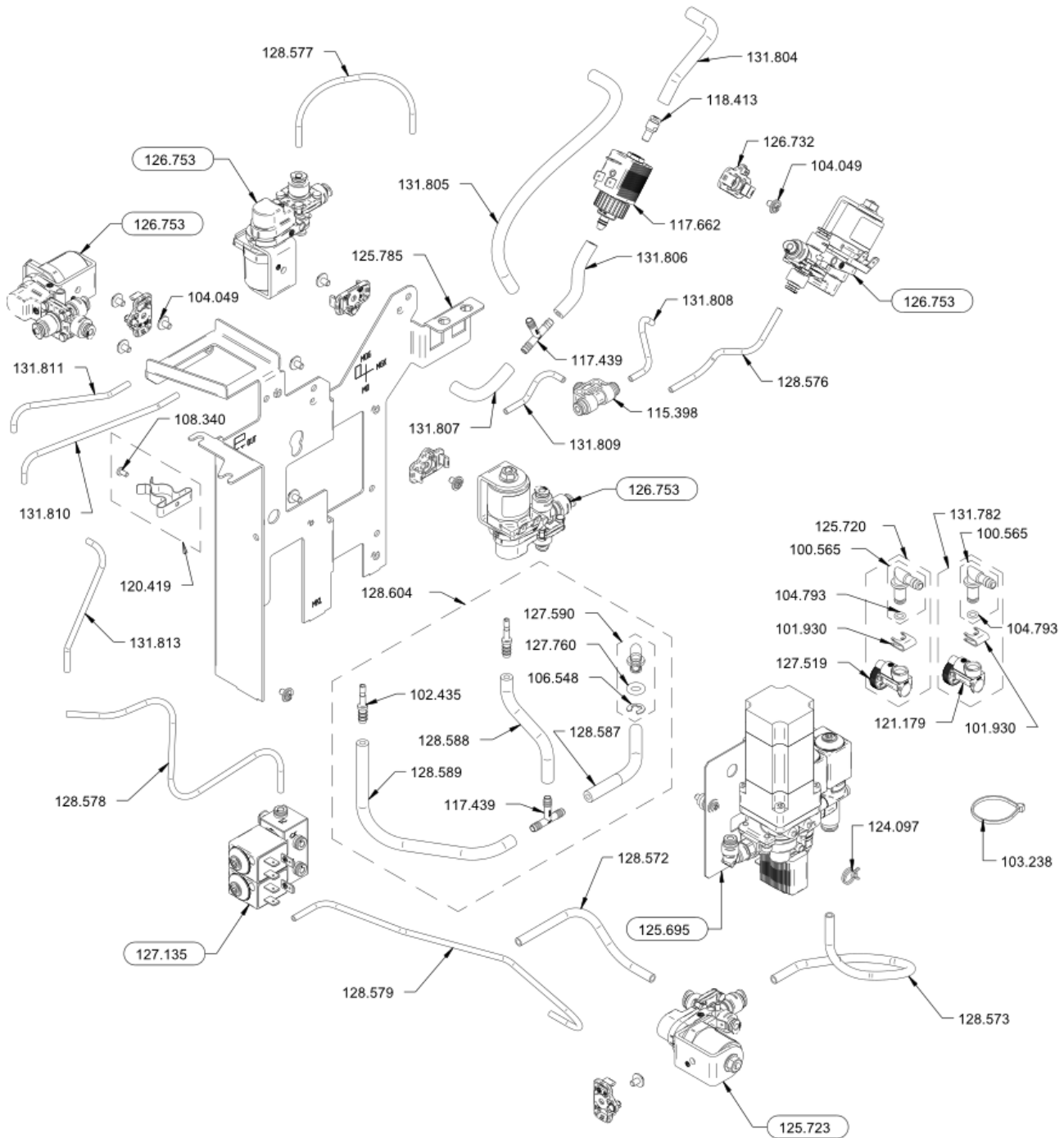
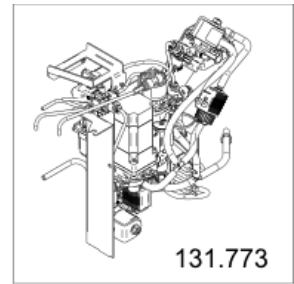
1.16.1.1.1.1 Solenoid valve 3/2, $\varnothing 1.4$, 7.5W UL



1.16.2 Valve+Pump Support assy. cold milk

Article no.	Description	Quantity
100.565	Angle connection, assembly	1
100.565	Angle connection, assembly	1
101.930	Spring clip	1
101.930	Spring clip	1
102.435	Straight connection ø4	2
103.238	Cable tie 85/22	1
104.049	Oval head screw M4x6 Phillips	9
104.793	O-Ring 5.00x1.50 MVQ	1
104.793	O-Ring 5.00x1.50 MVQ	1
106.548	Circlip for shaft ø6	1
108.340	Socket head screw M3x6 Phillips	1
115.398	T-connection 4-4 PVDF	1
117.439	T-Connector (PP) for tube ø4mm	1
117.439	T-Connector (PP) for tube ø4mm	1
117.662	Air mini-valve	1
118.413	Aircontroller support	1
120.419	Tool clip ø16-19 set	1
121.179	Air regulator light blue 0.0mm	1
124.097	Clip for silicone hose ø9.6mm	1
125.695	Milkpump unit with cleaningblock	1
125.720	Aircontroller BW4c assy.	1
125.723	Lever valve 3/2 ø6.0 DN4	1
125.785	Center support hydraulic	1
126.732	Flange wide	4
126.753	Lever valve 3/2 ø4.0 DN3	4
127.135	Tea and cleanvalve set	1
127.519	Air regulator brown 0.5mm	1
127.590	Drain elbow hydraulic set	1
127.760	O-Ring 07.00x3.00 NBR NT 70.11	1
128.572	FEP pipe ø6/4 x 140mm	1
128.573	FEP pipe ø6/4 x 160mm	1
128.576	FEP pipe ø4/2 x 110mm	1
128.577	FEP pipe ø4/2 x 150mm	1
128.578	FEP pipe ø4/2 x 280mm	1
128.579	FEP pipe ø4/2 x 310mm	1
128.587	Silicone hose ø8.5/4 x 90mm	1
128.588	Silicone hose ø8.5/4 x 90mm	1
128.589	Silicone hose ø8.5/4 x 160mm	1
128.604	Drain tube milk assy.	1
131.782	Aircontroller BW4c assy. blue	1
131.804	Silicone hose ø8.5/4 x 85mm	1
131.805	Silicone hose ø8.5/4 x 185mm	1
131.806	Silicone hose ø8.5/4 x 65mm	1
131.807	Silicone hose ø8.5/4 x 55mm	1
131.808	FEP pipe ø4/2 x 80mm	1
131.809	FEP pipe ø4/2 x 60mm	1
131.810	FEP pipe ø4/2 x 165mm	1
131.811	FEP pipe ø4/2 x 120mm	1
131.813	FEP pipe ø4/2 x 155mm	1

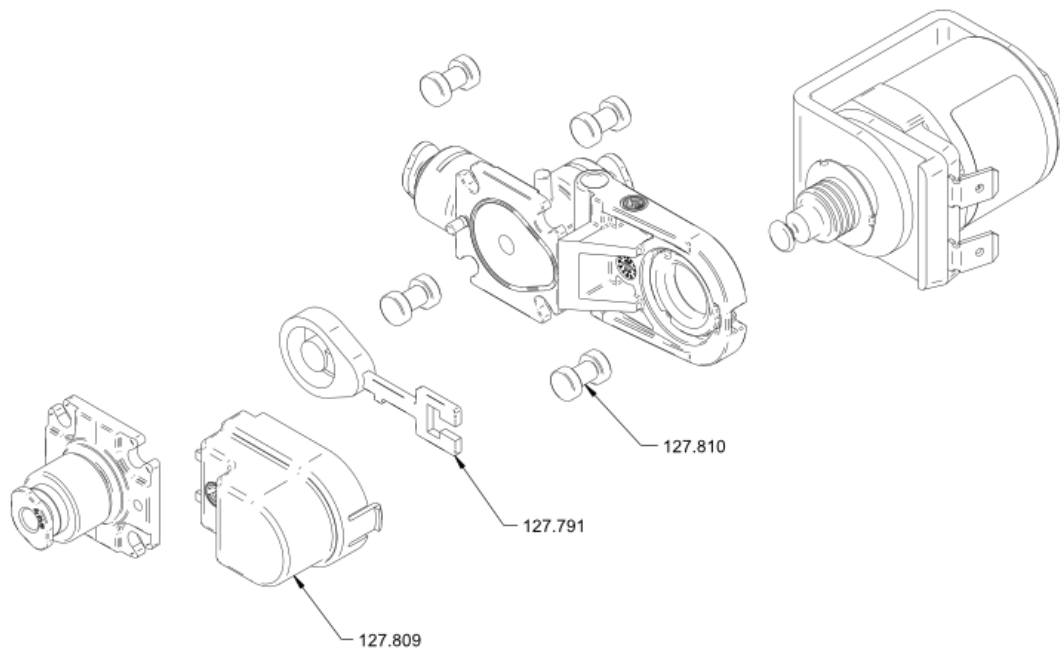
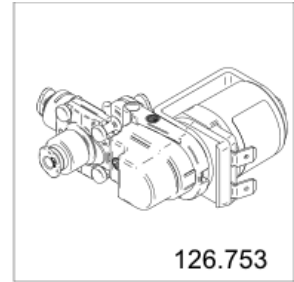
1.16.2 Valve+Pump Support assy. cold milk



1.16.2.1 Lever valve 3/2 ø4.0 DN3

Article no.	Description	Quantity
127.791	Ringmembrane lever valve 3/2 EPDM	1
127.809	Cover to lever valve	1
127.810	Clip	4

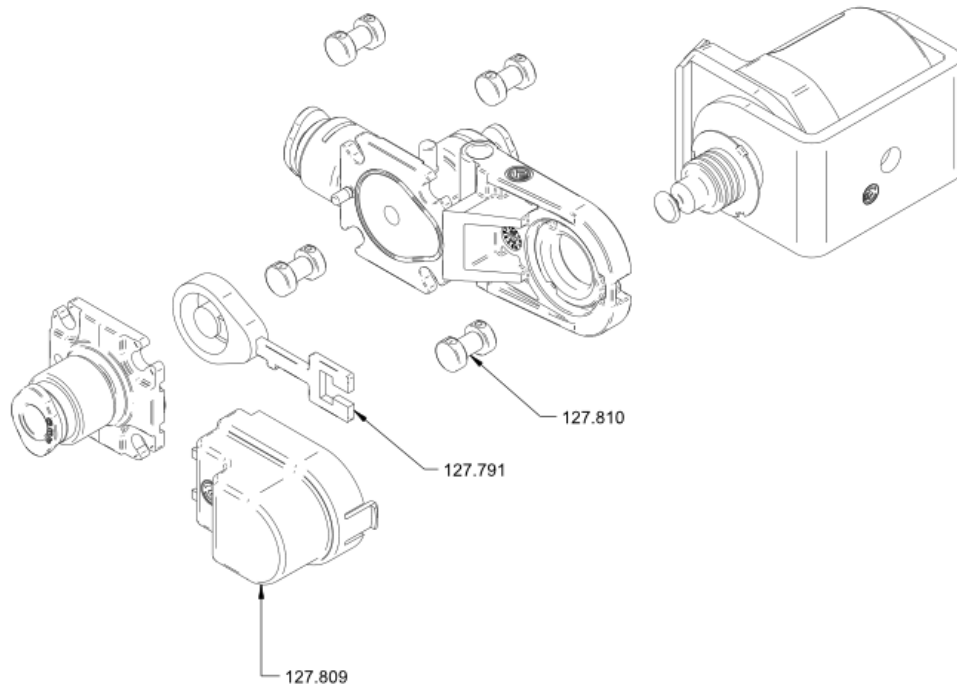
1.16.2.1 Lever valve 3/2 ø4.0 DN3



1.16.2.2 Lever valve 3/2 ø6.0 DN4

Article no.	Description	Quantity
127.791	Ringmembrane lever valve 3/2 EPDM	1
127.809	Cover to lever valve	1
127.810	Clip	4

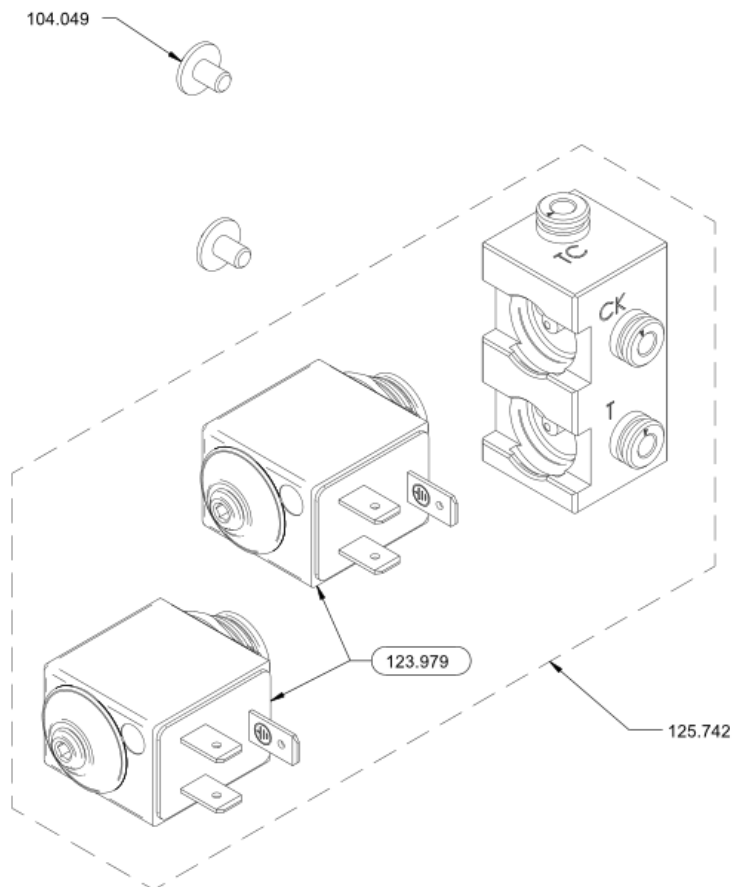
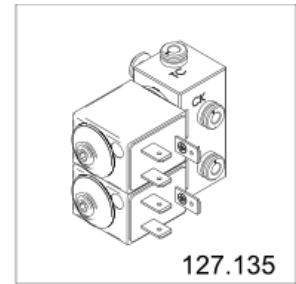
1.16.2.2 Lever valve 3/2 ø6.0 DN4



1.16.2.3 Tea and cleanvalve set

Article no.	Description	Quantity
104.049	Oval head screw M4x6 Phillips	2
123.979	Solenoid valve 2/2, \varnothing 1.4, 7.5W UL	2
125.742	Tea and cleanvalve assy.	1

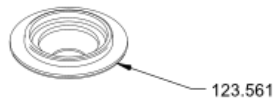
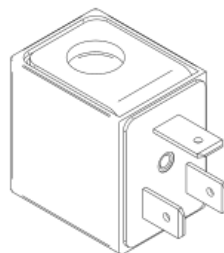
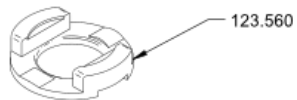
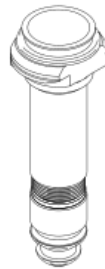
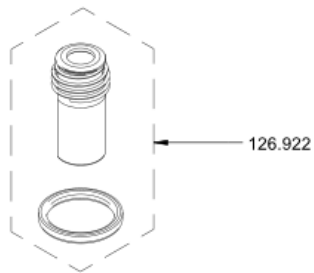
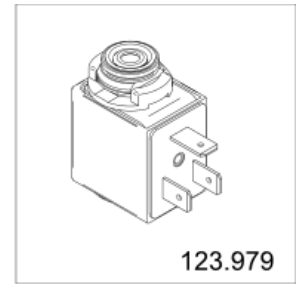
1.16.2.3 Tea and cleanvalve set



1.16.2.3.1 Solenoid valve 2/2, ø1.4, 7.5W UL

Article no.	Description	Quantity
123.560	Supporting ring	1
123.561	Protection cap	1
123.562	Spring to magnet valve	1
126.922	Plunger kit 2/2 ø1.4	1

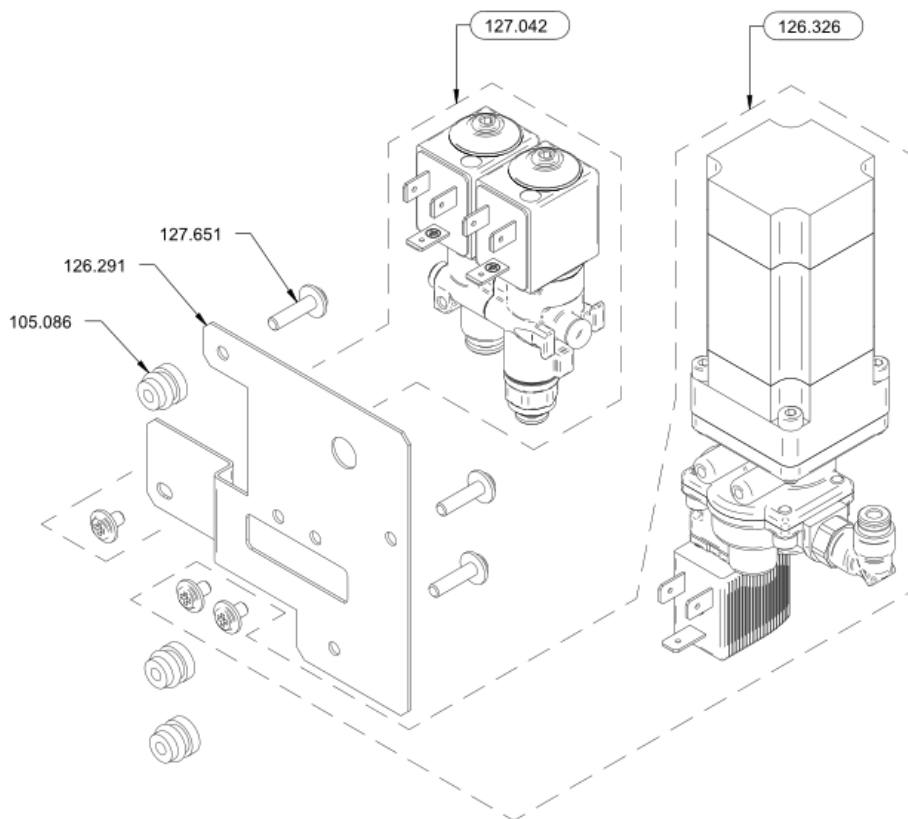
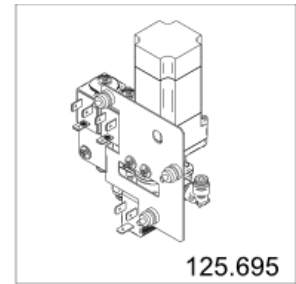
1.16.2.3.1 Solenoid valve 2/2, $\varnothing 1.4$, 7.5W UL



1.16.2.4 Milkpump unit with cleaningblock

Article no.	Description	Quantity
105.086	Rubber mounting bush M4	3
126.291	Pumpsupport Milkpump	1
126.326	Milk pump INOX with motor assy.	1
127.042	Cleaning block without air inlet set	1
127.651	Oval-head screw M4x16 Phillips	3

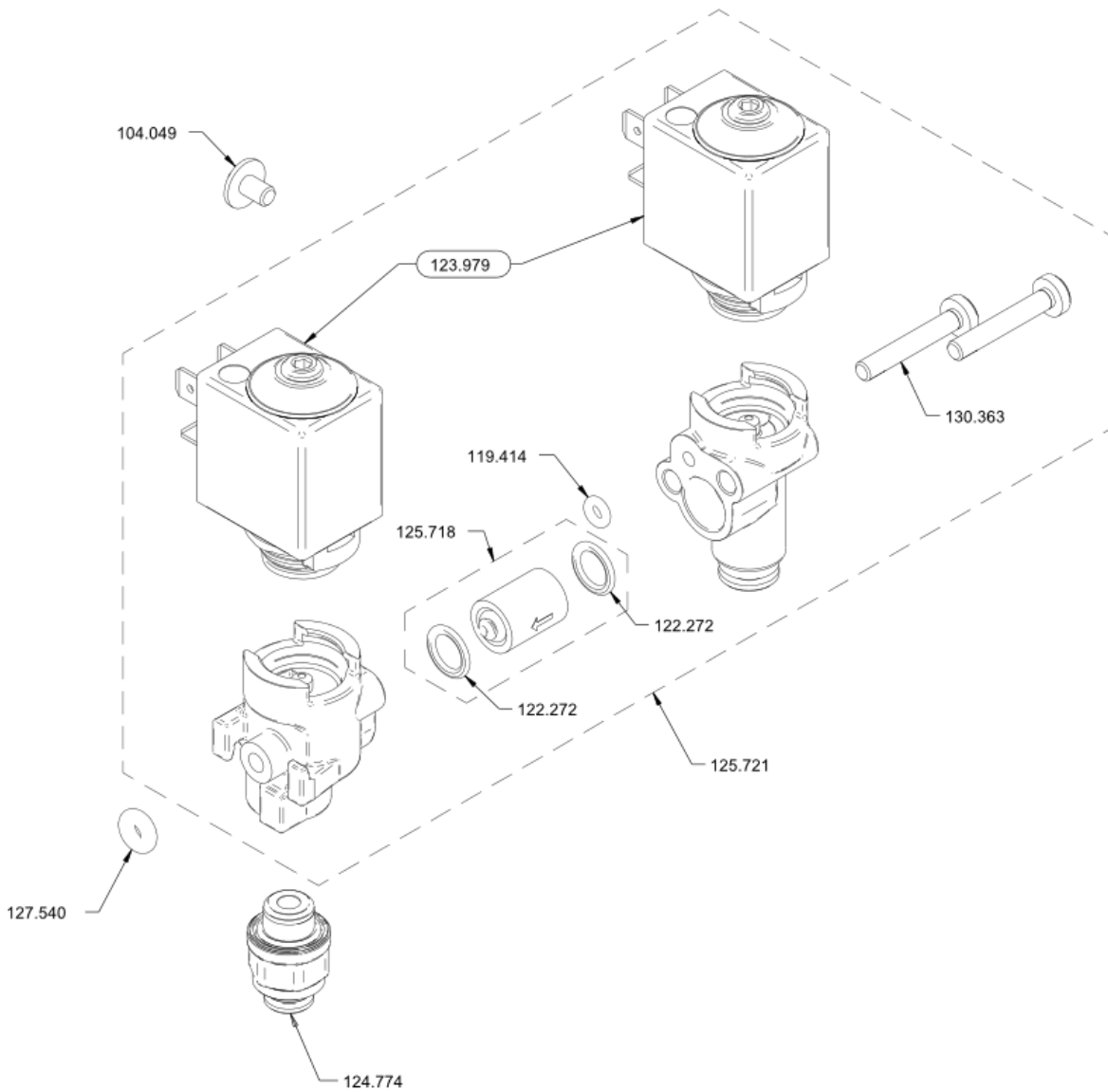
1.16.2.4 Milkpump unit with cleaningblock



1.16.2.4.1 Cleaning block without air inlet set

Article no.	Description	Quantity
104.049	Oval head screw M4x6 Phillips	1
119.414	O-Ring 2.90x1.78 EPDM 291	1
122.272	O-Ring 8.00x1.50 EPDM 75.5/KW75F	2
123.979	Solenoid valve 2/2, \varnothing 1.4, 7.5W UL	2
124.774	Straight connector 4- Flow reducer	1
125.718	Check valve cleaning block	1
125.721	Cleaning block without air inlet assy.	1
127.540	O-Ring 3.00x3.00 EPDM 75.5/KW75F	1
130.363	Oval head screw Phil H M4x25 Eslok	2

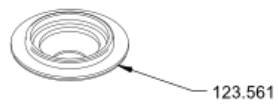
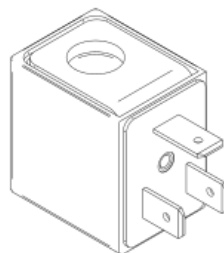
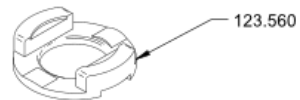
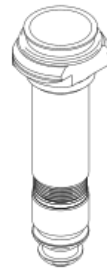
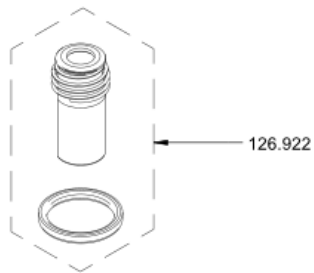
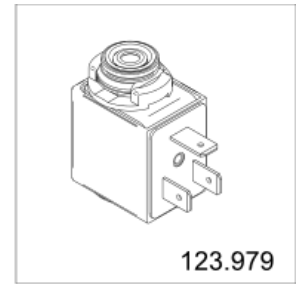
1.16.2.4.1 Cleaning block without air inlet set



1.16.2.4.1.1 Solenoid valve 2/2, ø1.4, 7.5W UL

Article no.	Description	Quantity
123.560	Supporting ring	1
123.561	Protection cap	1
123.562	Spring to magnet valve	1
126.922	Plunger kit 2/2 ø1.4	1

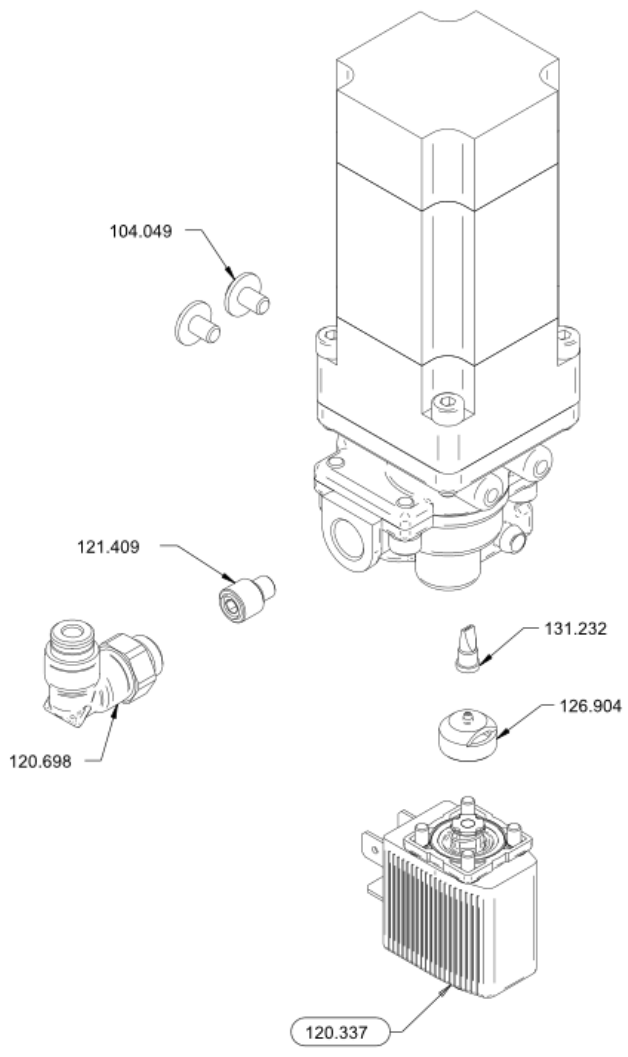
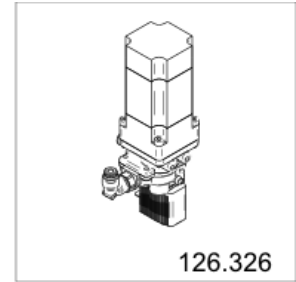
1.16.2.4.1.1 Solenoid valve 2/2, $\varnothing 1.4$, 7.5W UL



1.16.2.4.2 Milk pump INOX with motor assy.

Article no.	Description	Quantity
104.049	Oval head screw M4x6 Phillips	2
120.337	3/2 mini solenoid valve, assy.	1
120.698	Elbow connector 4-1/8	1
121.409	Nozzle to milk pump PEEK	1
126.904	Support duckbill	1
131.232	Check valve duckbill light blue	1

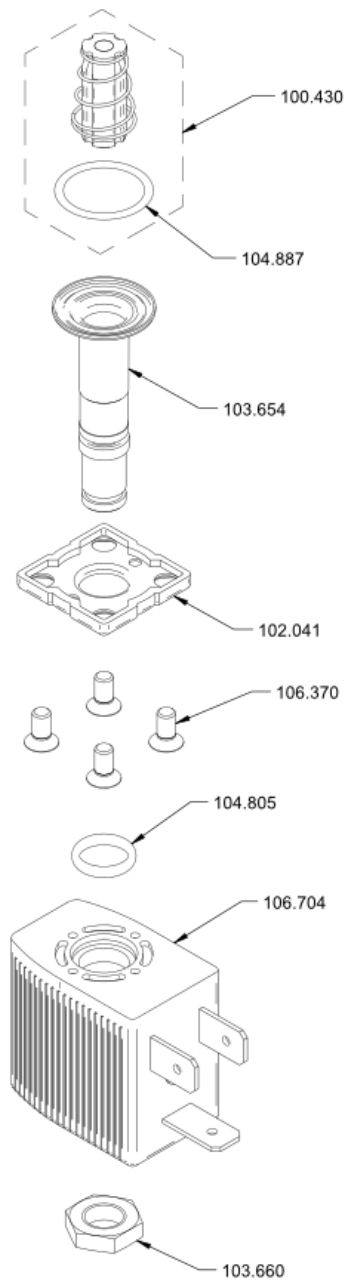
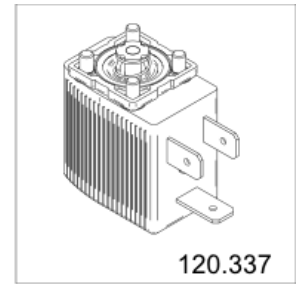
1.16.2.4.2 Milk pump INOX with motor assy.



1.16.2.4.2.1 3/2 mini solenoid valve, assy.

Article no.	Description	Quantity
100.430	Set 3/2 valve plunger with gasket	1
102.041	Flange for mini-valve	1
103.654	Plunger guide 3/2 ways mini-valve	1
103.660	Nut for mini-valve	1
104.805	O-Ring 7.50x1.50 EPDM	1
104.887	O-Ring 13.00x1.30 EPDM	1
106.370	Countersunk screw M3x6 Torx	4
106.704	Coil for mini-valve	1

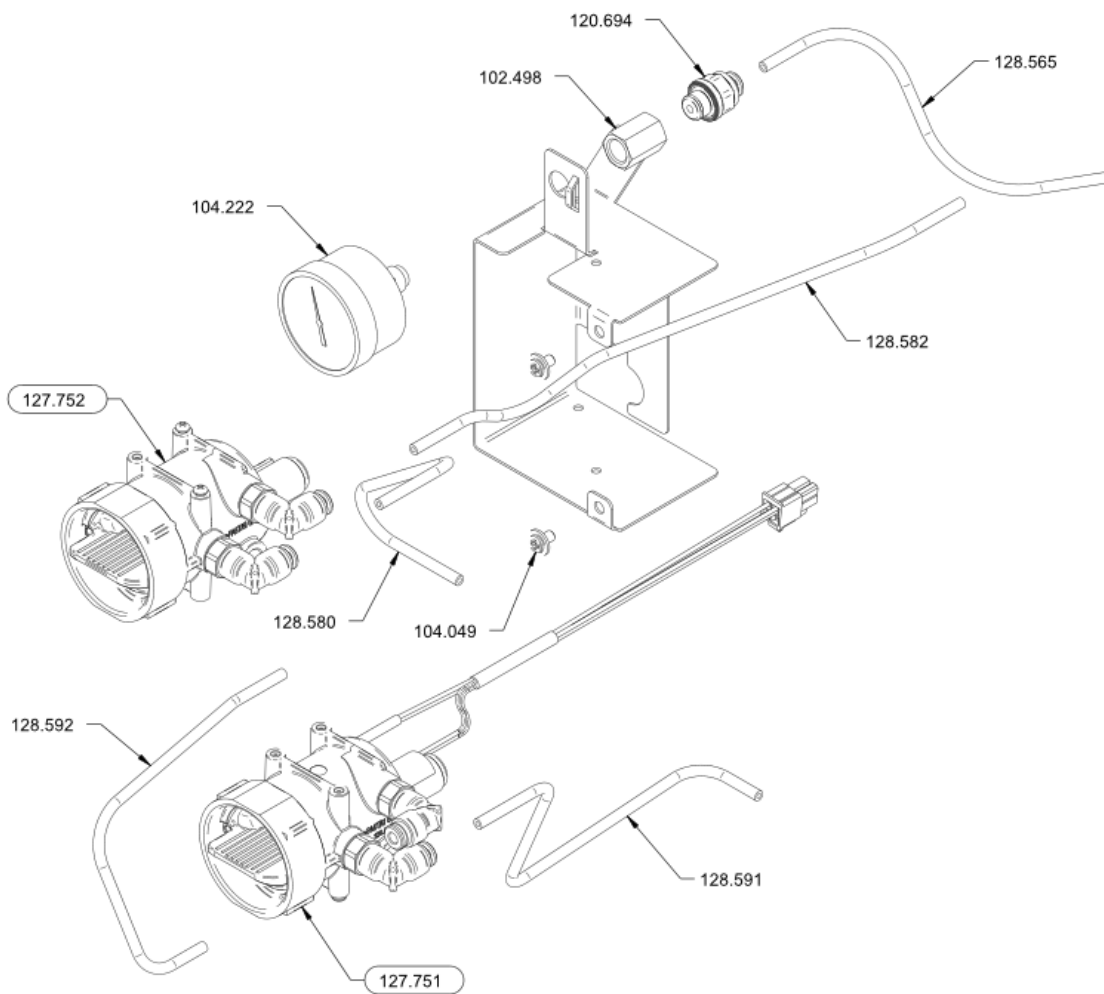
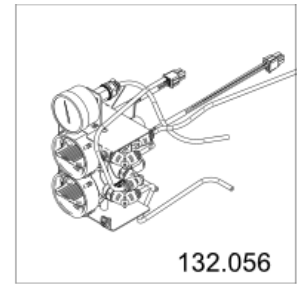
1.16.2.4.2.1 3/2 mini solenoid valve, assy.



1.16.3 Cleaning system CTM assy. cold milk

Article no.	Description	Quantity
102.498	Threaded bushing 1/8"	1
104.049	Oval head screw M4x6 Phillips	2
104.222	Manometer, 0 to 16 bar	1
120.694	Straight connector 4-1/8	1
127.751	Milkcleaningsystem BW4c set	1
127.752	Coffeecleaningsystem BW4c set	1
128.565	FEP pipe $\varnothing 4/2$ x 170mm	1
128.580	FEP pipe $\varnothing 4/2$ x 180mm	1
128.582	FEP pipe $\varnothing 4/2$ x 260mm	1
128.591	FEP pipe $\varnothing 4/2$ x 230mm	1
128.592	FEP pipe $\varnothing 4/2$ x 170mm	1

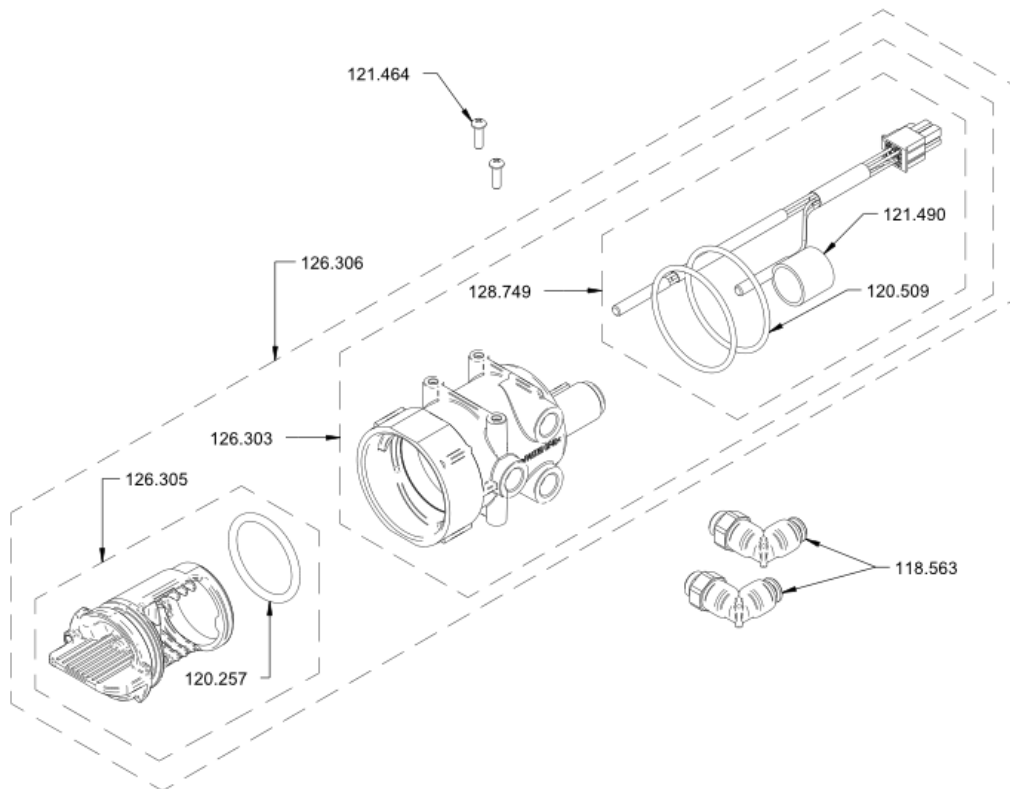
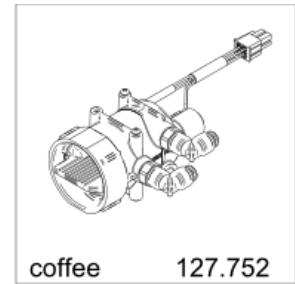
1.16.3 Cleaning system CTM assy. cold milk



1.16.3.1 Coffeecleaningsystem BW4c set

Article no.	Description	Quantity
118.563	Elbow connector 4-1/8	2
120.257	O-Ring \varnothing 29.00x3.00 EPDM	1
120.509	O-Ring 38.00x2.00 EPDM	2
121.464	PT screw KA30x10 philips	2
121.490	Sheath thermoretract. 15mm	1
126.303	Cleaning Lock coffee assy.	1
126.305	Cleaningkey Coffee assy.	1
126.306	Coffeecleaningsystem assy.	1
128.749	Reed contact cleaning castle coffee	1

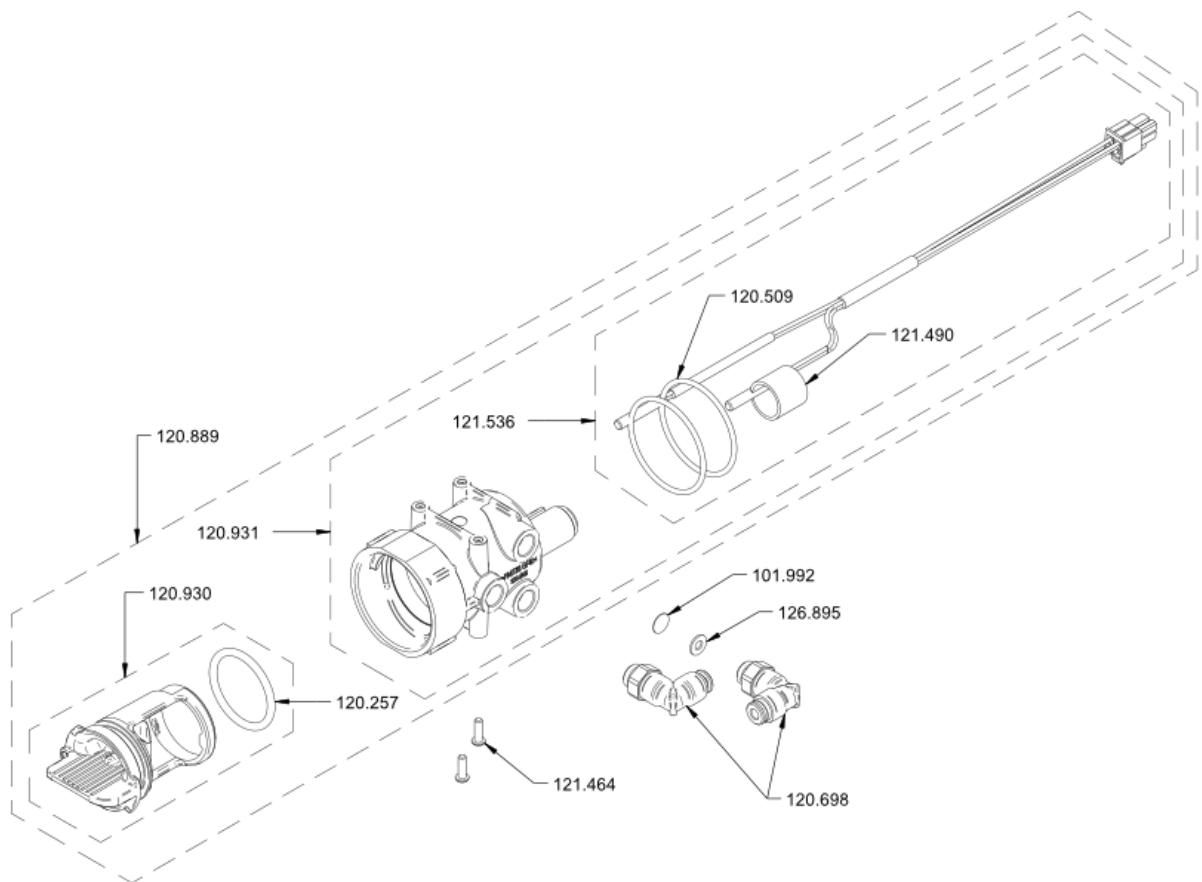
1.16.3.1 Coffeecleaningsystem BW4c set



1.16.3.2 Milkcleaningsystem BW4c set

Article no.	Description	Quantity
101.992	Mesh for Water ø8.5mm	1
120.257	O-Ring ø29.00x3.00 EPDM	1
120.509	O-Ring 38.00x2.00 EPDM	2
120.698	Elbow connector 4-1/8	2
120.889	Cleaning System milkway	1
120.930	Cleaning Key milkway assy.	1
120.931	Cleaning lock milkway set	1
121.464	PT screw KA30x10 philips	2
121.490	Sheath thermoretract. 15mm	1
121.536	Reed switch for cleaning lock milkway	1
126.895	Washer for filter	1

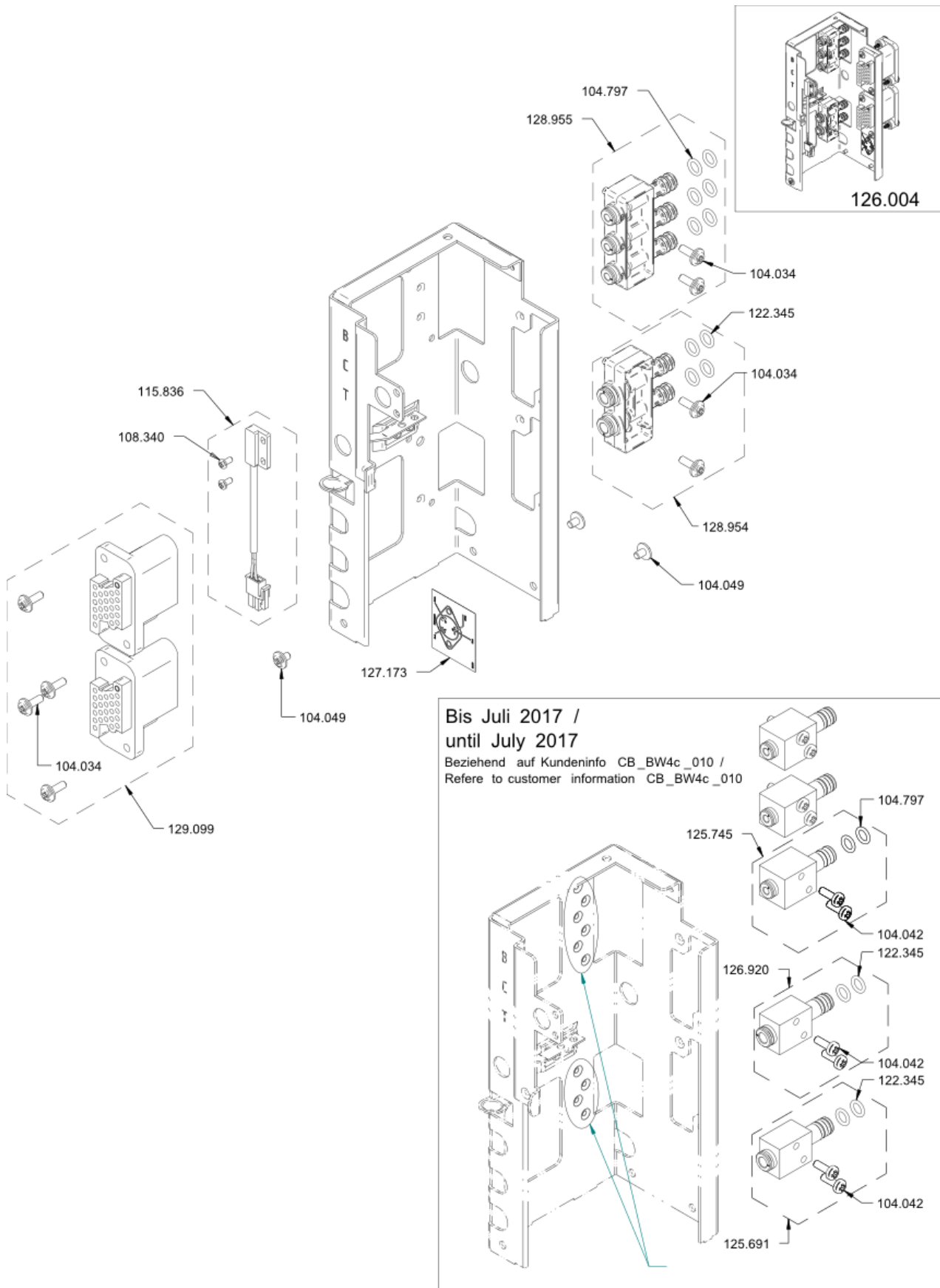
1.16.3.2 Milkcleaningsystem BW4c set



1.16.4 Connector support CTM assy.

Article no.	Description	Quantity
104.034	Oval head screw Phillips M4x12	2
104.034	Oval head screw Phillips M4x12	2
104.034	Oval head screw Phillips M4x12	4
104.042	Oval head screw Phillips M4x25	2
104.042	Oval head screw Phillips M4x25	2
104.042	Oval head screw Phillips M4x25	2
104.049	Oval head screw M4x6 Phillips	3
104.797	O-Ring 6.75x1.78 FKM	6
104.797	O-Ring 6.75x1.78 FKM	2
108.340	Socket head screw M3x6 Phillips	2
115.836	Reed switch with screws	1
122.345	O-Ring 6.75x1.78 EPDM	4
122.345	O-Ring 6.75x1.78 EPDM	2
122.345	O-Ring 6.75x1.78 EPDM	2
125.691	Male connector single ø6 milk	1
125.745	Male connector single ø4 FKM	3
126.920	Male connector single ø6 water	1
127.173	Sticker Triac BW4c	1
128.954	Hydr. male connector double ø6 assy.	1
128.955	Hydr. male connector ø4 assy.	1
129.099	Chassis assy. BW4(c) RL	1

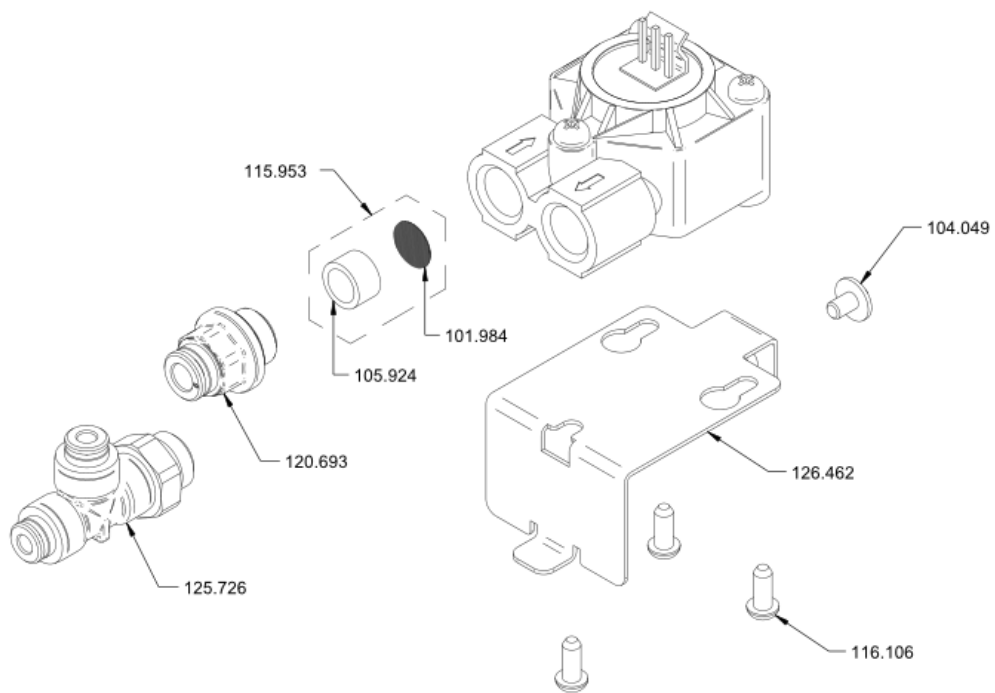
1.16.4 Connector support CTM assy.



1.16.5 Flowmeter assy.

Article no.	Description	Quantity
101.984	Filter for flowmeter 1/4"	1
104.049	Oval head screw M4x6 Phillips	1
105.924	Sleeve	1
115.953	Water strainer flowmeter	1
116.106	PT screw lens head KA40x10	3
120.693	Straight fitting M1/4- ø6	1
125.726	L-connector ø4-1/4	1
126.462	Support to flowmeter	1

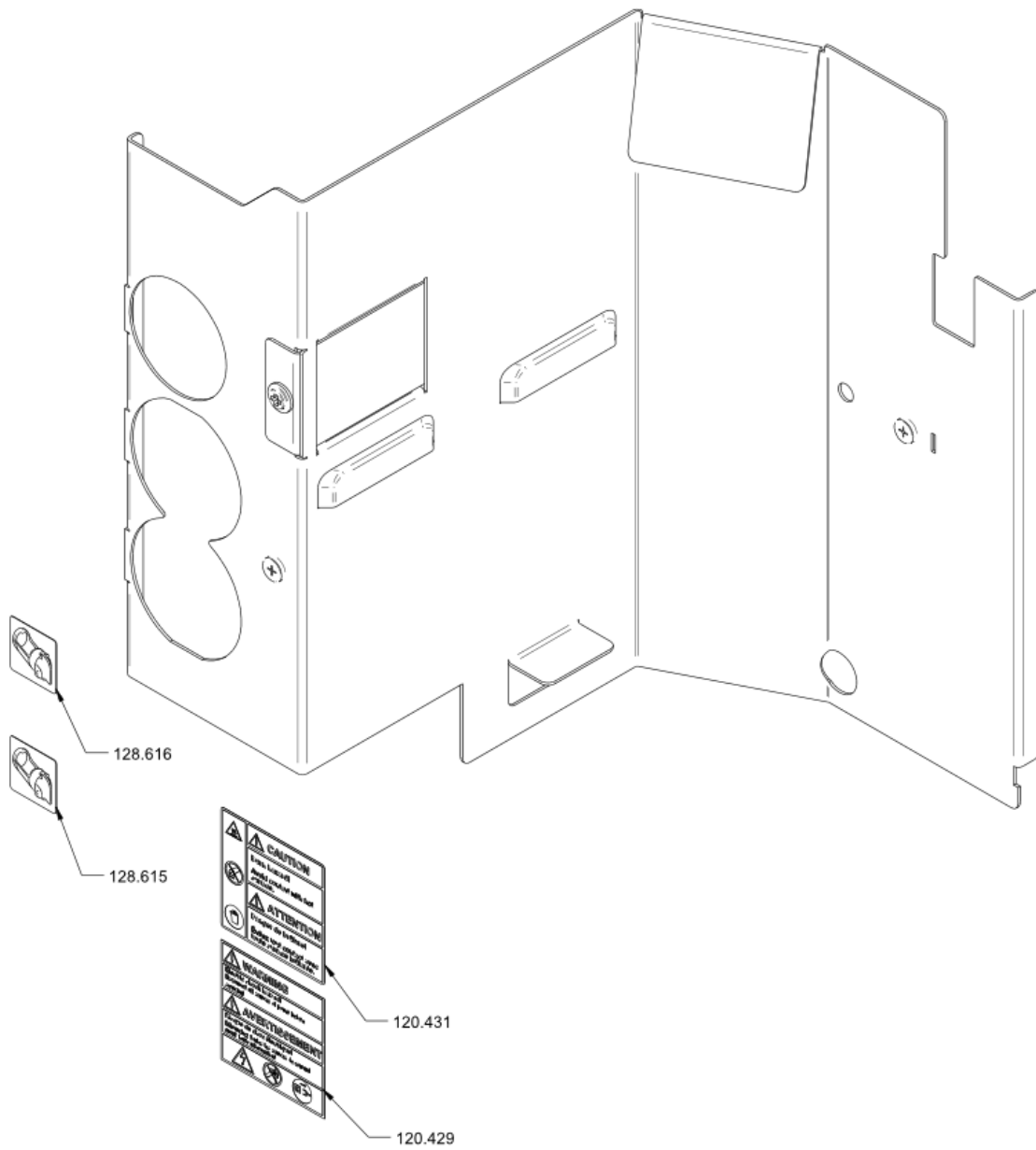
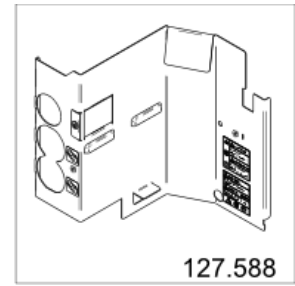
1.16.5 Flowmeter assy.



1.17 Cover hydraulic assy.

Article no.	Description	Quantity
120.429	Label "Electric shock hazard"	1
120.431	Label "Burn hazard"	1
128.615	Sticker milk cleaning system	1
128.616	Sticker coffee cleaning system	1

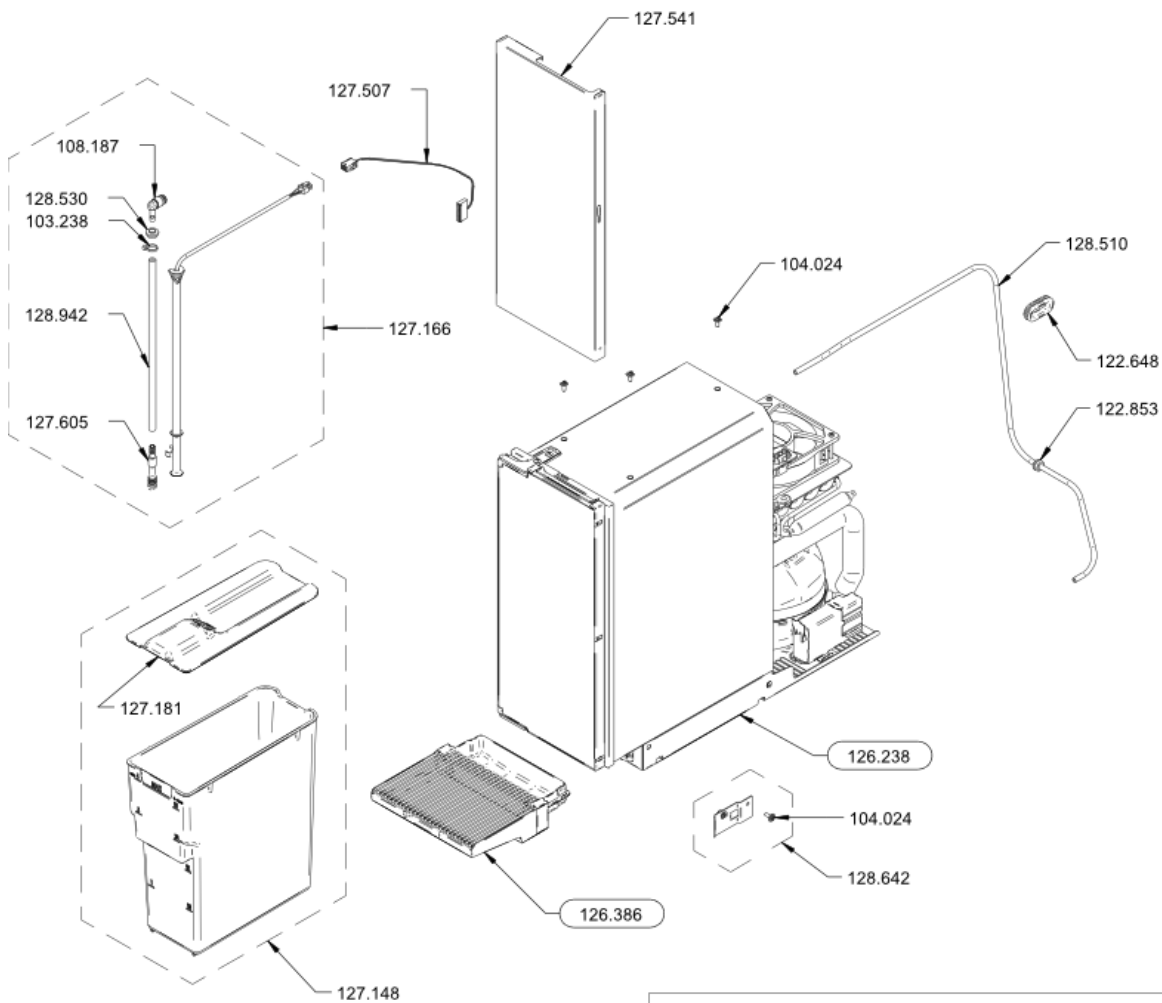
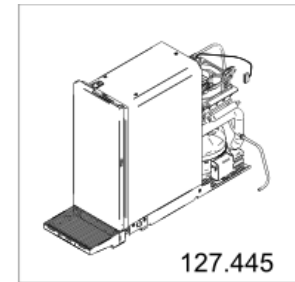
1.17 Cover hydraulic assy.



1.18 Refrigerator assy. RS

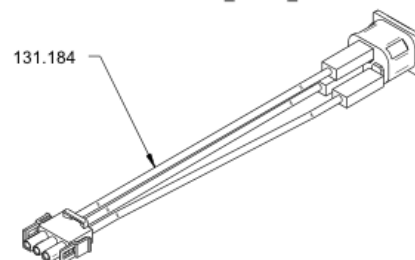
Article no.	Description	Quantity
103.238	Cable tie 85/22	1
104.024	Lens head screw M04x10 Phillips	3
104.024	Lens head screw M04x10 Phillips	1
108.187	Elbow connector 6-6	1
122.648	Cable protecting sleeve $\varnothing 35/\varnothing 31/\varnothing 25 \times 10-3$	1
122.853	Cable sleeve $\varnothing 6/9/14$ thickness 1.5	1
126.238	Refrigerator RS	1
126.386	Drip tray 170 assy.	1
127.148	Milkcontainer RS assy.	1
127.166	Milksuction hose Temp.-Level	1
127.181	Cover to milkcontainer RS	1
127.507	Connecting cable temp. level sensor	1
127.541	Cover door RS, no lock	1
127.605	Suction hull with filter long	1
128.510	FEP pipe $\varnothing 6/4 \times 850\text{mm}$	1
128.530	Strain relief milktube	1
128.642	Binder drip tray RF assy.	1
128.942	Silicone hose $\varnothing 8.5/4 \times 248\text{mm}$	1
131.184	Connection refrigerator C14	1

1.18 Refrigerator assy. RS



Bis Dezember 2017 / until December 2017

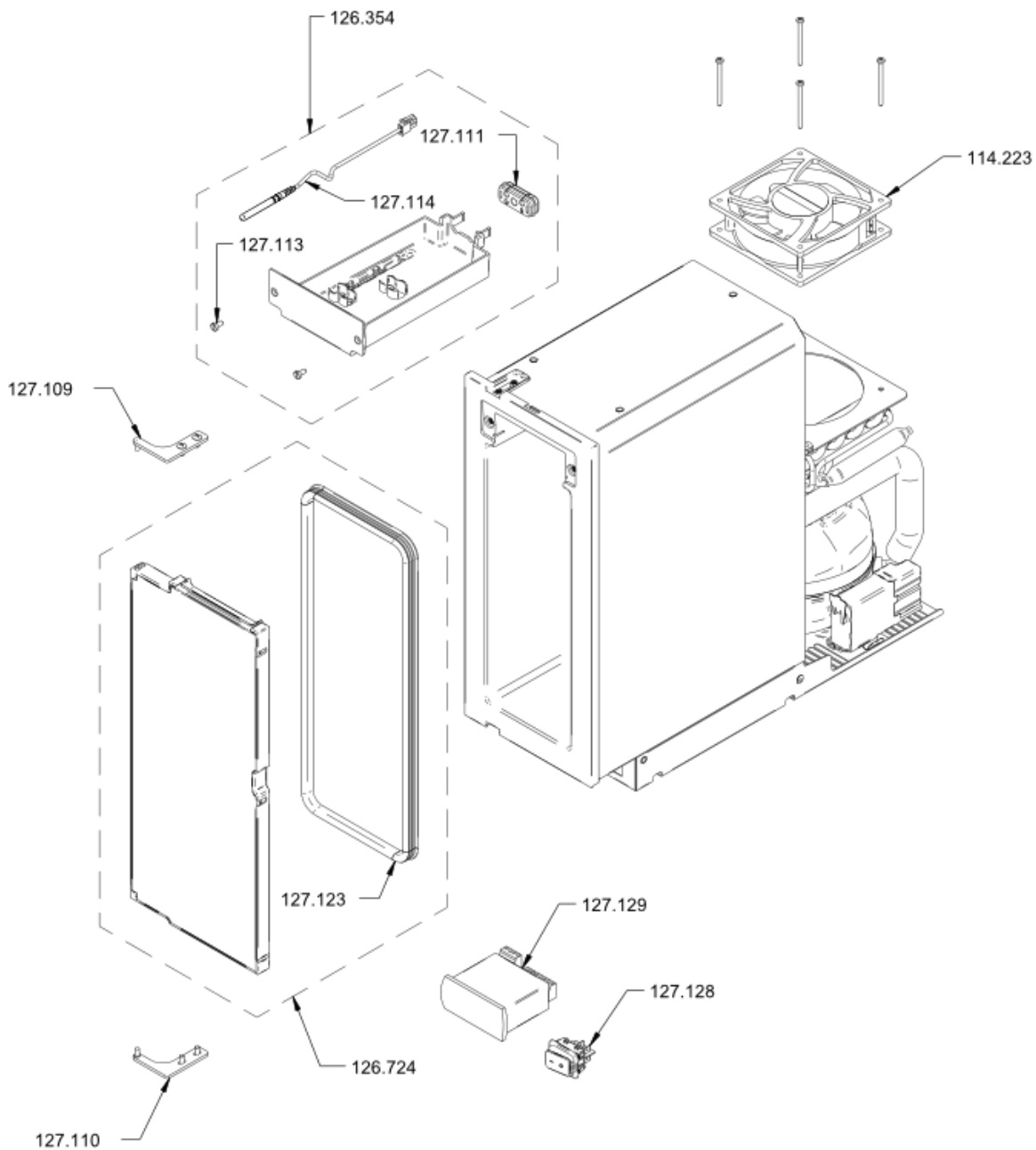
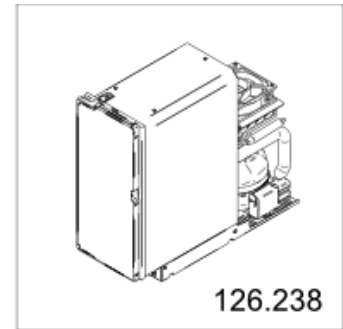
Wenn Kühlschrank mit Gerätestecker,
beziehend auf Kundeninfo CB_BW4c_011 /
If Refrigerator with power socket,
referred to customer information CB_BW4c_011



1.18.1 Refrigerator RS

Article no.	Description	Quantity
114.223	Axial fan 230V /50Hz. 120x120x38	1
126.354	RF-Box assy.	1
126.724	Door refrigerator RS	1
127.109	Upper door hinge BW4c	1
127.110	Lower door hinge BW4c	1
127.111	Connection sealing to RF-Box	1
127.113	Screw M04x08 special to RF-Box NSF	2
127.114	NTC 10kOhm, ø6mm, IP68	1
127.123	Door seal RS	1
127.128	Main power switch, 2p. 250V/5A	1
127.129	Temperature controller refrigerator	1

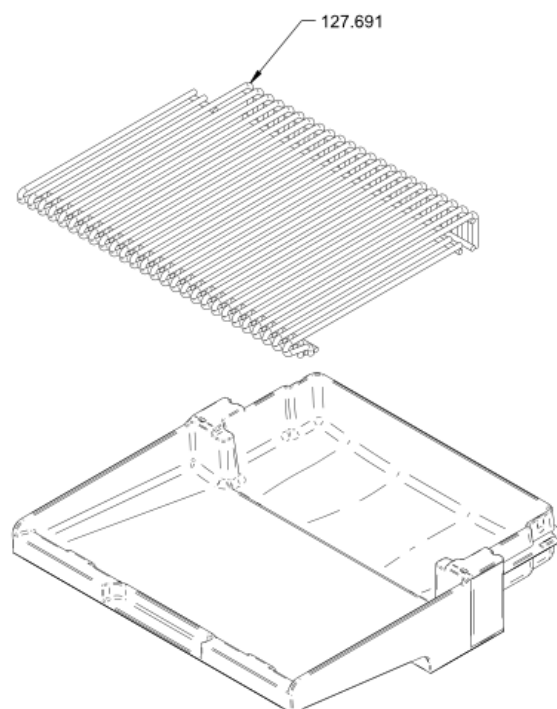
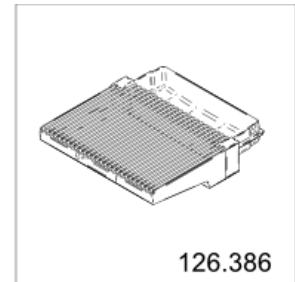
1.18.1 Refrigerator RS



1.18.2 Drip tray 170 assy.

Article no.	Description	Quantity
127.691	Drip tray grill 170	1

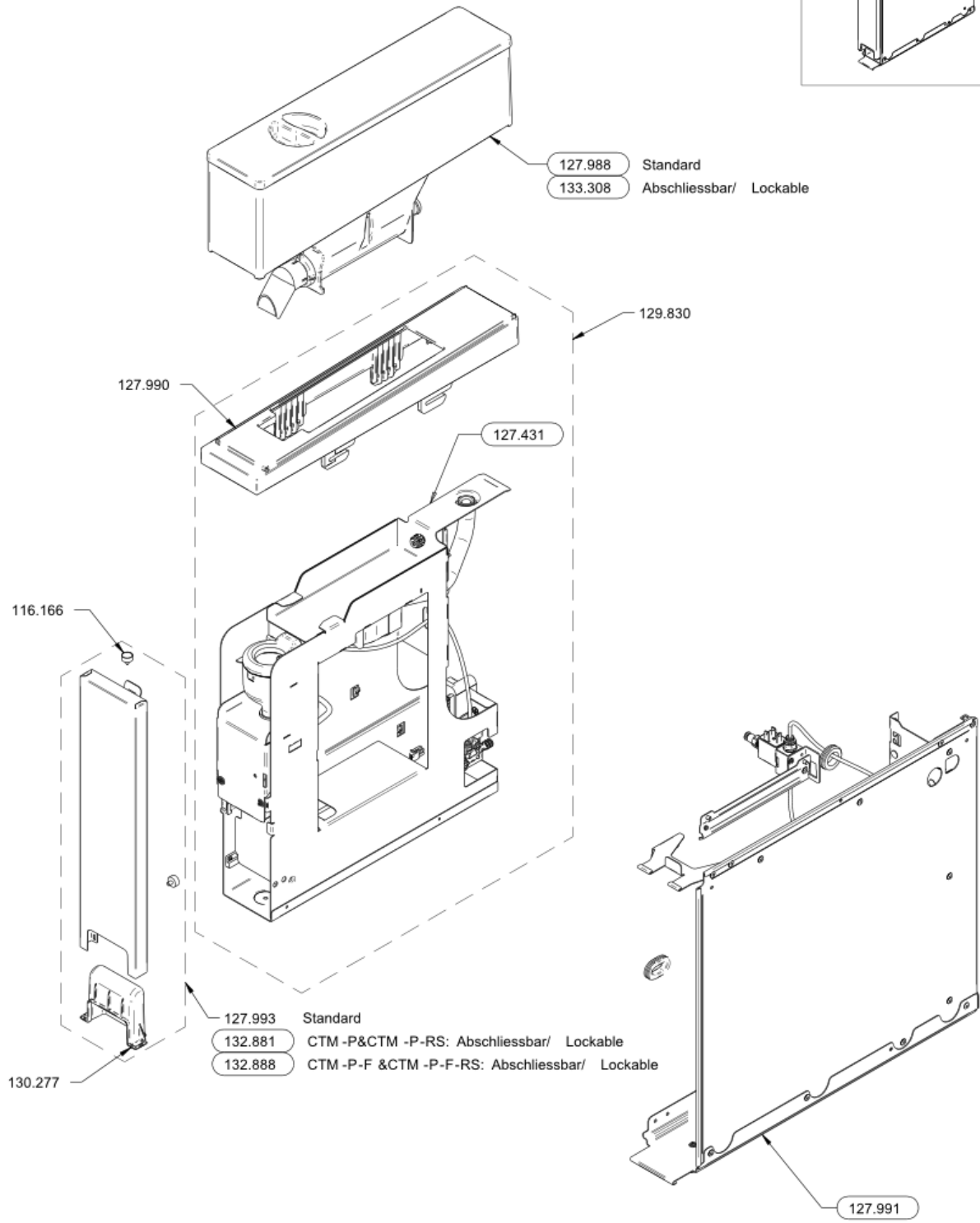
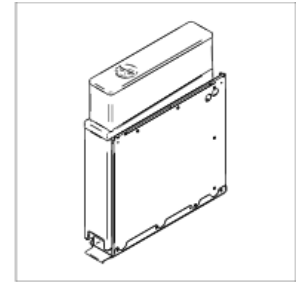
1.18.2 Drip tray 170 assy.



1.19 Powdermodule assy. BW4(c)

Article no.	Description	Quantity
116.166	Topfmagnet 4kg M4x6	3
127.431	Powdermodule BW4(c)	1
127.988	Powder hopper slim BW4(c) assy.	1
127.990	Powder unit s. cover BW4(c) assy.	1
127.991	Frame BW4(c) addition slim assy.	1
127.993	Front BW4(c) addition slim assy.	1
129.830	Powdermodule assy. BW4(c)	1
130.277	Cover handle BW4(c) assy.	1
132.881	Front BW4(c) addition slim lock assy.	1
132.888	Front BW4(c) addition slim lock assy.	1
133.308	Powder hopper slim BW4(c) assy.	1

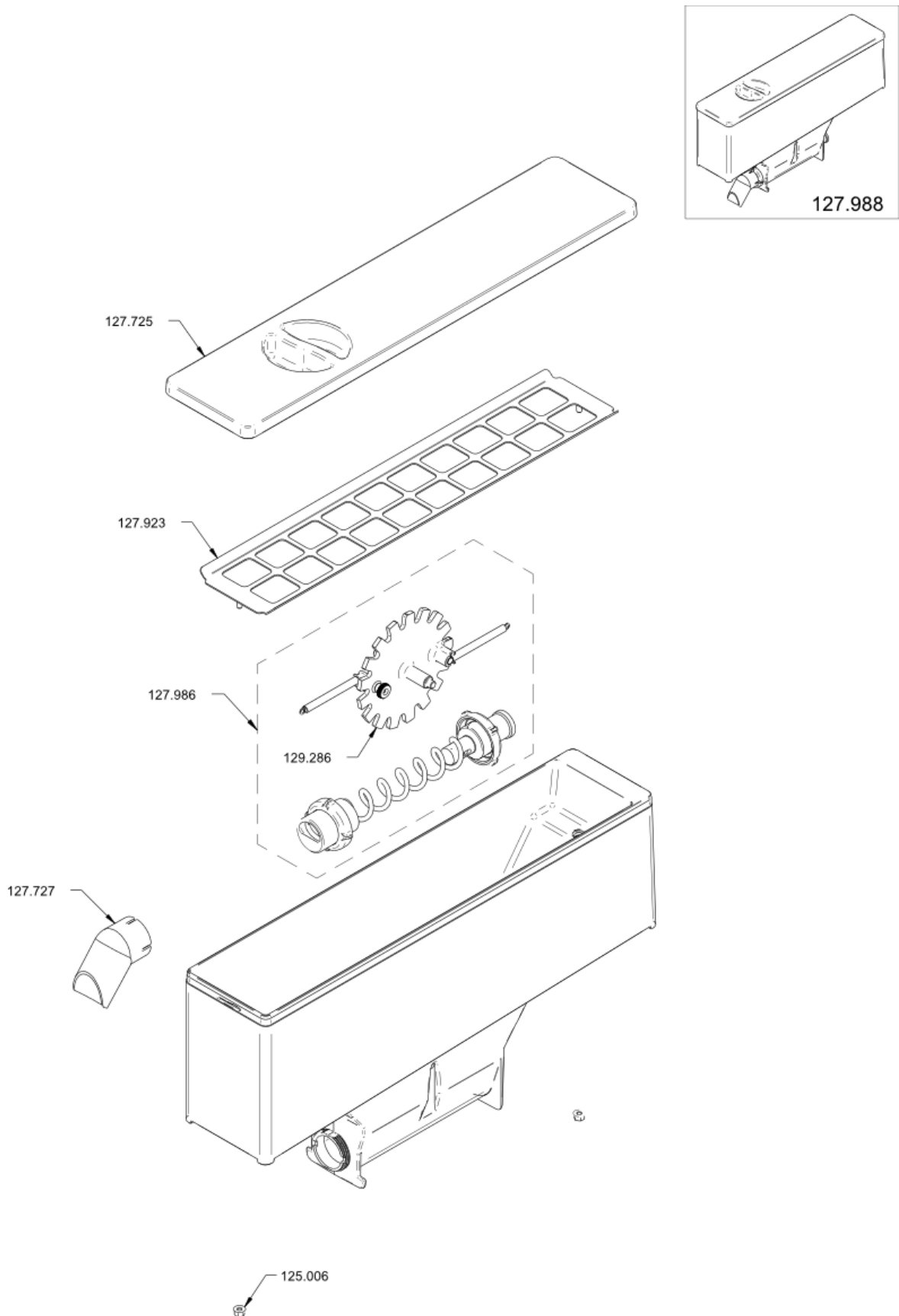
1.19 Powdermodule assy. BW4(c)



1.19.1 Powder hopper slim BW4(c) assy.

Article no.	Description	Quantity
125.006	Flange locknut M4	2
127.725	Powder hopper cover slim BW4(c)	1
127.727	Discharge chute	1
127.923	Safety plate BW4(c) powder slim	1
127.986	Conveying unit powder BW4(c)	1
129.286	Stirring unit BW4(c) assy.	1

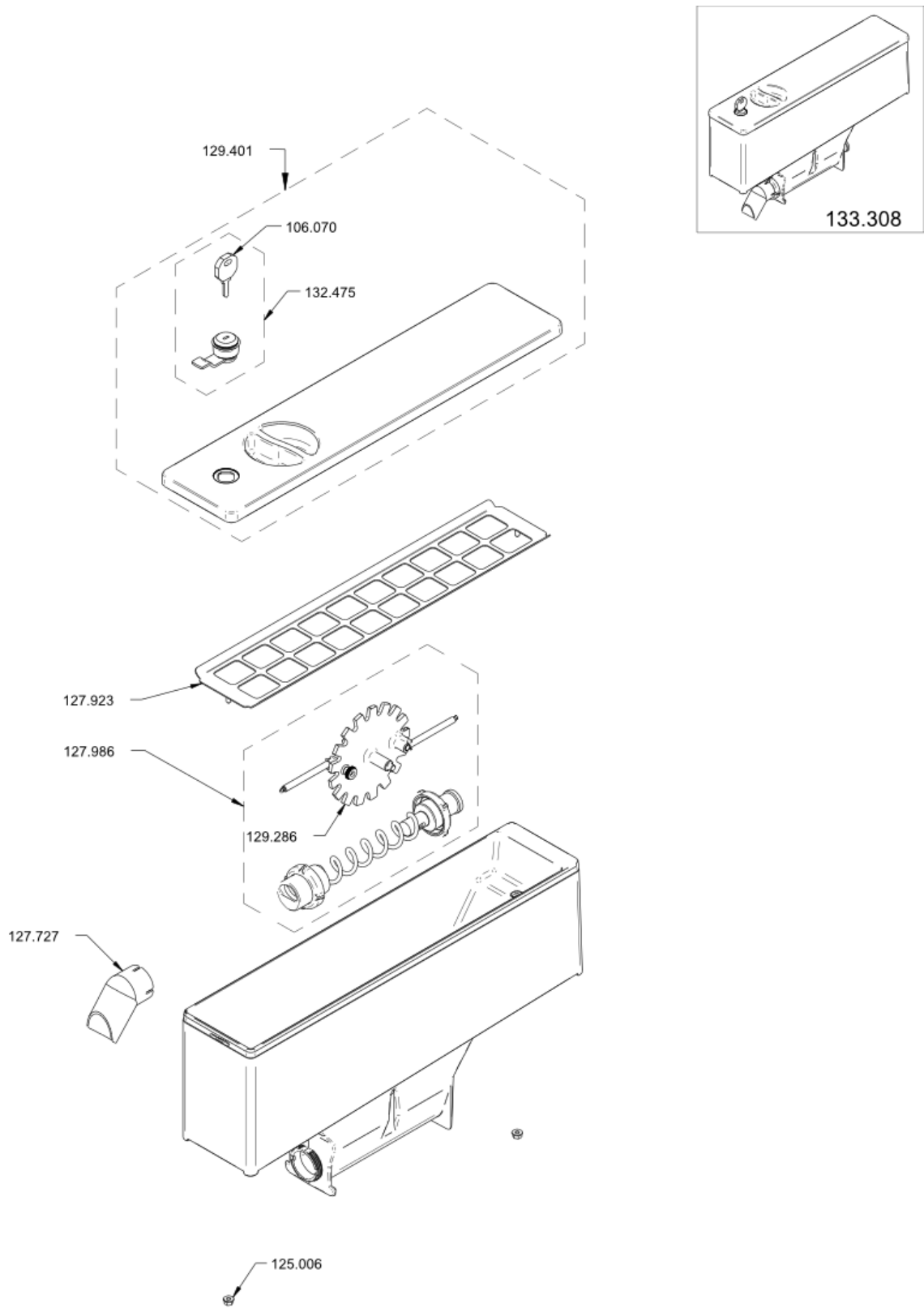
1.19.1 Powder hopper slim BW4(c) assy.



1.19.2 Powder hopper slim BW4(c) assy.

Article no.	Description	Quantity
106.070	Key (2 pcs.)	1
125.006	Flange locknut M4	2
127.727	Discharge chute	1
127.923	Safety plate BW4(c) powder slim	1
127.986	Conveying unit powder BW4(c)	1
129.286	Stirring unit BW4(c) assy.	1
129.401	Powder hopperlid small lock assy.	1
132.475	Bean hopper lock, assy.	1

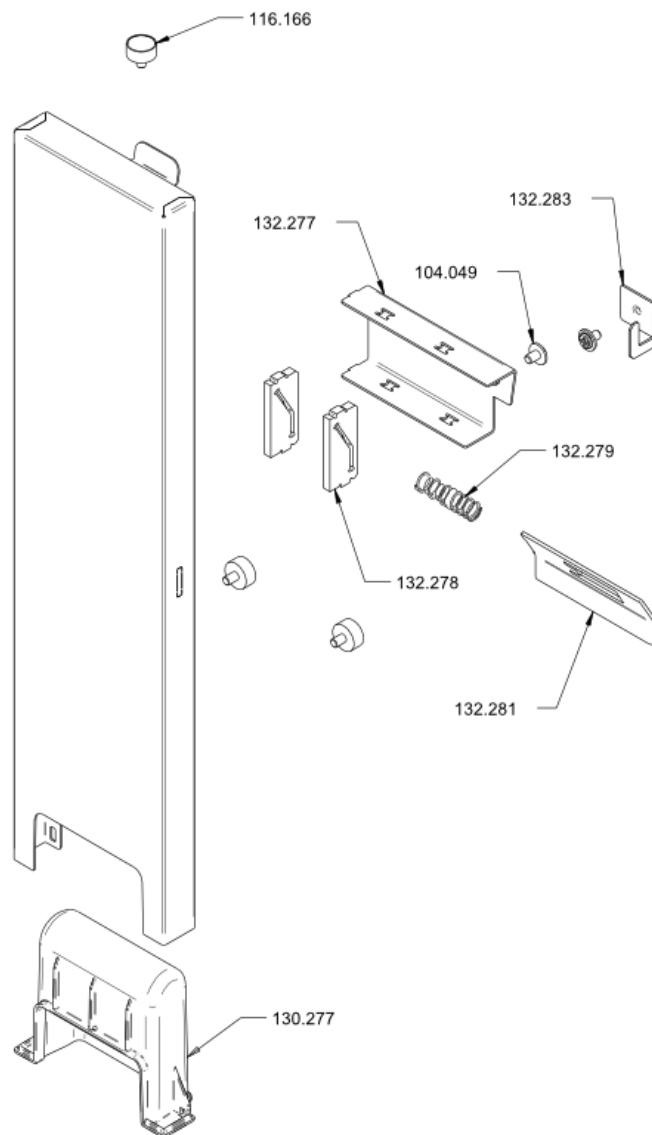
1.19.2 Powder hopper slim BW4(c) assy.



1.19.3 Front BW4(c) addition slim lock assy.

Article no.	Description	Quantity
104.049	Oval head screw M4x6 Phillips	2
116.166	Topfmagnet 4kg M4x6	3
130.277	Cover handle BW4(c) assy.	1
132.277	Locking latch cover	1
132.278	locking latch guide	2
132.279	Compression spring 0.8x8x32	1
132.281	Locking latch P	1
132.283	Locking sheet powder	1

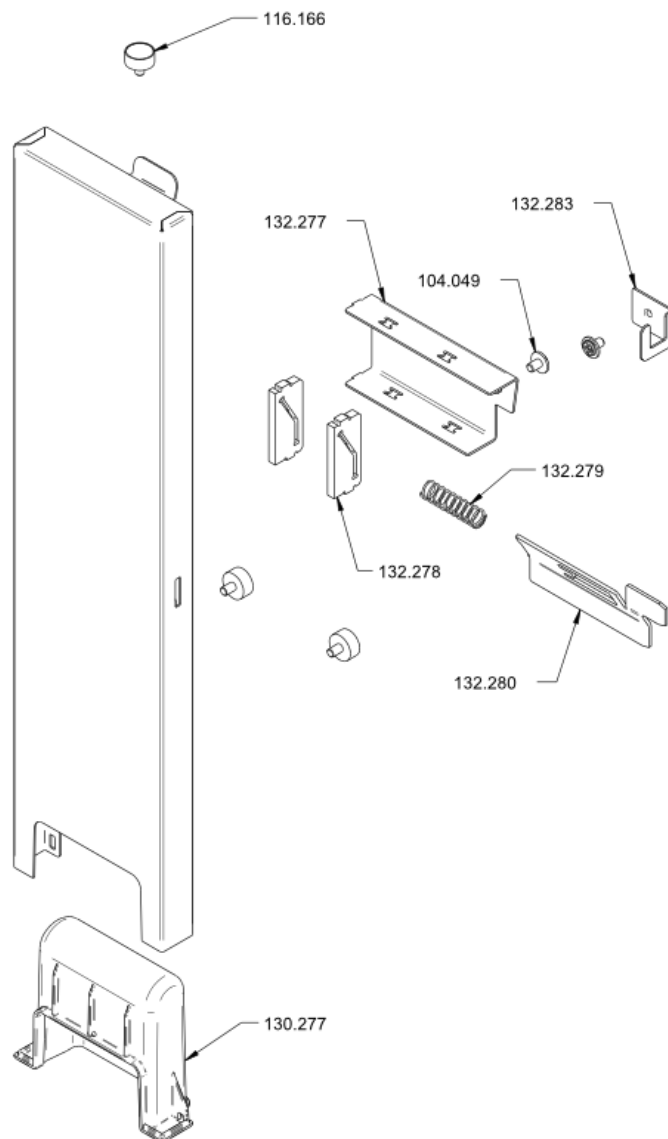
1.19.3 Front BW4(c) addition slim lock assy.



1.19.4 Front BW4(c) addition slim lock assy.

Article no.	Description	Quantity
104.049	Oval head screw M4x6 Phillips	2
116.166	Topfmagnet 4kg M4x6	3
130.277	Cover handle BW4(c) assy.	1
132.277	Locking latch cover	1
132.278	locking latch guide	2
132.279	Compression spring 0.8x8x32	1
132.280	Locking latch P F	1
132.283	Locking sheet powder	1

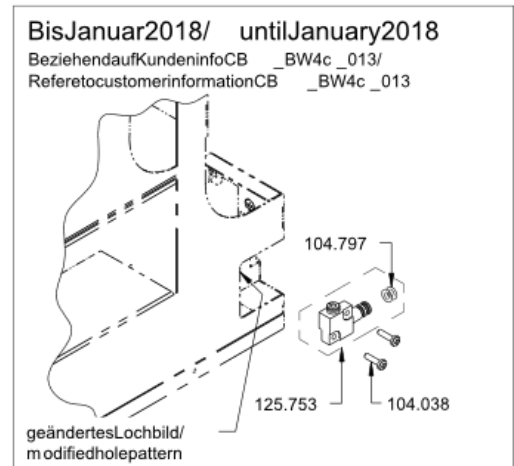
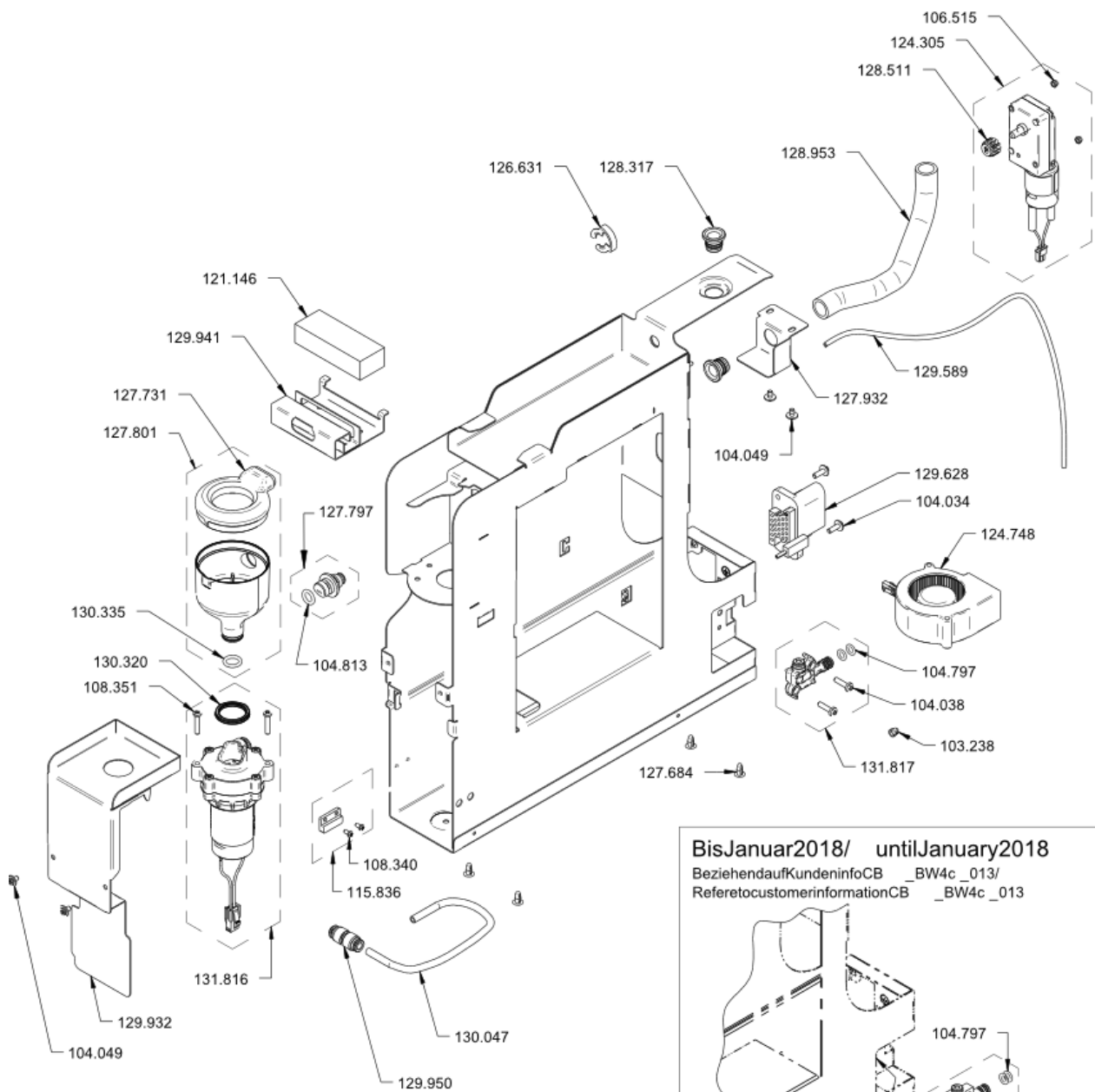
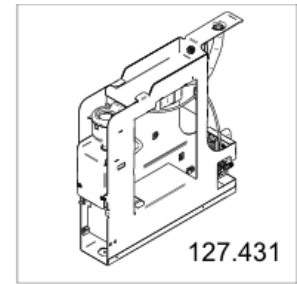
1.19.4 Front BW4(c) addition slim lock assy.



1.19.5 Powdermodule BW4(c)

Article no.	Description	Quantity
103.238	Cable tie 85/22	1
104.034	Oval head screw Phillips M4x12	2
104.038	Oval head screw Phillips M4x16	2
104.049	Oval head screw M4x6 Phillips	4
104.797	O-Ring 6.75x1.78 FKM	2
104.813	O-Ring 9.19x2.62 EPDM	1
106.515	Prevailing torque hex nut M3	2
108.340	Socket head screw M3x6 Phillips	2
108.351	Socket head screw M4x20 Phillips	2
115.836	Reed switch with screws	1
121.146	Filter pad	1
124.305	Container gear-motor	1
124.748	Radial fan Trial 24V, 3800Rpm, 22m ³ /h	1
125.753	Male connector tilted ø4 FKM	1
126.631	Clip ø16	1
127.684	Pluggable rivet ø4.6x11.1	4
127.731	Mixer cover	1
127.797	Water supply powder module BW4(c) assy.	1
127.801	Mixer assy.	1
127.932	Exhaust port	1
128.317	Exhaust connection	2
128.511	Pinion	1
128.953	PVC-tube Vinilit ø19/14x190mm	1
129.589	FEP pipe ø4/2 x 470mm	1
129.628	Wiring harness BW4(c) powder module drawer	1
129.932	Cover plate mixer motor	1
129.941	Exhaustion BW4(c) powder unit	1
129.950	Straight plug connector 6-6	1
130.047	FEP pipe ø6/4 x 250mm	1
130.320	X-Ring NBR 70 Shore A ø23.39x3.53	1
130.335	O-Ring ø13.95x2.62 EPDM	1
131.816	Pump with magnetic clutch set	1
131.817	Hydr. male connector tilted ø4 set	1

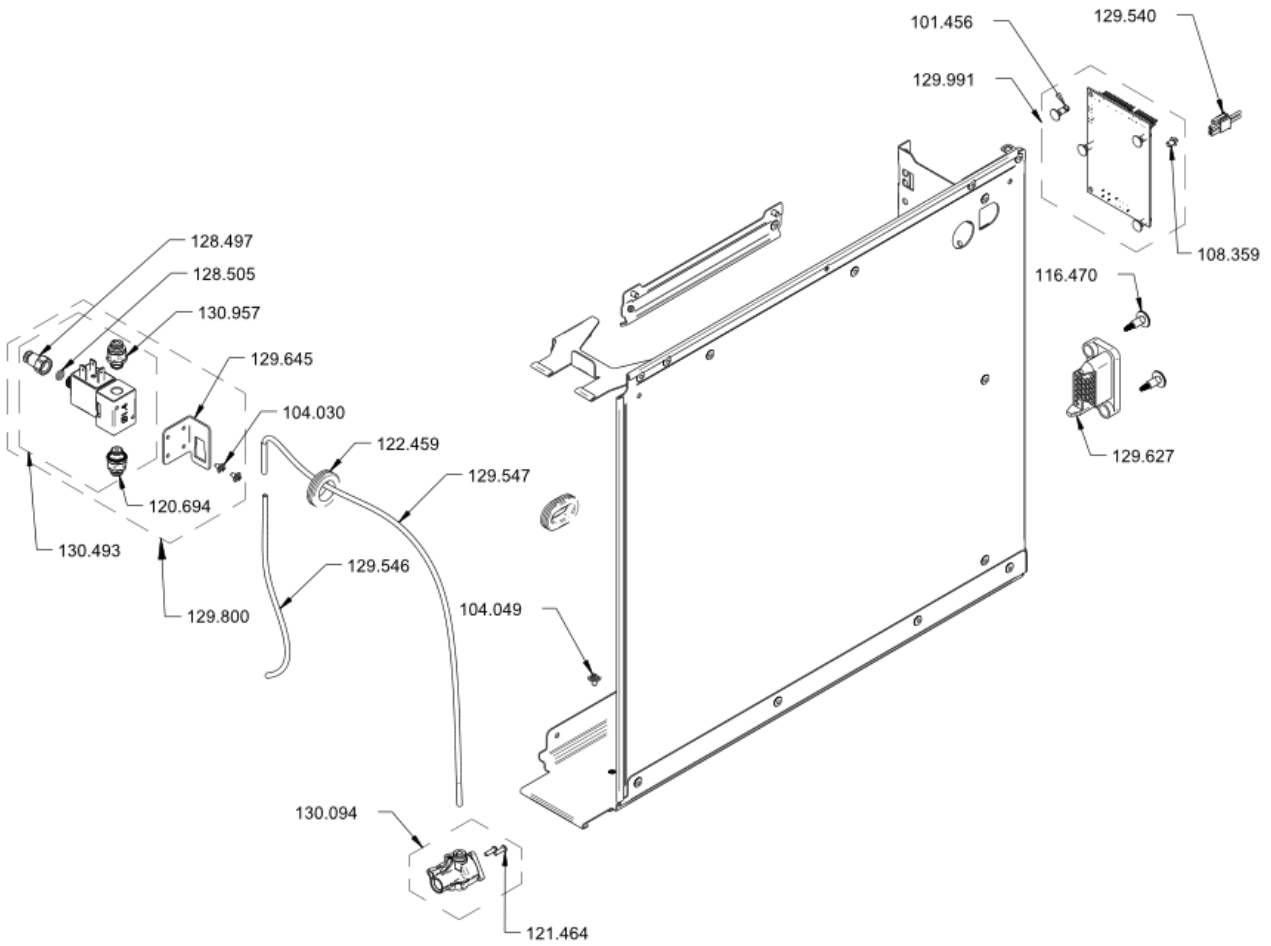
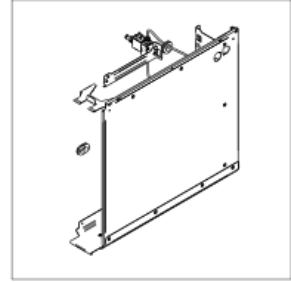
1.19.5 Powdermodule BW4(c)



1.19.6 Frame BW4(c) addition slim assy.

Article no.	Description	Quantity
101.456	Deck support piece \varnothing 5.5x8mm	4
104.030	Oval pan head screw Phi. eco-fix M3x6	2
104.049	Oval head screw M4x6 Phillips	1
108.359	Socket flat head screw M4x6	1
116.470	SHEETracs screw Torx 40x20/8	2
120.694	Straight connector 4-1/8	1
121.464	PT Phillips screw KA30x10	2
122.459	Cable protecting sleeve \varnothing 30/ \varnothing 23/ \varnothing 18x8-2	1
128.497	Straight fitting 4-1/8	1
128.505	Gasket \varnothing 8/5 x 1.5	1
129.540	Connection wire BW4c - addition. module	1
129.546	FEP pipe \varnothing 4/2 x 180mm	1
129.547	FEP pipe \varnothing 4/2 x 500mm	1
129.627	Wiring harness BW4(c) powder module chassis	1
129.645	Valve holding plate BW4(c)	1
129.800	Solenoid valve 3/2, \varnothing 1.4, small assy.	1
129.991	Additional module control board set	1
130.094	Hydr. female conn. single (1IN) assy.	1
130.493	Solenoid valve 3/2, \varnothing 1.4, small assy.	1
130.957	Straight connector 4- Flow reducer	1

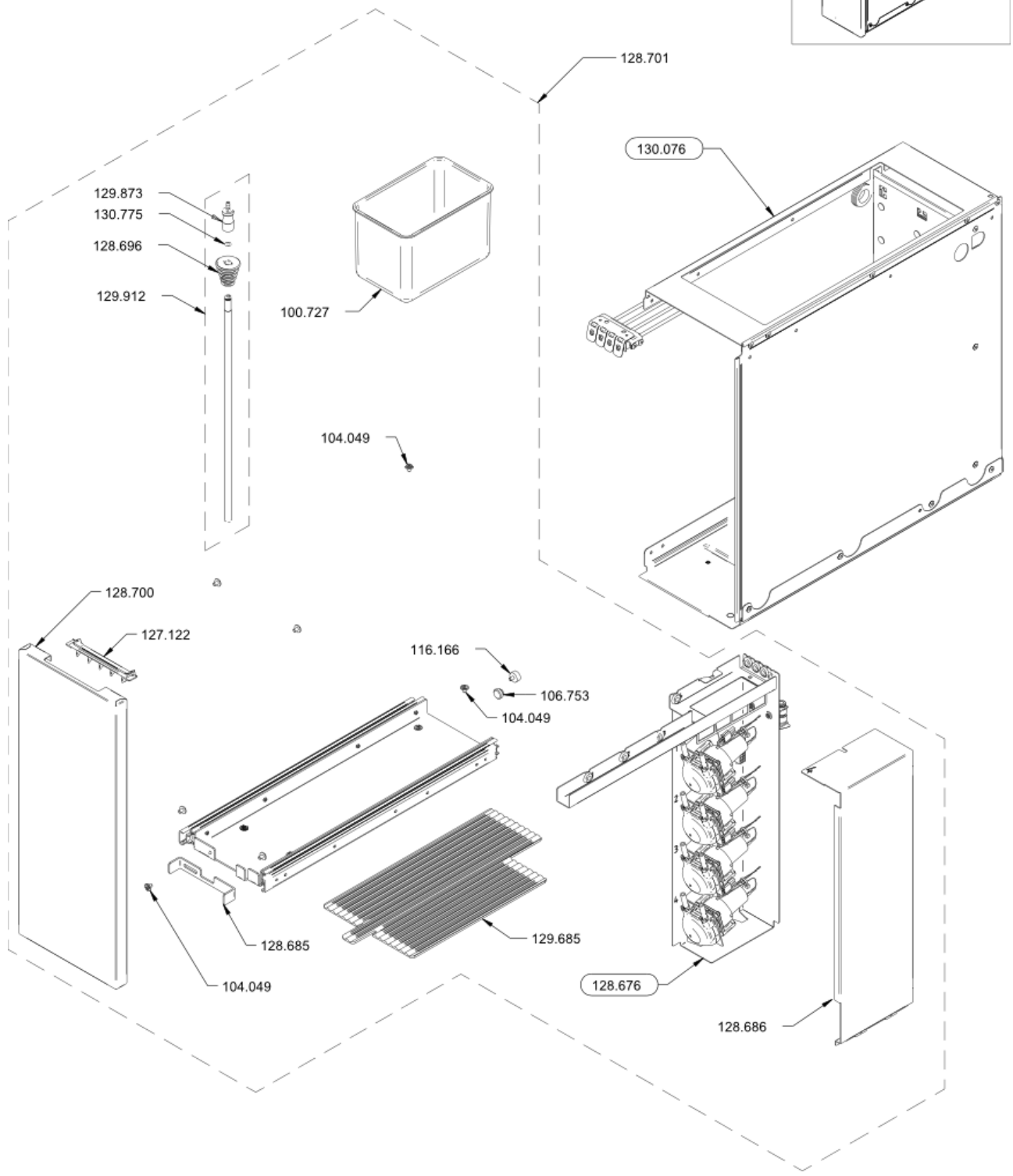
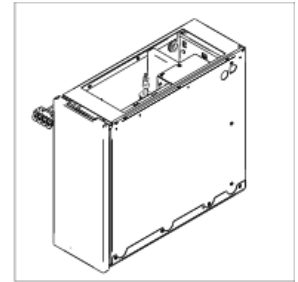
1.19.6 Frame BW4(c) addition slim assy.



1.20 Flavour-module assy.

Article no.	Description	Quantity
100.727	Container 1l	1
104.049	Oval head screw M4x6 Phillips	11
106.753	Press-in buffer \varnothing 13x4	1
116.166	Topfmagnet 4kg M4x6	1
127.122	Door handle RS	1
128.676	Pump module flavour 170	1
128.685	Pusher	1
128.686	Pump plate cover	1
128.696	Flavour bottle cap	1
128.700	Drawer front	1
129.685	Rubber mat flavour-module	1
129.873	Flavour coupling	1
129.912	Flavour intake	4
130.076	Chassis BW4(c) add wide cpl.	1
130.775	O-Ring \varnothing 6.00x1.00 EPDM 75.5/KW75F	1

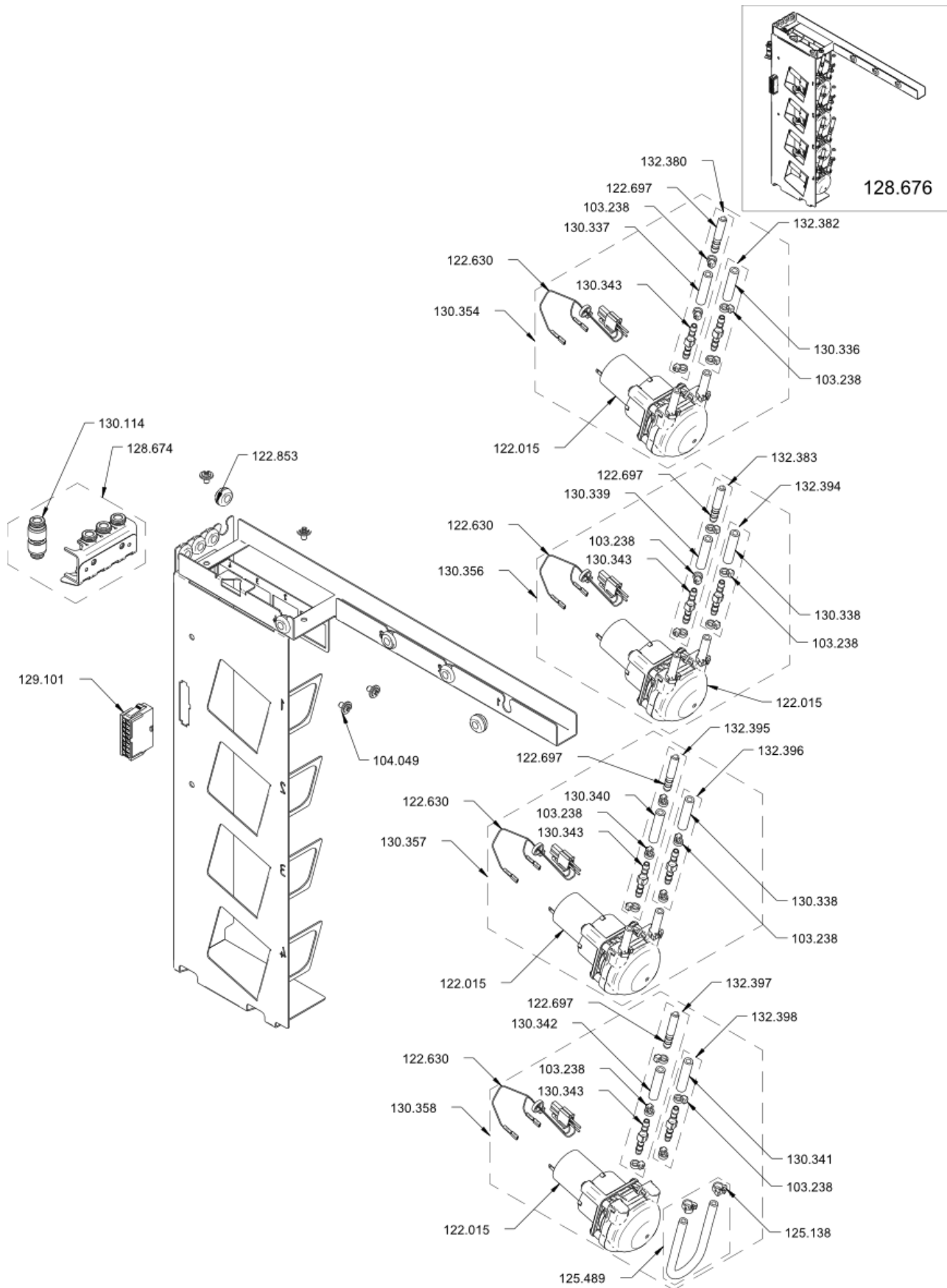
1.20 Flavour-module assy.



1.20.1 Pump module flavour 170

Article no.	Description	Quantity
103.238	Cable tie 85/22	2
103.238	Cable tie 85/22	3
103.238	Cable tie 85/22	3
103.238	Cable tie 85/22	2
103.238	Cable tie 85/22	2
103.238	Cable tie 85/22	3
103.238	Cable tie 85/22	3
103.238	Cable tie 85/22	2
104.049	Oval head screw M4x6 Phillips	2
122.015	Peristaltic pump	1
122.015	Peristaltic pump	1
122.015	Peristaltic pump	1
122.015	Peristaltic pump	1
122.630	Connection RS485_2	1
122.630	Connection RS485_2	1
122.630	Connection RS485_2	1
122.630	Connection RS485_2	1
122.697	Plug connection	1
122.697	Plug connection	1
122.697	Plug connection	1
122.697	Plug connection	1
122.853	Cable sleeve ø6/9/14 thickness 1.5	8
122.853	Cable sleeve ø6/9/14 thickness 1.5	8
125.138	Snap cramp	2
125.489	Tube mounted	1
128.674	Connector four times flavour	1
129.101	Wiring harness BW4(c) flavour drawer	1
130.114	Straight plug connector 6-4	4
130.336	Silicone hose ø7/4 x 310mm	1
130.337	Silicone hose ø7/4 x 185mm	1
130.338	Silicone hose ø7/4 x 425mm	1
130.338	Silicone hose ø7/4 x 425mm	1
130.339	Silicone hose ø7/4 x 275mm	1
130.340	Silicone hose ø7/4 x 315mm	1
130.341	Silicone hose ø7/4 x 500mm	1
130.342	Silicone hose ø7/4 x 390mm	1
130.343	Connection POM ø4mm	1
130.343	Connection POM ø4mm	1
130.343	Connection POM ø4mm	1
130.343	Connection POM ø4mm	1
130.354	Flavour pump 1	1
130.356	Flavour pump 2	1
130.357	Flavour pump 3	1
130.358	Flavour pump 4	1
132.380	Persaltic pump 1 outlet	1
132.382	Persaltic pump 1 inlet	1
132.383	Persaltic pump 2 outlet	1
132.394	Persaltic pump 2 inlet	1
132.395	Persaltic pump 3 outlet	1
132.396	Persaltic pump 3 inlet	1
132.397	Persaltic pump 4 outlet	1
132.398	Persaltic pump 4 inlet	1

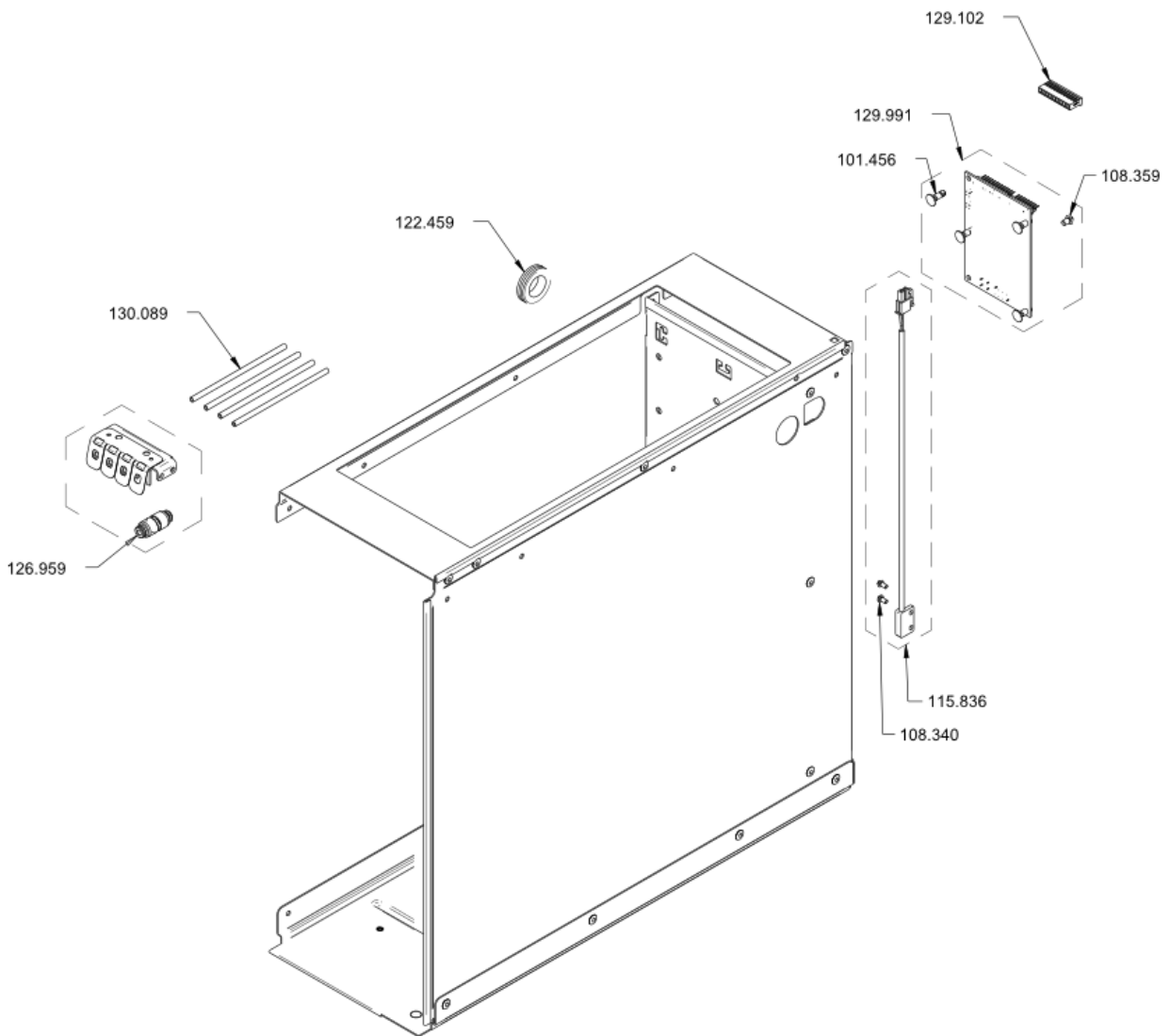
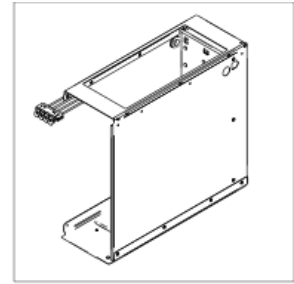
1.20.1 Pump module flavour 170



1.20.2 Chassis BW4(c) add wide cpl.

Article no.	Description	Quantity
101.456	Deck support piece \varnothing 5.5x8mm	4
108.340	Socket head screw M3x6 Phillips	2
108.359	Socket flat head screw M4x6	1
115.836	Reed switch with screws	1
122.459	Cable protecting sleeve \varnothing 30/ \varnothing 23/ \varnothing 18x8-2	1
126.959	Straight connector 4-4	1
129.102	Wiring harness BW4(c) flavour chassis	1
129.991	Additional module control board set	1
130.089	FEP pipe \varnothing 4/2.5 x 1000mm	4

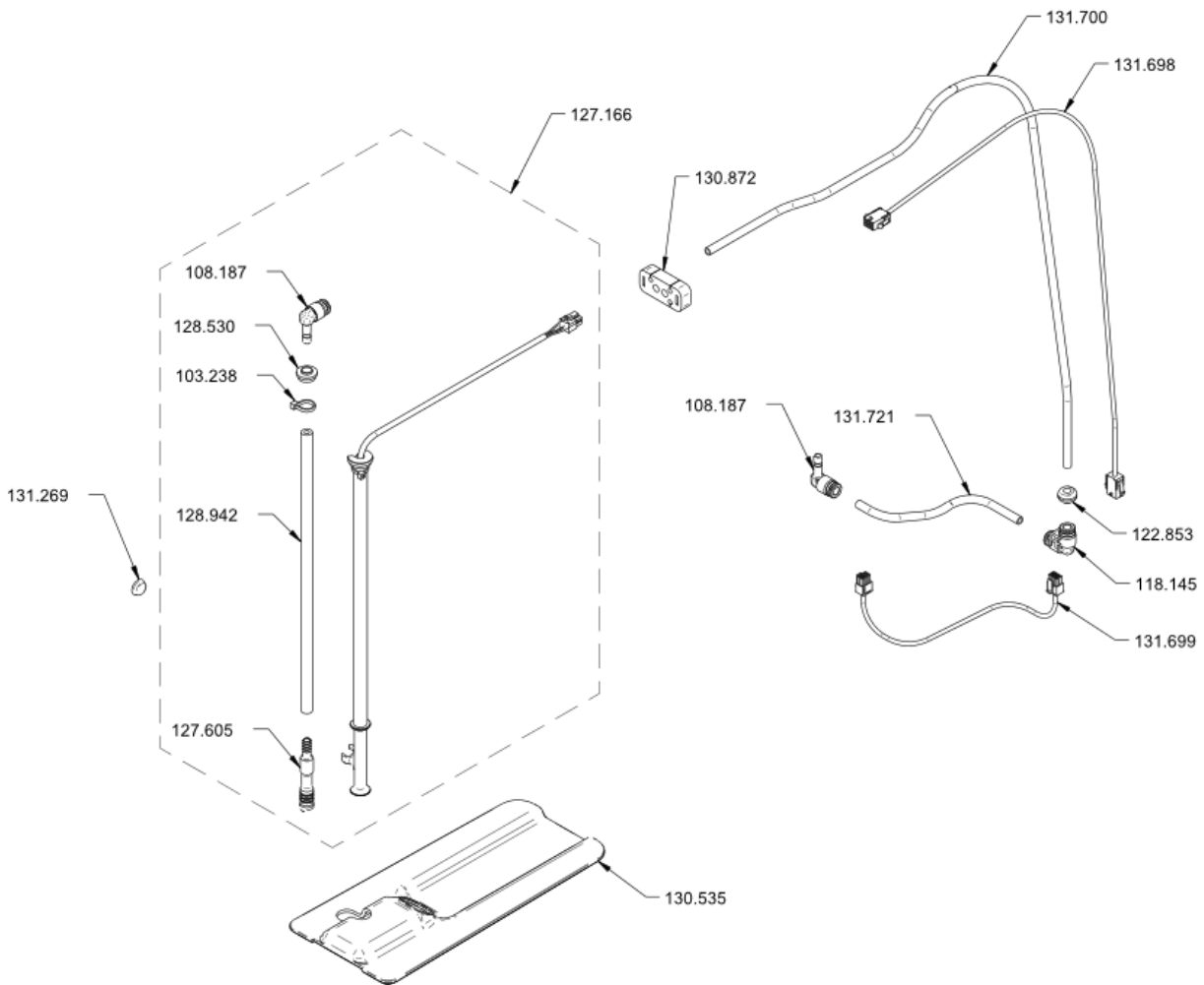
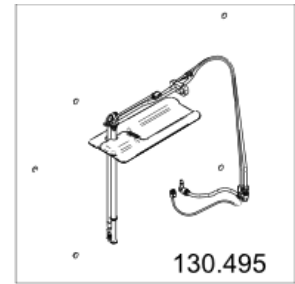
1.20.2 Chassis BW4(c) add wide cpl.



1.21 Kit BW4c CTM-RS TwinTower

Article no.	Description	Quantity
103.238	Cable tie 85/22	1
108.187	Elbow connector 6-6	1
108.187	Elbow connector 6-6	1
118.145	Angle plug connection 6-6 PVDF	1
122.853	Cable sleeve $\varnothing 6/9/14$ thickness 1.5	1
127.166	Milksuction hose Temp.-Level	1
127.605	Suction hull with filter long	1
128.530	Strain relief milktube	1
128.942	Silicone hose $\varnothing 8.5/4 \times 250$ mm	1
130.535	Cover milkcontainer rework TwinTower	1
130.872	Sealing RF Box TwinTower	1
131.269	Rubber buffer black	5
131.698	Wiring harness BW4c TwinTower machine	1
131.699	Wiring harness BW4c TwinTower connection	1
131.700	FEP pipe $\varnothing 6/4 \times 670$ mm	1
131.721	FEP pipe $\varnothing 6/4 \times 130$ mm	1

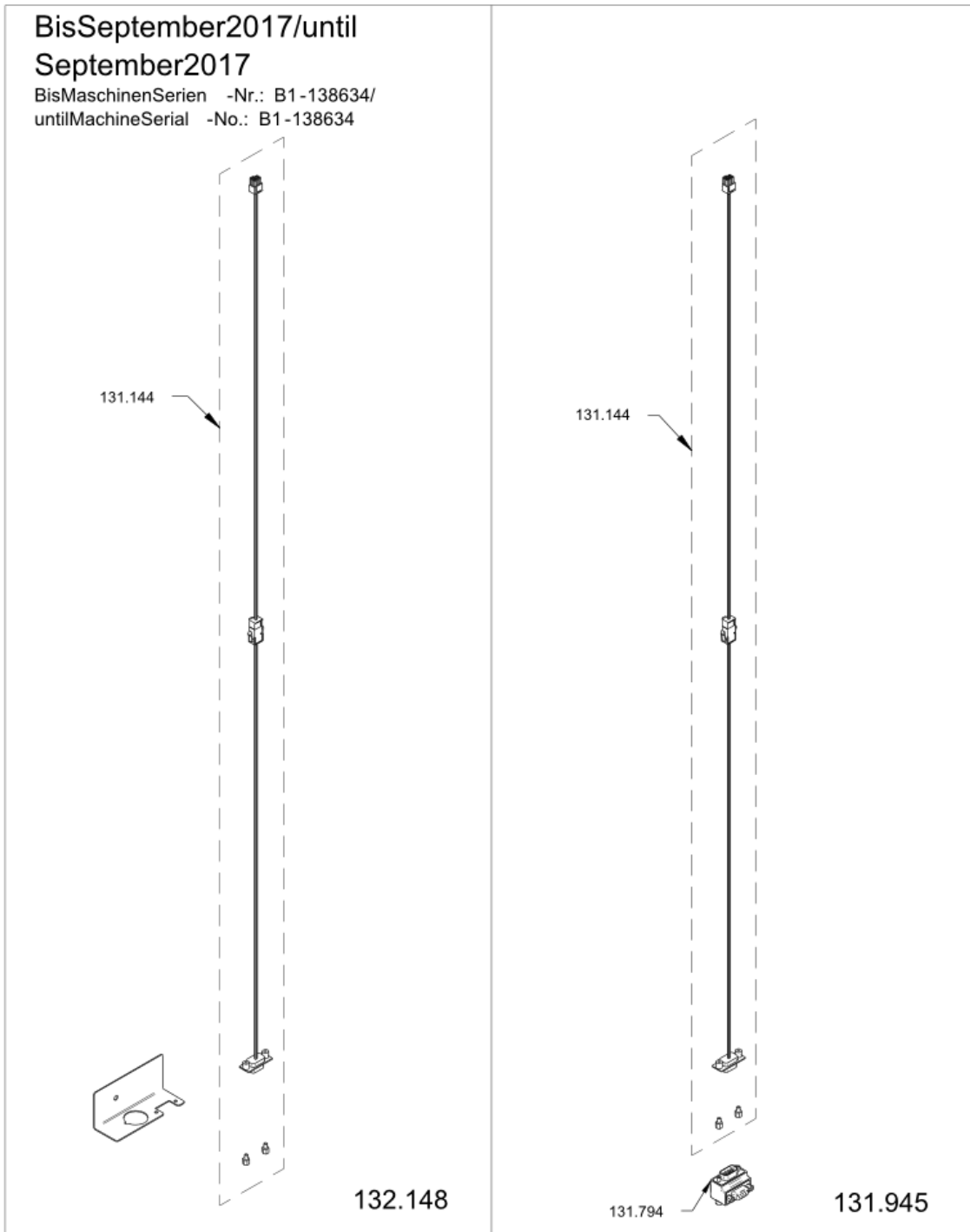
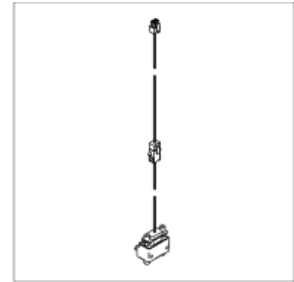
1.21 Kit BW4c CTM-RS TwinTower



1.22 Payment Interface

Article no.	Description	Quantity
131.144	Wiring harness BW4(c) interface	1
131.144	Wiring harness BW4(c) interface	1
131.794	D-Sub 90° Adapter	1
131.945	BW4c payment set	1
132.148	BW4c payment retrofit set	1

1.22 Payment Interface



1.23 Assortment of ThermoplanConnect Kit

Article no.	Description	Quantity
122.636	Receptacle RJ45	1
132.736	BW4c Cloud Interface set	1
132.738	Patch cable RJ45 flat 0.6m	1
132.739	Extension cable RJ45 0.63m	1
133.339	TP-Link Wireless Connection Box (EU) V3.0	1
133.561	TP-Link Wireless Connection Box(UK)V3.0	1
133.582	TP-Link Wireless Connection Box(US)V3.0	1
133.584	ThermoplanConnect service	1
133.613	ThermoplanConnect EU kit BW4c	1
133.614	ThermoplanConnect UK Kit BW4c	1
133.615	ThermoplanConnect US Kit BW4c	1

1.23 Assortment of ThermoplanConnect Kit

