

# Cabana shutters



# Cabana Shutters

Cabana Shutters are manufacturer of roller shutters & screens. We offer aluminum roller shutters to suit all requirements. We specialize in residential and commercial roll-up security shutters & screens for cabanas, pergola, gazebo, shed, garage doors, windows, patio doors. Our product is customized to the client's needs and job specifications. Roller shutters are the perfect solution for any home or business owner looking to increase security for their property. Roller shutters can be used to protect, improve thermal insulation, weather and more. Insulating design will keep you cool in the summer and warm in the winter. Cabana Shutters specialize in unique projects. We offer a large range of colors, slats sizes and control options. Choose from a range of electric motors, remotes, timers, battery, manual systems, spring loaded and battery systems. Combining the luxury design shutters with innovating security, these shutters bring safety in style. Our experienced team finds the shutters or screens that suit your needs. From concept to completion. Shipping within Canada & USA.

# contents

01about

02our product

03roll up shutters

04garage door

05material

06color

07screens

08our manufacture

09our service

10why choose us?

11how this work?

12contact



# our product

01 Roll up security shutters

02 Garage door

03 Screens

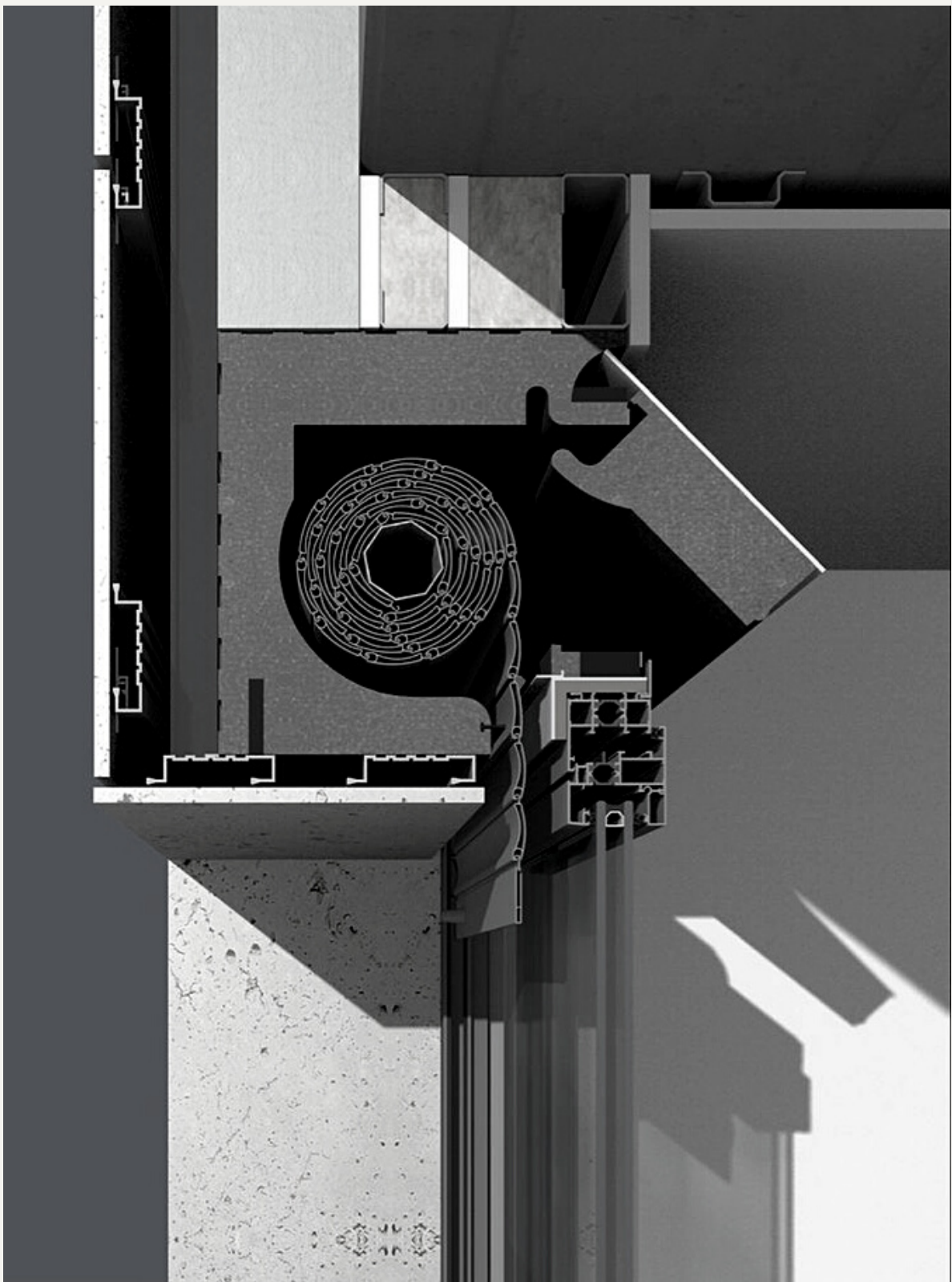
# roll up shutters

Roll up Shutter components:

Aluminium Head Box

Aluminium Slat profile (40,55,77 with foam)

Aluminium Guides and Bottom Bar



Control Type:

Tape coiler

Tape winch

Spring push up

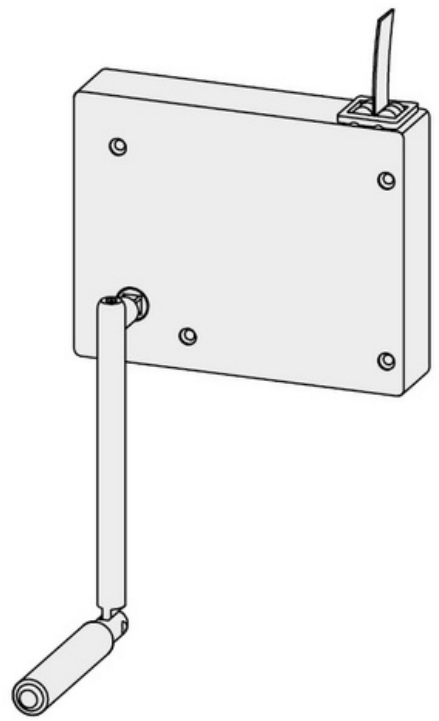
Crank

Non-Radio Motor (With key switch, switch paddle)

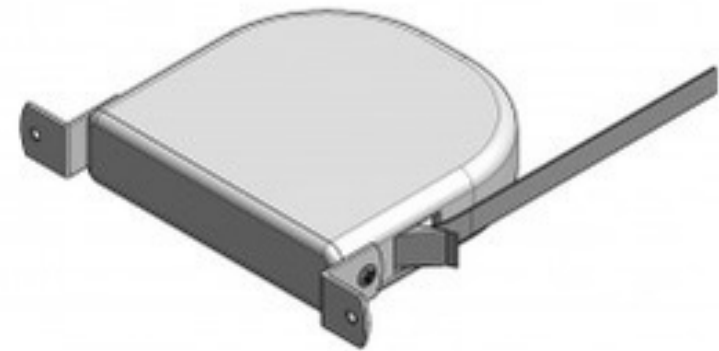
Motor with radio

Remote control

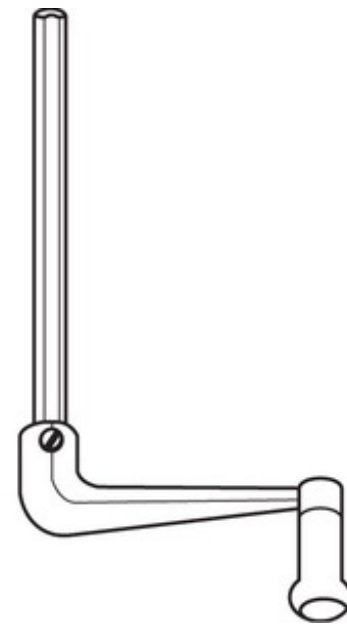




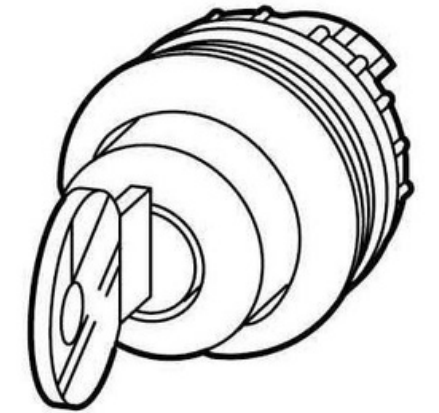
Control Type:  
Tape winch



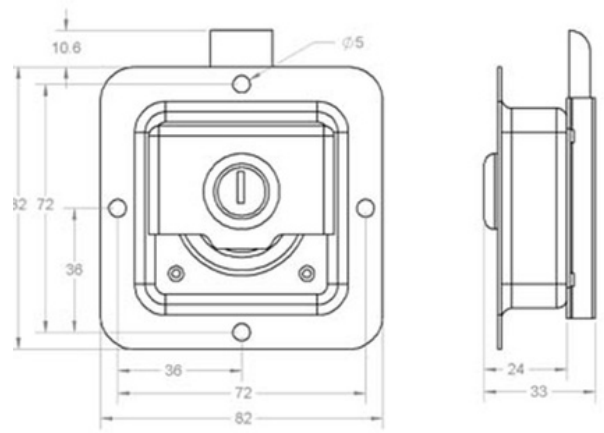
Control Type:  
Tape coiler



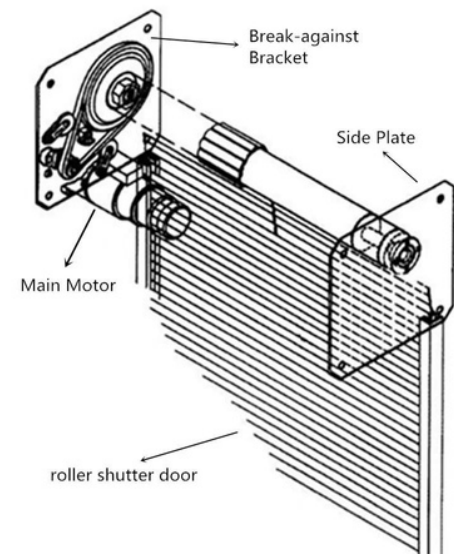
Control Type:  
Crank



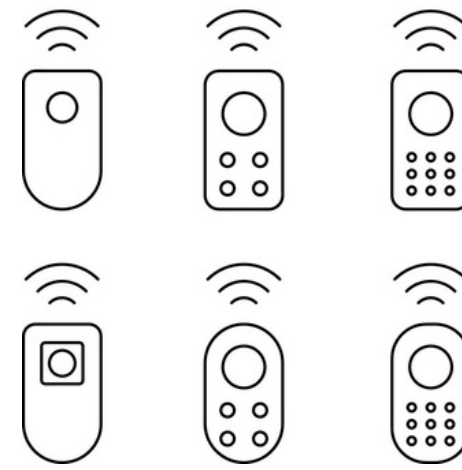
Control Type:  
Non-Radio Motor  
With key switch



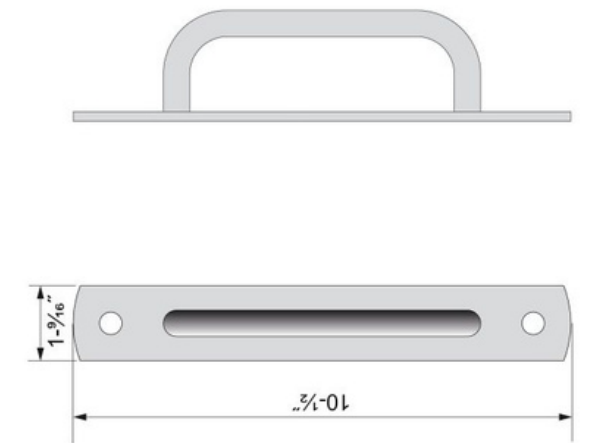
Control Type:  
Non-Radio Motor  
With key paddle



Control Type:  
Motor with radio



Control Type:  
Remote control



Control Type:  
Spring push up

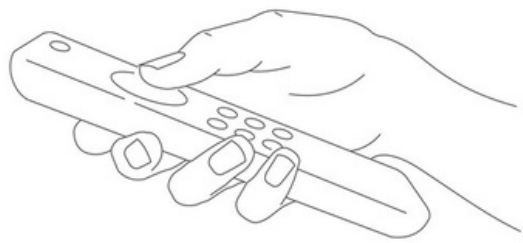
Motor Controller Type:

Hand Remote

Wall Remote

Key Ring Remote

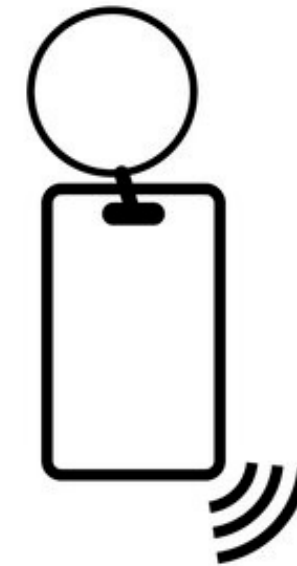
Wireless Keypad



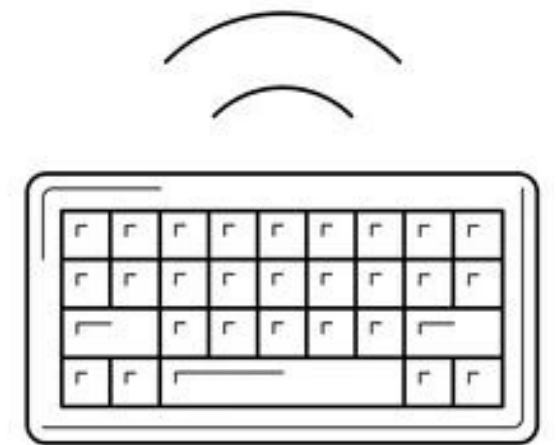
Motor Controller Type:  
Hand Remote



Motor Controller Type:  
Wall Remote



Motor Controller Type:  
Key Ring Remote



Motor Controller Type:  
Wireless Keypad

# garage door

Garage door components:

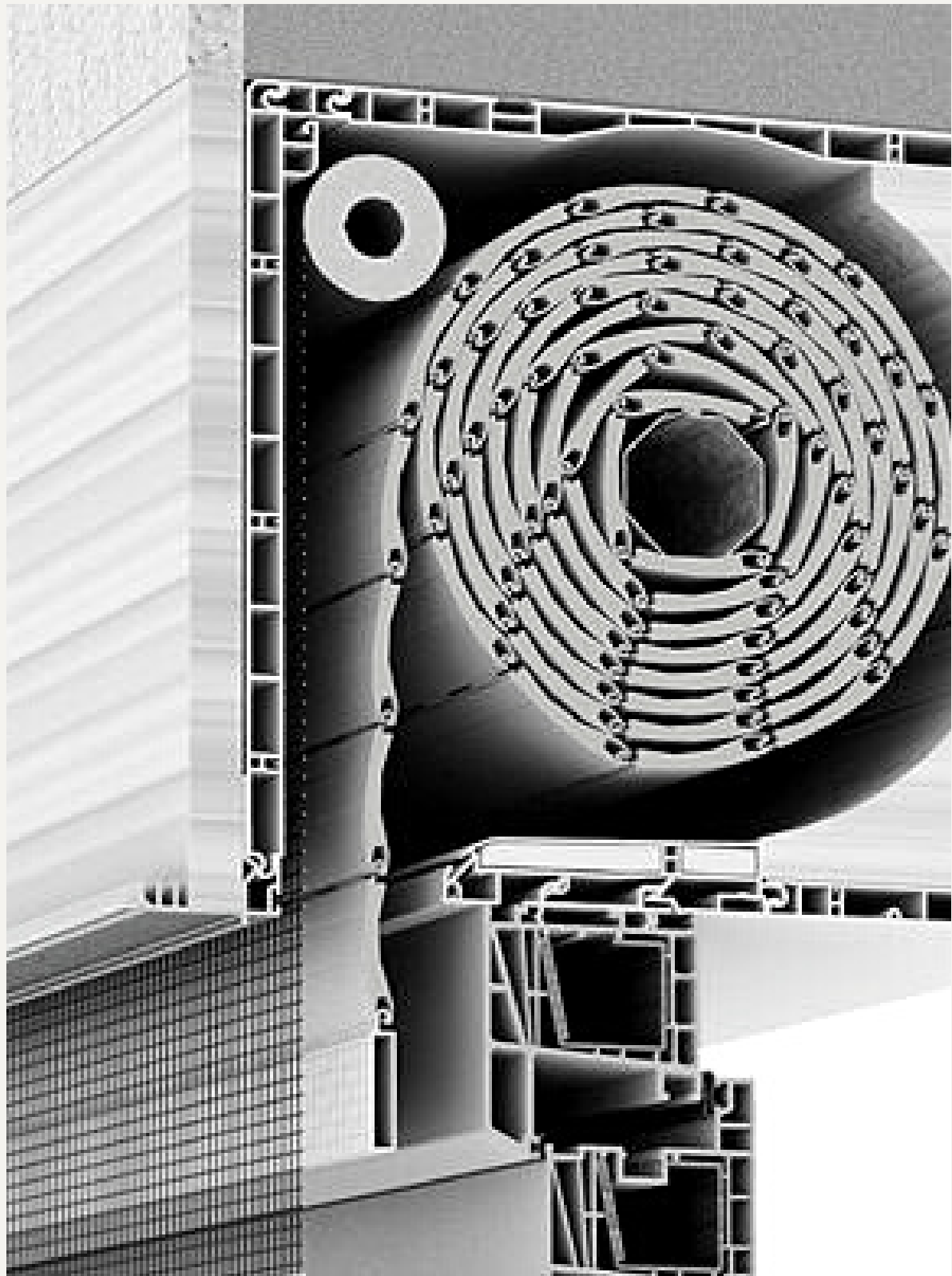
Lift master system

850 LM Receiver

SMC

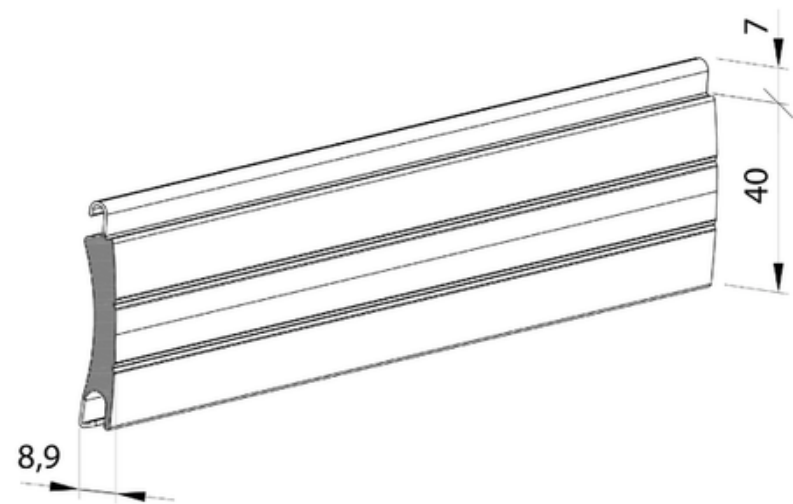
Photocell for SMC

Aluminium Slat profile 77 with foam



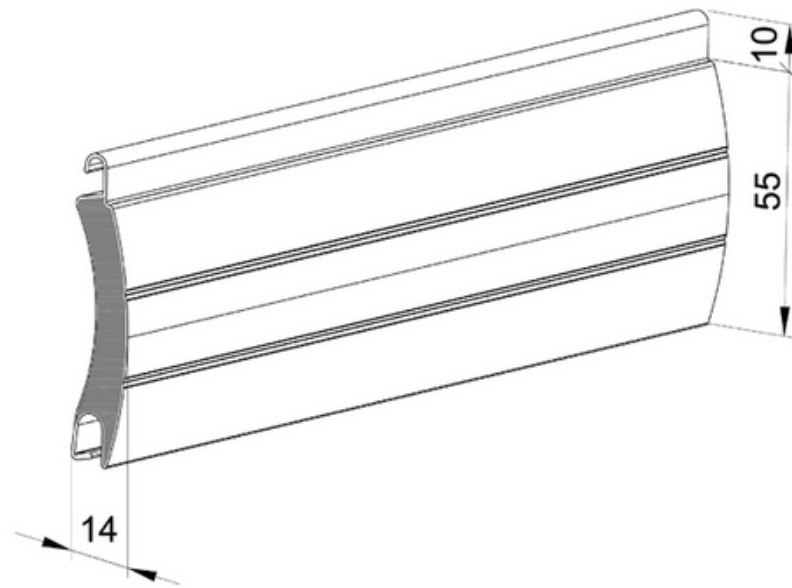
# material

of roll up security shutters & garage doors



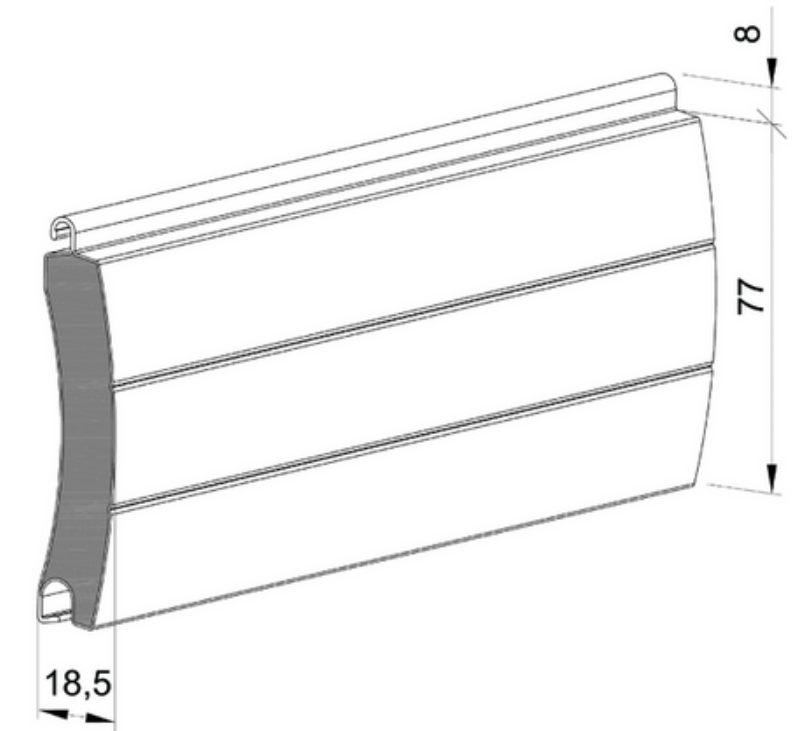
PA40

Technical data:  
 Weight 1m<sup>2</sup>: 3.3 kg  
 Profile thickness: 8.7 mm  
 Number of slats on 1m height: 25 pc  
 Maximum surface of the product: 7 m<sup>2</sup>  
 Profile height: 40 mm  
 Maximum width of the insect screen: 2000 mm .



PA55

Technical data:  
 Weight 1m<sup>2</sup>: 3.4 kg  
 Profile thickness: 14 mm  
 Number of slats on 1m height: 18 pc  
 Maximum surface of the product: 9.5 m<sup>2</sup>  
 Profile height: 55 mm  
 Maximum width of the insect screen: 2000 mm .



PA77

Technical data:  
 Weight 1m<sup>2</sup>: 4.8 kg  
 Profile thickness: 18.5 mm  
 Number of slats on 1m height: 13 pc  
 Maximum surface of the product: 15 m<sup>2</sup>  
 Profile height: 77 mm .



# color option

of roll up security shutters & garage doors

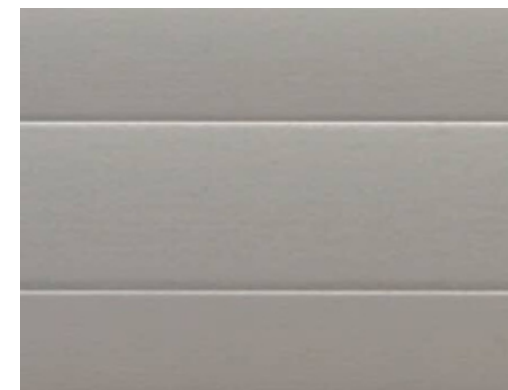
# Standard Colors



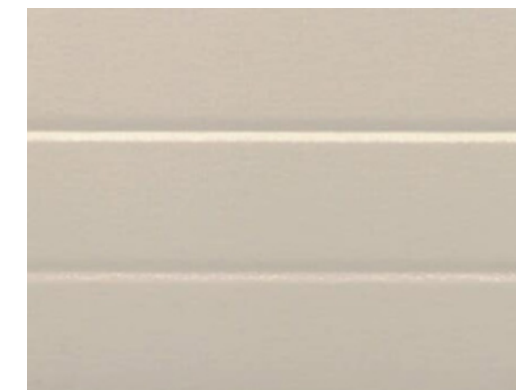
01 silver



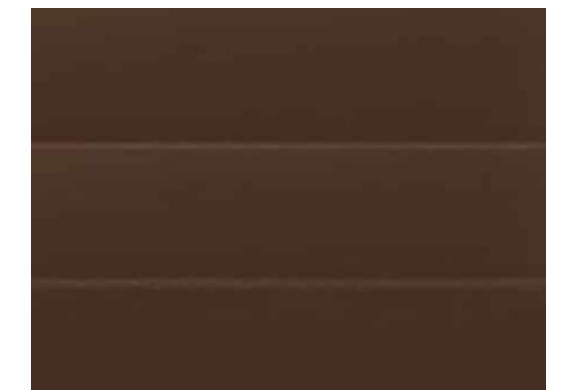
02 white



03 grey



04 beige



09 brown

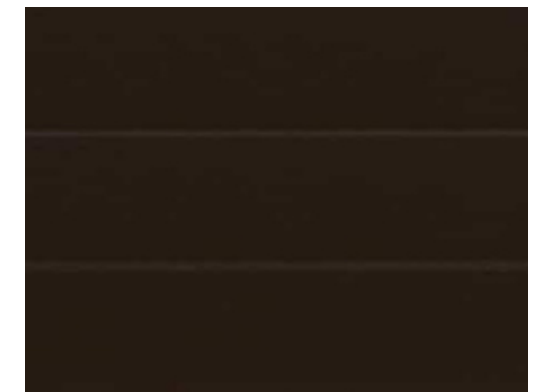


23 anthracite grey

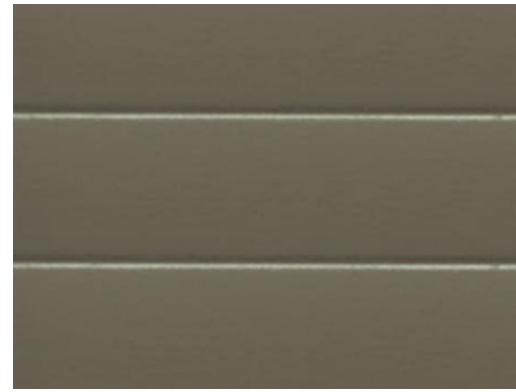
# Premium Colors



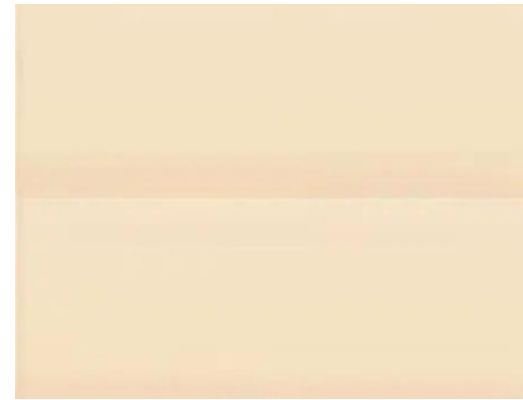
20 black



08 dark brown



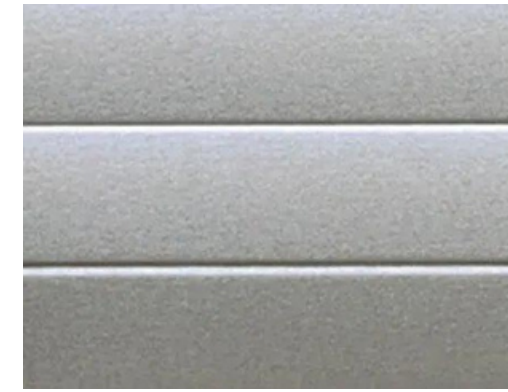
71 chartwell green



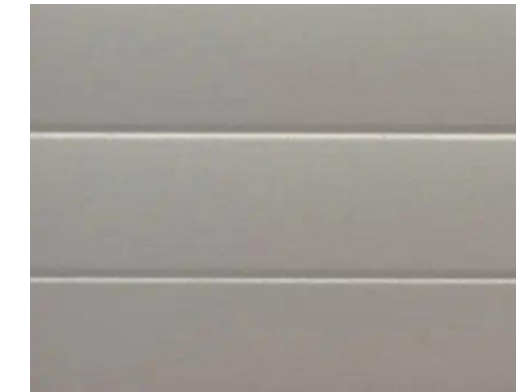
16 ivory



52 winchester



33 basalt grey



31 light grey



28 nut



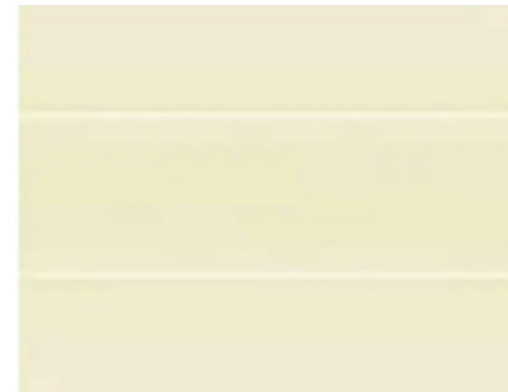
27 cherry



26 mahogany



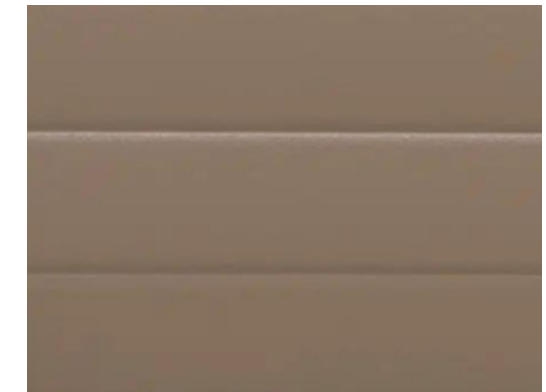
24 golden oak



15 cream white



12 red

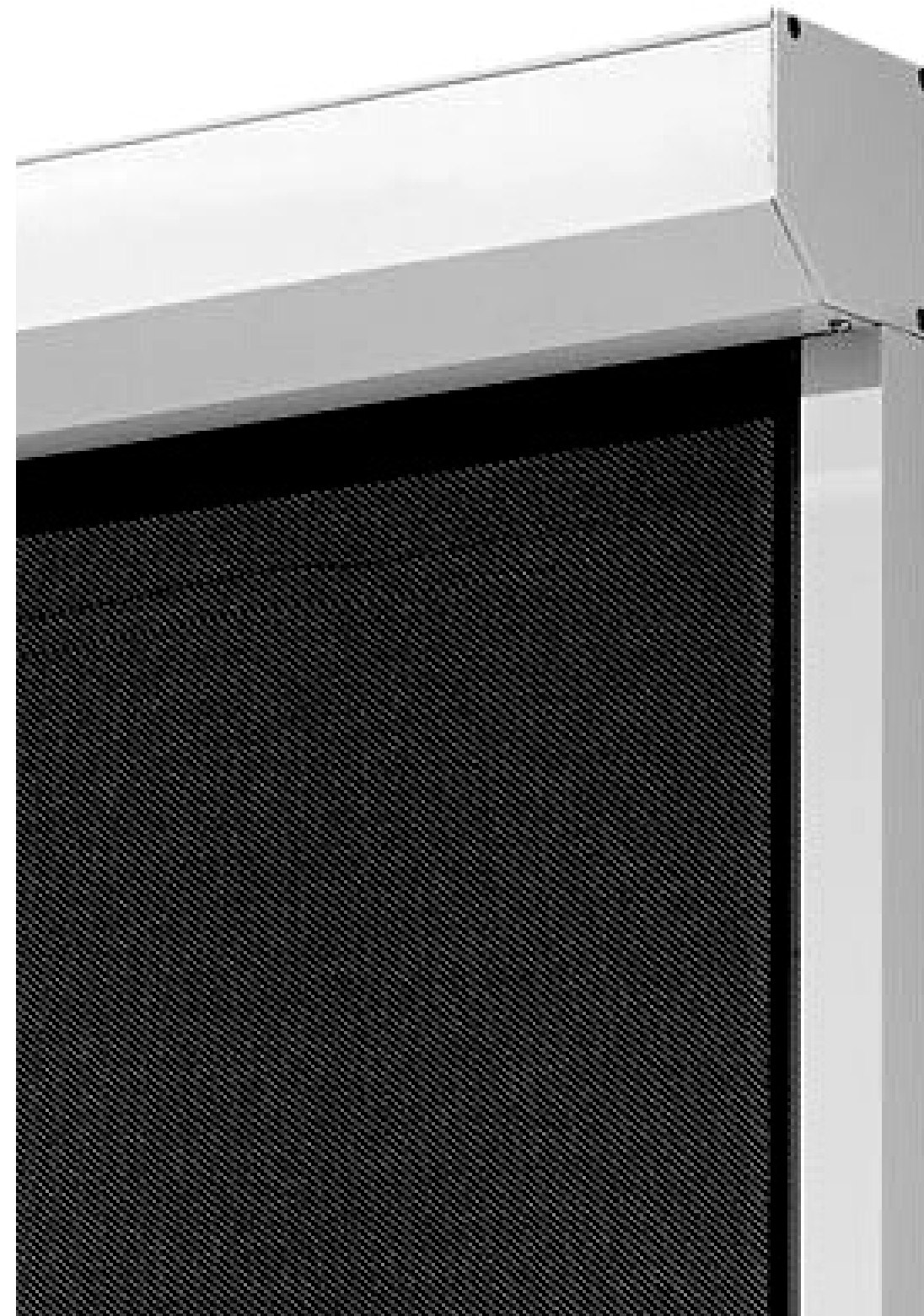
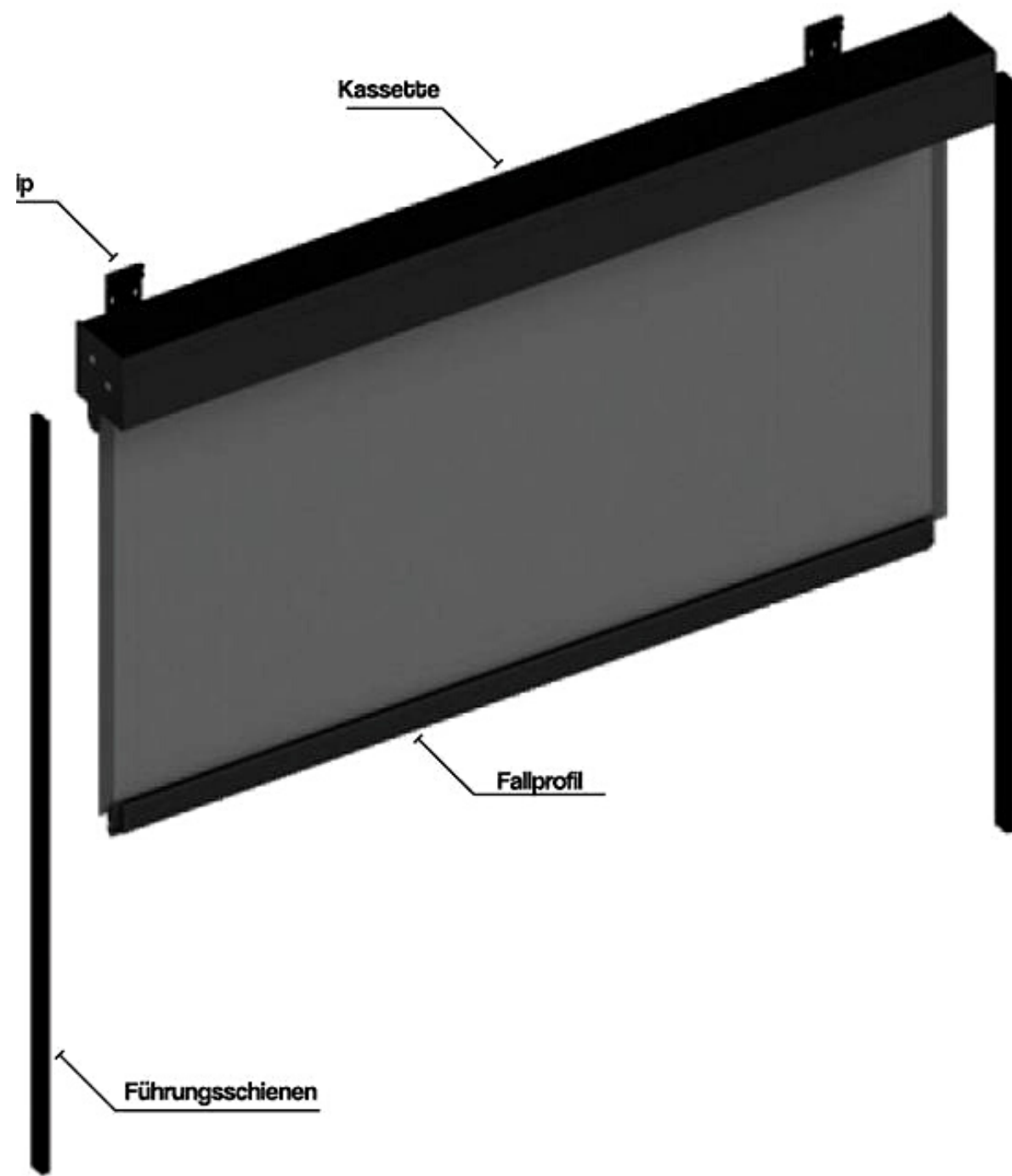


04 dark beige

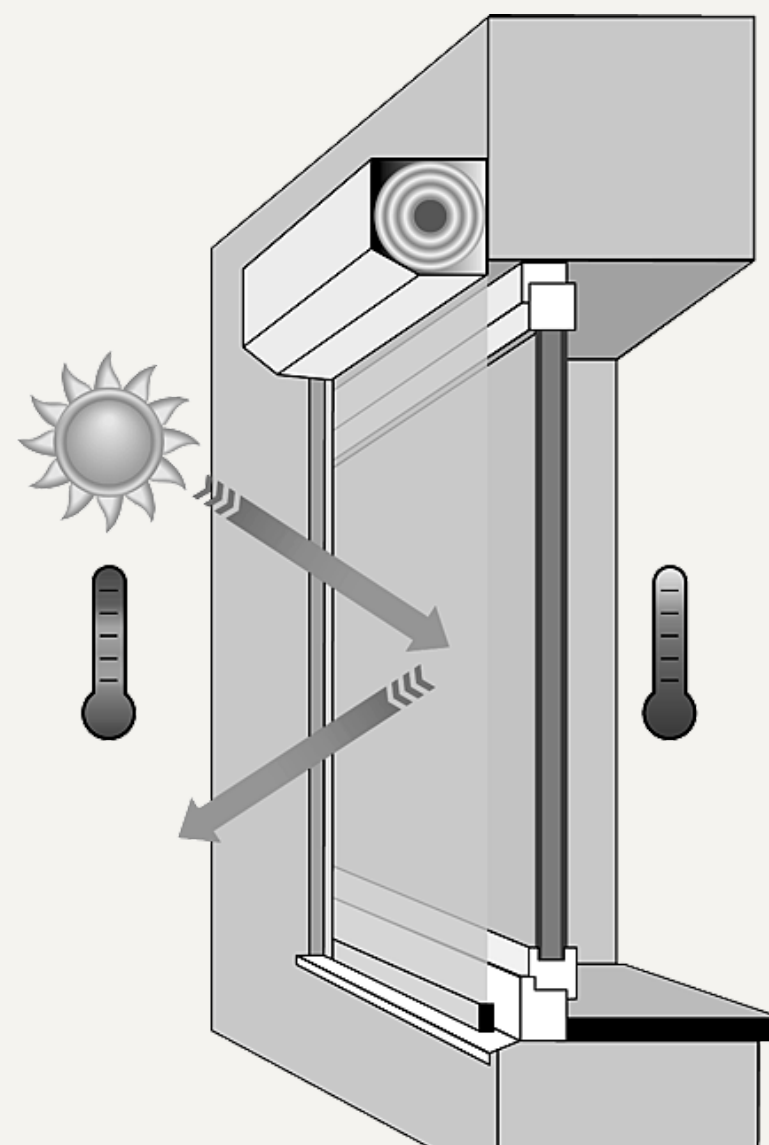
# Optional Colors

# screens

Energy-efficient screens components:  
Aluminium panel Box  
Aluminium guide rails  
Exterior rated fabrics  
Manual, motorized and remote control







Energy-efficient Screens are designed to provide superior solar protection, mitigate UV damage and optimize thermal comfort. Regulate thermal temperatures easily with environmental sensors to automatically lower and raise your screens without a thought.



# color option

of frame screens

## Standard Colors



01 silver



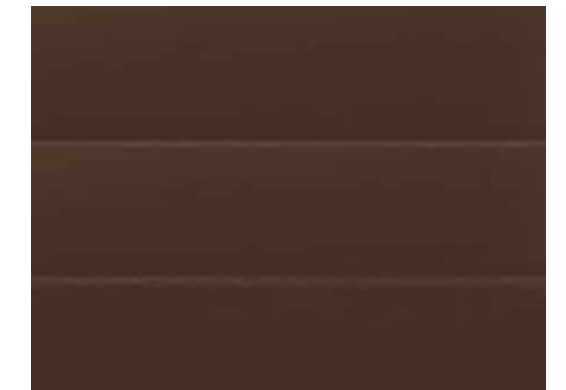
02 white



20 black



04 beige



09 brown

Frame components are available in 5 stock colours or 1800 custom colours to match your decor perfectly

our manufacture



30 years of  
experience

Team of  
professional

Material  
is always  
available

European  
equipment



our service

Accelerated  
production

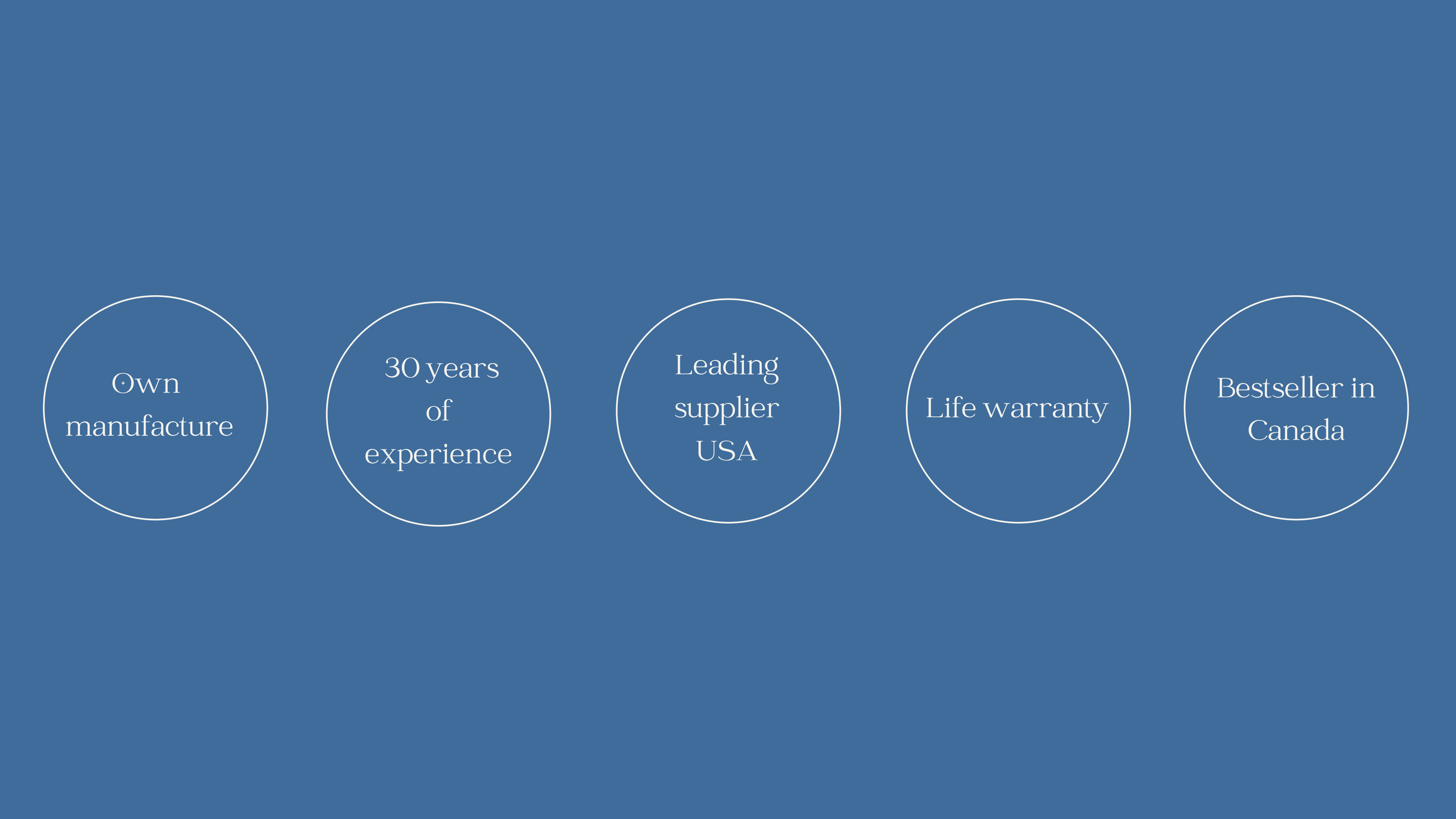
Shipping

Installation

Post service

why choose us?





Own  
manufacture

30 years  
of  
experience

Leading  
supplier  
USA

Life warranty

Bestseller in  
Canada



how this work?



get in touch!

t. 1 (437) 286-7545

Roman Hrybov

[info@cabana-shutters.com](mailto:info@cabana-shutters.com)

thank you!