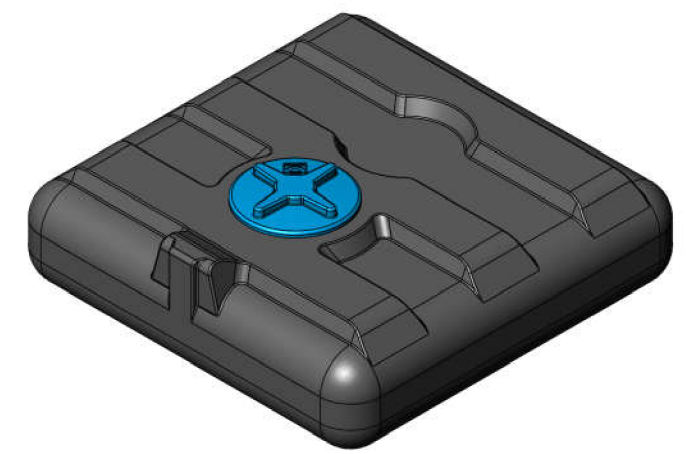
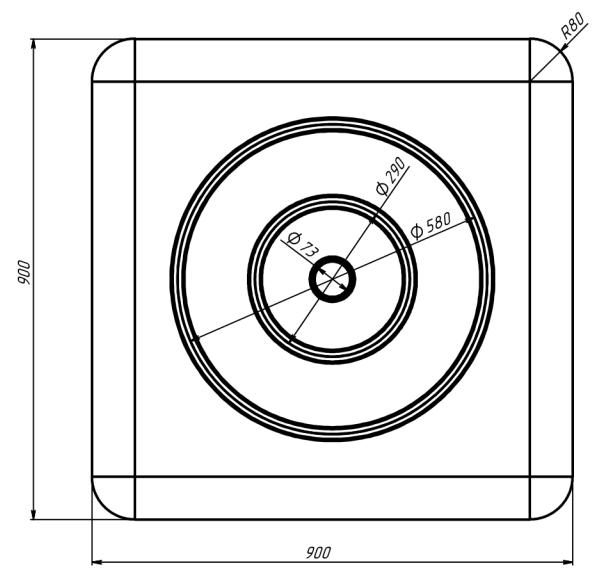


CROSS-SECTION A-A



УХП.14.06.Dush_160.02			
Shower 160	9	Scale	
		1.5	
Polyethylene LDPE		Укрхимпласт®	