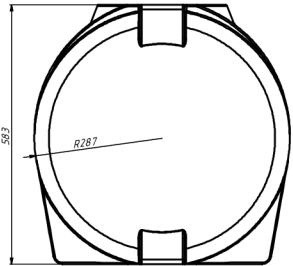
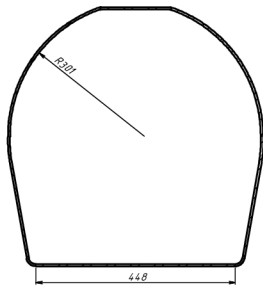
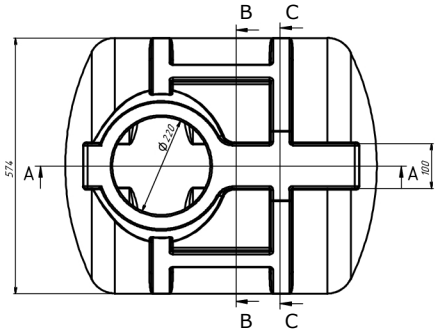


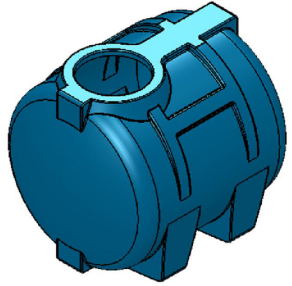
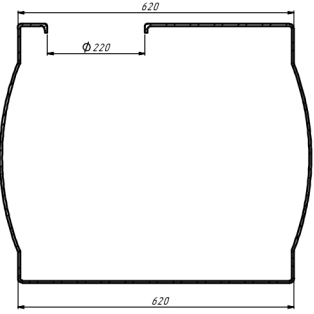
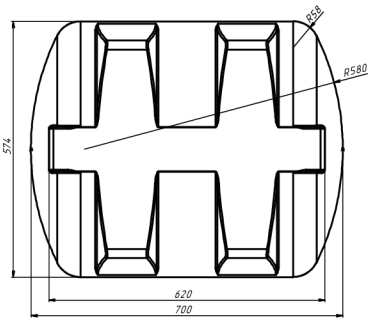
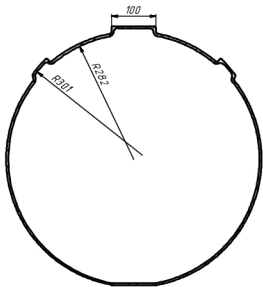
CROSS SECTION C-C
SCALE 1:4



CROSS SECTION B-B
SCALE 1:4



CROSS SECTION A-A
SCALE 1:4



УХП.14.06.G150.02	
Tank G150	Weight: 6, Scale: 1:5
Polyethylene LDPE	Українська