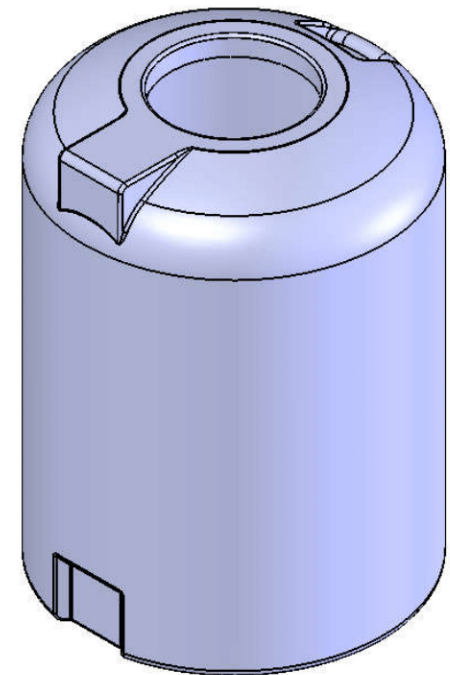
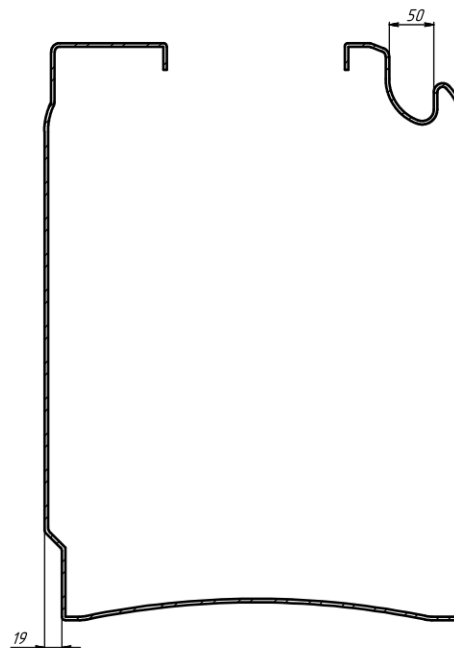
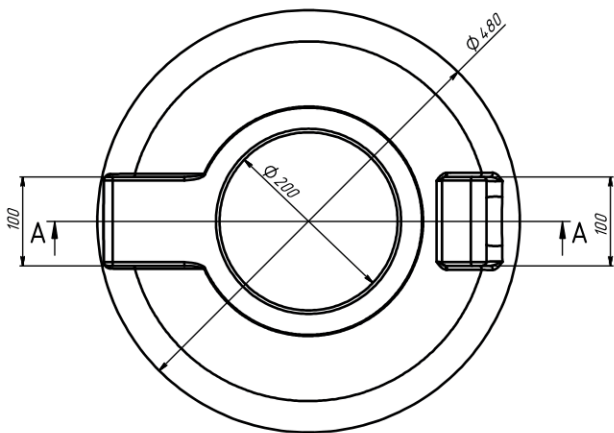


CROSS-SECTION A-A  
SCALE 1:3



УХП.13.07.V100c.02			
Tank V-100	Weight	-	Scale 1:3
Polyethylene LDPE			