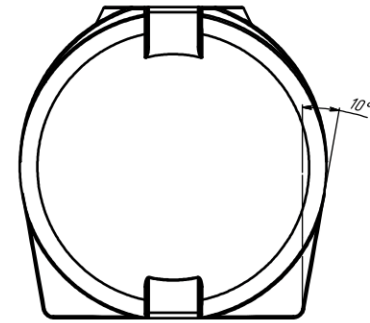
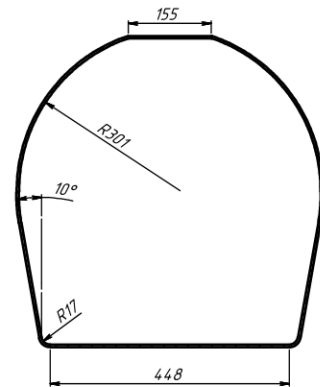
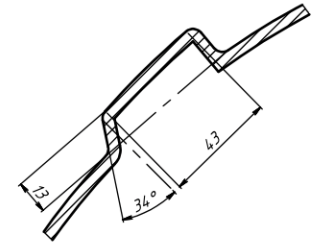


CROSS-SECTION C-C
SCALE 1:5

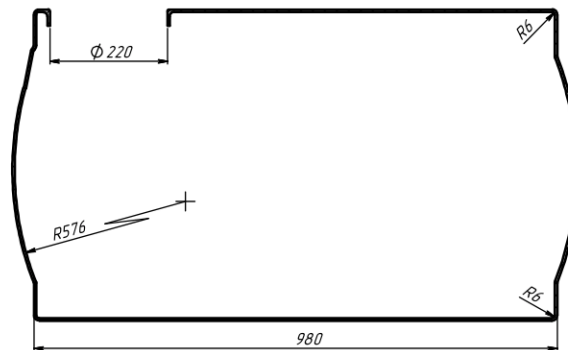
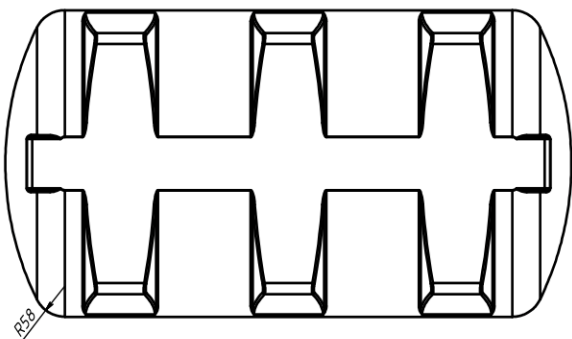
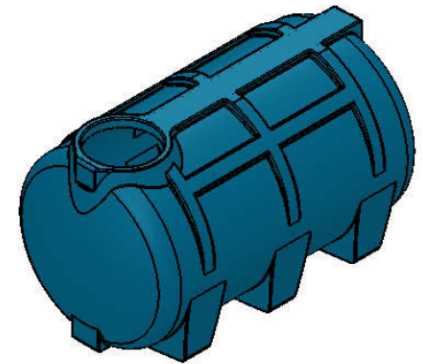
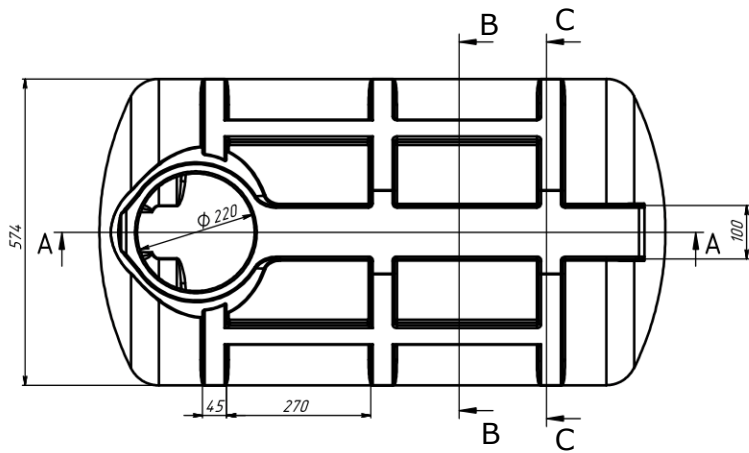
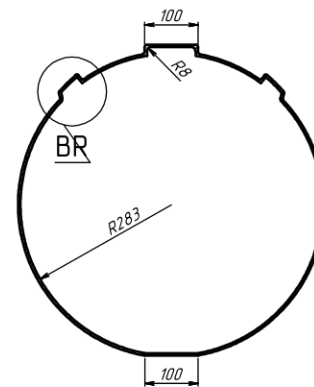


CROSS-SECTION B-B
SCALE 1:5

LOCAL SCALE 1:1



CROSS-SECTION A-A
SCALE 1:5



4XП.12.07.Г250.05			
Horizontal tank G-250	Weight	Scale	1:5
Polyethylene LDPE			