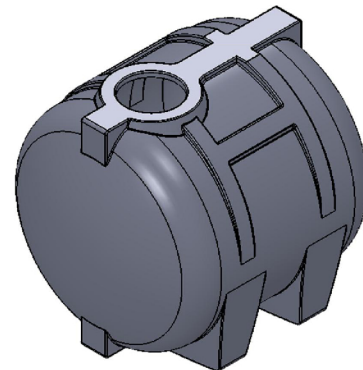
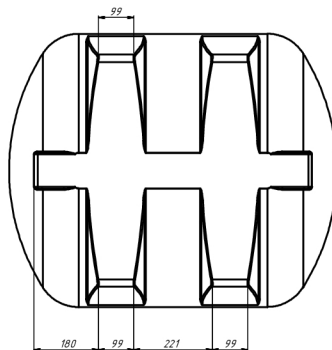
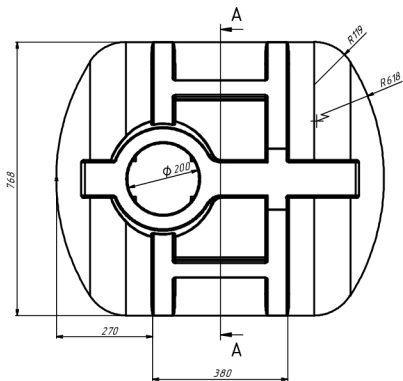
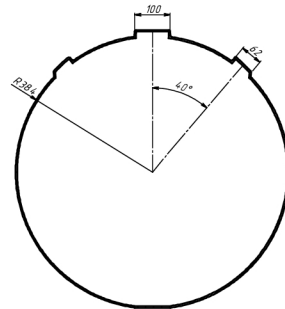


CROSS SECTION A-A



УХП.14.08.G.350.01

Horizontal tank 350l

Weight	Scale
12	1:7

Polyethylene LDPE Укрхимвнари