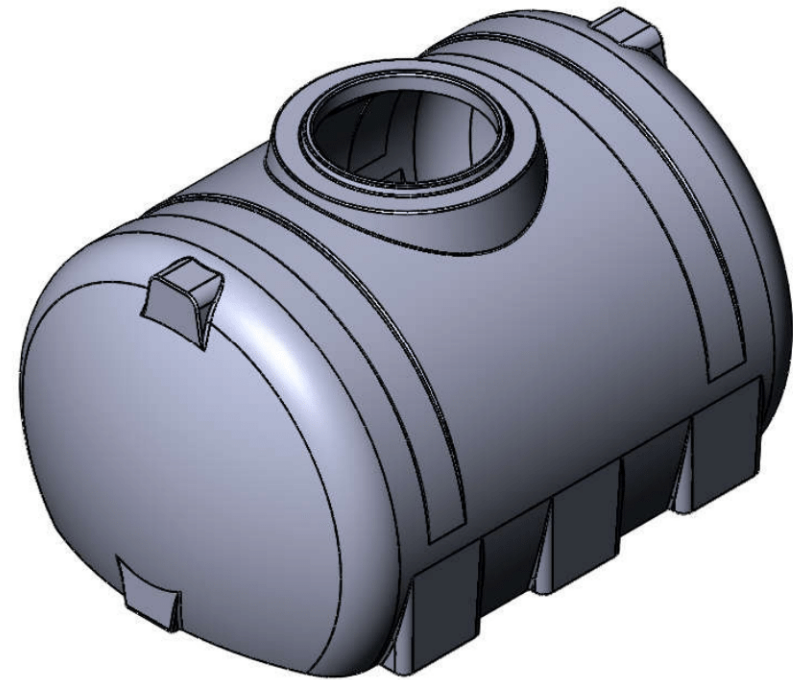
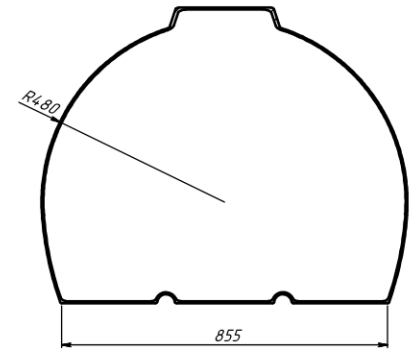


CROSS-SECTION A-A
SCALE 1:7



| | | | |
|-------------------|--|--------|-------|
| 4XП.20.10.G750.03 | | | |
| Tank G-750 | | Weight | Scale |
| | | - | 1:7 |
| Polyethylene LDPE | | | |