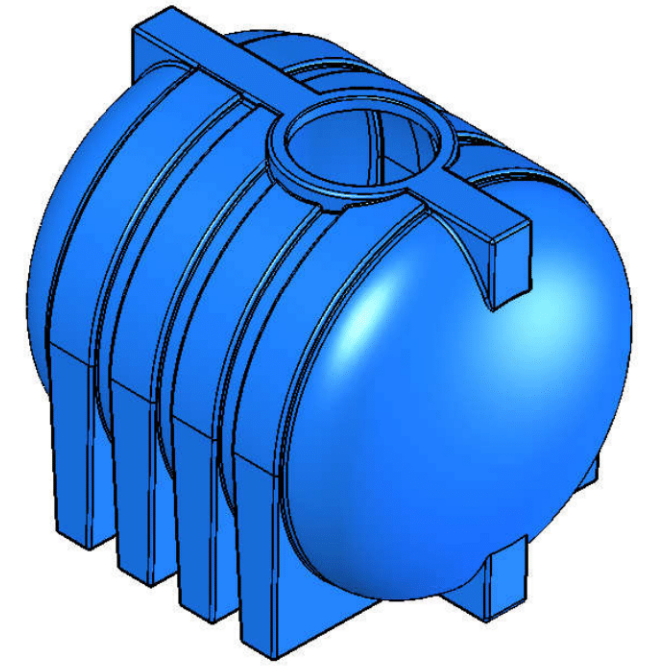
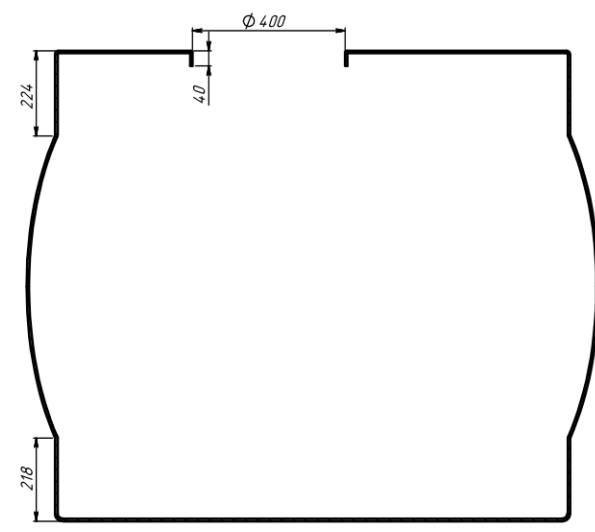
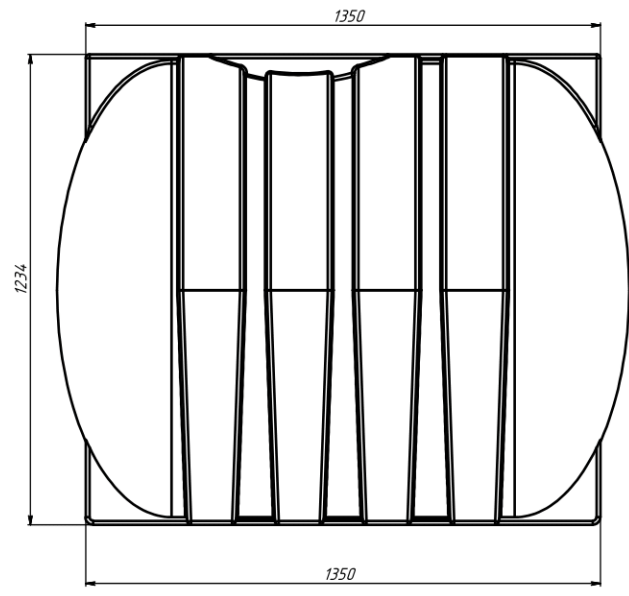


CROSS-SECTION A-A
SCALE 1:7



4X11.12.11.G1500.06			
Tank G-1500	Weight	Scale	1:7
Polyethylene LDPE			