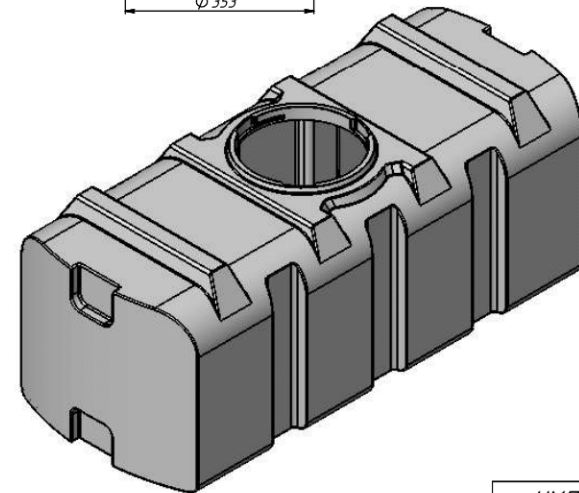
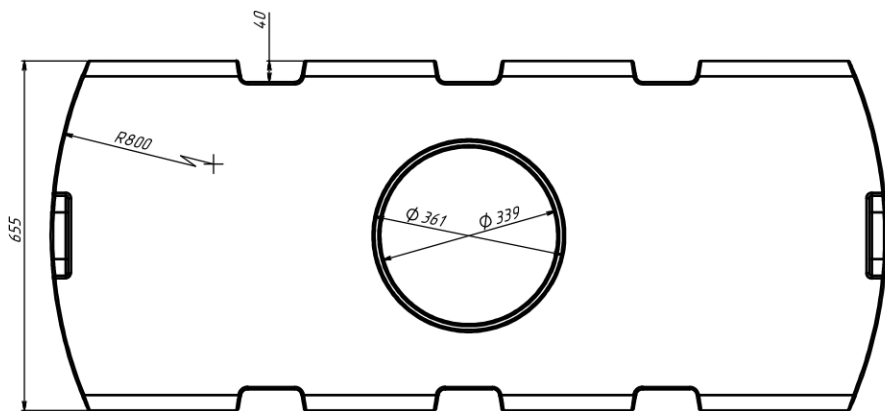
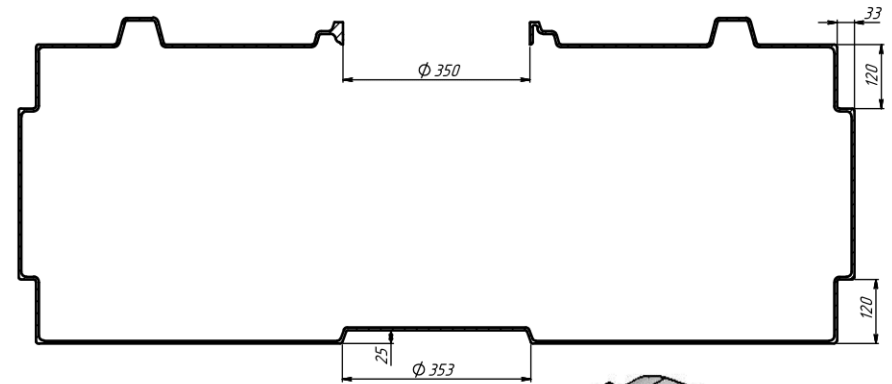
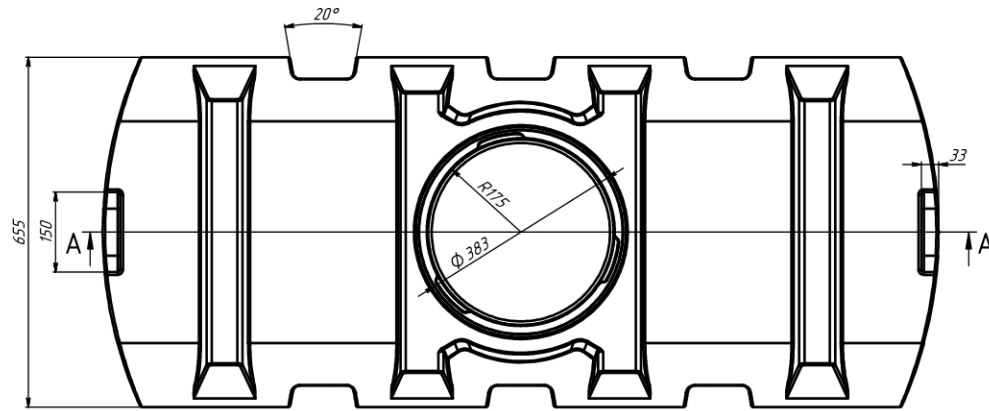


CROSS-SECTION A-A



1. Permissible dimensional variation ±1,5%

4XП.13.03.SK500.05			
Tank SK-500E	Weight	Scale	1:5
Polyethylene LDPE			