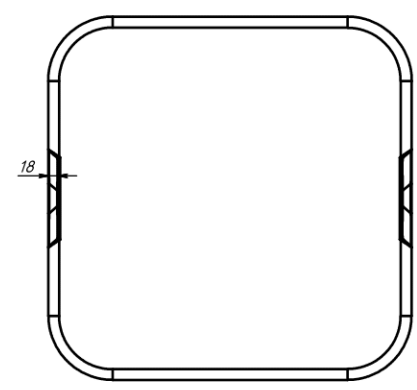
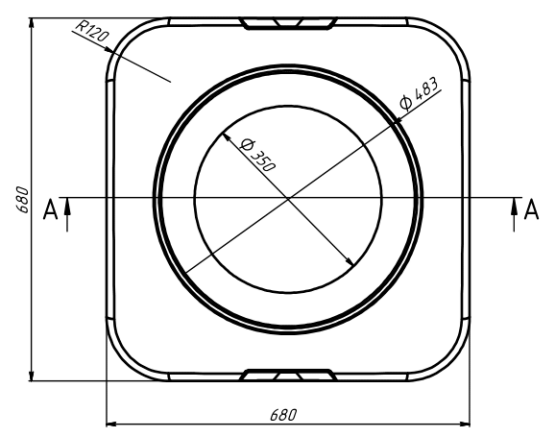
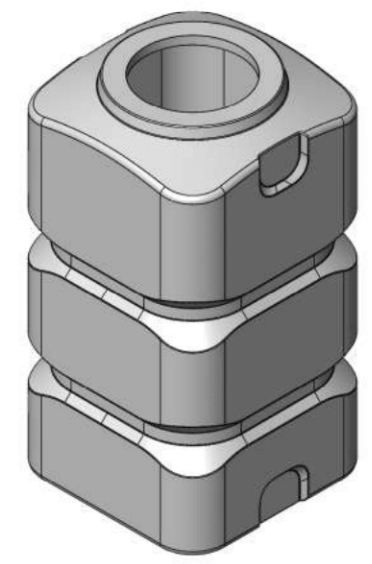
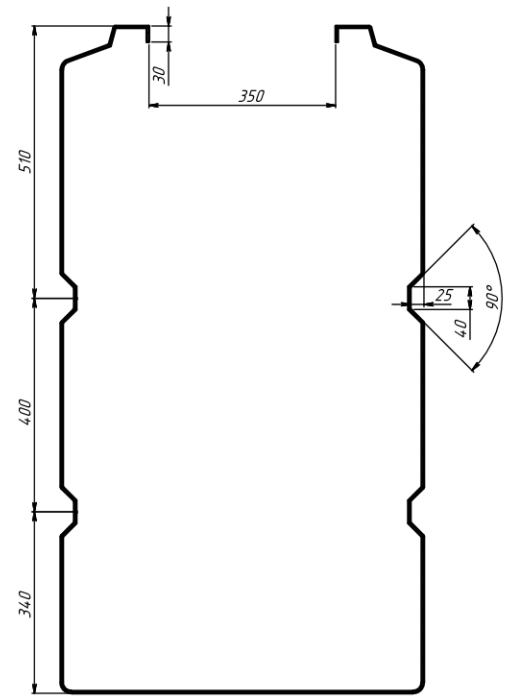


CROSS-SECTION A-A
SCALE 1:5



| | | |
|---------------------|---|--------------|
| УХП.23.08.БК500Р.01 | | Scale |
| Tank БК-500Р | - | 1:5 |
| Polyethylene LDPE | | Укрхимпласт® |