

METALIX

STEEL AND GLASS





**Premium solutions for
your interior zoning.**

Just Steel & Glass



“

So what is Metalix?

Uncompromising quality and reliability, style and aesthetics of a vast variety of glass, functionality of the world's top hardware, and tactile sensations from heavy cold metal that cannot be felt through the photos. All these are the feelings that our customers get through our product.

When creating Metalix, I had several goals. The first is to give the world a product that will become a standard for zoning space in homes, offices, and commercial real estate. The second is the desire to develop a manufacturing business in Ukraine, to create working places and a brand that will glorify Ukraine far beyond its borders.

The third is to make our customers more confident, successful and happier through communication with our brand. I believe that ambitions and goals drive the world forward, and the further our goals reach, the greater result we can all achieve. So let's move only forward and not stop. I wish you success and a pleasant introduction to Metalix products.

Taras Barshchovskyi
Founder & CEO, Metalix

A handwritten signature in black ink, appearing to read 'Taras Barshchovskyi', written over a light green background.

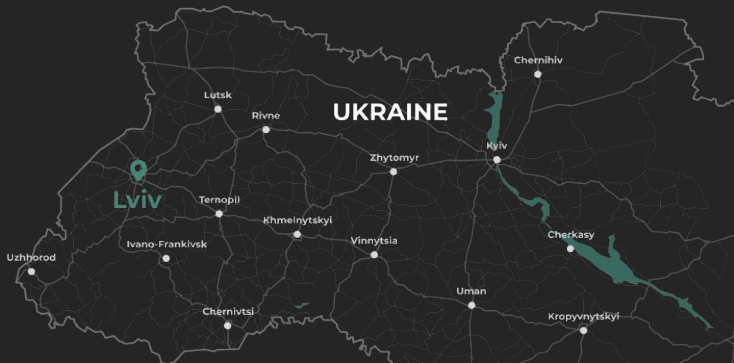


METALIX

About Us

Metalix was founded in 2020 by Taras Barshchovskiy, an IT specialist, and Taras Otkovych, an expert in furniture manufacturing. Over the years, the company opened its own showroom and office in Lviv (Ukraine), expanded its production facilities, connected hundreds of designers and architects to cooperation, got dozens of dealers on the territory of Ukraine, and also entered the export markets of Canada, Germany, Great Britain, and Italy. The greatest value for us is our clients and partners. We strive to ensure that cooperation with us always goes beyond expectations, and the Metalix brand gives not only top solutions for zoning but also emotions.

The team is the core of any business. We are sure that the result of one employee is the result of the entire company. One of the first values of our company is to take the initiative, take responsibility, and give 100% in work. We need to work with a sense of our own business because the Metalix company is our typical home. Each team member is a professional in their niche, which allows us to achieve maximum results and give clients a level of service that impresses them with its care.





Showroom

The product is the company's heart, and the showroom is its face. That is why we made great efforts to build a showroom of steel and glass partitions and doors, which is unique in Ukraine (see photo below). Here you will feel the authentic atmosphere of Metalix, see for yourself the outstanding quality of the products, understand why the photo only conveys some of the product's aesthetics, and receive professional advice from our managers.



Product Lines

We love our product for its variety. Regardless of the interior style of our customers, we will definitely find the perfect option. MetalX is not about a specific type of design but about the most functional and aesthetic solution to the zoning problem.

However, to make a choice as easy as possible for our customers, we have highlighted 3 key styles in which customers most often order our constructions:

- Classic
- Loft
- Industrial





CLASSIC

CLASSIC

CLASSIC





CLASSIC

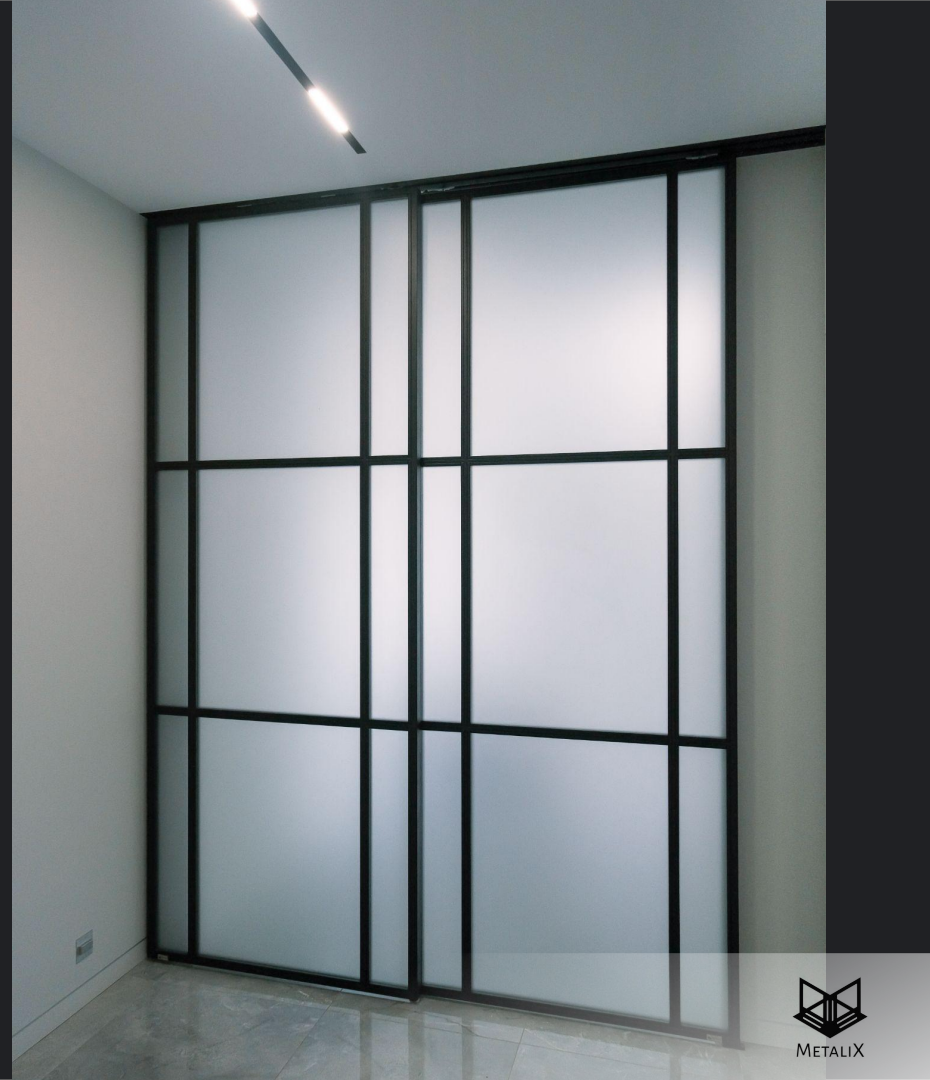
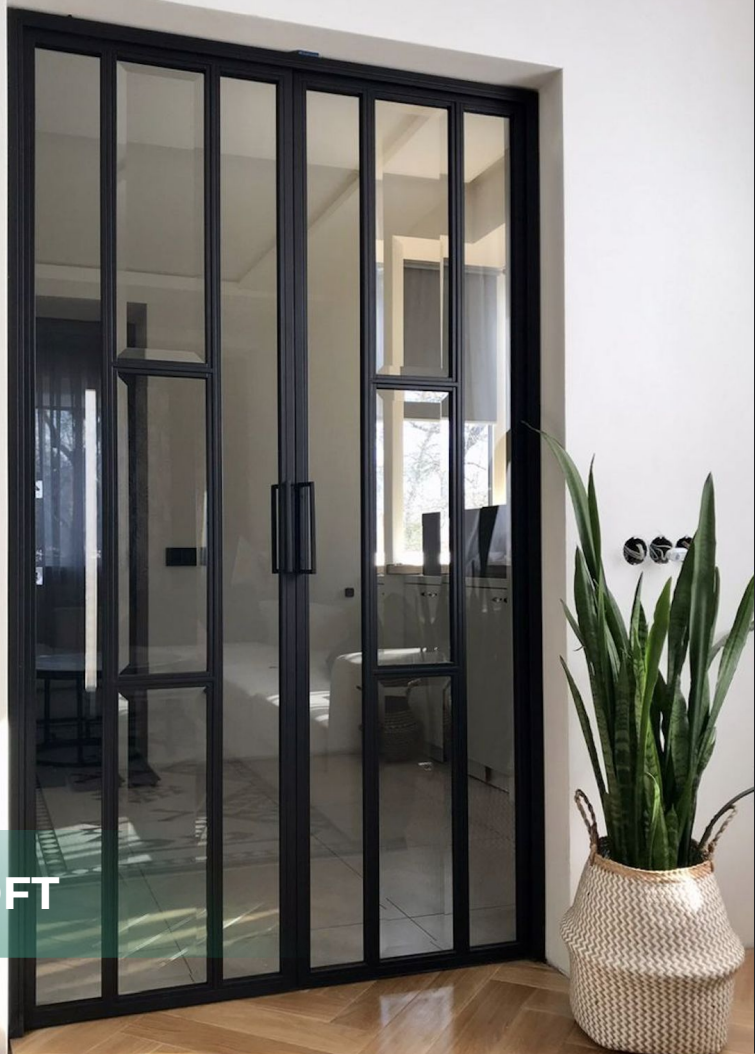


LOFT



LOFT

LOFT



METALIX

LOFT

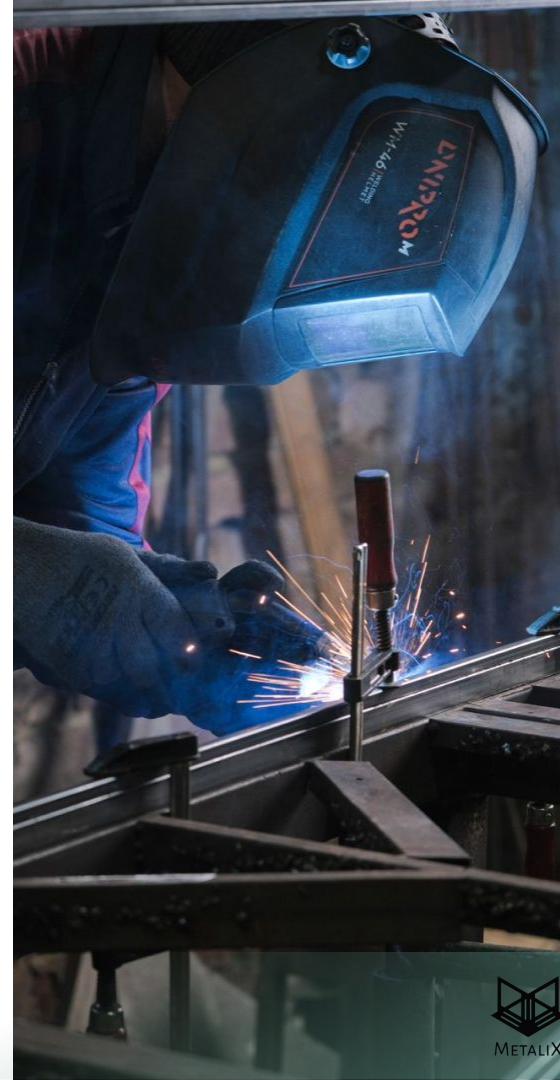
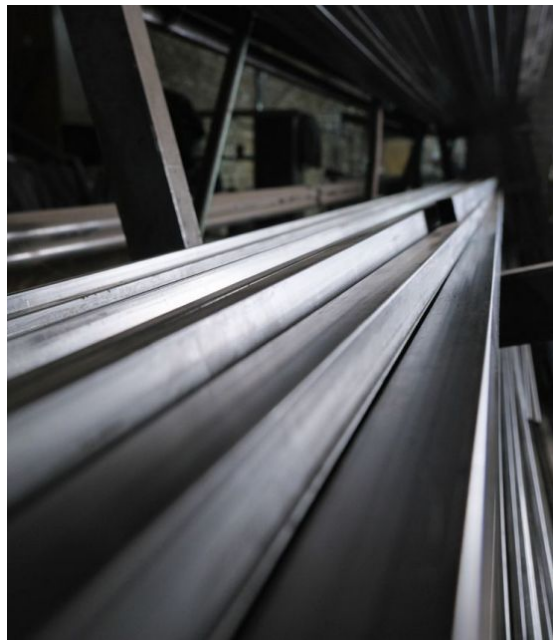


INDUSTRIAL

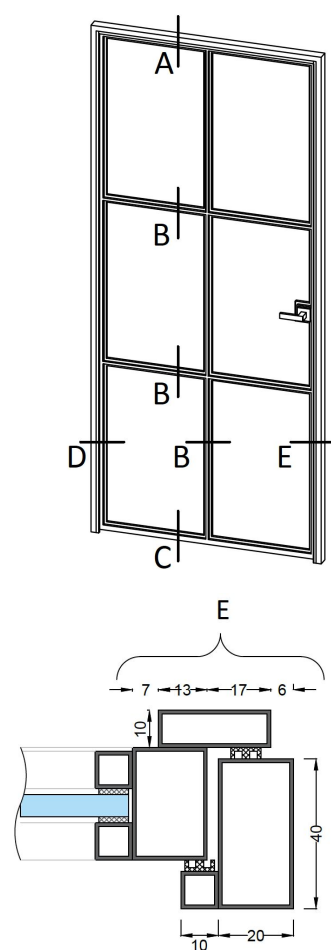
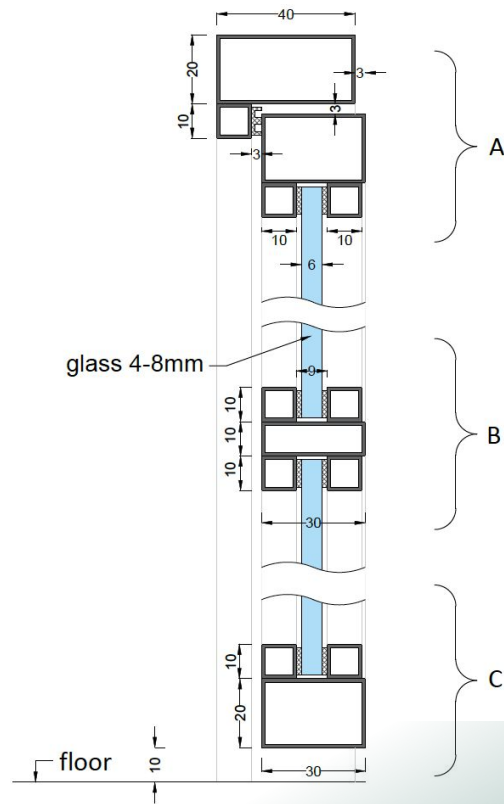
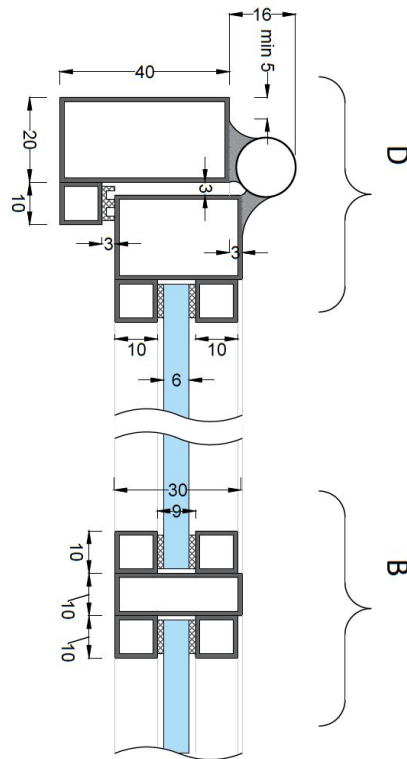
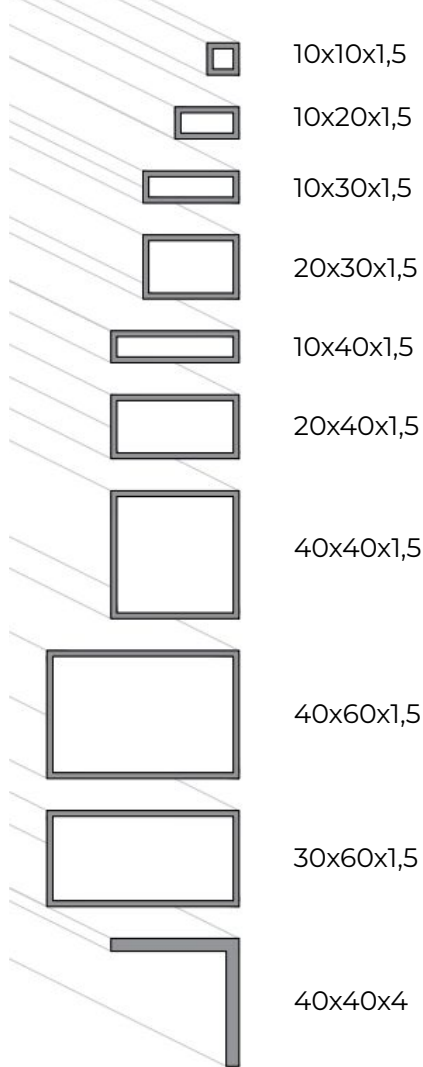


All starts from the steel

The basis of our designs is metal profile pipes made of cold-rolled steel. Depending on the size, shape, division into cells, and the type of door, frames are welded from them, and the necessary technical openings are made. After welding, the structures undergo a surface preparation stage for uniform distribution of the colouring composition; they are subjected to additional processing.



Frames Structure





Perfectness in details

All frames go through the sandblasting stage. This technique allows you to eliminate the slightest signs of corrosion processes, to eliminate the remains of dust and surface defects. Thanks to this approach, polymer paint is evenly distributed over surfaces and has the highest adhesion (fixation) with metal. After applying paint, the structure is baked at a temperature of 200 degrees C. By combining these two processes, we create an ideal coating on parts of various sizes and shapes, which is resistant to moisture and scratches.

Next, the product goes through the assembly stage, where fittings and seals are attached, and glass is cut and mounted. At each stage, the product undergoes a quality check so that we are sure that you will receive the perfect "Metalix" product.



Typical Frame Colors

Classic



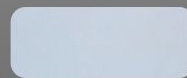
Premium Gold



Fosforus



Black Sparkling

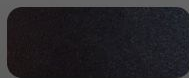


Ral 9003



Any Ral

Loft



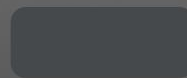
Ral 9005



Ral 7016



Ral 7040



Ral 7021



Any Ral

Industrial



Lacker



Rust



Metal



RAL 9005

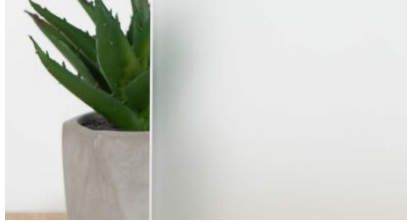


Any Ral

Common Glass Types



Clear



Frosted



Reeded



Reeded Frosted



Graphite Tinted



Bronze Tinted

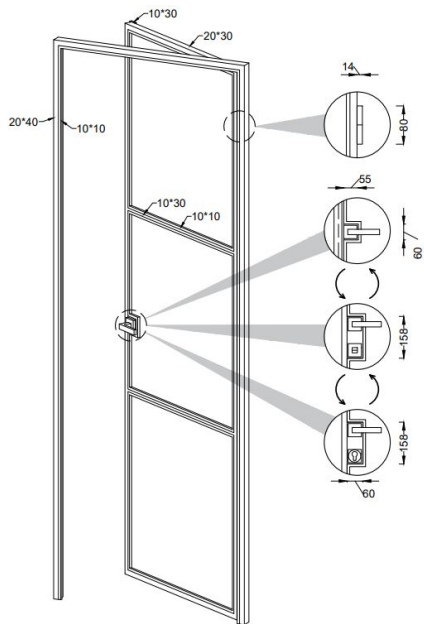


Antic Mirror



Crezet

Presented glass is the most popular with our clients. But you can choose **ANY glass type** based on your preferences.



Single Hinged

Width

600 mm - 1200 mm

Height

1800 mm - 3000 mm

Fittings

Steel hinges

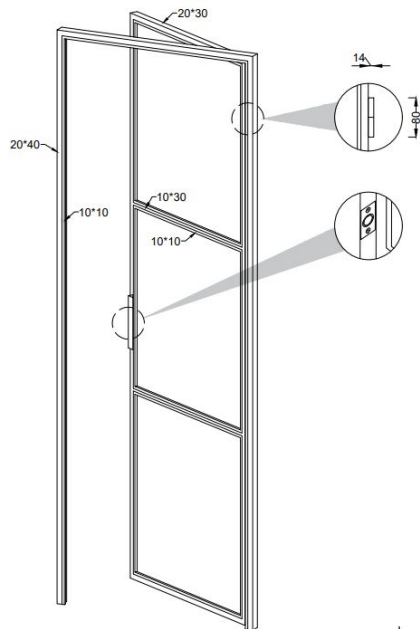
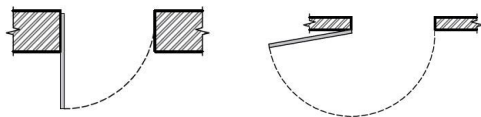
Damper

Optional

Handle

Classic lever

(TUPAI, Portugal, or any other)



Single Hinged

Width

600 mm - 1200 mm

Height

1800 mm - 3000 mm

Fittings

Steel hinges

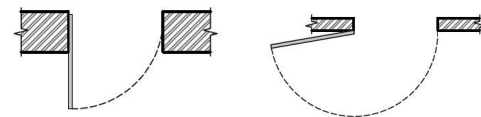
Ball door catch

Damper

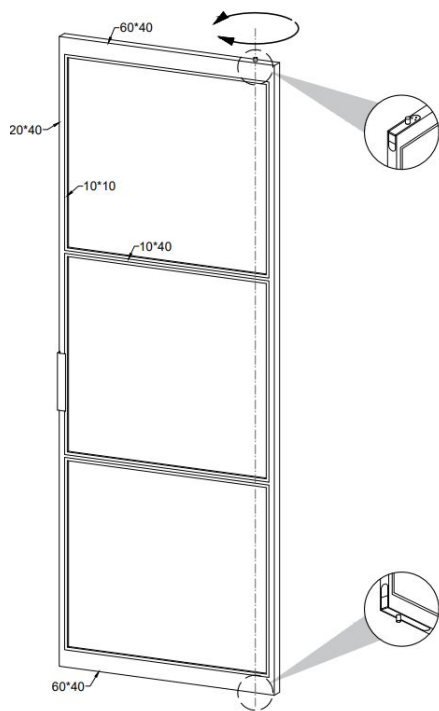
Optional

Handle

Custom steel



**** Additional options for over-panels and side screens are available.
It is possible to manufacture according to an individual sketch.***



Single Pivot

Width

600 mm - 1000 mm

Height

1800 mm - 3000 mm

Fittings

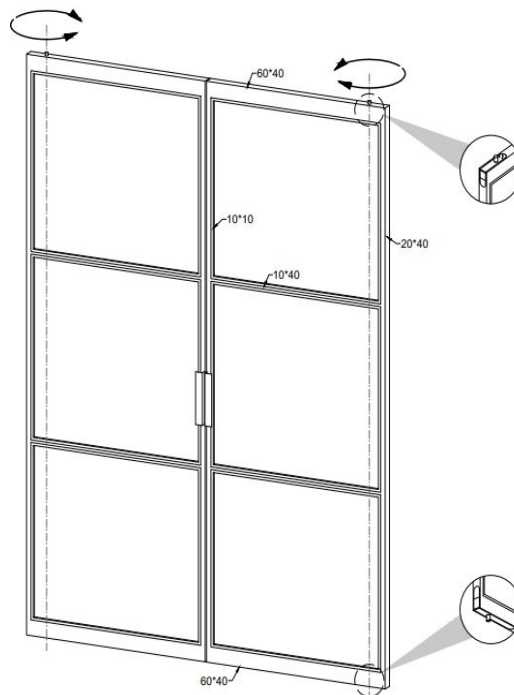
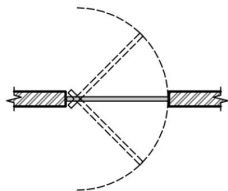
Hydraulic pivot *JNF, Portugal*

Damper

Yes

Handle

Custom steel
(or without)



Double Pivot

Width

1200 mm - 2000 mm

Height

1800 mm - 3000 mm

Fittings

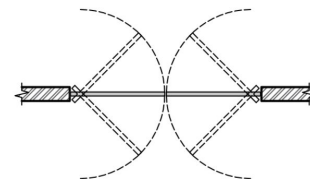
Hydraulic pivot *JNF, Portugal*

Damper

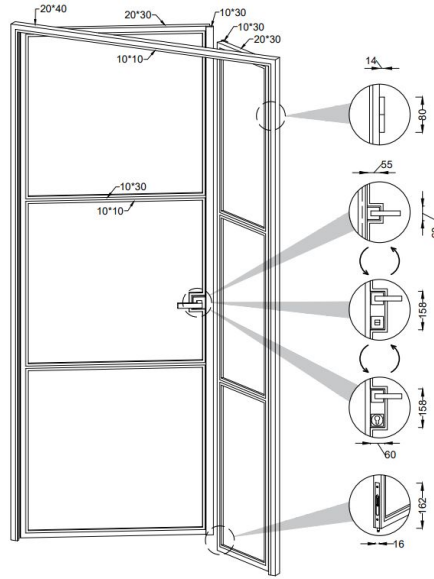
Yes

Handle

Custom steel
(or without)



*** Additional options for over-panels and side screens are available.
It is possible to manufacture according to an individual sketch.**



Double Hinged Asymmetric

Width

900 mm - 1800 mm

Height

1800 mm - 3000 mm

Fittings

Steel hinges

Damper

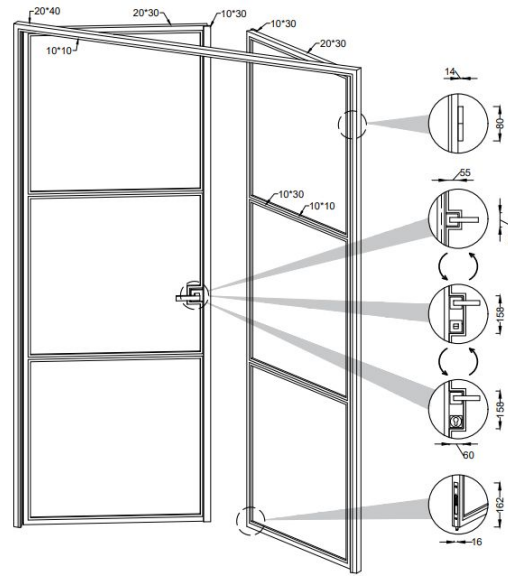
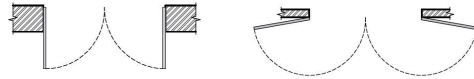
Optional

Handle

Classic lever

(TUPAI, Portugal, or any other)

One side can be fixed



Double Hinged

Width

600 mm - 2400 mm

Height

1800 mm - 3000 mm

Fittings

Steel hinges

Damper

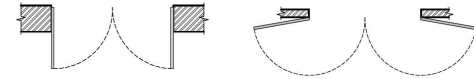
Optional

Handle

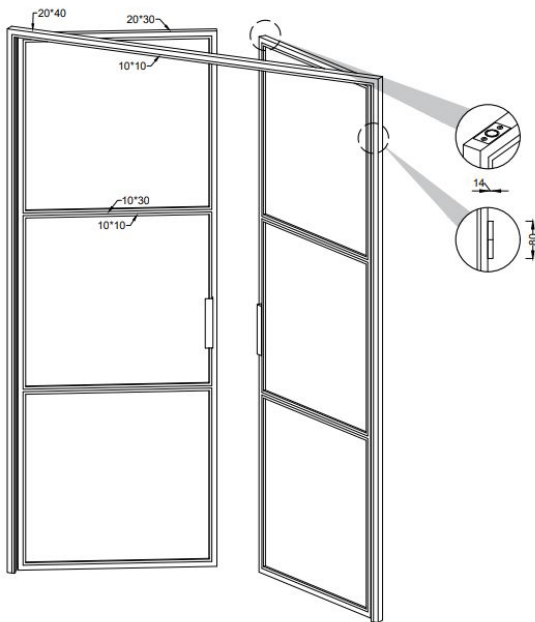
Classic lever

(TUPAI, Portugal, or any other)

One side can be fixed



*** Additional options for over-panels and side screens are available.
It is possible to manufacture according to an individual sketch.**



Double Hinged

Width

1200 mm - 2400 mm

Height

1800 mm - 3000 mm

Fittings

Steel hinges

Ball door catch

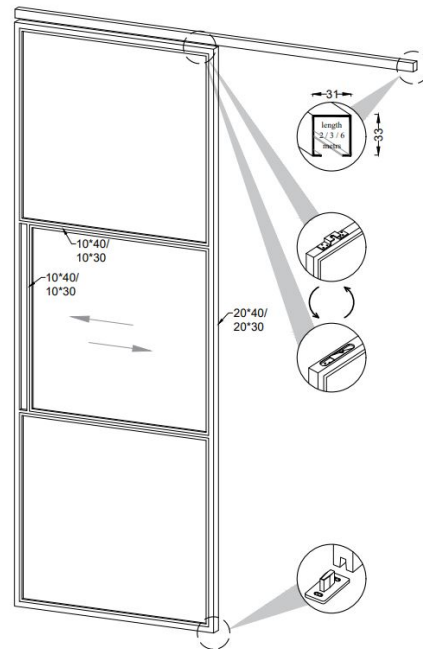
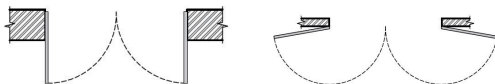
Damper

Optional

Handle

Custom steel

Two sides free to open



Single Sliding

Width

600 mm - 1500 mm

Height

1800 mm - 3000 mm

Fittings

Sliding system HAFELE,

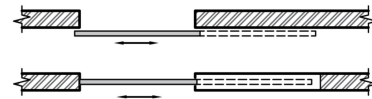
Germany

Damper

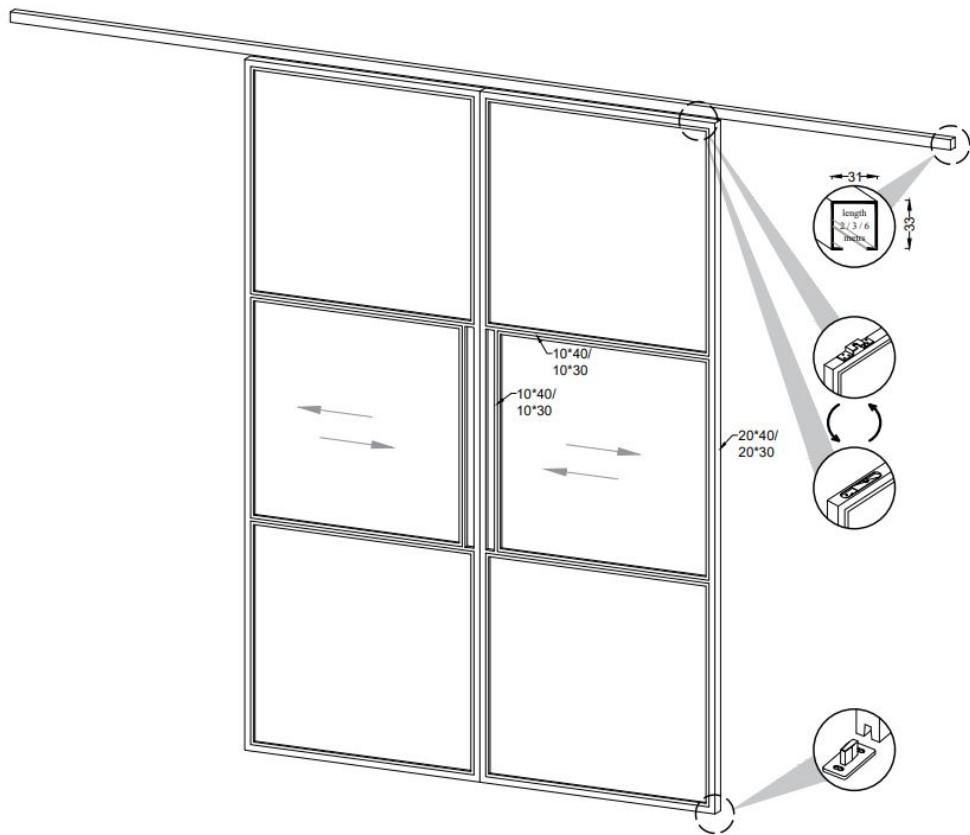
Yes

Handle

Custom steel



**** Additional options for over-panels and side screens are available.
It is possible to manufacture according to an individual sketch.***



Double Sliding

Width

1200 mm - 3000 mm

Height

1800 mm - 3000 mm

Fittings

Sliding system HAFELE,
Germany

Damper

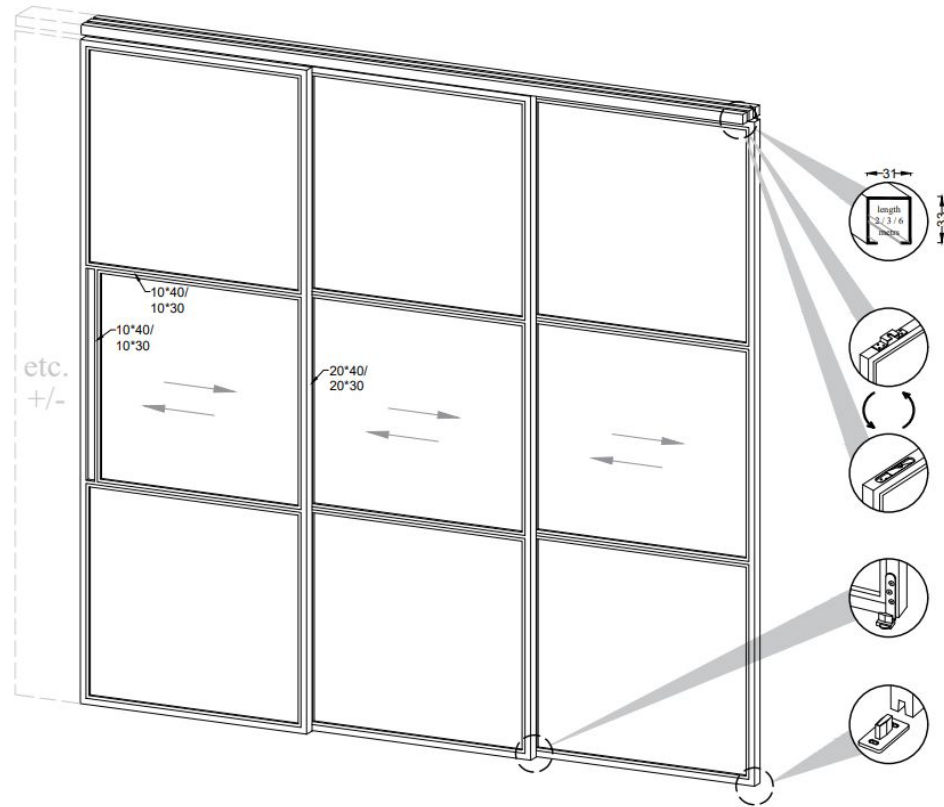
Yes

Handle

Custom steel



** Additional options for over-panels and side screens are available.
It is possible to manufacture according to an individual sketch.*



Cascade Sliding

Width

1200 mm - 6000 mm

Height

1800 mm - 3000 mm

Fittings

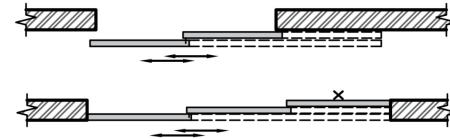
Sliding system HAFELE,
Germany

Damper

Yes

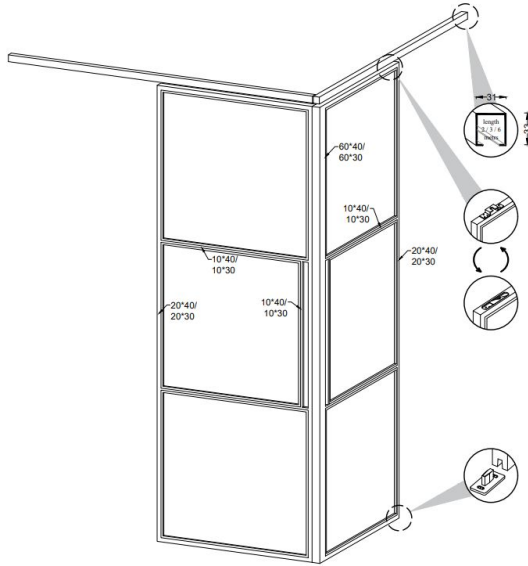
Handle

Custom Steel



**** Additional options for over-panels and side screens are available.
It is possible to manufacture according to an individual sketch.***

Corner Sliding



Width

600 mm - 1500 mm

Height

1800 mm - 3000 mm

Fittings

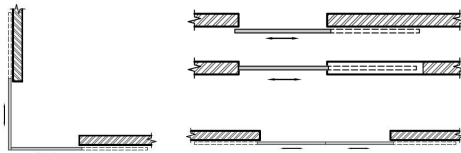
Sliding system HAFELE,
Germany

Damper

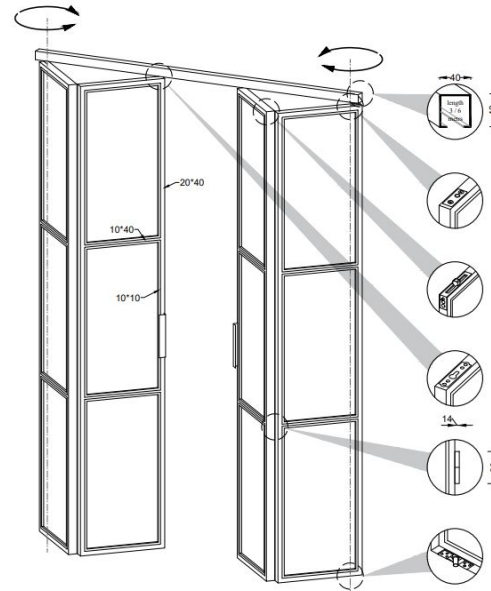
Yes

Handle

Custom steel



Folding



Width

700 mm - 2000 mm

Height

1800 mm - 3000 mm

Fittings

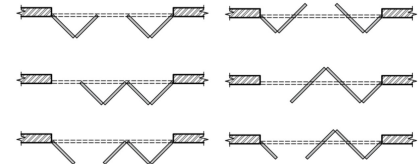
Folding system HAFELE,
Germany

Damper

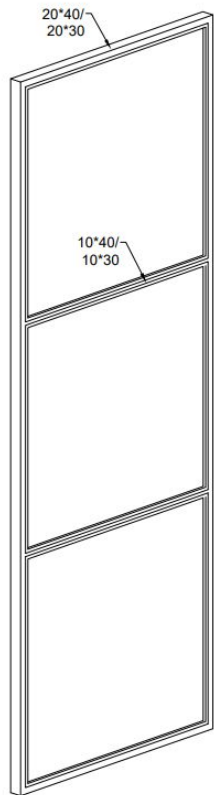
Yes

Handle

Custom steel



** Additional options for over-panels and side screens are available.
It is possible to manufacture according to an individual sketch.*



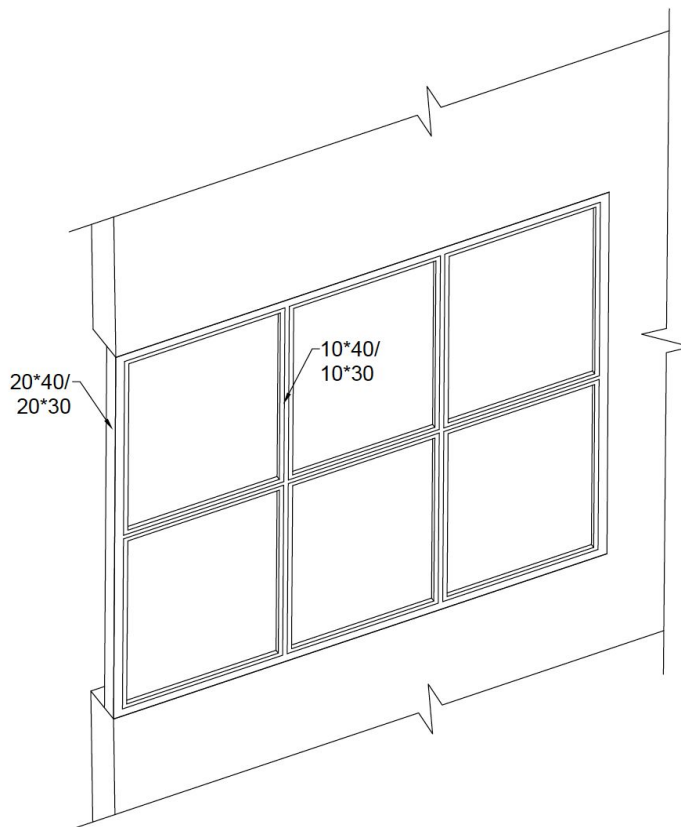
Fixed

Width

300 mm - ∞

Height

300 mm - ∞



Interior Window (fixed)

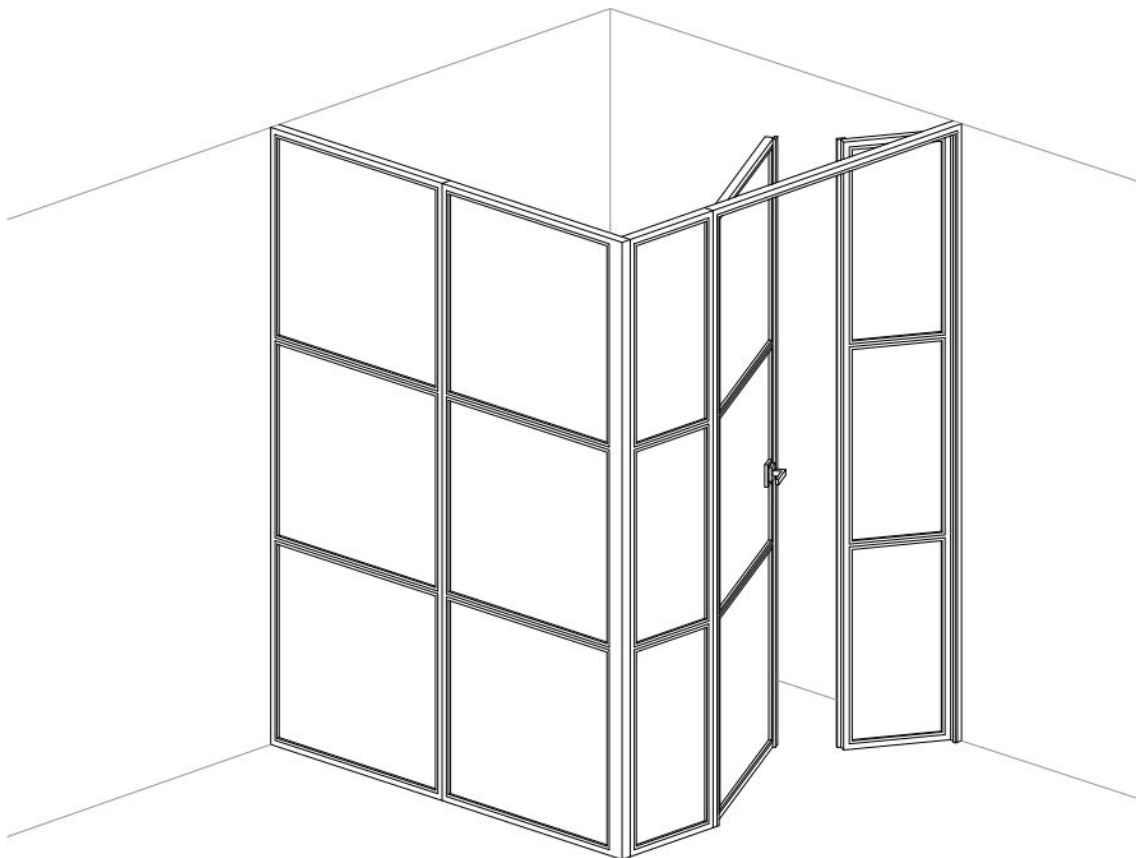
Width

300 mm - ∞

Height

300 mm - ∞

**** Additional options for over-panels and side screens are available.
It is possible to manufacture according to an individual sketch.***



Room Divider

Width

900 mm - ∞

Height

1800 mm - 3000 mm

Fittings

Depends on the door type

Damper

Optional

Handle

Depends on the door type

Combined with any type of door opening

**** Additional options for over-panels and side screens are available.
It is possible to manufacture according to an individual sketch.***

Cross-bar Types



MX-0



MX-1



MX-2



MX-3



MX-4



MX-5



MX-6



MX-7



MX-8



MX-9



MX-10



MX-11



MX-12



MX-13



MX-14



MX-15



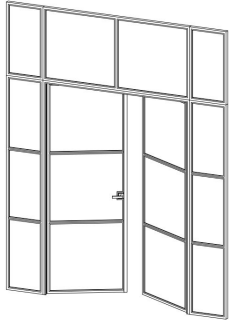
MX-16



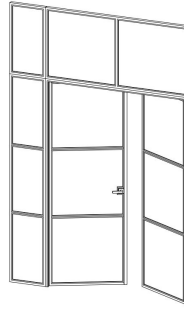
MX-17

The variety of door types and custom cross-bars are our product inherent advantages. Flexibility in the choice of door solutions allows you to solve the problem of zoning of any complexity, starting with the issue of limited space for opening and ending with the need for rapid transformation of large-scale premises.

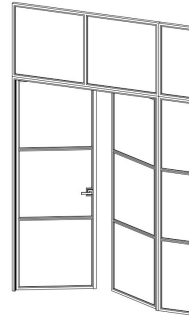
Side screens



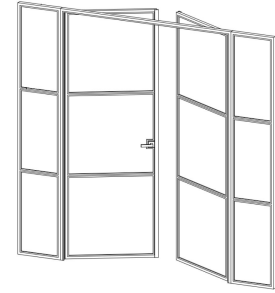
Over-panel + 2 Fixed Side Screens



Over-panel + Left Fixed Side Screen



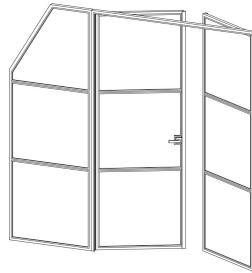
Over-panel + Right Fixed Side Screen



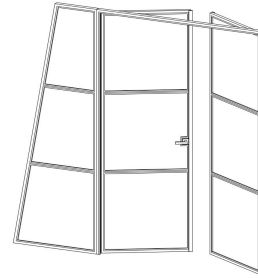
2 Fixed Side Screens



Over-panel



Fixed Trapeze Side Screen



Fixed Trapeze Side Screen



Fixed Triangle Side Screen

We Are Global

We value cooperation and the Win-Win principle. Honesty, openness, and professionalism are key for us in our relations with partners. The Metalix company is already present in the markets of Ukraine, Canada, Germany, Great Britain and Italy and is actively working on expanding the dealer network. Our product has a perfect price-quality ratio, which allows our partners to grow quickly and become more successful together with us.



• **Canada**

• **UK**

• **Germany**

• **Ukraine**

• **Italy**

Want to Be our Partner?

If you are:

- designer or architect and looking for a reliable contractor
- potential dealer and want to represent the Metalix brand in your region

Just leave your request at [Metalix Website](#) or mail us!



+38 098 520 1368



info@metalix.co

Want to see more?



metalix.space



metalix.spaces

