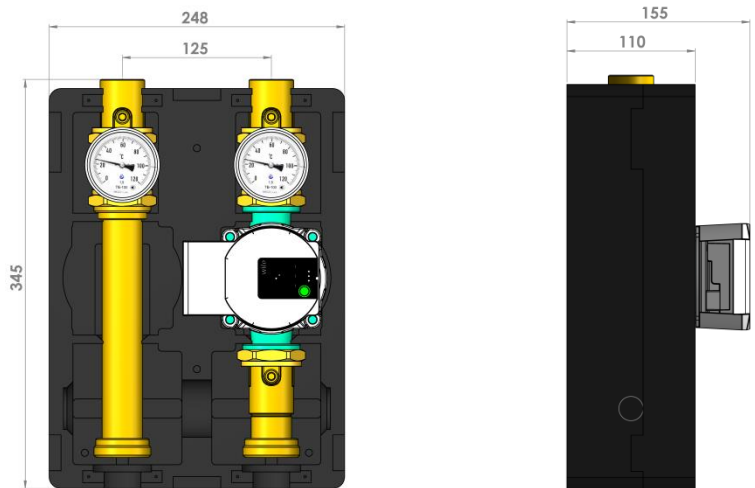


**Kv – 7.7**



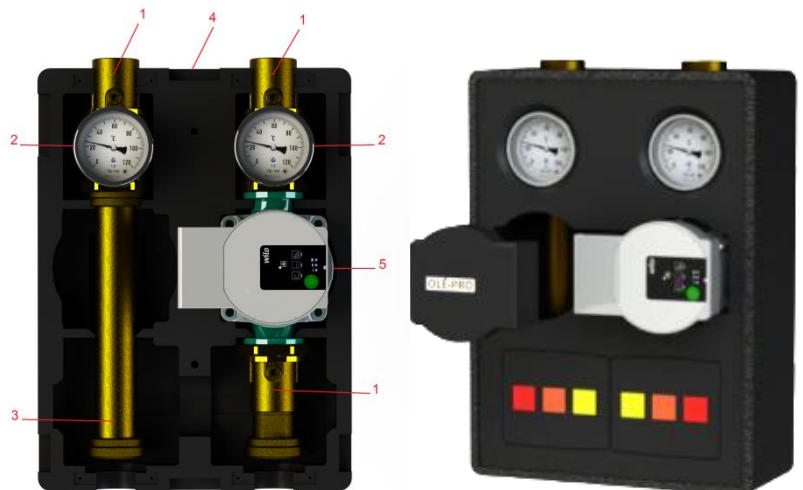
### Technical specifications:

1. Kv — 7,7
2. Max. temperature — 110°C
3. Max. pressure — 6 bar
4. Center distance — 125 mm
5. Pumps -130 mm
6. Connection to system — 1" F
7. Connection to manifold — 1 1/2" M



### Equipment:

8. Valve with a union nut x 3 pcs
9. Return line fitting with a built-in check valve
10. Thermometer D=63mm
11. Connection fitting for thermometer
12. Pump (according to the circuit article)
13. Insulation EPP 40g/l



Art	Pump	Price EURO
OTH-0-25-00-130	-	170.00
OTH-WP-25-06-130	WILO Yonos Para 25-6-130	327.00
OTH-WP-25-08-130	WILO Yonos Para 25-8-130	342.00

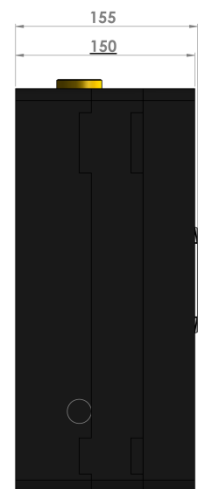
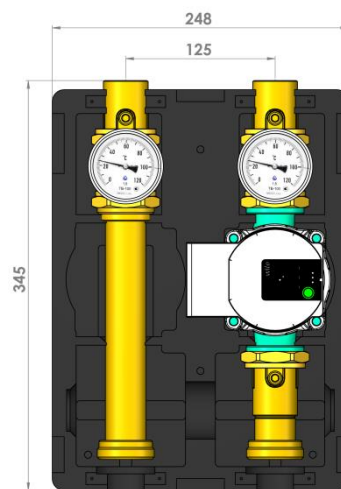
HEATING & COOLING

Kv – 7.7



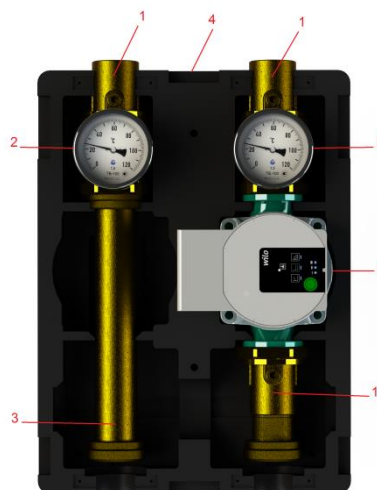
### Technical specifications:

1. Kv — 7,7
2. Max. temperature — 110°C
3. Max. pressure — 6 bar
4. Center distance — 125 mm
5. Pumps -130 mm
6. Connection to system — 1" F
7. Connection to manifold — 1 1/2" M



### Equipment:

1. Valve with a union nut x 3 pcs
2. Return line fitting with a built-in check valve
3. Thermometer D=63mm
4. Connection fitting for thermometer
5. Pump (according to the circuit article)
6. **Double** insulation EPP 40g/l



Art	Pump	Price EURO
OTH-WP-25-06-130-C	WILO Yonos Para 25-6-130	383.00
OTH-WP-25-08-130-C	WILO Yonos Para 25-8-130	397.00



**Kv – 3.5**

This set is a heating circuit with a mixer regulated by a thermostat.

Temperature is regulated through a thermostatic valve on a 3-way mixer.

Accuracy of temperature regulation: +/- 1 °C

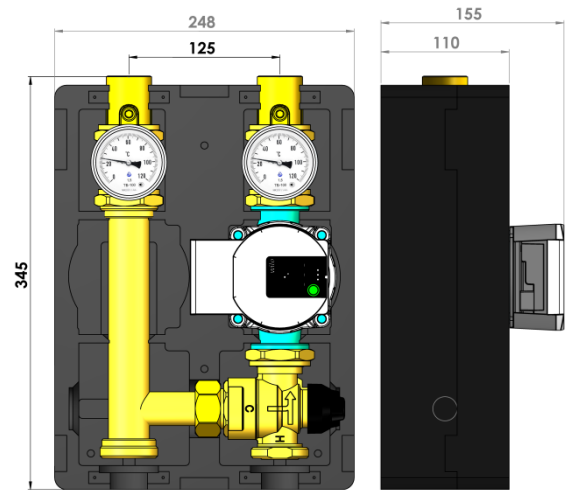
Time to reach the set temperature: up to 4 seconds.

### Technical specifications:

1. Kv — 7,7
2. Max. temperature — 110°C
3. Max. pressure — 6 bar
4. Center distance — 125 mm
5. Pumps -130 mm
6. Connection to system — 1" F
7. Connection to manifold — 1 1/2" M

### Equipment:

1. Valve with a union nut x 2 pcs
2. Return line fitting with a built-in check valve
3. Thermometer D=63mm
4. Connection fitting for thermometer
5. Pump (according to the circuit article)
6. Insulation EPP 40g/l
7. 3-way thermostatic mixing valve



Model F - mixing valve **20-45°C** for the floor heating.

Art	Pump	Price EURO
OTF-0-25-00-45-130	-	275.00
OTF-WP-25-06-45-130	WILO Yonos Para 25-6/130	432.00
OTF-WP-25-08-45-130	WILO Yonos Para 25-8/130	447.00



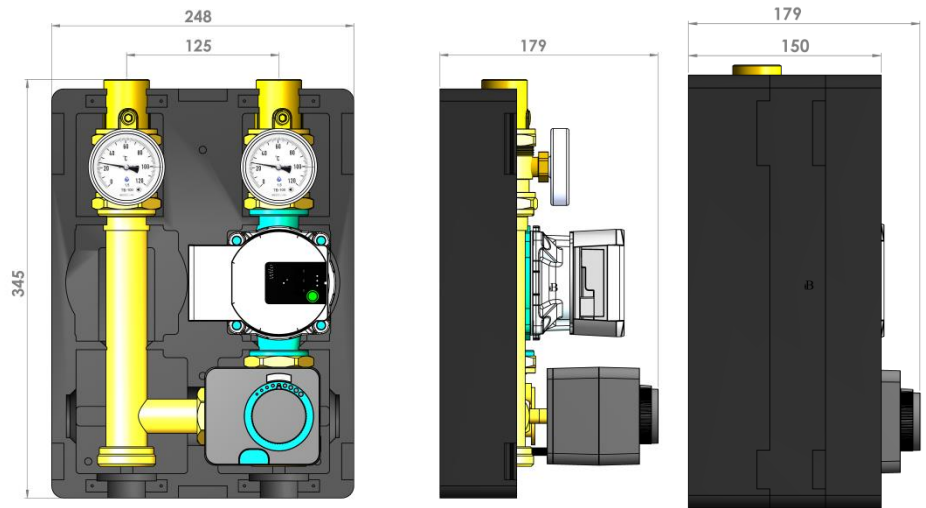
Model R - mixing valve **35-60°C** for the radiator heating.

Art	Pump	Price EURO
OTR-0-25-00-60-130	-	275.00
OTR-WP-25-06-60-130	WILO Yonos Para 25-6/130	432.00
OTR-WP-25-08-60-130	WILO Yonos Para 25-8/130	447.00



## Technical specifications:

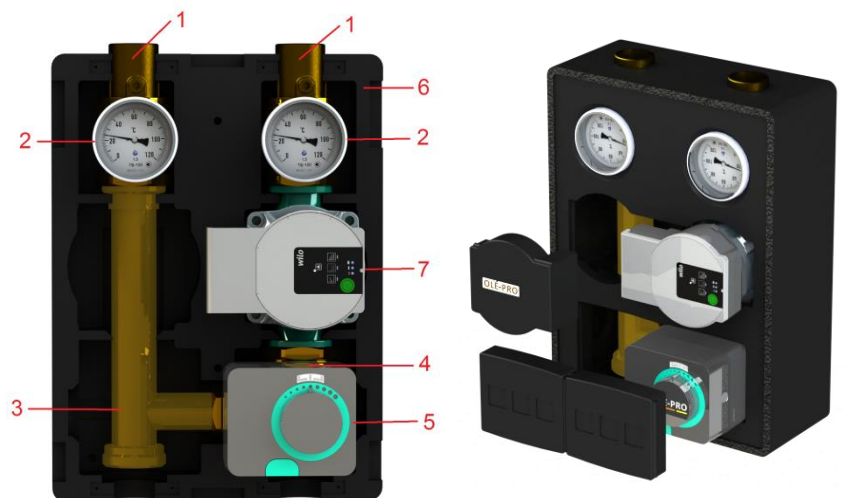
1. Kv — 5.9
2. Max. temperature — 110°C
3. Max. pressure — 6 bar
4. Center distance — 125 mm
5. Pumps -130 mm
6. Connection to system — 1" F
7. Connection to manifold — 1 1/2" M



model OTM-C

## Equipment:

1. Valve with a union nut x 2 pcs
2. Return line fitting with a built-in check valve
3. Thermometer D=63mm
4. Connection fitting for thermometer
5. Pump (according to the circuit article)
6. Insulation EPP 40g/l
7. 3-way mixing valve
8. Actuator (according to the circuit article)





Art	Pump	Actuator	Price EURO
OTM-0-25-00-00-130	-	-	223.00
OTM-WP-25-06-00-130	WILO Yonos Para 25-6/130	-	380.00
OTM-WP-25-08-00-130	WILO Yonos Para 25-8/130	-	395.00



### Mixing pump groups with actuator OST-05

3-point actuator 230V ST-05 included



Art	Pump	Actuator	Price EURO
OTM-0-25-00-05-130	-	OST-05	336.00
OTM-WP-25-06-05-130	WILO Yonos Para 25-6/130	OST-05	493.00
OTM-WP-25-08-05-130	WILO Yonos Para 25-8/130	OST-05	508.00



Double insulation set to the **heating/cooling** system – **52.00 EURO**



### Mixing pump groups with actuator OST-05-Y

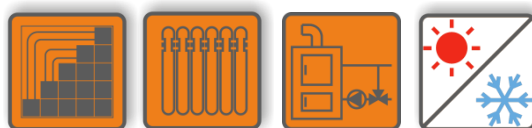
Actuator (proportional 0 – 10V or 4–20mA) ST-05-Y included



Art	Pump	Actuator	Price EURO
OTM-0-25-00-05Y-130	-	OST-05-Y	435.00
OTM-WP-25-06-05Y-130	WILO Yonos Para 25-6-130	OST-05-Y	592.00
OTM-WP-25-08-05Y-130	WILO Yonos Para 25-8-130	OST-05-Y	607.00



### Mixing pump groups with actuator OST-07



Actuator-controller ST-07 included

2 preset hydraulic schemes.

Heating/cooling

Directly integrated sensor

Adjustable temperature control

Simple user interface

The possibility to configure the mixing valve opening direction

Boiler return temperature or any other energy source temperature control

Heating or cooling system supply temperature control

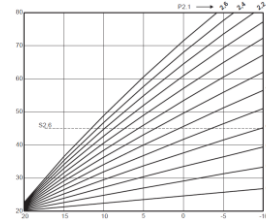
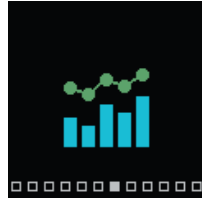


Art	Pump	Actuator	Price EURO
OTM-0-25-00-07-130	-	OST-07	499.00
OTM-WP-25-06-07-130	WILO Yonos Para 25-6/130	OST-07	656.00
OTM-WP-25-08-07-130	WILO Yonos Para 25-8/130	OST-07	671.00



Double insulation set to the **heating/cooling** system – **52.00 EURO**

## Mixing pump groups with actuator OST-07



Weather compensated controller ST-20 included

It is used to control the mixing valve and the circulation pump to regulate the supply temperature during heating or cooling, depending on the outdoor temperature

2 preset hydraulic schemes

Heating/cooling

Directly integrated sensor

Adjustable temperature control

Simple user interface

The possibility to configure the mixing valve opening direction

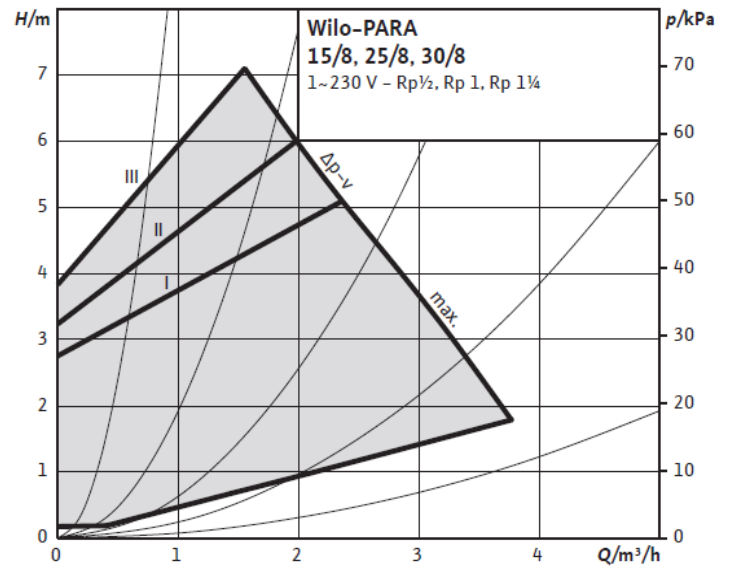
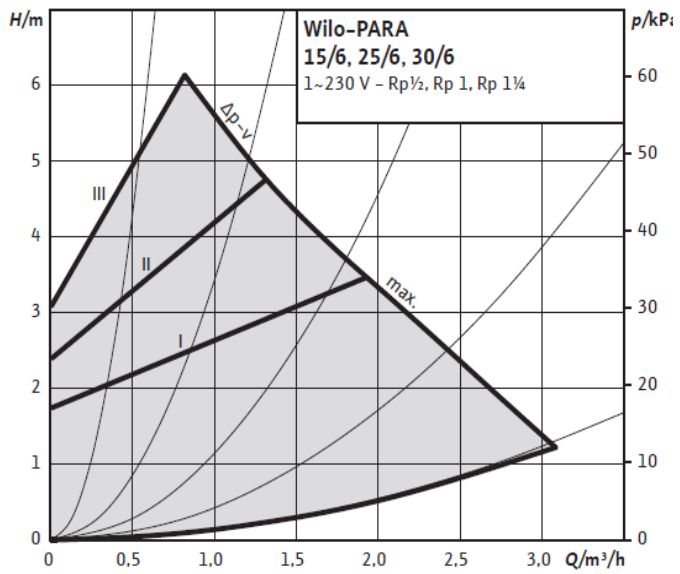
Boiler return temperature or any other energy source temperature control

Heating or cooling system supply temperature control

Art	Pump	Actuator	Price EURO
OTM-0-25-00-20-130	-	OST-20	833.00
OTM-WP-25-06-20-130	WILO Yonos Para 25-6/130	OST-20	990.00
OTM-WP-25-08-20-130	WILO Yonos Para 25-8/130	OST-20	1005.00



Double insulation set to the **heating/cooling** system – **52.00 EURO**







High flow - large KV

### Direct distribution groups

Pump groups with a direct flow (without a mixing valve) for heating systems.

**Kv – 19.7**

Dimensions: 248x447x249mm (with pump)

Center distance: 125 mm.

Pump L=180mm

Connection:

- installation side G 1 1/4 F

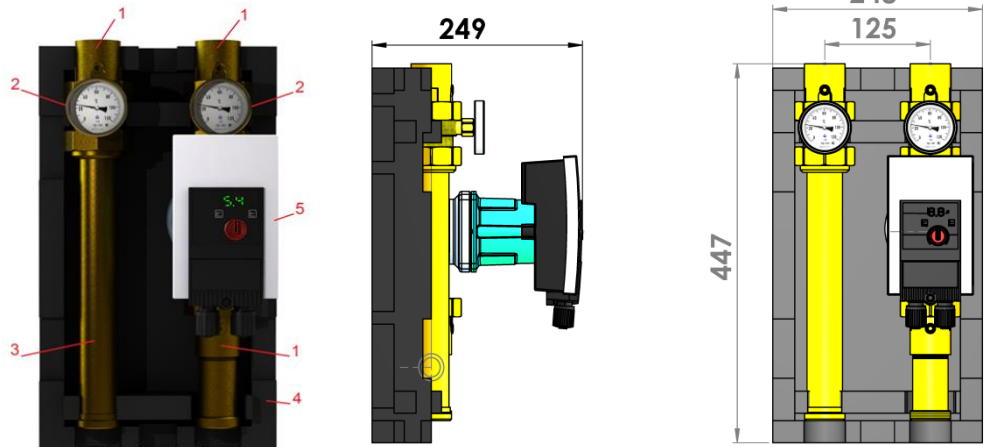
- boiler side G 1 1/2 M

Maximum work temperature – 110 °C

Allowable Operating Pressure – 6 bar



1. Ball valve x 3 pcs.
2. Thermometer x 2 pcs
3. Non return valve
4. EPP insulation box 50g/l
5. Pompa



Art	Pump	Price, Euro
OTH-WP-32-25/08P	WILO Yonos Para 25-8P/180	622.00
OTH-WH-32-30/07	WILO MAXO High Flow 30-7/180	976.00
OTH-WH-32-30/10	WILO MAXO High Flow 30-10/180	1 039.00
OTH-WH-32-30/12	WILO MAXO High Flow 30-12/180	1 219.00

(L) – pump on the left, (R) – pump on the right

### Mixing groups with 3-way mixing valve

**Kv – 12.1**

Dimensions: 248x447x249mm (with pump)

Center distance: 125 mm.

Pump L=180mm

Connection:

- installation side G 1 1/4 F

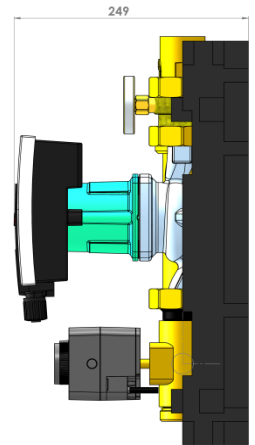
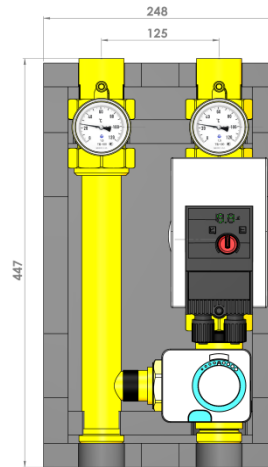
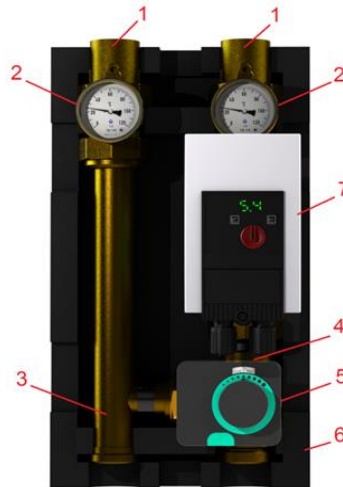
- boiler side G 1 1/2 M

Maximum work temperature – 110 °C

Allowable Operating Pressure – 6 bar

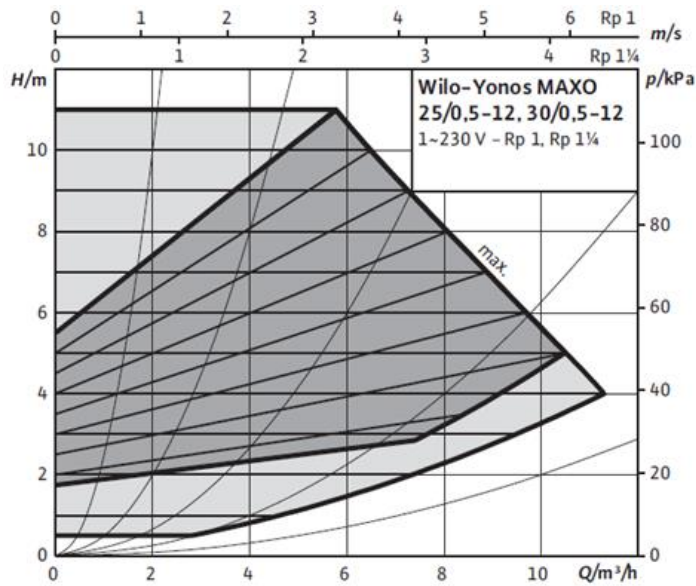
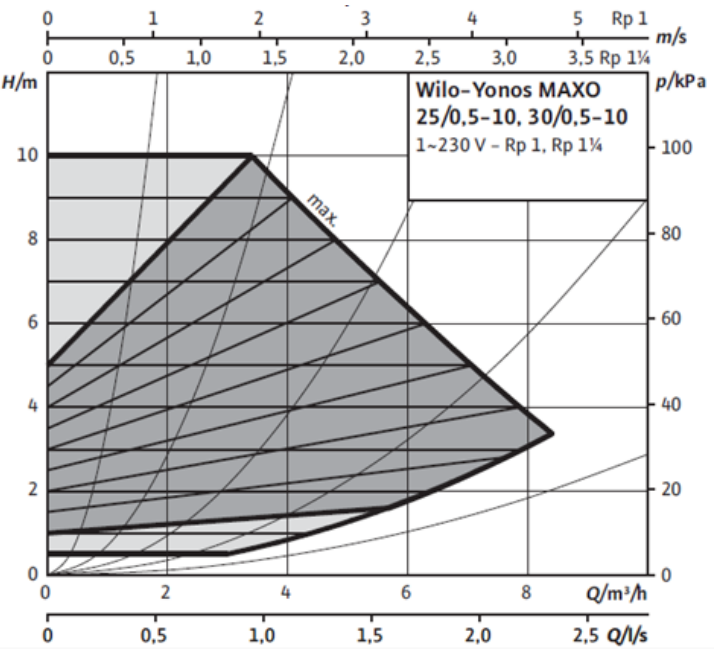
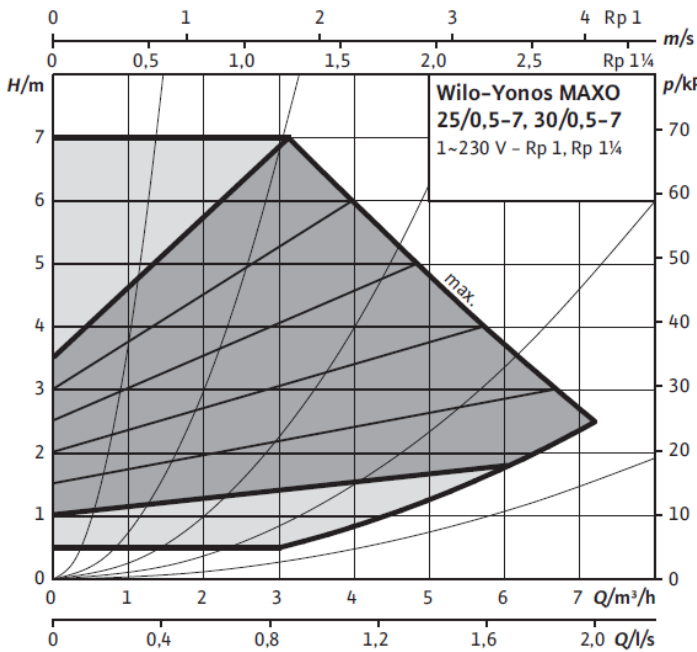
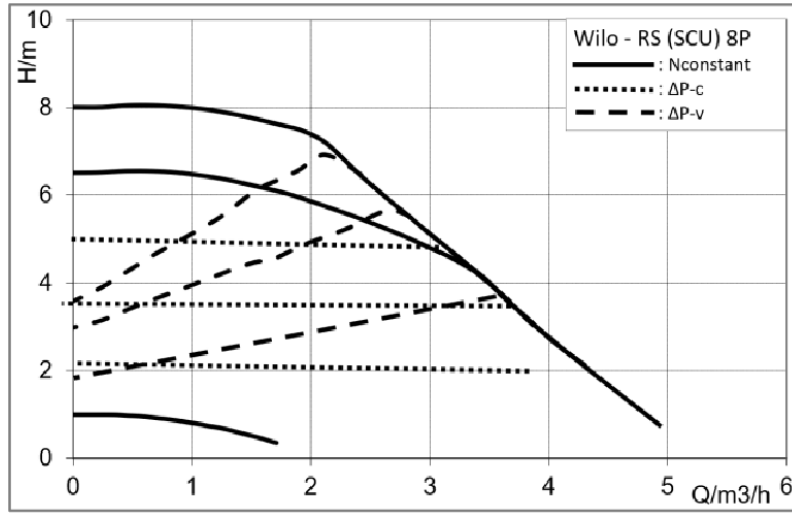


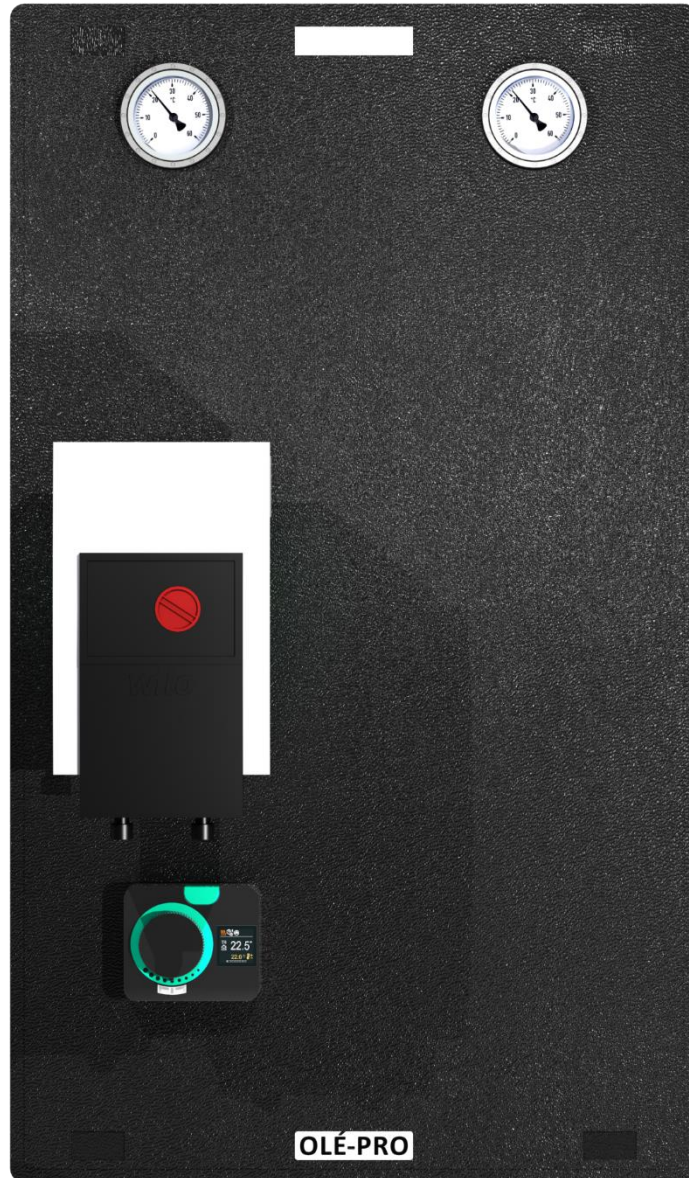
1. Ball valve x 2 pcs
2. Thermometer x 2 pcs
3. Non return valve
4. 3-way mixing valve
5. Actuator
6. EPP insulation box 50g/l
7. Pompa



Art	Pump	Price, Euro
OTM-WP-32-25/08P-05	WILO Yonos Para 25-8P/180	841.00
OTM-WH-32-30/07-05	WILO MAXO High Flow 30-7/180	1 196.00
OTM-WH-32-30/10-05	WILO MAXO High Flow 30-10/180	1 259.00
OTM-WH-32-30/12-05	WILO MAXO High Flow 30-12/180	1 440.00

(L) – pump on the left, (R) – pump on the right





Flanged pump groups

### Direct distribution groups

Pump groups with a direct flow (without a mixing valve) for heating systems.

**Dn 40 Kv – 25.2      Dn 50 Kv – 28.6**

Dimensions: 496x777x310-420mm (with pump)

Center distance: 250 mm.

Pump L=180-280mm

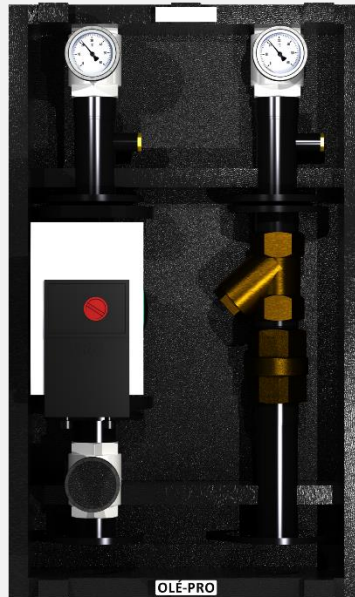
Connection:

- installation side 1 ½" – 2" F

- manifold side flanges Dn40-Dn50

Maximum work temperature – 110 °C

Allowable Operating Pressure – 6 bar



1. Ball valve x 3 pcs
2. Thermometer x 2 pcs
3. Non return valve
4. Filter
5. EPP insulation box 50g/l
6. Pompa (according to the model)

Art	Pump	Price, Euro
OTH-0-40-00	-	670.00
OTH-WH-40-30/7	WILO MAXO High Flow 30-7	1 339.00
OTH-WH-40-30/10	WILO MAXO High Flow 30-10	1 402.00
OTH-WH-40-30/12	WILO MAXO High Flow 30-12	1 583.00
OTH-WH-40-40/8	WILO MAXO High Flow 40-8	1 551.00
OTH-WH-40-40/12	WILO MAXO High Flow 40-12	1 973.00
OTH-0-50-00	-	827.00
OTH-WH-50-30/7	WILO MAXO High Flow 30-7	1 494.00
OTH-WH-50-30/10	WILO MAXO High Flow 30-10	1 557.00
OTH-WH-50-30/12	WILO MAXO High Flow 30-12	1 738.00
OTH-WH-50-40/8	WILO MAXO High Flow 40-8	1 707.00
OTH-WH-50-40/12	WILO MAXO High Flow 40-12	2 129.00
OTH-WH-50-50/12	WILO MAXO High Flow 50-12	2 347.00

### Mixing groups with 3-way mixing valve and actuator OST-05

**Dn 40 Kv – 21.3**

**Dn 50 Kv – 27.8**

Dimensions: 496x777x310-420mm (with pump)

Center distance: 250 mm.

Pump L=180-280mm

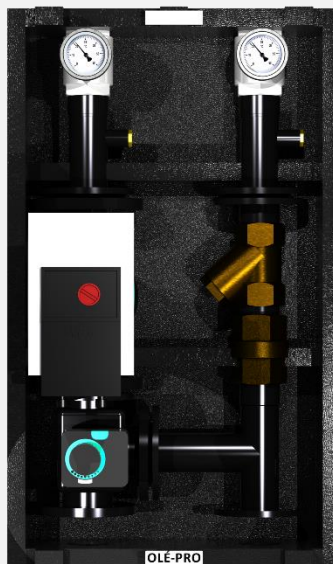
Connection:

- installation side 1 ½" – 2" F

- manifold side flanges Dn40-Dn50

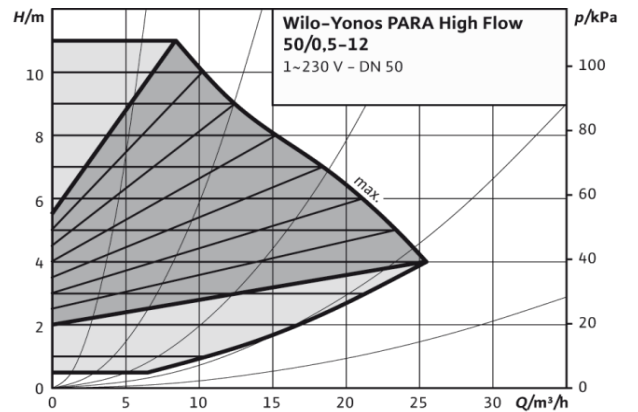
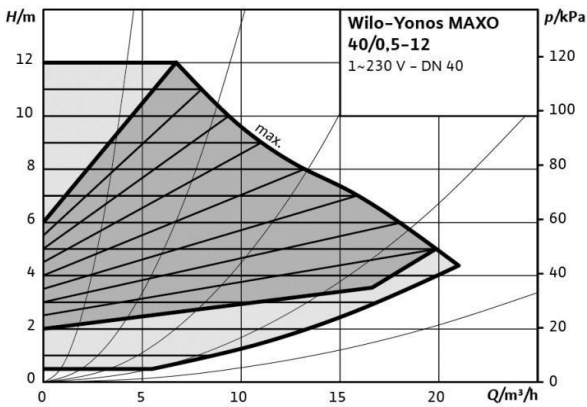
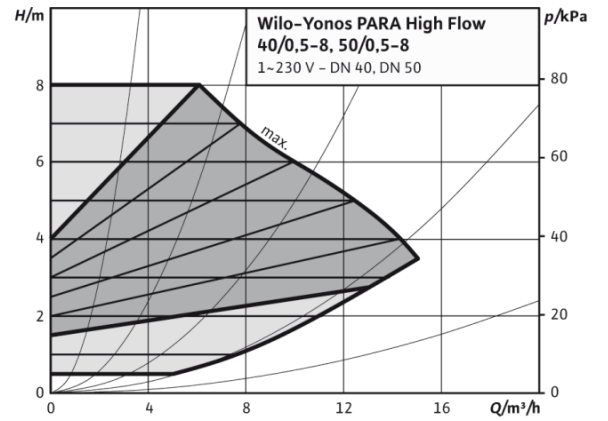
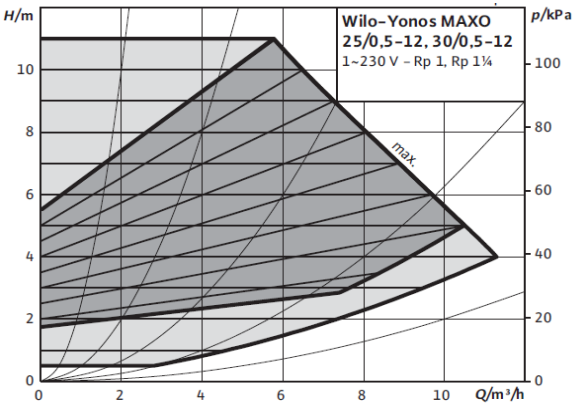
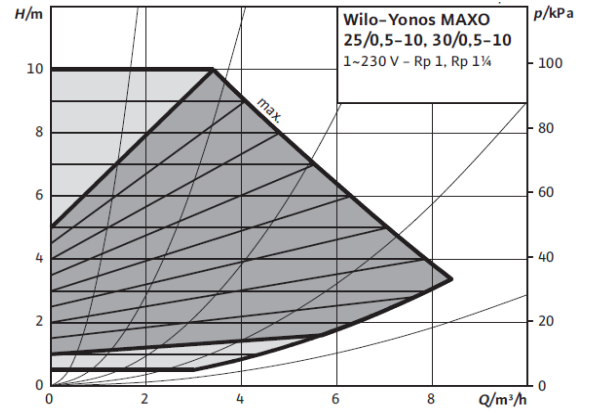
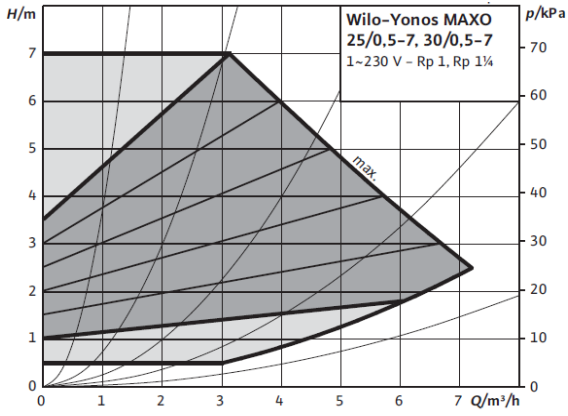
Maximum work temperature – 110 °C

Allowable Operating Pressure – 6 bar



1. Ball valve x 2 pcs
2. Thermometer x 2 pcs
3. Non return valve
4. Filter
5. 3-way mixing valve
6. Actuator OST-05
7. EPP insulation box 50g/l
8. Pompa (according to the model)

Art	Pump	Price, Euro
OTM-0-40-00-05	-	856.00
OTM-WH-40-30/7 – 05	WILO MAXO High Flow 30-7	1 525.00
OTM-WH-40-30/10 – 05	WILO MAXO High Flow 30-10	1 588.00
OTM-WH-40-30/12 – 05	WILO MAXO High Flow 30-12	1 769.00
OTM-WH-40-40/08 – 05	WILO MAXO High Flow 40-8	1 738.00
OTM-WH-40-40/12 – 05	WILO MAXO High Flow 40-12	2 160.00
OTM-0-50-00-05	-	1 271.00
OTM-WH-50-30/7 – 05	WILO MAXO High Flow 30-7	1 940.00
OTM-WH-50-30/10 – 05	WILO MAXO High Flow 30-10	2 003.00
OTM-WH-50-30/12 – 05	WILO MAXO High Flow 30-12	2 184.00
OTM-WH-50-40/08 – 05	WILO MAXO High Flow 40-8	2 153.00
OTM-WH-50-40/12 – 05	WILO MAXO High Flow 40-12	2 575.00
OTM-WH-50-50/12 – 05	WILO MAXO High Flow 50-12	2 792.00







Center distance for different models of boilers

Center distance: 125 - 350 mm.

Pump L=180mm

Connection:

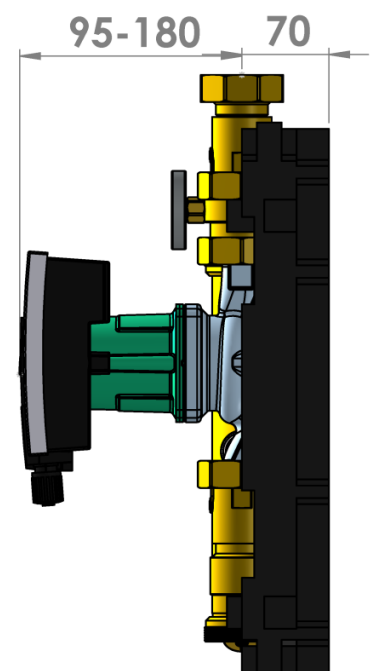
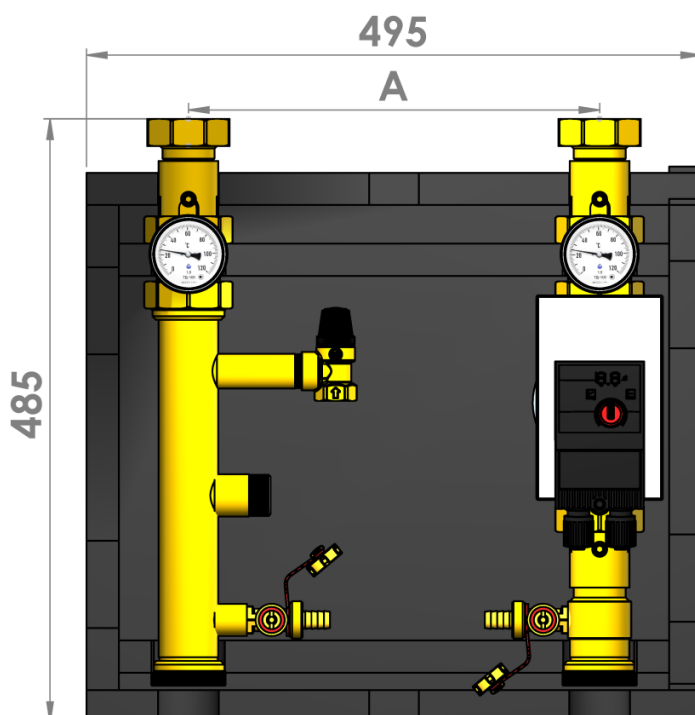
- installation side G 1 1/2 M – 2M

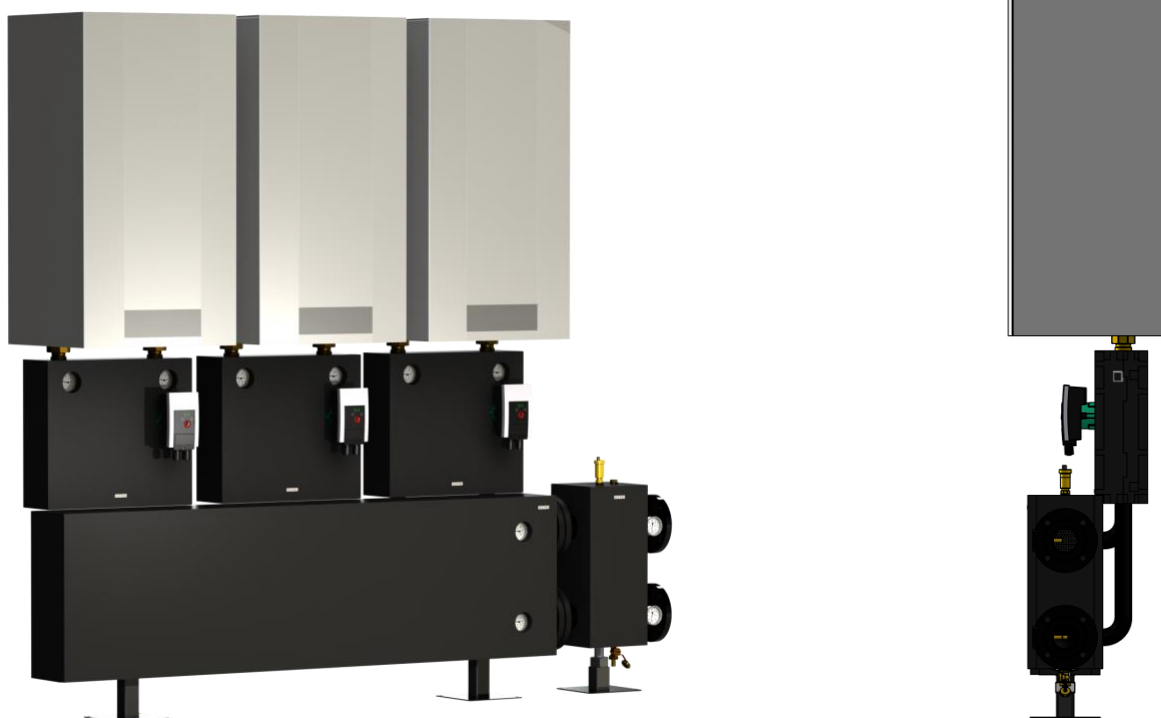
- boiler side G 1 1/2 F – 2F

Maximum work temperature – 110 °C

Allowable Operating Pressure – 6 bar

- Ball valve x 3 pcs.
- Thermometer x 2 pcs
- Non return valve
- Drain valve 1/2"
- Safety valve 2,5 bar
- EPP insulation box 50g/l
- Pompa





Art.	Connection for boilers / Connection for system	Max. power boiler, kW $\Delta T=20^{\circ}\text{C}$	Pump	Price Euro
OTB-WH-32-30/07-180	1 ½" F / 1 ¼" M	80	WILO MAXO High Flow 30-7/180	<b>996.00</b>
OTB-WH-32-30/10-180	1 ½" F / 1 ¼" M	100	WILO MAXO High Flow 30-10/180	<b>1 059.00</b>
OTB-WH-32-30/12-180	1 ½" F / 1 ¼" M	110	WILO MAXO High Flow 30-12/180	<b>1 239.00</b>
OTB-WH-40-30/07-180	2" F / 2" M	95	WILO MAXO High Flow 30-7/180	<b>1 016.00</b>
OTB-WH-40-30/10-180	2" F / 2" M	115	WILO MAXO High Flow 30-10/180	<b>1 079.00</b>
OTB-WH-40-30/12-180	2" F / 2" M	130	WILO MAXO High Flow 30-12/180	<b>1 259.00</b>

The set for connecting the pump group to the manifold.

Art		Price Euro
OTB-32-K	For pump groups OTB-WP-32	<b>85.00</b>
OTB-40-K	For pump groups OTB-WP-40	<b>112.00</b>