

Max working temperature: 100 °C

Max working pressure: 6 bar

Material: steel 3mm

Connection center distance: 125 mm

Insulation – EPP 50g/l

$\Delta T$	OGC-P-2	OGC-P-3	OGC-P-5	OGC-P-6	OGC-P-9	OGC-P-13
	kW					
5	14	17	27	34	51	73
10	29	34	55	67	101	147
15	44	51	83	101	152	220
20	58	67	110	135	202	293

Max. flow – 2.5 m3/h

Connection G 1" M x G 1" M

Complete set:

- Automatic air vent valve
- Drain valves



**OGC-P-2-GZ-i**

**Price, Euro: 127.00**

Max. flow – 2.5 m3/h

Connection G 1" F x G 1" F (ball valve)

Complete set:

- Automatic air vent valve
- Drain valves
- Flanged ball valves x 4 pcs



**OGC-P-2-B-i**

**Price, Euro: 189.00**

Max. flow – 2.5 m3/h

Connection G 1" M x G 1 1/2" F



**OGC-P-2-H-NO-i**

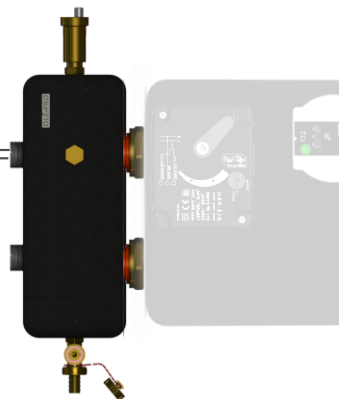
**Price, Euro: 107.00**

Max. flow – 2.5 m3/h

Connection G 1" M x G 1 1/2" F

Complete set:

- Automatic air vent valve
- Drain valves



**OGC-P-2-NO-i**

**Price, Euro: 138.00**

Max. flow – 2.9 m3/h

Connection G 1" M x G 1" M

Complete set:

- Automatic air vent valve
- Drain valves



**OGC-P-3-GZ-i**

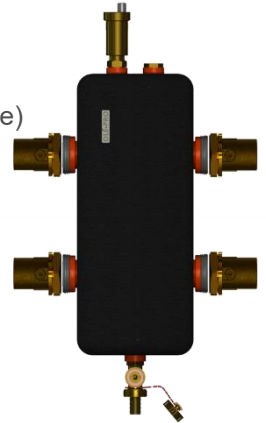
**Price, Euro: 132.00**

Max. flow – 2.9 m3/h

Connection G 1" F x G 1" F (ball valve)

Complete set:

- Automatic air vent valve
- Drain valves
- Flanged ball valves x 4 pcs



**OGC-P-3-B-i**

**Price, Euro: 149.00**

Max. flow – 4.8 m3/h

Connection G 1 1/4" M x G 1 1/4" M

Complete set:

- Automatic air vent valve
- Drain valves



**OGC-P-5-GZ-i**

**Price, Euro: 175.00**

Max. flow – 5.8 m3/h

Connection G 1 1/2" M x G 1 1/2" M

Complete set:

- Automatic air vent valve
- Drain valves



**OGC-P-6-GZ-i**

**Price, Euro: 181.00**

Max. flow – 8.7 m3/h

Connection G 2" M x G 2" M

Complete set:

- Automatic air vent valve
- Drain valves



**OGC-P-9-GZ-i**

**Price, Euro: 205.00**

Max. flow – 12.8 m3/h

Connection G 2" M x G 2" M

Complete set:

- Automatic air vent valve
- Drain valves



**OGC-P-13-GZ-i**

**Price, Euro: 325.00**

Up to 526 kW

Max working temperature: 110 °C

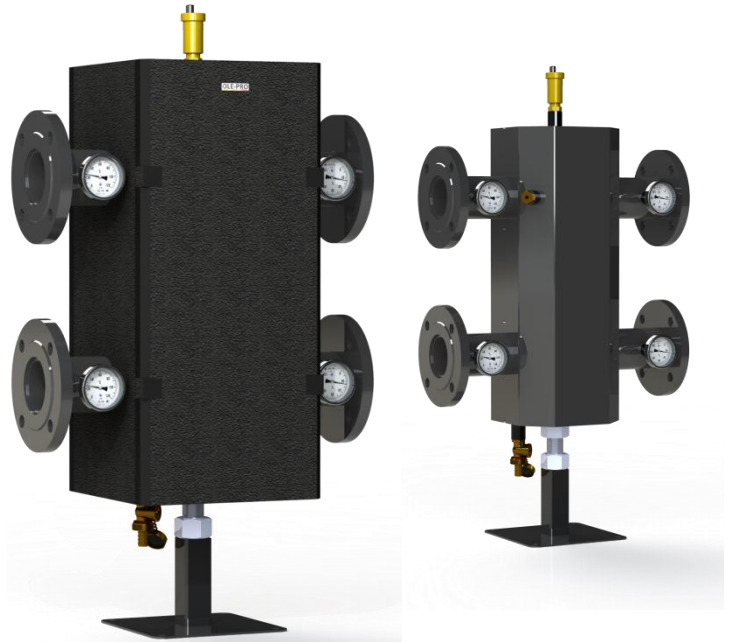
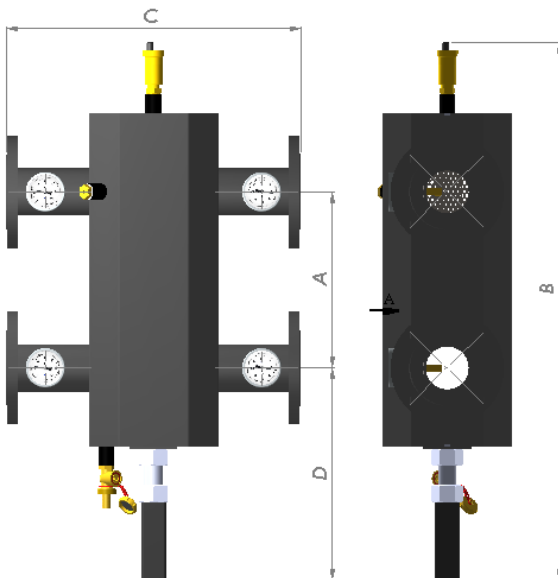
Max working pressure: 6 bar

Material: steel 3mm

Insulation – EPP 50g/l

Complete set:

- Automatic air vent valve
- Drain valves
- Thermometr x 4 pcs
- Support with regulating



	OGC-Φ-13	OGC-Φ-17	OGC-Φ-23
	Max. flow m3/h		
	12,9	17,8	23,5
<b>ΔT</b>	<b>kW</b>		
<b>5</b>	73	102	131
<b>10</b>	147	205	263
<b>15</b>	220	307	395
<b>20</b>	<b>293</b>	<b>409</b>	<b>526</b>

Art.	kW, ΔT=20°C	Connection	A, mm	B, mm	C, mm	D, mm	Price Euro
<b>OGC-F-13-i</b>	293	Dn 50 Pn10	250	745-795	390	280-330	<b>435.00</b>
<b>OGC-F-17-i</b>	409	Dn 65 Pn10	280	745-795	430	250-300	<b>481.00</b>
<b>OGC-F-23-i</b>	526	Dn 65 Pn10	280	825-875	470	310-360	<b>637.00</b>

Max working temperature: 110 °C

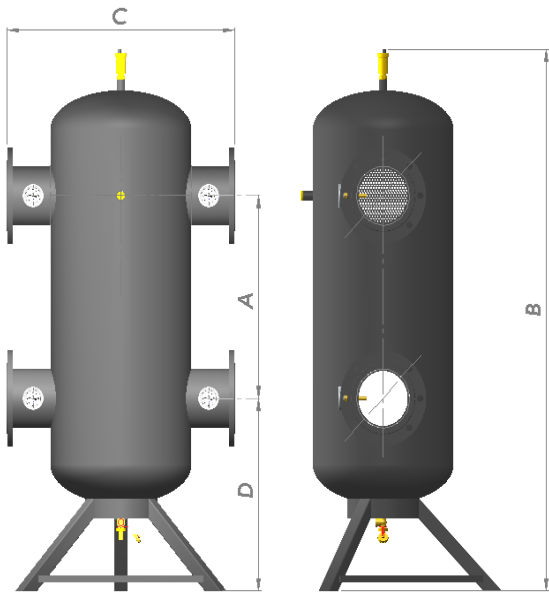
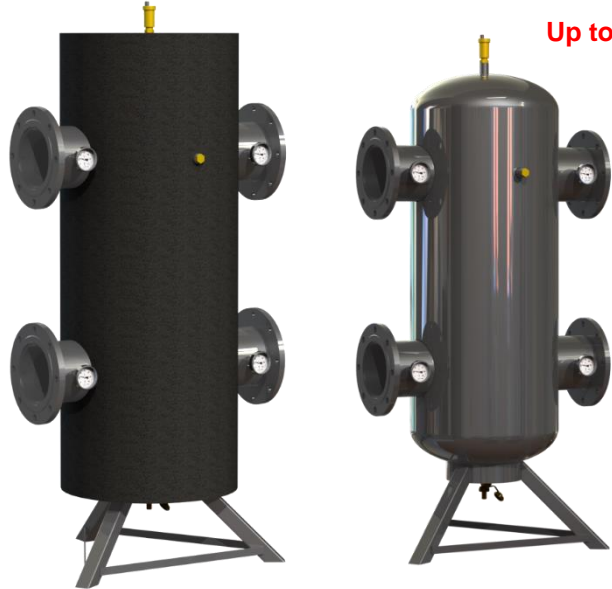
Max working pressure: 6 bar

Material: steel 3mm

Insulation – EPP 50g/l

Complete set:

- Automatic air vent valve
- Drain valves
- Thermometr x 4 pcs
- Support



	OGC-F-35	OGC-F-50	OGC-F-70	OGC-F-90	OGC-F-120
	Max.flow m3/h				
	35	50,5	70	91	118
$\Delta T$	kW				
5	169	297	404	527	702
10	339	593	807	1054	1405
15	507	890	1210	1580	2106
20	<b>676</b>	<b>1186</b>	<b>1614</b>	<b>2107</b>	<b>2800</b>

Art.	kW, $\Delta T=20^{\circ}C$	Connection	A, mm	B, mm	C, mm	D, mm	Price Euro
<b>OGC-F-35-i</b>	676	Dn 80 Pn10	320	1010	560	400	<b>885.00</b>
<b>OGC-F-50-i</b>	1 186	Dn 100 Pn10	390	1150	605	440	<b>1 147.00</b>
<b>OGC-F-70-i</b>	1 614	Dn 125 Pn10	470	1350	650	490	<b>1 356.00</b>
<b>OGC-F-90-i</b>	2 107	Dn 150 Pn10	550	1500	700	525	<b>1 668.00</b>
<b>OGC-F-120-i</b>	2 800	Dn 200 Pn10	850	1800	850	440	<b>2 609.00</b>

Up to 7 700 kW

Max working temperature: 110 °C

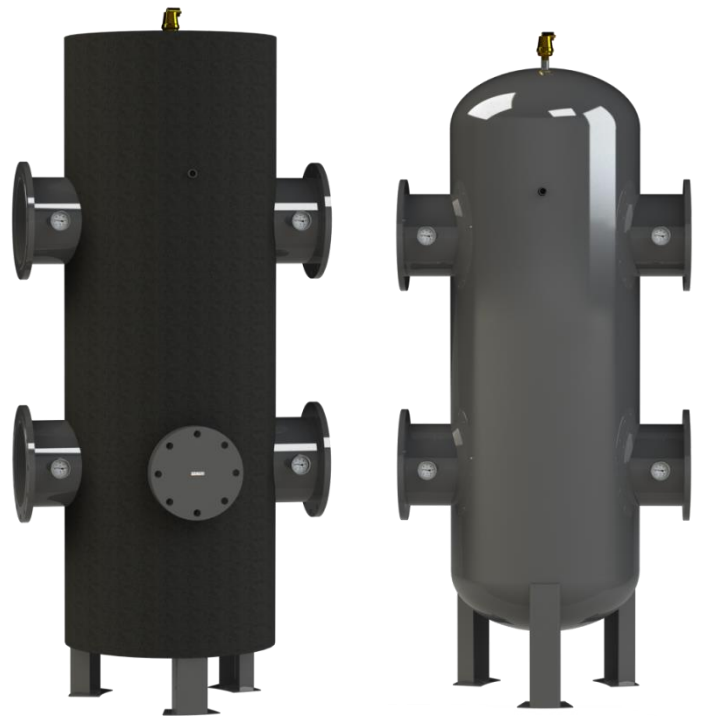
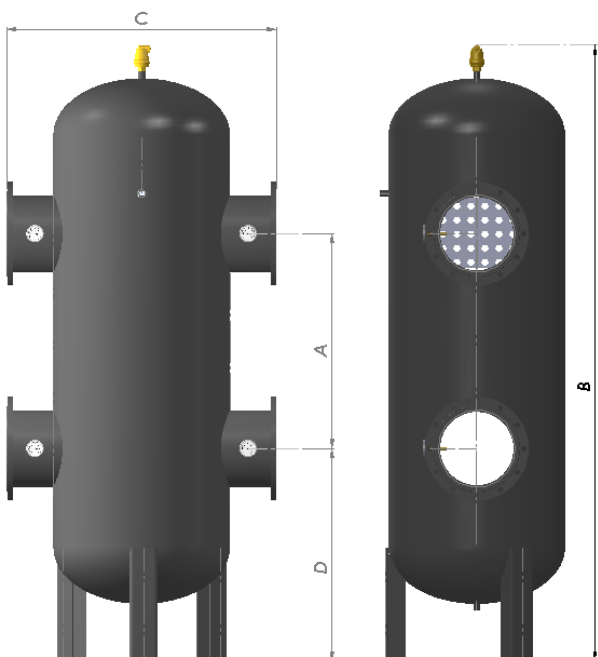
Max working pressure: 6 bar

Material: steel

Insulation – EPP 50g/l

Complete set:

- Automatic air vent valve **SPIROTOP**
- Drain valves
- Thermometr x 4 pcs



	OGC-F-200	OGC-F-250	OGC-F-300
	Max.flow m3/h		
	160	240	330
$\Delta T$	Потужність, кВт		
5	900	1 400	2 050
10	1 850	2 800	4 100
15	2 700	4 200	6 100
20	3 700	5 600	7 700

Art.	kW, $\Delta T=20^{\circ}\text{C}$	Connection	A, mm	B, mm	C, mm	D, mm	Price Euro
<b>OGC-F-200-i</b>	3 700	Dn 200 Pn10	800	2 050	1 000	650	<b>4 642.00</b>
<b>OGC-F-250-i</b>	5 600	Dn 250 Pn10	1 000	2 380	1 100	730	<b>5 445.00</b>
<b>OGC-F-300-i</b>	7 700	Dn 300 Pn10	1 200	2750	1 200	850	<b>6 231.00</b>
<b>OGC-FP-150</b>	Inspection flange Dn 150 with blind flange						<b>144.00</b>