



XT3207K

TELEHANDLERS

Comply with ANSI/CSA



XT3207K

TELEHANDLERS

Specifications

ITEM	XT3207K
------	---------

Measurements

Overall length (without fork)	5100mm
Overall width	2380mm
Overall height	2580mm
Fork length	1000mm
Fork width	120mm
Fork height	45mm
Boom length	/
Wheelbase	2850mm
Ground clearance	330mm
Turning radius(inside/outside)	3862mm/3900mm

Productivity

Max. lift capacity	3200kg
Max. lifting height	7m
Max. outreach	3.9m
Max. travel speed	32km/h
Max. height lifting capacity	2500kg
Max. amplitude lifting capacity	1350kg
Unladen lifting/lowering speed	8s/7s
Unladen Extension/retraction speed	7s/7s
Gradeability(overload)	35%

Technical Data

Tilting angle of fork(tip up/tip down)	-14°/136°
Hydraulic system pressure	280bar
Hydraulic oil tank volume	150L
Fuel tank volume	135L
Hollow tire	400/70-R24

Power source

Make/model	Deutz/BF4M2012
Rated power	72kW/2200 rpm
Max torque	375N·m/1600 rpm

Transmission

Make/model	/
No. of gear	/

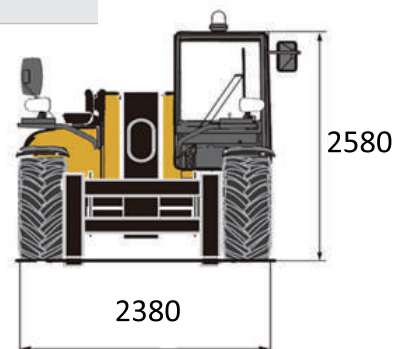
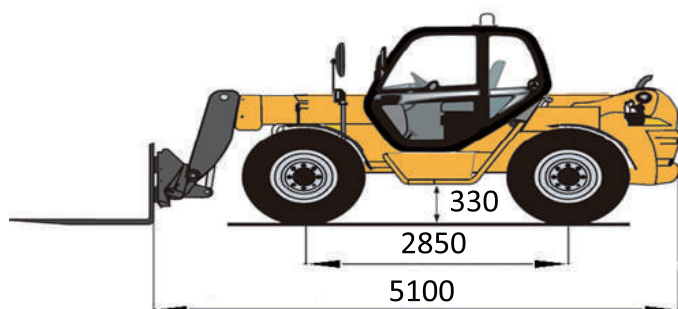
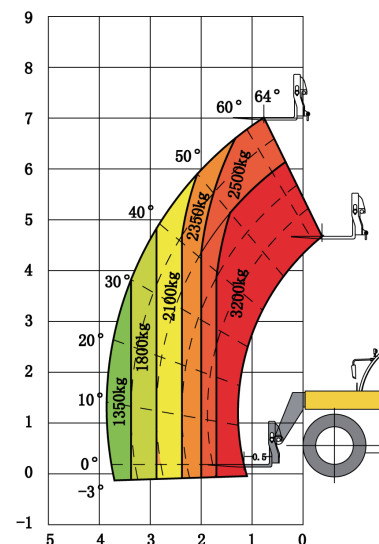
Weight

Total vehicle cube weight(with forks)	7600kg
---------------------------------------	--------

The available attachments include but not limited to the following

Hook	
Forks	
Winch	
Bucket	
Basket	
Log clamp	
Workplatform	
Cylinder clamp	

Range of motion GTH-XT3207K with stabilizers up



SOLID TO SUCCEED

The print does not belong to the contract, nor a part of the vehicle purchase contract. We reserve the right to revise the product model, parameters, configuration based on the continuous improvement requirements of the product, without prior notice. Pictures are for reference only, and the specific product shall depend on the real product.