

C600

Specifications



Lifting capacity single circuit:	600 kg
Lifting capacity double circuit:	300 kg
Rotation range:	Endless, with four locking positions
Tilting range:	90° with six locking positions
Machine weight:	30 kg
Suction cup dimensions:	800 x 480 mm
Machine height:	200 mm
Battery:	12VDC, 9Ah

C600

Specifications

The vacuum lifter for glass up to 600 kg single circuit. Standard equipped with a double circuit for loads up to 300 kg. The machine itself weighs just 30 kg.

All our products are designed in close cooperation with users from the field. This results in products that are a class apart when it comes to the details and provide the user with every convenience in daily use.

Unique features

- Can easily be taken out of and put back in vehicle by one person
- Lightweight vacuum lifter with double-circuit
- Machine weight: 30 kg
- Maximum lifting capacity: 300 / 600 kg

Delivered standard with:

- Remote control
- Transport trolley
- Short lifting arm
- Swappable battery system incl. spare battery

Accessories



Battery

Battery charger

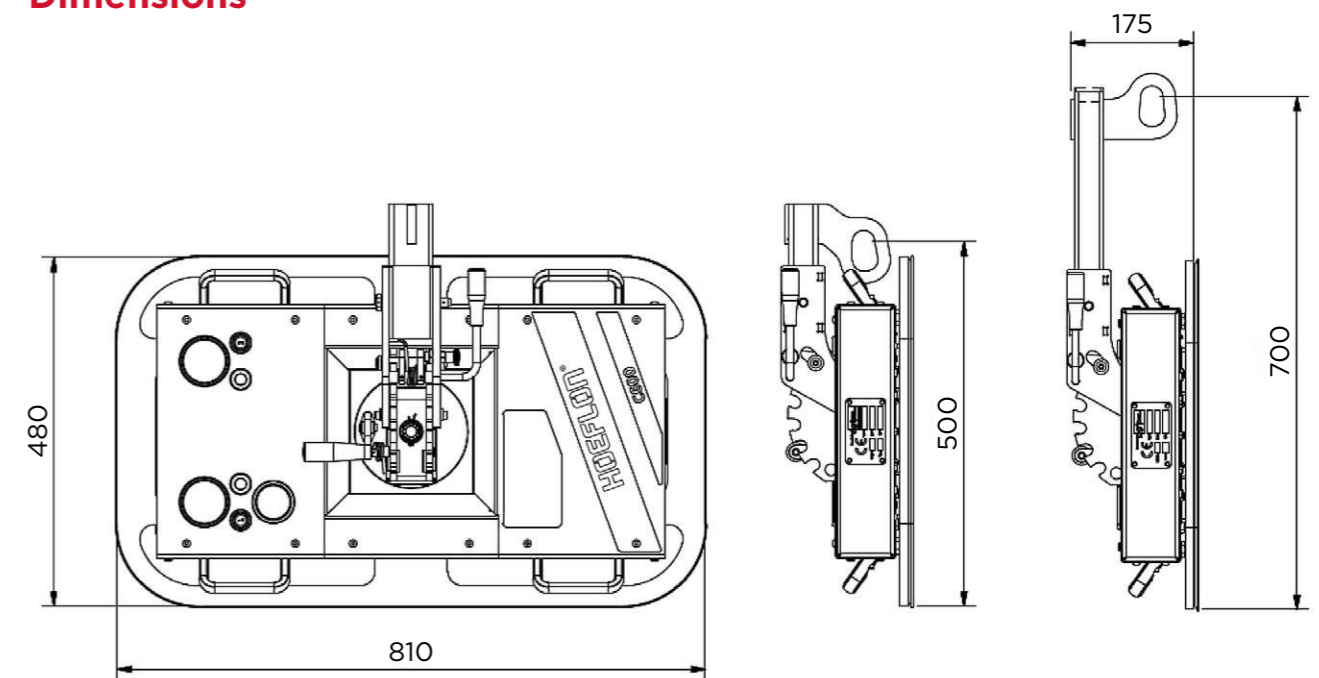
Remote control

Short lifting arm

Specifications

- Angle adjustment specially intended for interior glazing
- Rotation with four locking positions
- Radio remote control of suction and release
- Short lifting arm for interior glazing
- Transport trolley with pneumatic tyres

Dimensions



C600

Specifications

HOEFLON®

Your Hoeflon contact person

Hoeflon machines are functional and offer optimal power and reliability. We offer many possibilities and help you come up with solutions.



Hoeflon International B.V.

Zwolleweg 2

3771 NR Barneveld, NL

T +31 (0)342 400288

info@hoeflon.com

KVK 66408962

BIC ABNANL2 A

BTW NL856539806B01

IBAN NL96ABNA0457114533

www.hoeflon.com